



US00D517827S

(12) **United States Design Patent**
Foster

(10) **Patent No.:** **US D517,827 S**
(45) **Date of Patent:** **** Mar. 28, 2006**

(54) **CHAIR**

(75) Inventor: **Norman Foster**, London (GB)

(73) Assignee: **Poltrona Frau S.p.A.**, Turin (IT)

(**) Term: **14 Years**

(21) Appl. No.: **29/226,636**

(22) Filed: **Mar. 31, 2005**

(30) **Foreign Application Priority Data**

Oct. 1, 2004 (IT) TO2004O0069

(51) **LOC (8) Cl.** **06-01**

(52) **U.S. Cl.** **D6/379; D6/375**

(58) **Field of Classification Search** D6/333,
D6/334, 370, 374, 375, 376, 379, 380, 381,
D6/492, 495, 500-502; 297/232, 411.2, 411.44,
297/445.1, 452.12, 452.19, 452.63
See application file for complete search history.

(56) **References Cited**

U.S. PATENT DOCUMENTS

D36,870 S * 4/1904 Kendall D6/379

D235,297 S * 6/1975 Schuyler D6/492
D467,101 S * 12/2002 Hughes D6/495
D468,126 S * 1/2003 Pappas D6/381
D498,077 S * 11/2004 Tonizzo D6/381
D498,079 S * 11/2004 Messier D6/381
D503,552 S * 4/2005 Messier D6/381

* cited by examiner

Primary Examiner—Mimosa De

(74) *Attorney, Agent, or Firm*—Nixon & Vanderhye P.C.

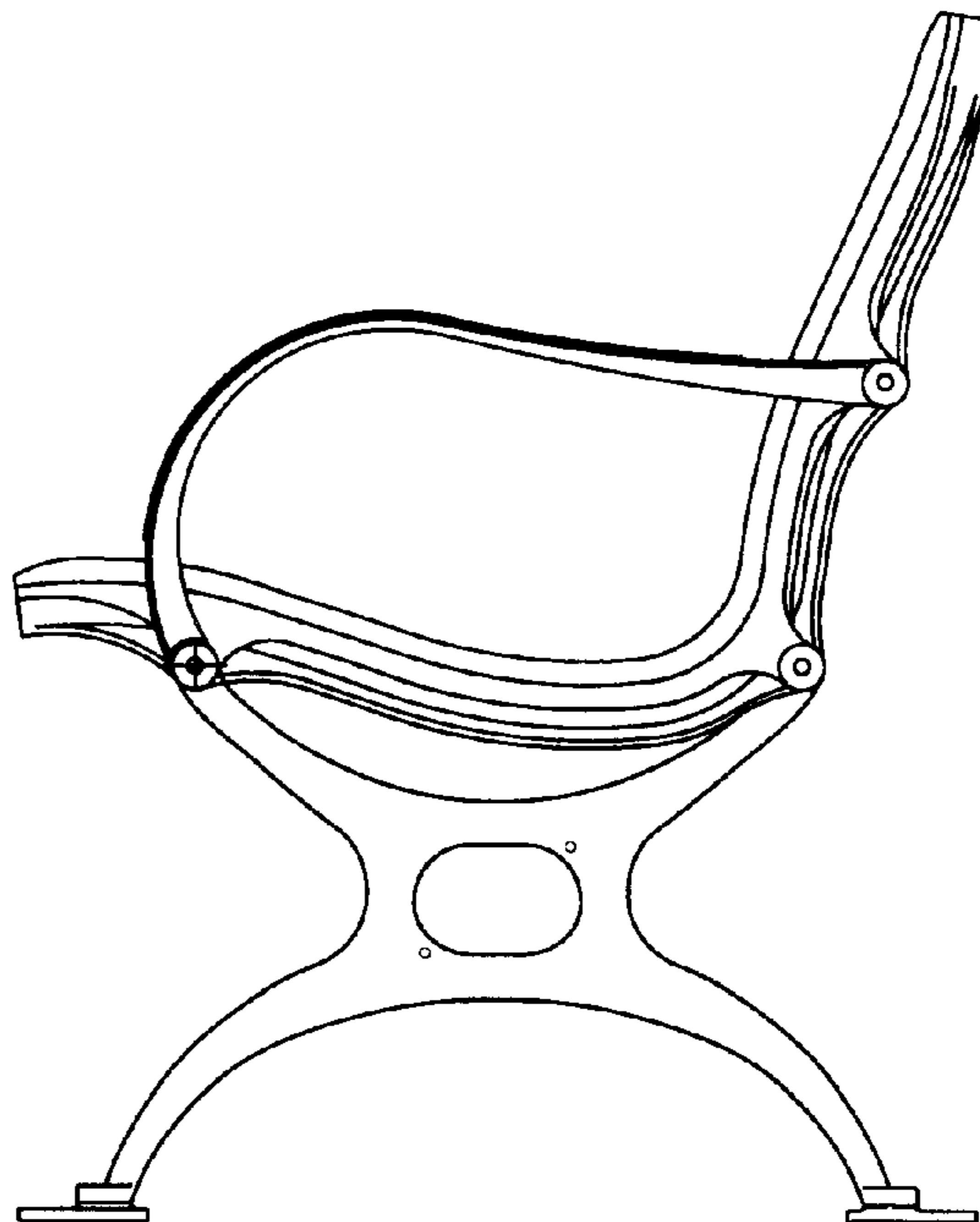
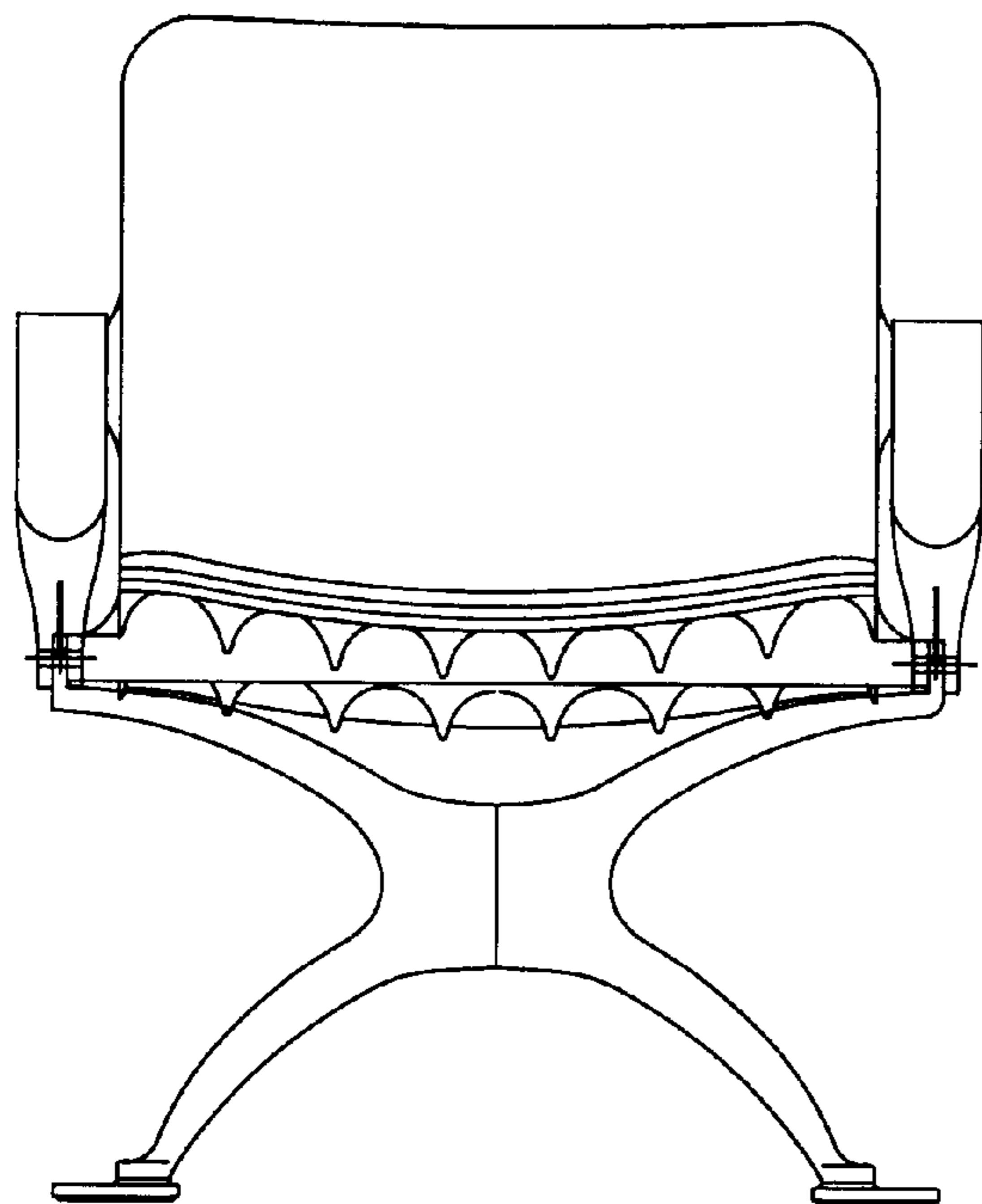
(57) **CLAIM**

The ornamental design for a “chair,” as shown and described.

DESCRIPTION

FIG. 1 is a front elevation of a chair;
FIG. 2 is a rear elevation of a chair;
FIG. 3 is a bottom view of a chair;
FIG. 4 is a top view of a chair; and,
FIG. 5 is a right side elevation of a chair, and the left side elevation is a mirror image thereof.

1 Claim, 2 Drawing Sheets



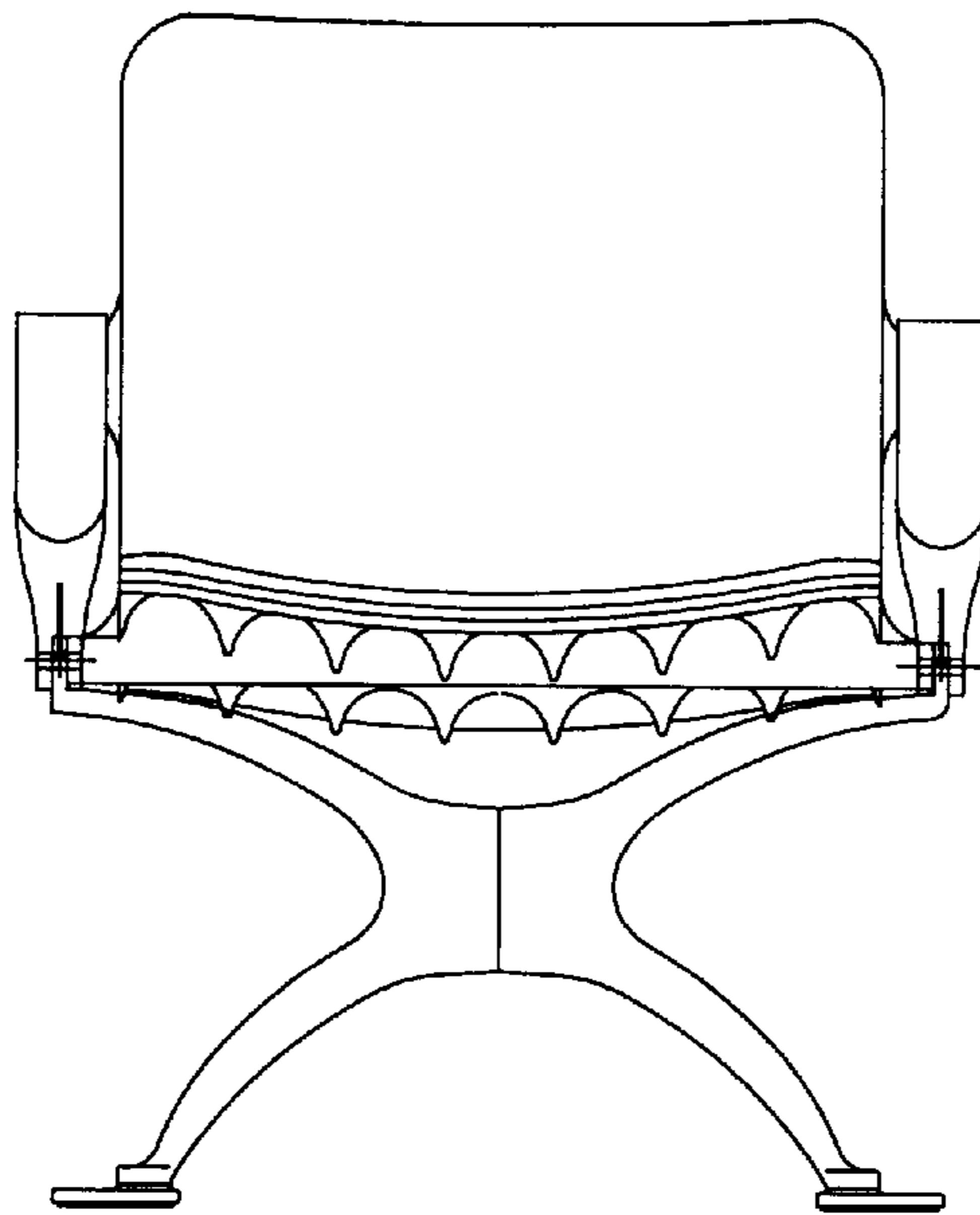


Fig. 1

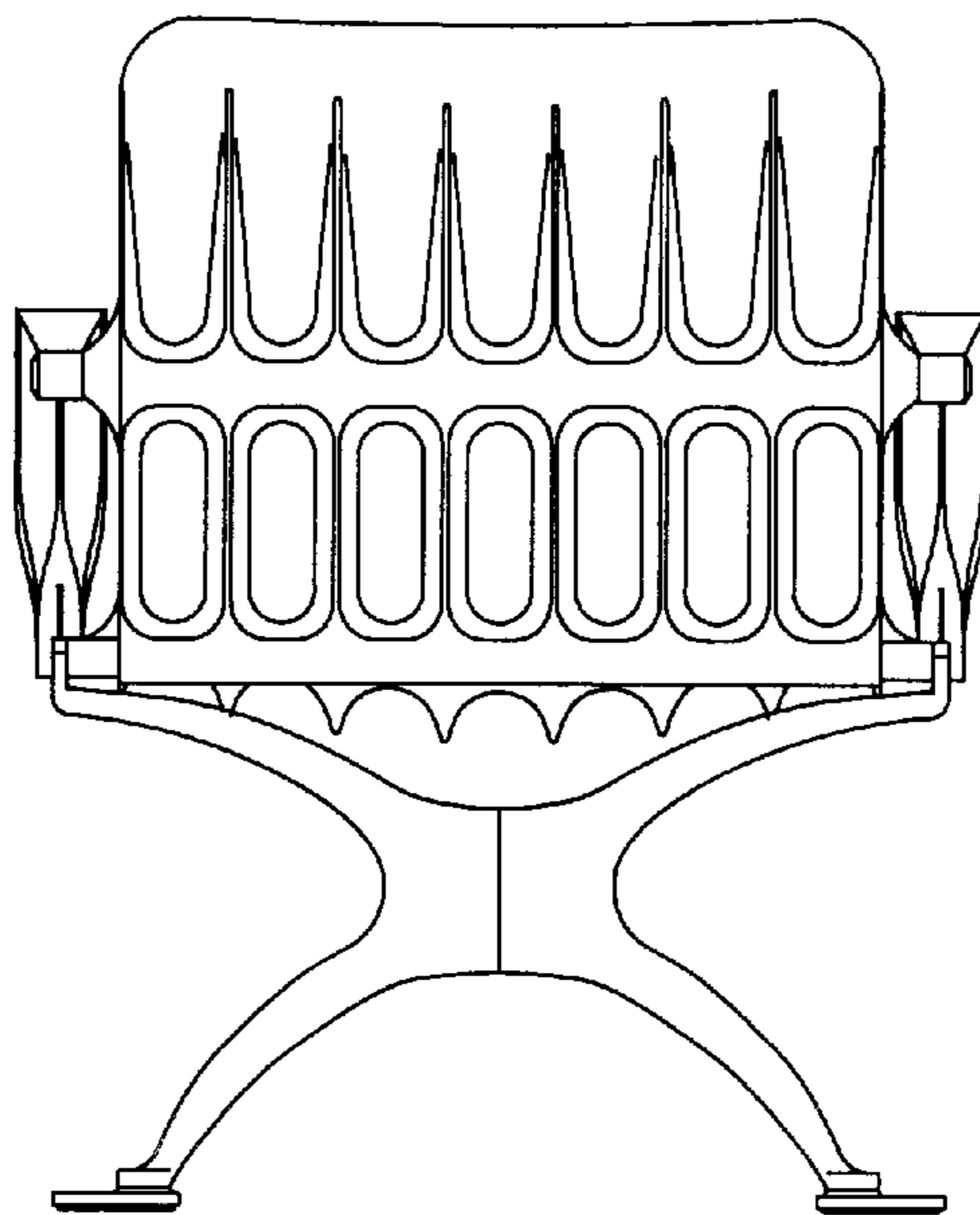


Fig. 2

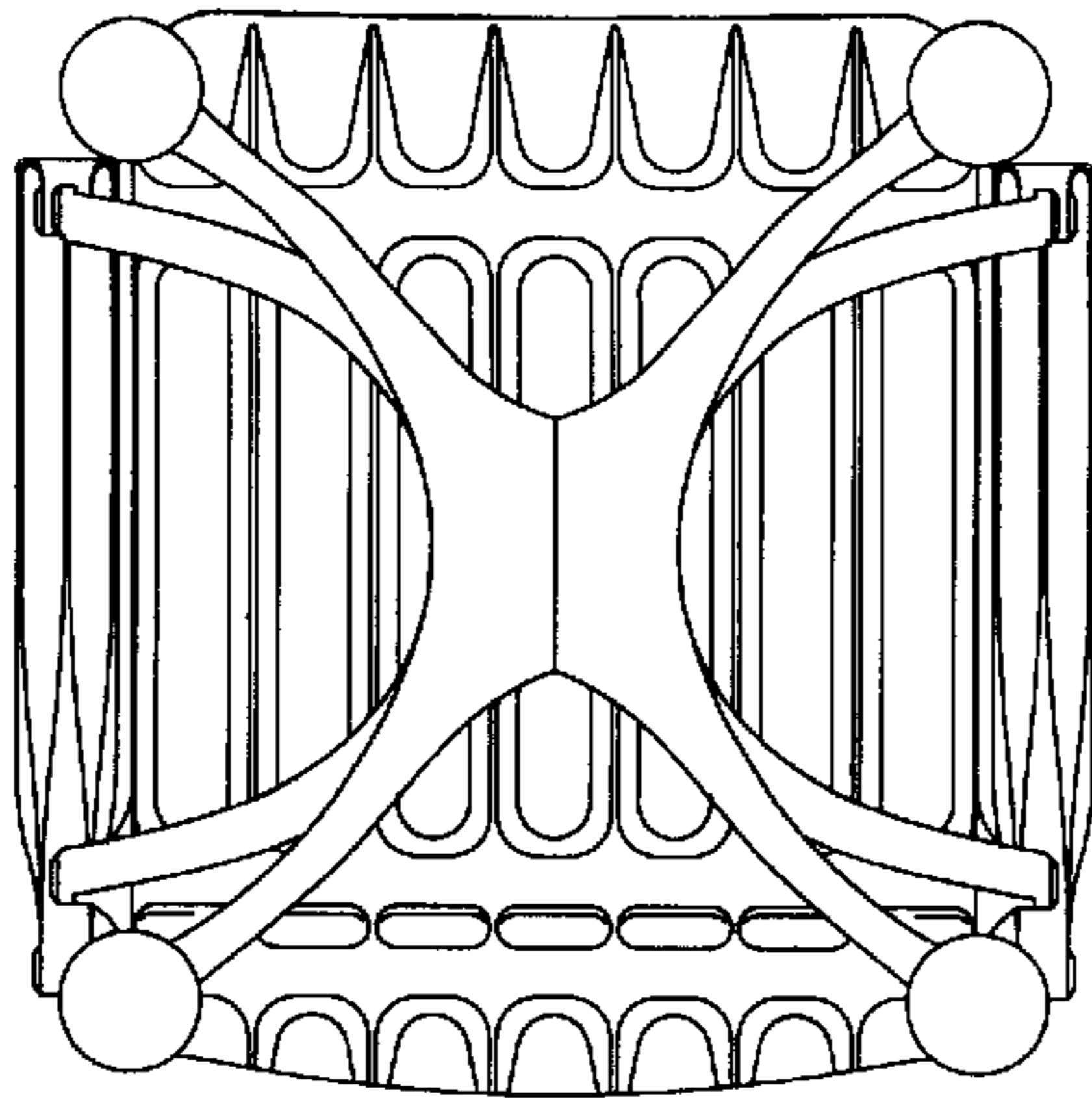


Fig. 3

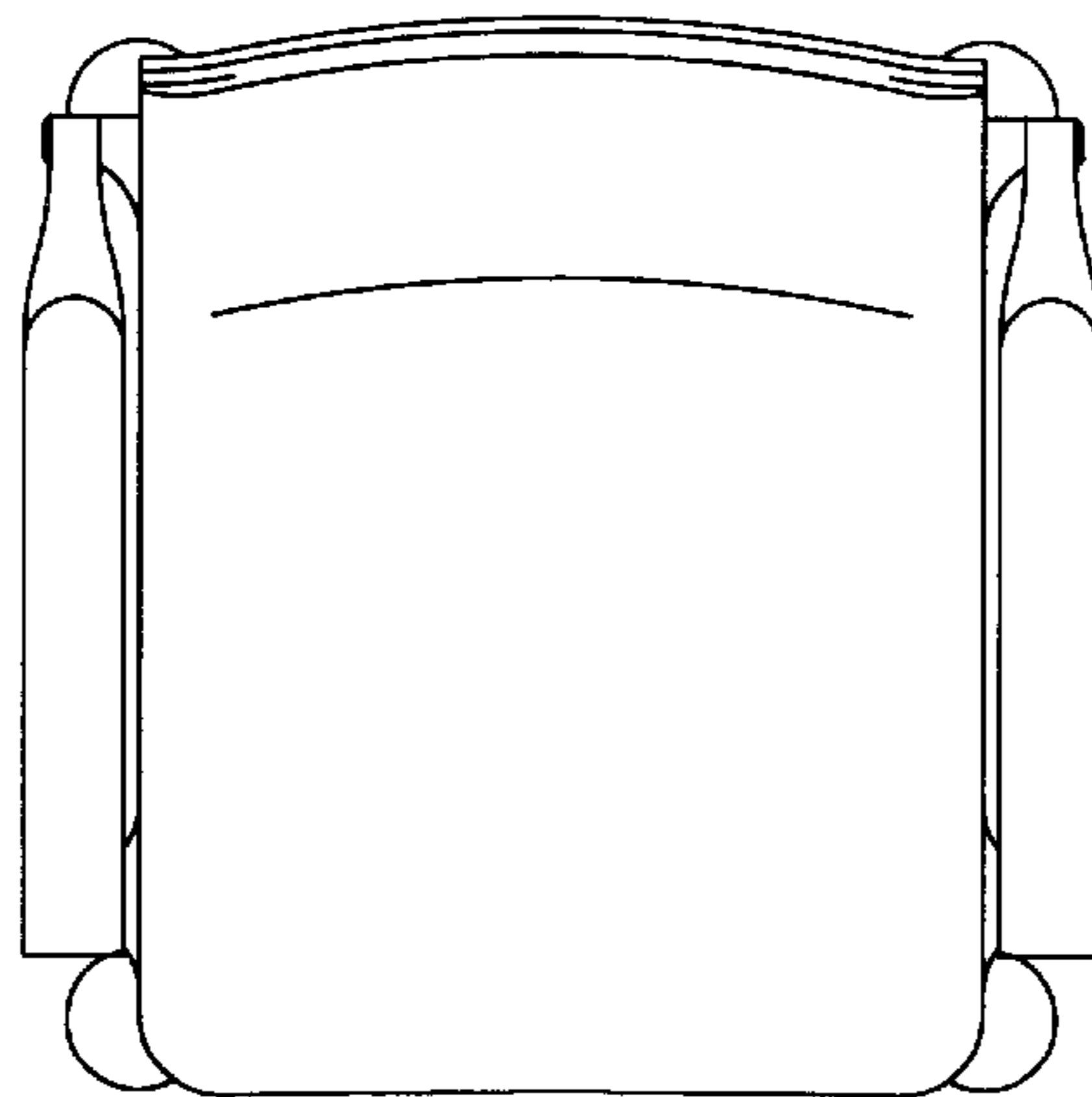


Fig. 4

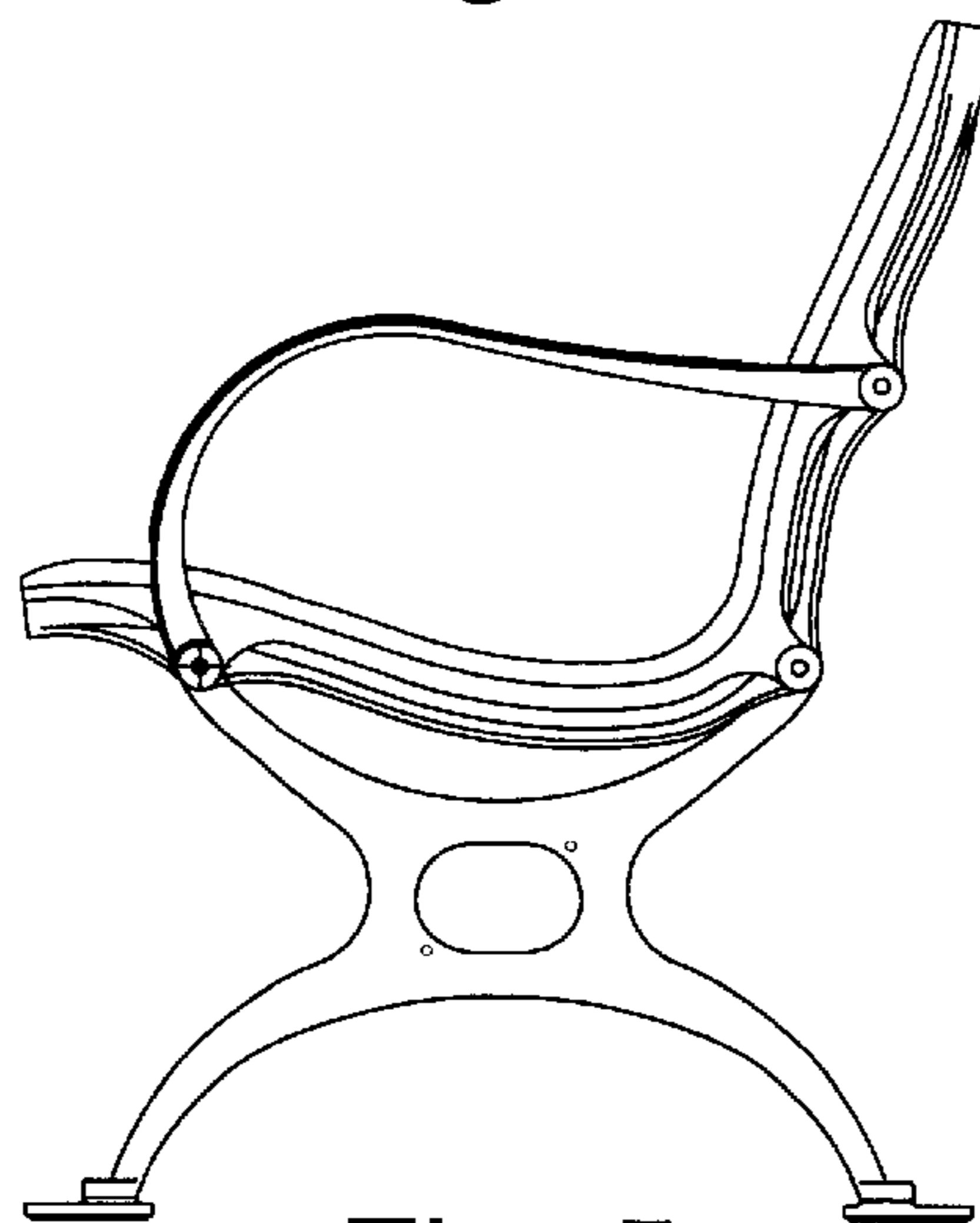


Fig. 5