



US00D517824S

(12) **United States Design Patent**
Pensi

(10) **Patent No.:** **US D517,824 S**

(45) **Date of Patent:** **** Mar. 28, 2006**

(54) **SEAT**

(75) Inventor: **Jorge Pensi**, Lasarte (ES)

(73) Assignee: **Akaba, S.A.**, Lasarte (ES)

(**) Term: **14 Years**

(21) Appl. No.: **29/220,687**

(22) Filed: **Jan. 3, 2005**

(51) **LOC (8) Cl.** **06-01**

(52) **U.S. Cl.** **D6/379; D6/374; D6/380**

(58) **Field of Classification Search** D6/334,
D6/369, 370, 374, 376, 379, 380, 500-502;
297/445.1, 446.1, 411.42, 411.43
See application file for complete search history.

(56) **References Cited**

U.S. PATENT DOCUMENTS

- D239,992 S * 5/1976 Gabourle D6/379
- D454,716 S * 3/2002 Tseng D6/379
- D459,604 S * 7/2002 Piretti D6/380

- D464,209 S * 10/2002 Piretti D6/380
- D464,494 S * 10/2002 Gasca Burges D6/374
- D474,904 S * 5/2003 Ciabatti D6/370
- D482,206 S * 11/2003 Ciabatti D6/376
- D482,540 S * 11/2003 Ashby D6/374

* cited by examiner

Primary Examiner—Mimosa De

(74) *Attorney, Agent, or Firm*—Lucas & Mercanti

(57) **CLAIM**

The ornamental design for a seat, substantially as shown and described.

DESCRIPTION

FIG. 1 is a perspective view of my seat design;
FIG. 2 is a left view of my seat design;
FIG. 3 is a right-side view of my seat design;
FIG. 4 is a front view of my seat design;
FIG. 5 is a back view of my seat design;
FIG. 6 is a top view of my seat design; and,
FIG. 7 is a bottom view of my seat design.

1 Claim, 7 Drawing Sheets

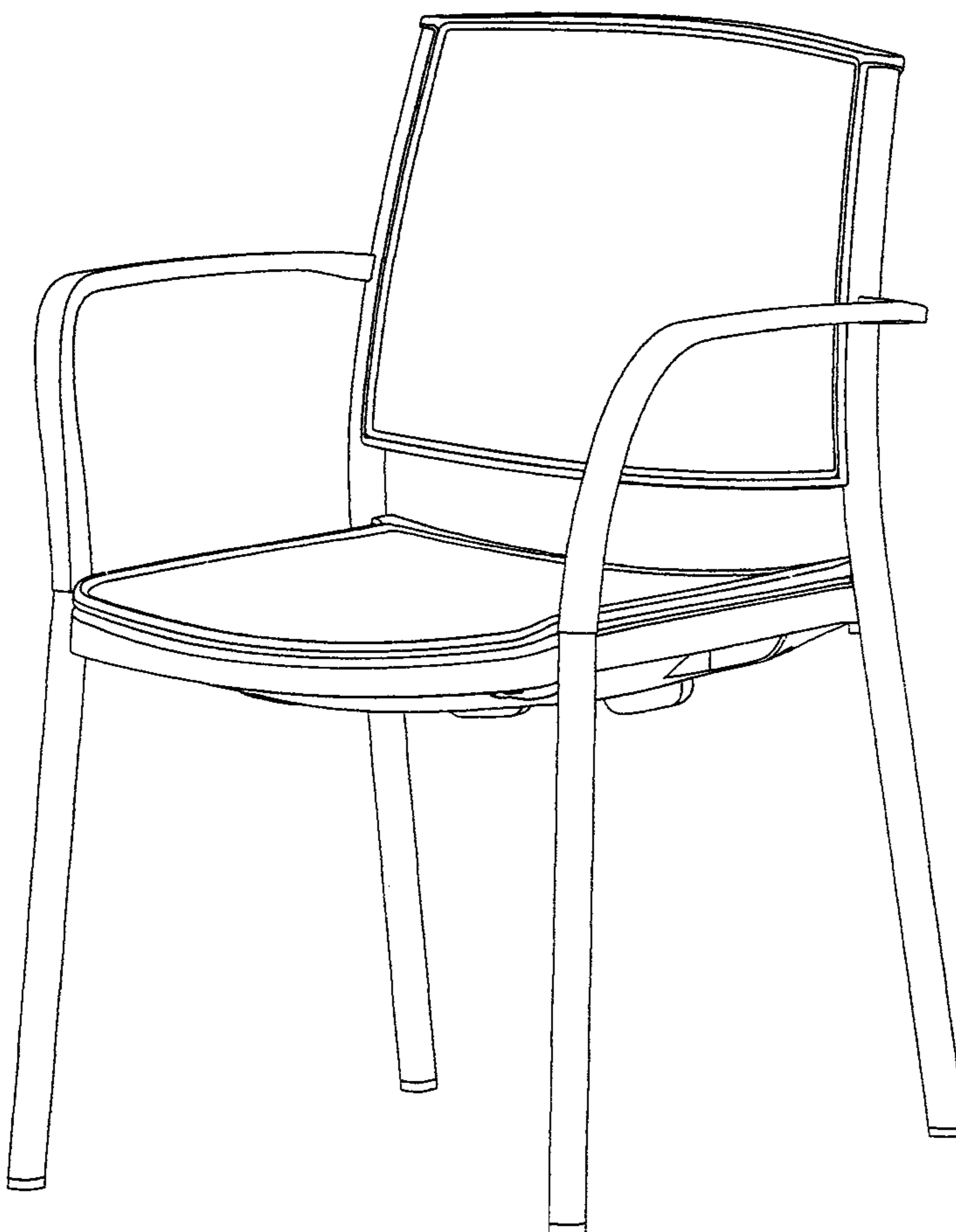


Fig. 1

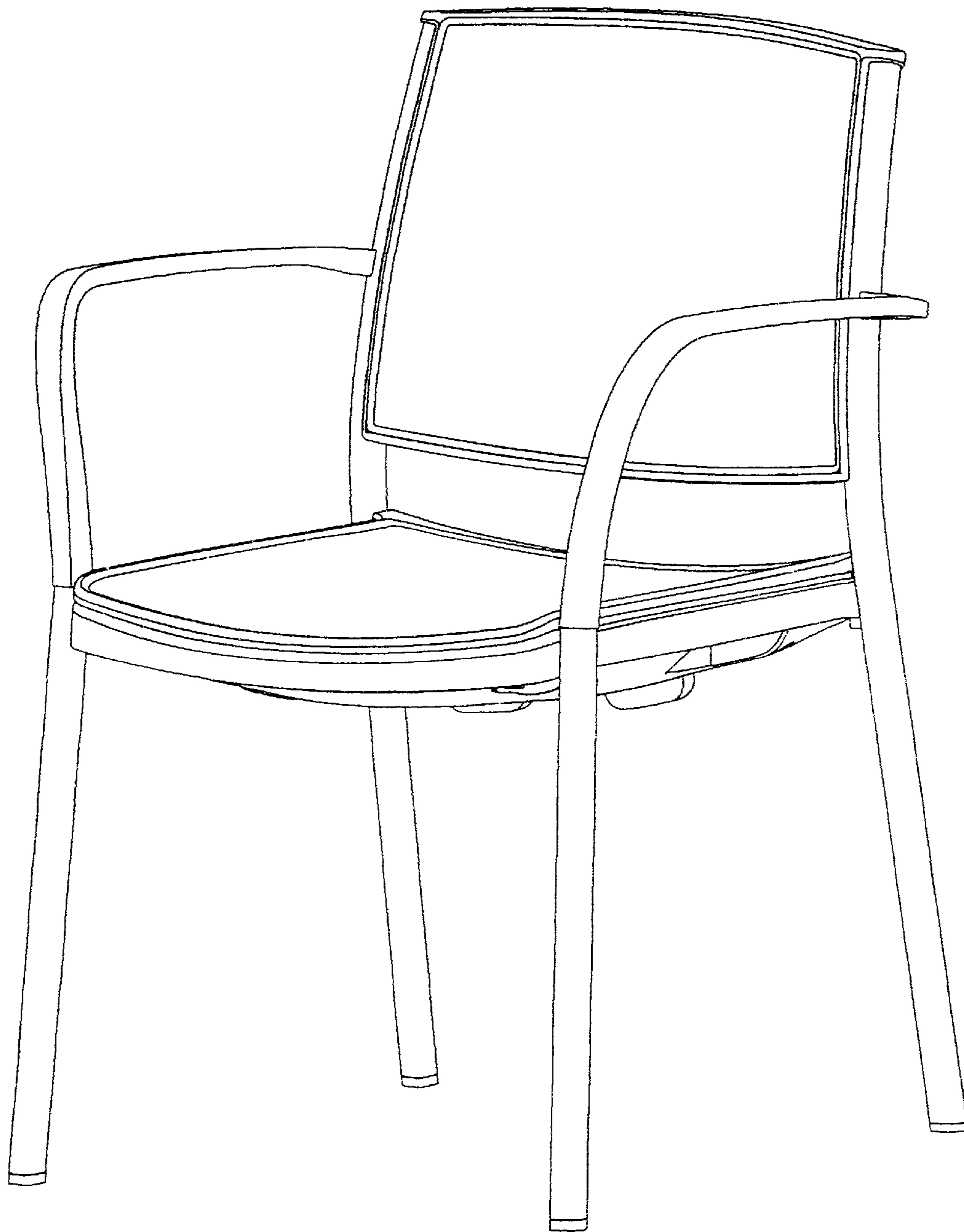


Fig. 2

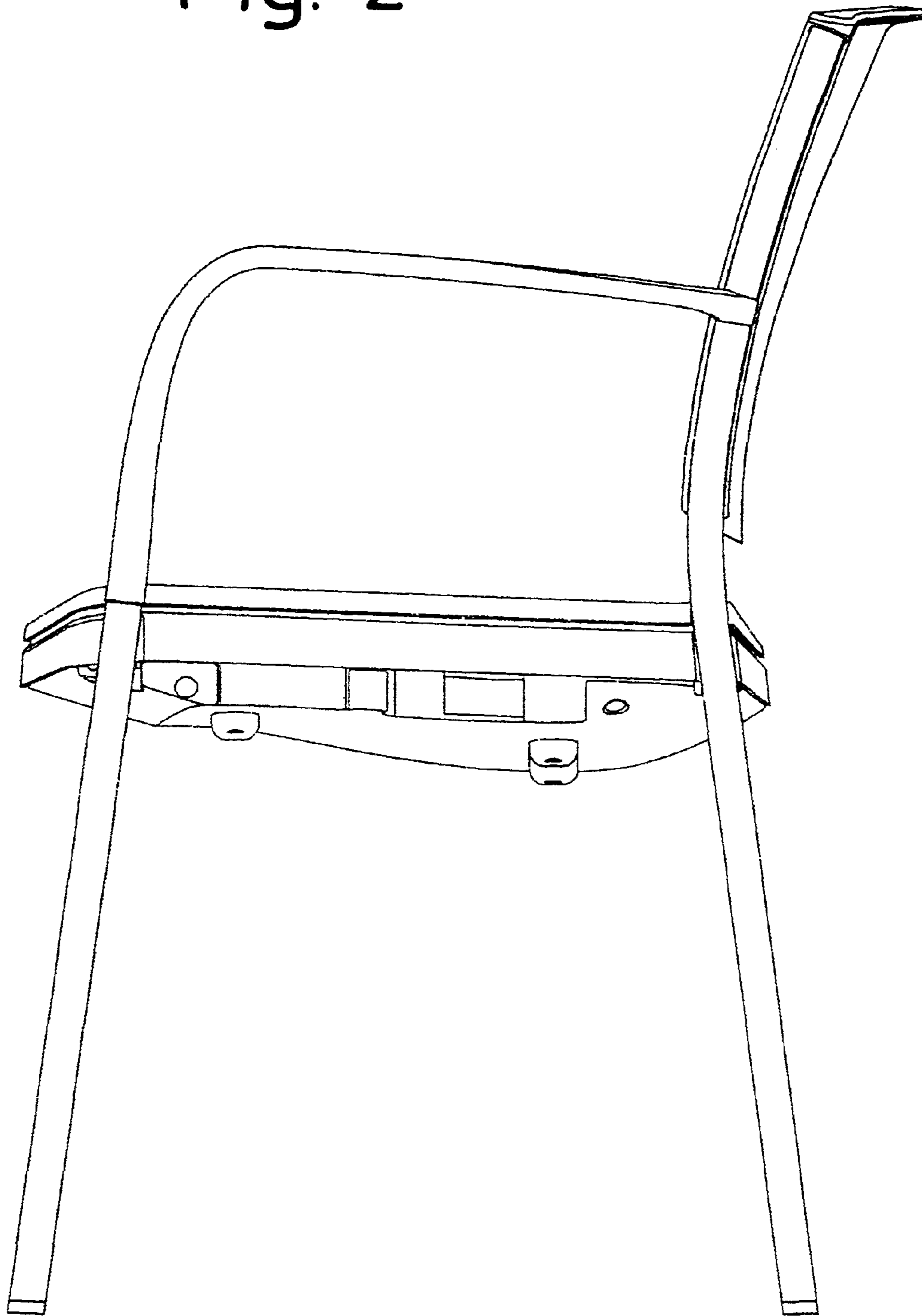


Fig. 3

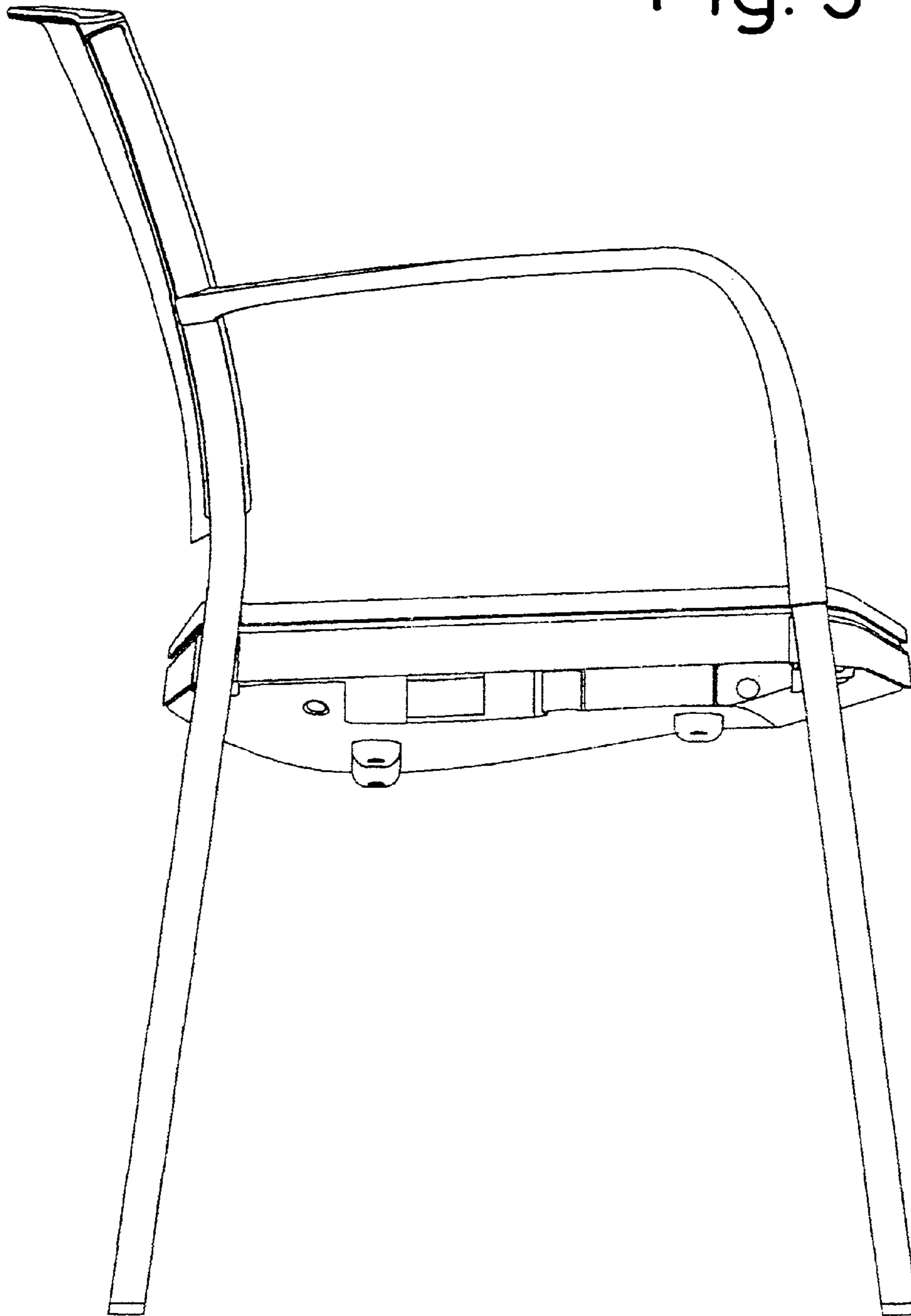


Fig. 4

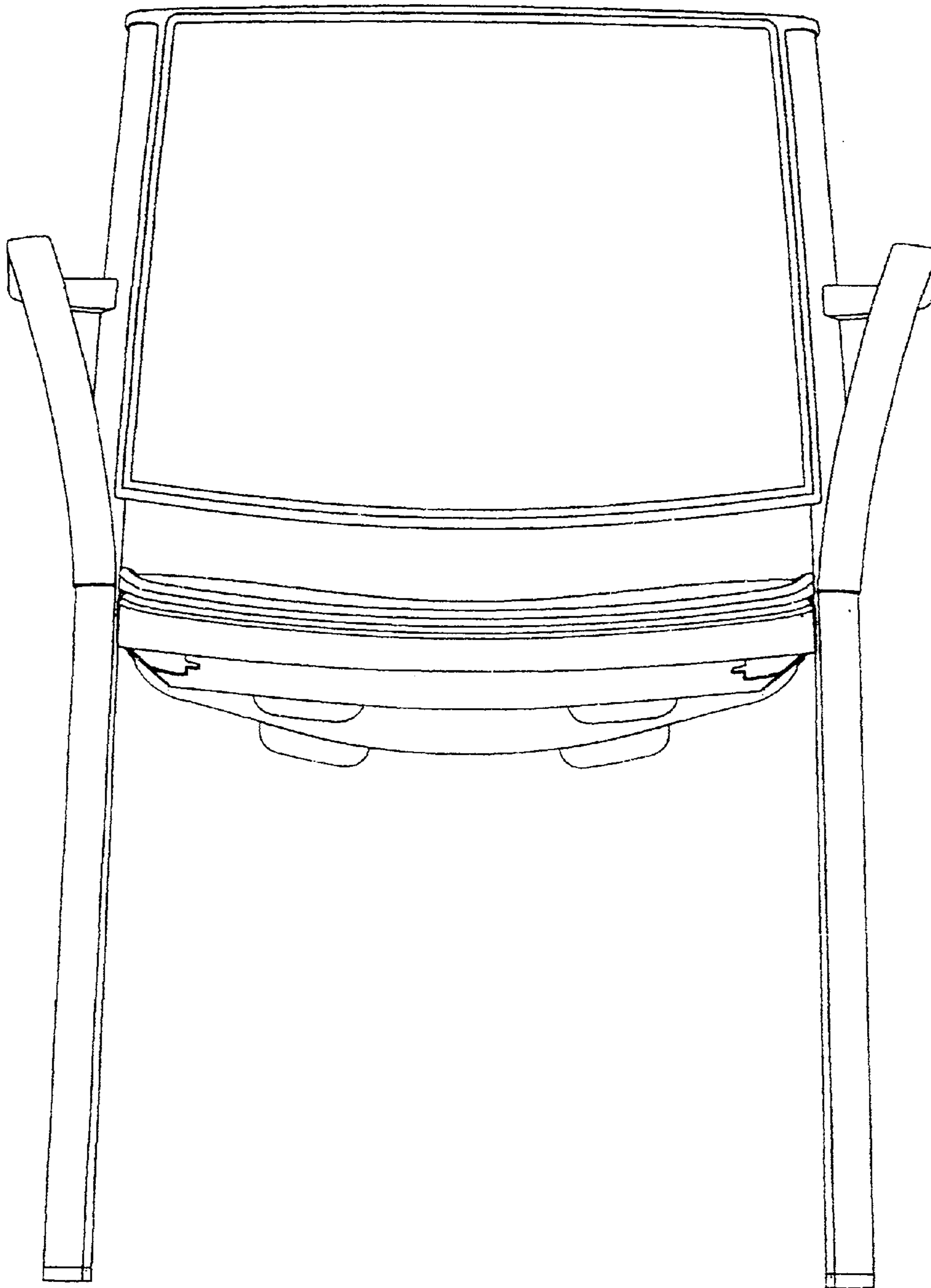


Fig. 5

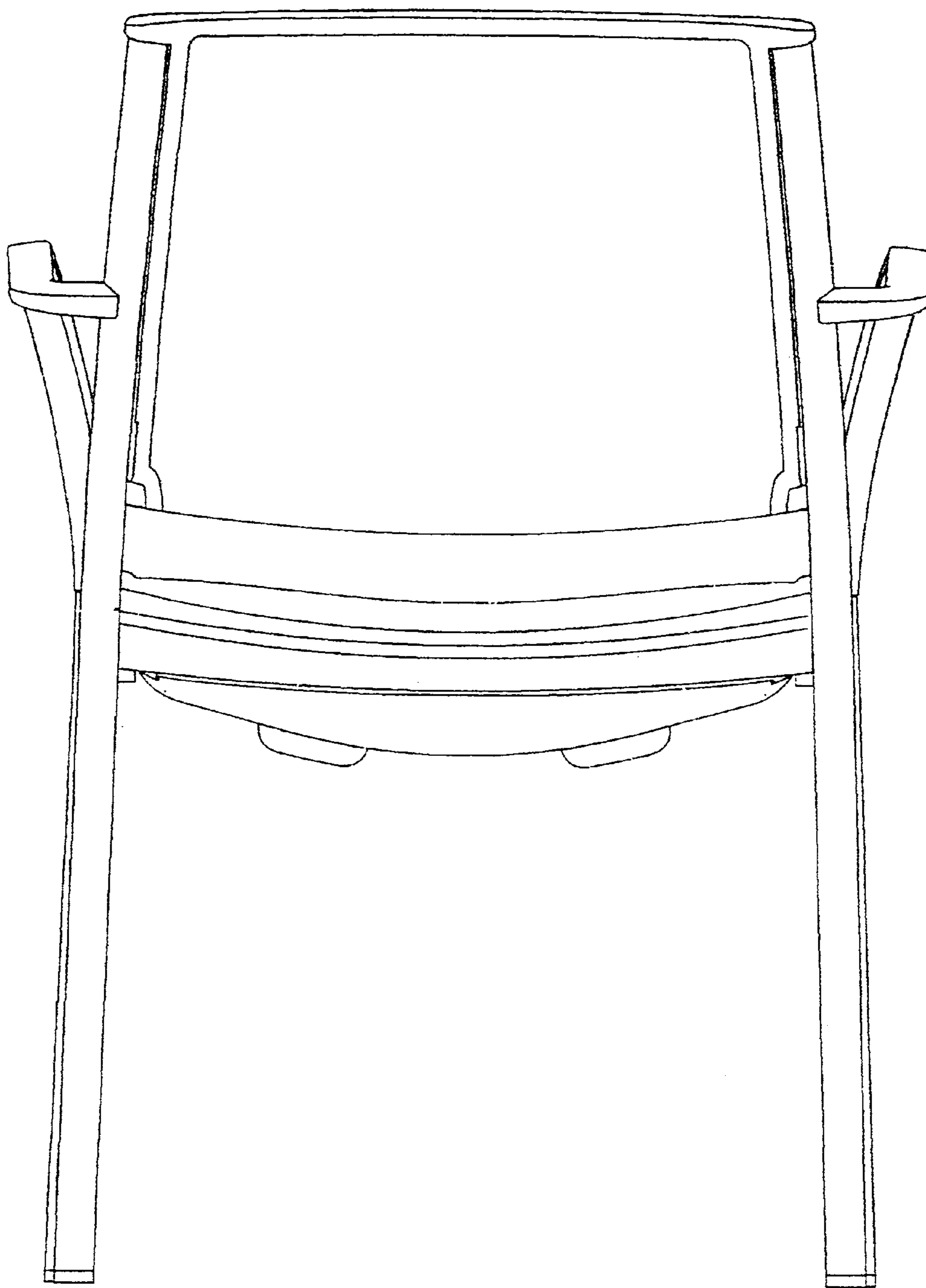


Fig. 6

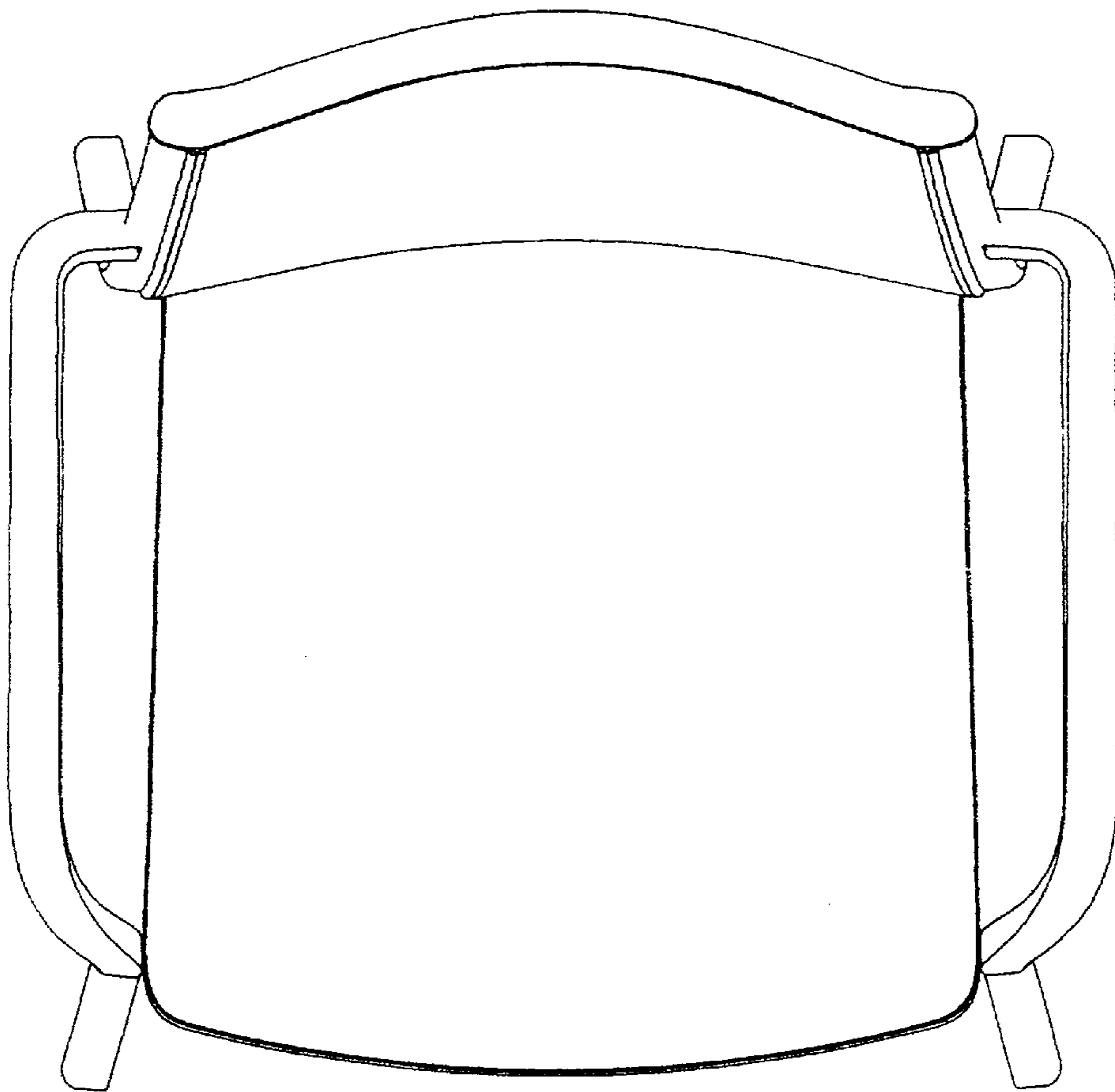


Fig. 7

