



US00D517823S

(12) **United States Design Patent**
Sterner

(10) **Patent No.:** **US D517,823 S**

(45) **Date of Patent:** **** Mar. 28, 2006**

(54) **CHAIR**

(76) **Inventor:** **Paul Ervin Sterner**, 172 E. Burlington St., Riverside, IL (US) 60546

(**) **Term:** **14 Years**

(21) **Appl. No.:** **29/222,550**

(22) **Filed:** **Feb. 1, 2005**

(51) **LOC (8) Cl.** **06-01**

(52) **U.S. Cl.** **D6/372; D6/379; D6/380**

(58) **Field of Classification Search** D6/334,
D6/371, 372, 373, 374, 376, 379, 380, 500-502;
297/445.1, 447.1, 447.3, 448.1, 448.2
See application file for complete search history.

(56) **References Cited**

U.S. PATENT DOCUMENTS

D38,276 S	*	10/1906	Brielmaier	D6/379
D101,570 S	*	10/1936	Varik	D6/379
D137,904 S	*	5/1944	Dieter	D6/372
D227,955 S	*	7/1973	Leib	D6/374
D246,685 S	*	12/1977	Blodee	D6/379
D252,546 S	*	8/1979	Petersen	D6/379
D269,830 S	*	7/1983	Nijhuis	D6/373
D278,286 S	*	4/1985	Lowrey	D6/372

D319,930 S	*	9/1991	Glendinning	D6/370
D327,990 S	*	7/1992	Glendinning	D6/379
D336,792 S	*	6/1993	White, Jr.	D6/379
D365,213 S	*	12/1995	Clark	D6/380

* cited by examiner

Primary Examiner—Mimosa De

(57) **CLAIM**

The ornamental design for a chair, as shown and described herein.

DESCRIPTION

FIG. 1 illustrates a perspective view of a chair in accordance with the present invention.

FIG. 2 illustrates a right hand side view of the chair shown in FIG. 1.

FIG. 3 illustrates a front view of the chair shown in FIG. 1.

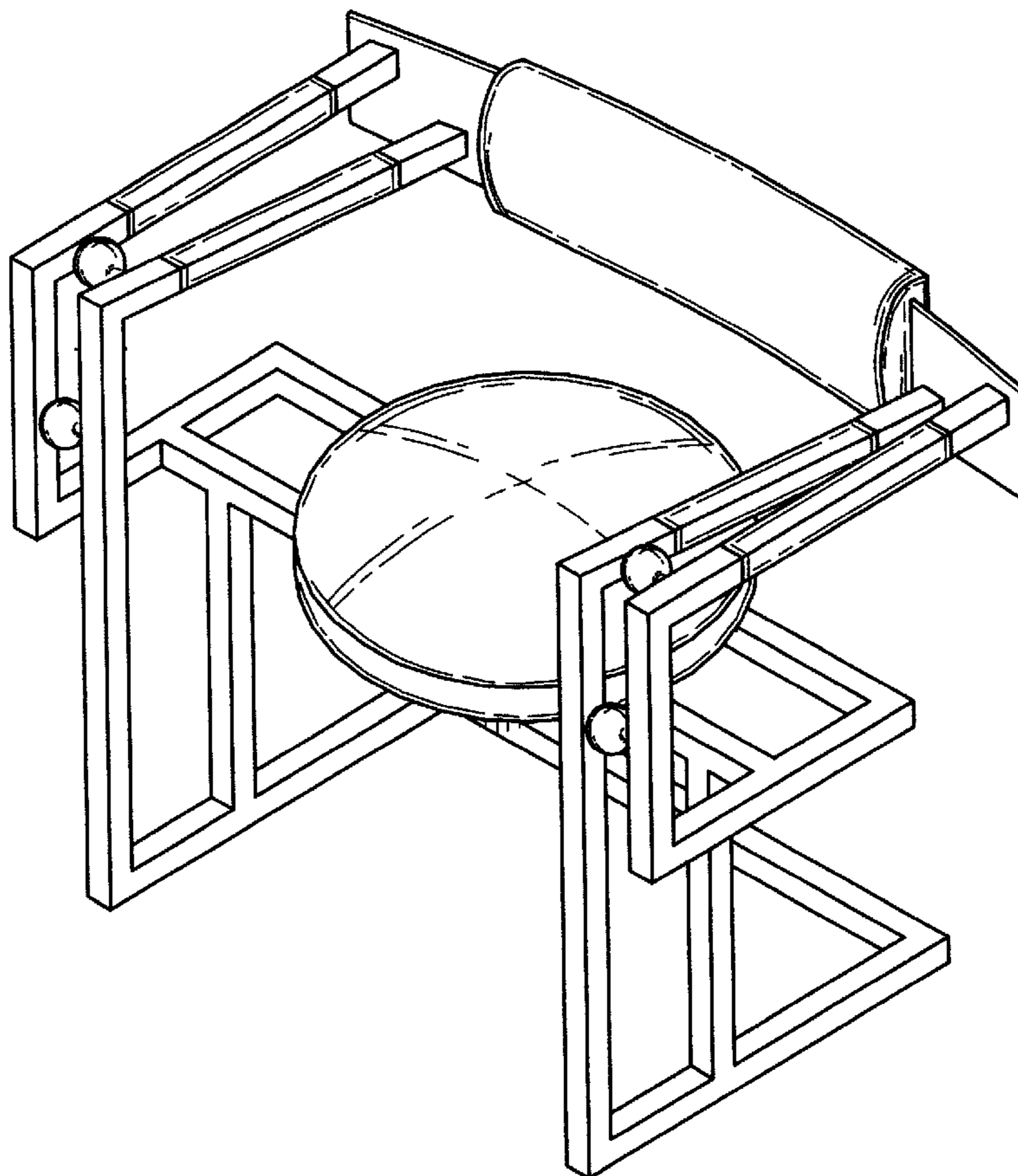
FIG. 4 illustrates a left hand side view of the chair shown in FIG. 1.

FIG. 5 illustrates a back view of the chair shown in FIG. 1.

FIG. 6 illustrates a top view of the chair shown in FIG. 1; and,

FIG. 7 illustrates a bottom view of the chair shown in FIG. 1.

1 Claim, 4 Drawing Sheets



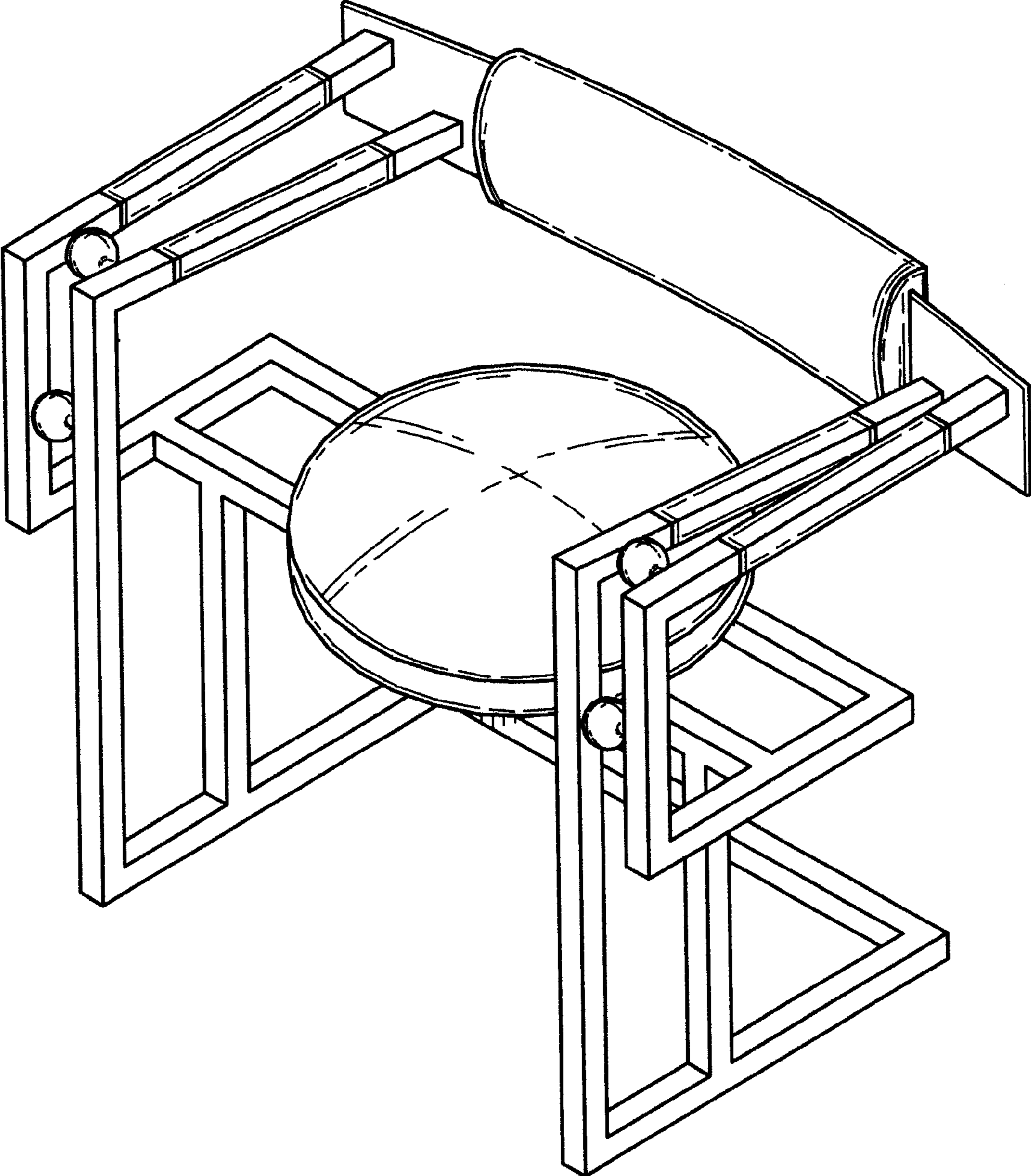


Fig. 1

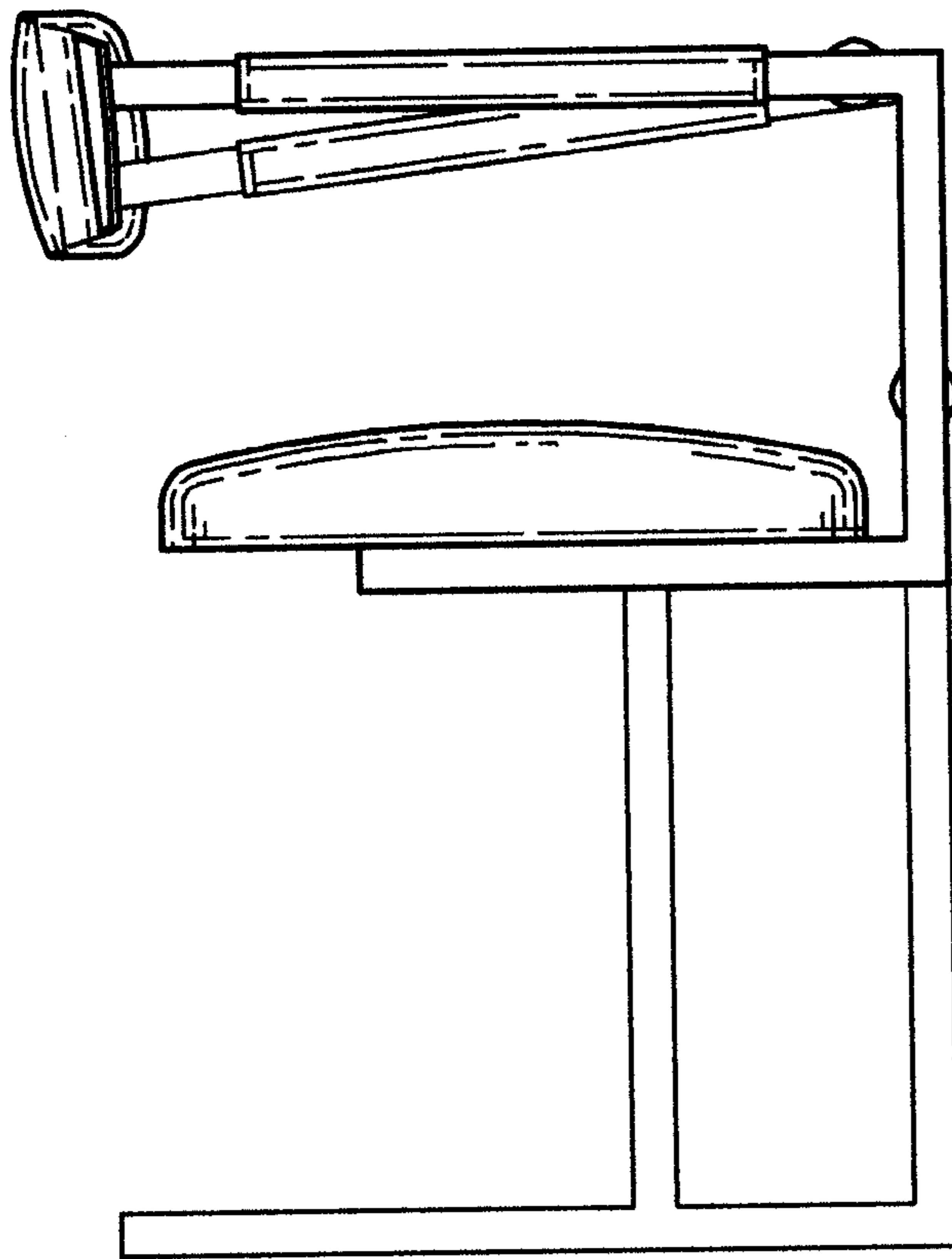


Fig. 2

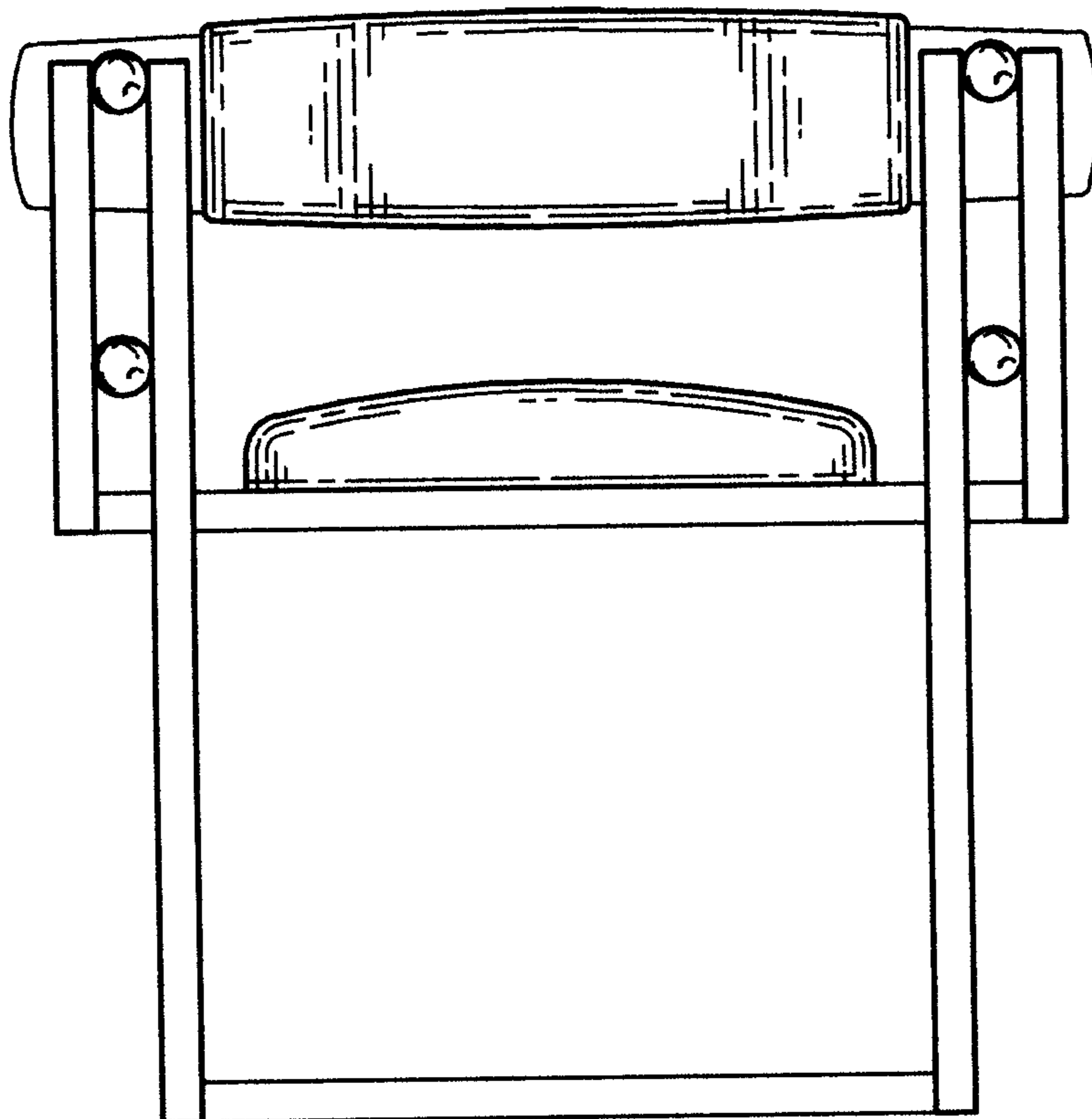


Fig. 3

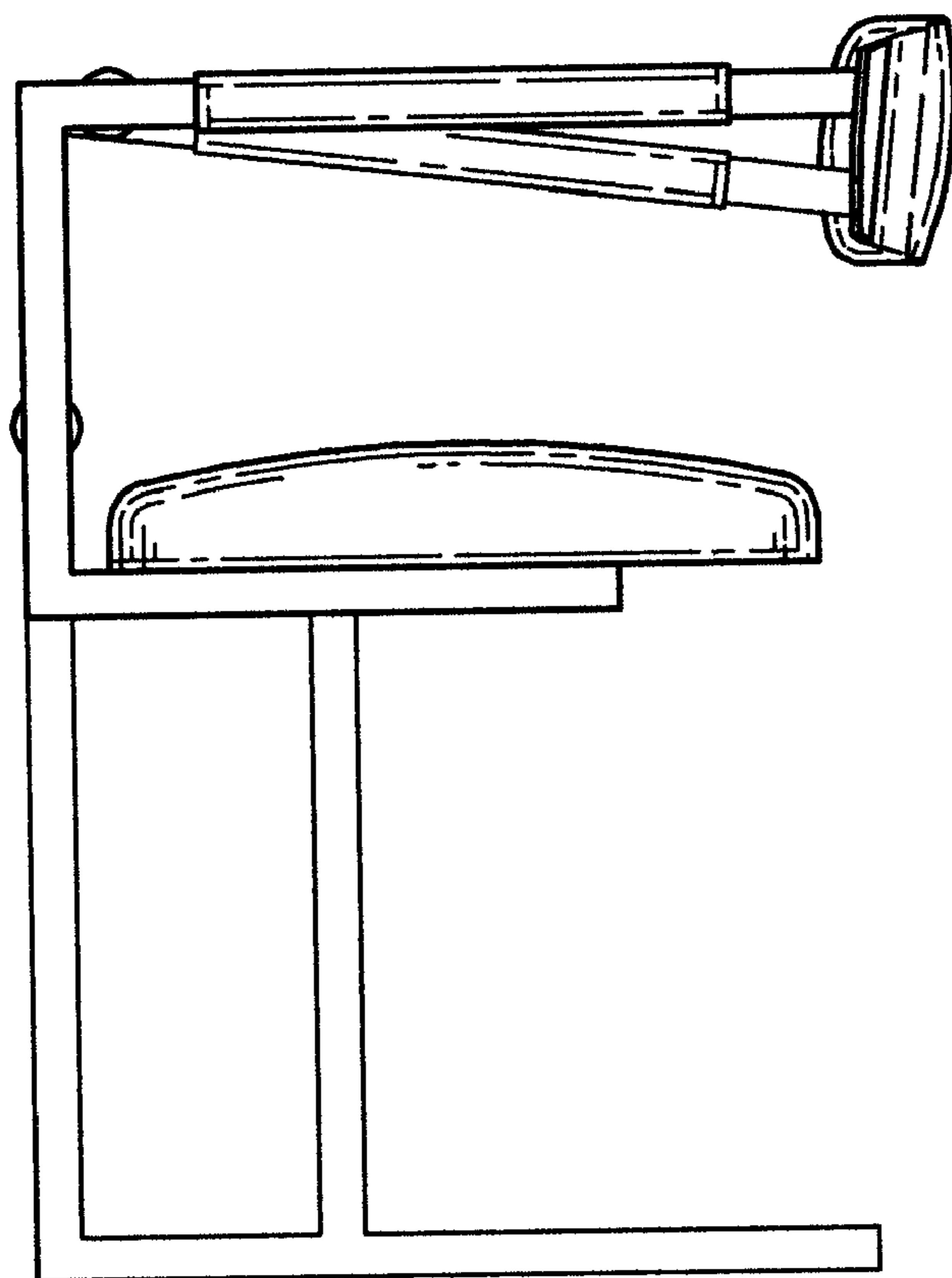


Fig. 4

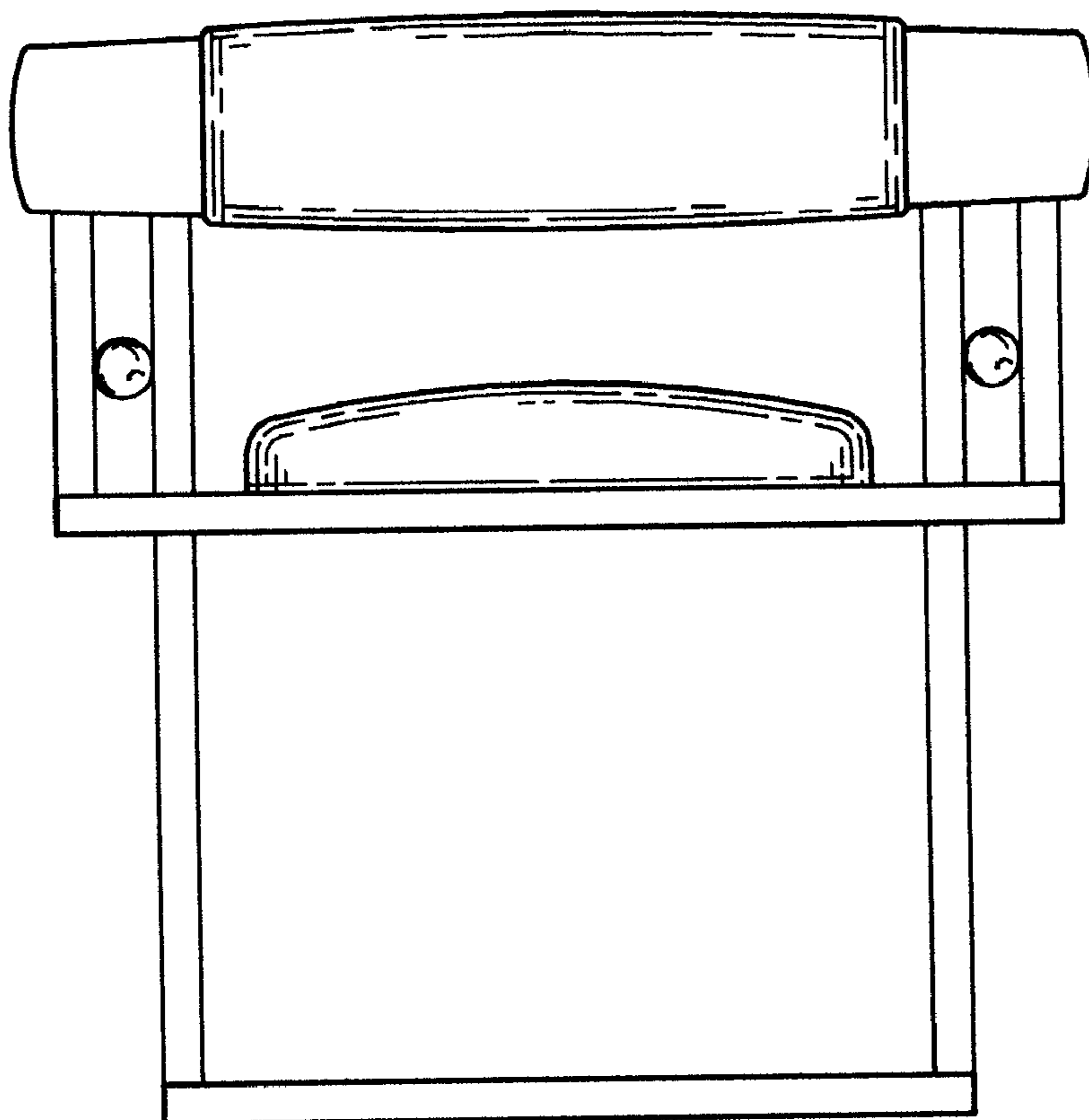


Fig. 5

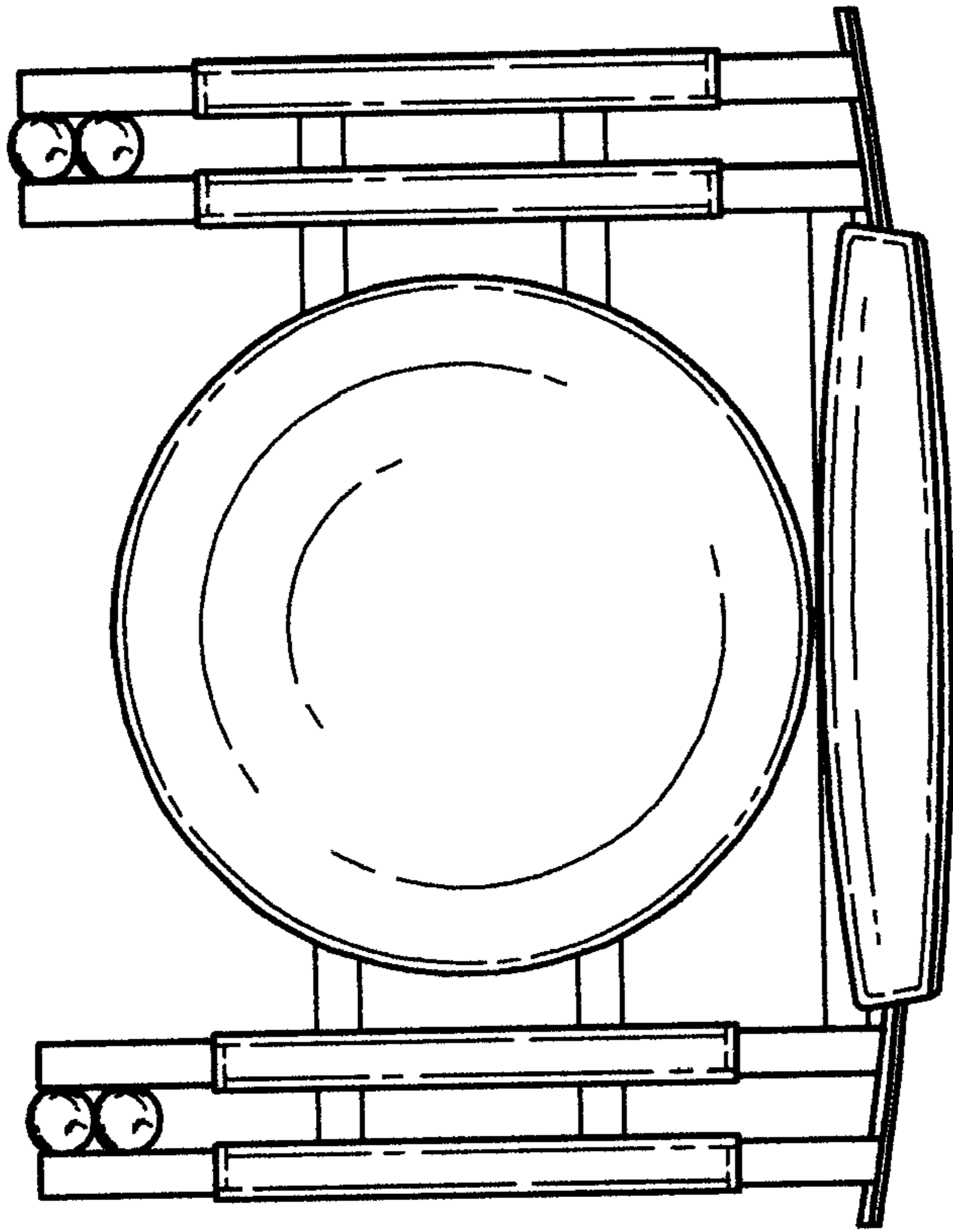


Fig. 6

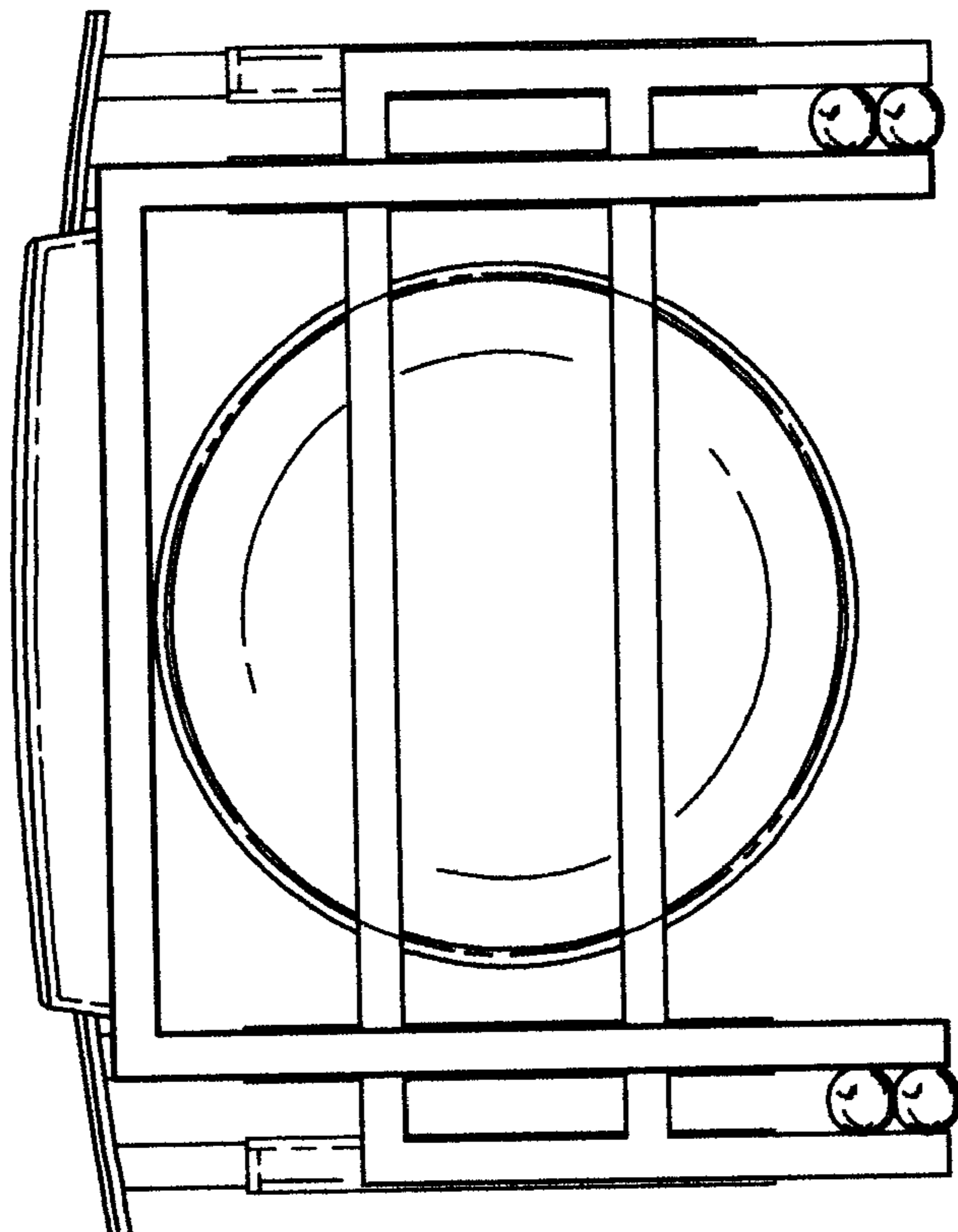


Fig. 7