



US00D517820S

(12) **United States Design Patent**  
**Citterio**

(10) **Patent No.:** **US D517,820 S**  
(45) **Date of Patent:** **\*\* Mar. 28, 2006**

(54) **CHAIR**  
(75) Inventor: **Antonio Citterio**, Milan (IT)  
(73) Assignee: **Vitra Patente AG**, MuttENZ (CH)  
(\*\*) Term: **14 Years**  
(21) Appl. No.: **29/173,152**  
(22) Filed: **Dec. 23, 2002**  
(30) **Foreign Application Priority Data**  
Jun. 28, 2002 (WO) ..... DM/060 919  
(51) **LOC (8) Cl.** ..... **06-01**  
(52) **U.S. Cl.** ..... **D6/366**  
(58) **Field of Classification Search** ..... D6/366,  
D6/334, 335, 364, 365, 367, 368, 500, 501,  
D6/502, 371, 372, 373, 374, 375, 379; 297/411.2,  
297/411.27, 411.28, 411.29, 411.36, 411.42,  
297/445.1, 451.3, 451.7, 447.1, 452.46, 452.42,  
297/463.1  
See application file for complete search history.

D398,163 S \* 9/1998 Desanta ..... D6/366  
D398,464 S \* 9/1998 Cronk ..... D6/500  
D400,018 S \* 10/1998 James et al. .... D6/366  
D401,076 S \* 11/1998 Crinion ..... D6/366  
D403,518 S \* 1/1999 Wilson ..... D6/366  
D407,911 S 4/1999 Brauning  
D410,808 S \* 6/1999 Baumann et al. .... D6/500  
D414,951 S \* 10/1999 Breen ..... D6/366  
D416,407 S \* 11/1999 Baumann et al. .... D6/500  
D417,101 S \* 11/1999 DeSanta et al. .... D6/500  
D420,224 S \* 2/2000 Olson ..... D6/366  
D420,540 S \* 2/2000 Baumann et al. .... D6/500  
D434,918 S \* 12/2000 Arko et al. .... D6/366  
D435,737 S \* 1/2001 Hines et al. .... D6/366  
D436,768 S \* 1/2001 Jenkins et al. .... D6/500

(Continued)

**FOREIGN PATENT DOCUMENTS**

WO DM023990 9/1992  
WO DM031041 10/1994  
WO DM037662 9/1996

**OTHER PUBLICATIONS**

Steno chair, ECK Adams brochure (cover).\*

*Primary Examiner*—T. Chase Nelson  
(74) *Attorney, Agent, or Firm*—McCarter & English, LLP

(56) **References Cited**  
**U.S. PATENT DOCUMENTS**

D268,233 S 3/1983 Stephens  
D274,483 S \* 7/1984 Caruso ..... D6/366  
D296,394 S 6/1988 Chadwick et al.  
D306,531 S \* 3/1990 Snodgrass ..... D6/366  
D330,808 S \* 11/1992 Citterio ..... D6/366  
D340,589 S \* 10/1993 Chu ..... D6/366  
D358,064 S \* 5/1995 Larkin ..... D6/366  
D358,944 S 6/1995 Citterio  
5,476,306 A \* 12/1995 Golynsky ..... 297/463.1  
D369,028 S \* 4/1996 Jaeger ..... D6/366  
D369,259 S \* 4/1996 Breen ..... D6/500  
D369,917 S \* 5/1996 Beaulieu ..... D6/366  
5,513,898 A \* 5/1996 Kanai et al. .... 297/411.2  
D372,595 S 8/1996 Schultz et al.  
5,542,743 A \* 8/1996 Olson et al. .... 297/411.27  
5,615,926 A \* 4/1997 Kanai et al. .... 297/411.27  
D381,525 S 7/1997 James  
D388,258 S \* 12/1997 Ambasz ..... D6/366  
D390,712 S 2/1998 Koepke et al.

(57) **CLAIM**  
The ornamental design for a chair, as shown and described.

**DESCRIPTION**

FIG. 1 is a front perspective view of a first embodiment of a chair;  
FIG. 2 is a front elevational view thereof;  
FIG. 3 is a rear elevational view thereof;  
FIG. 4 is a right side elevational view thereof;  
FIG. 5 is a left side elevational view thereof;  
FIG. 6 is a top plan view thereof;  
FIG. 7 is a bottom plan view thereof; and,  
FIG. 8 is a front perspective view of a second embodiment of the chair of FIG. 1, which it is identical except that it lacks armrests.

**1 Claim, 7 Drawing Sheets**



# US D517,820 S

Page 2

---

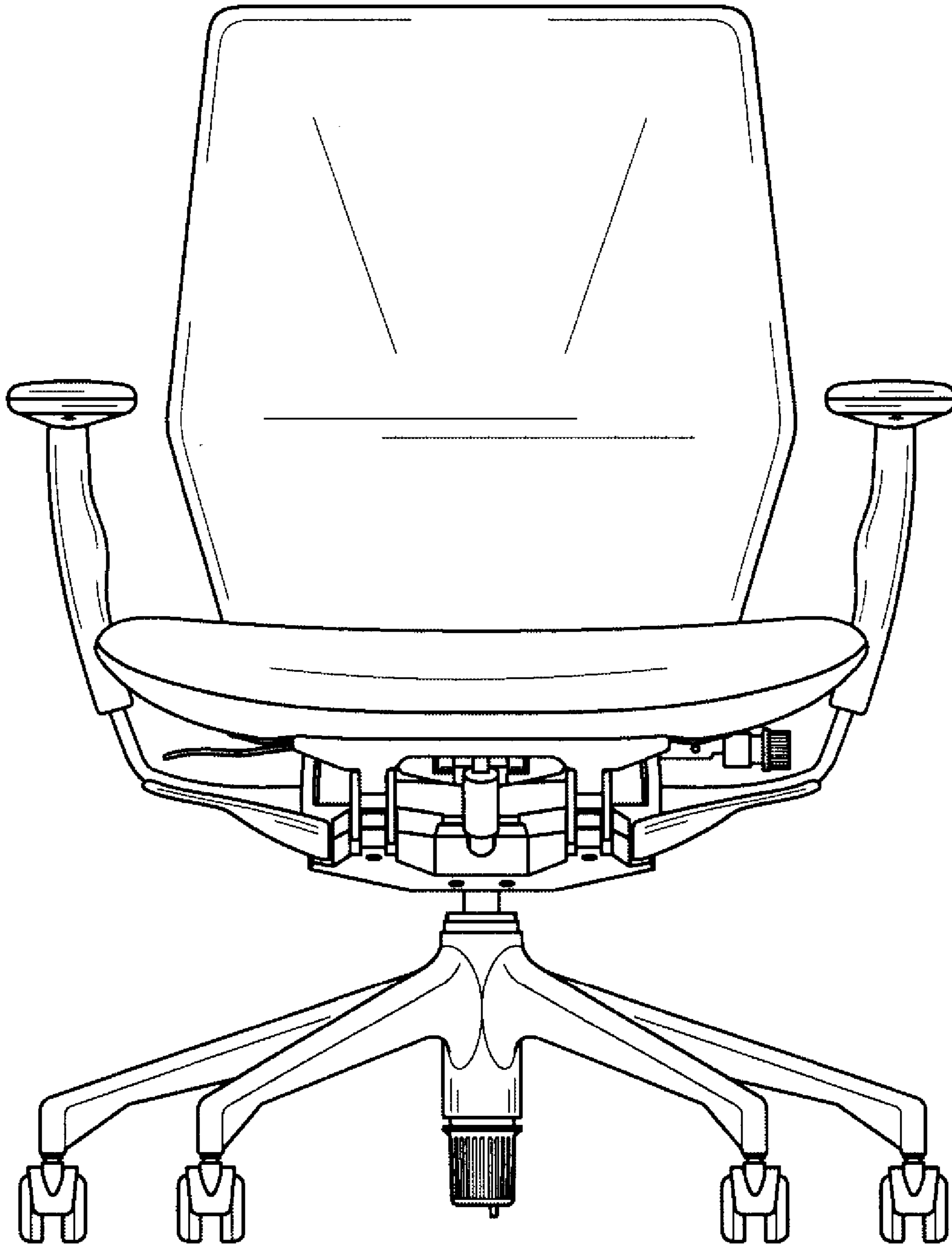
## U.S. PATENT DOCUMENTS

D437,701 S	*	2/2001	Bellini et al. ....	D6/366	D469,618 S	*	2/2003	Nagamitsu .....	D6/366
D440,418 S	*	4/2001	Breen .....	D6/366	D471,024 S	*	3/2003	Chadwick et al. ....	D6/366
D442,791 S	*	5/2001	Simons et al. ....	D6/366	D473,726 S	*	4/2003	Schaefer et al. ....	D6/366
D444,309 S	*	7/2001	Nagamitsu .....	D6/366	D474,346 S	*	5/2003	Saylor et al. ....	D6/366
D445,579 S	*	7/2001	Olson .....	D6/366	6,572,194 B1	*	6/2003	True .....	297/411.2
D445,613 S	*	7/2001	Ginat .....	D6/500	D476,493 S	*	7/2003	Nagamitsu .....	D6/366
D446,033 S	*	8/2001	Koepke et al. ....	D6/366	D476,820 S	*	7/2003	Nagamitsu .....	D6/366
D459,903 S	*	7/2002	Lo .....	D6/366	D477,151 S	*	7/2003	Koepke et al. ....	D6/366
D467,749 S	*	12/2002	Lepper et al. ....	D6/366	D477,469 S	*	7/2003	Brooks .....	D6/366
D468,121 S	*	1/2003	Lepper et al. ....	D6/366	D486,657 S	*	2/2004	Su .....	D6/366
D469,265 S	*	1/2003	Holbrook et al. ....	D6/366	D487,359 S	*	3/2004	Giugiaro .....	D6/366

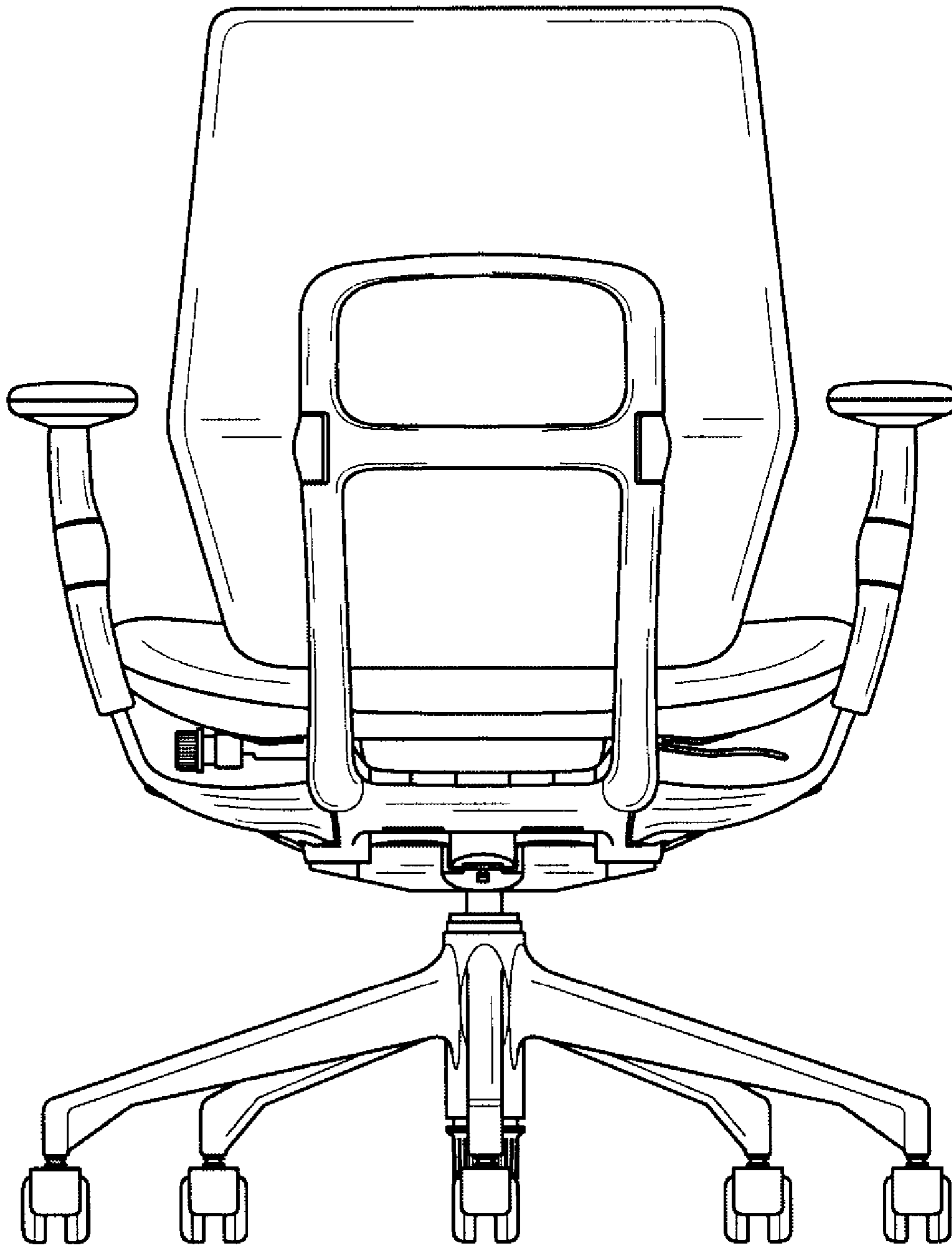
\* cited by examiner



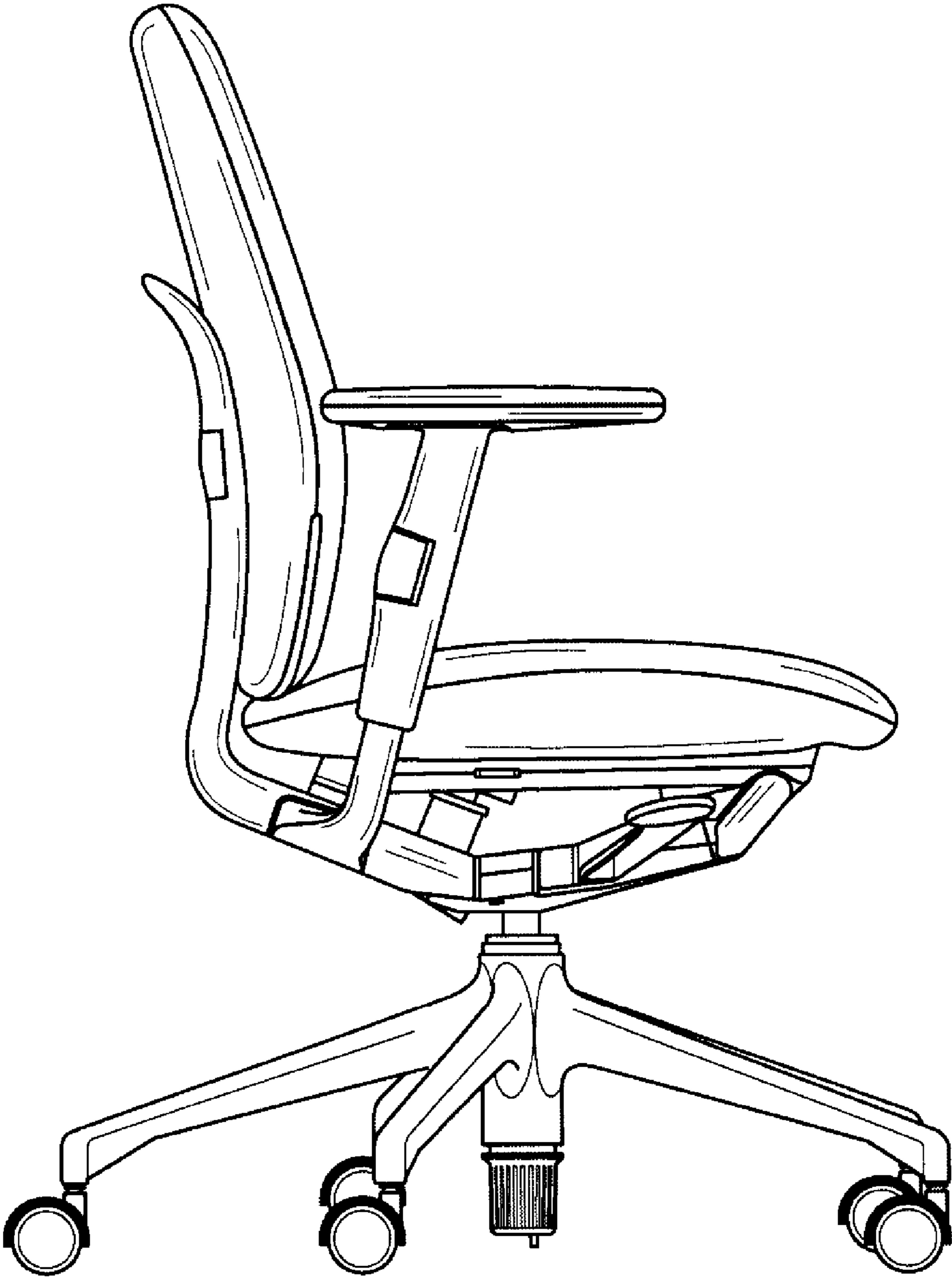
**FIGURE 1**



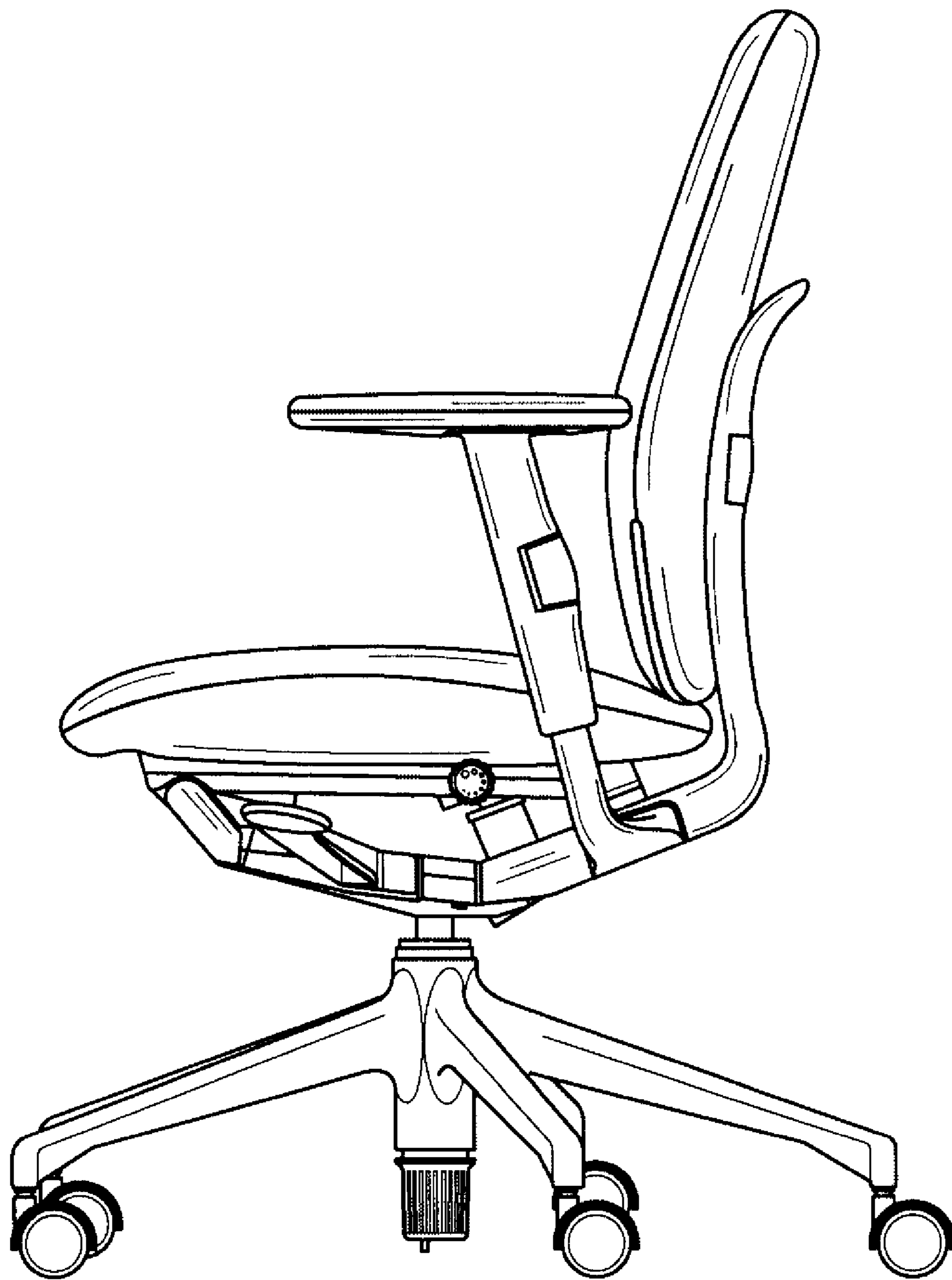
**FIGURE 2**



**FIGURE 3**



**FIGURE 4**



**FIGURE 5**

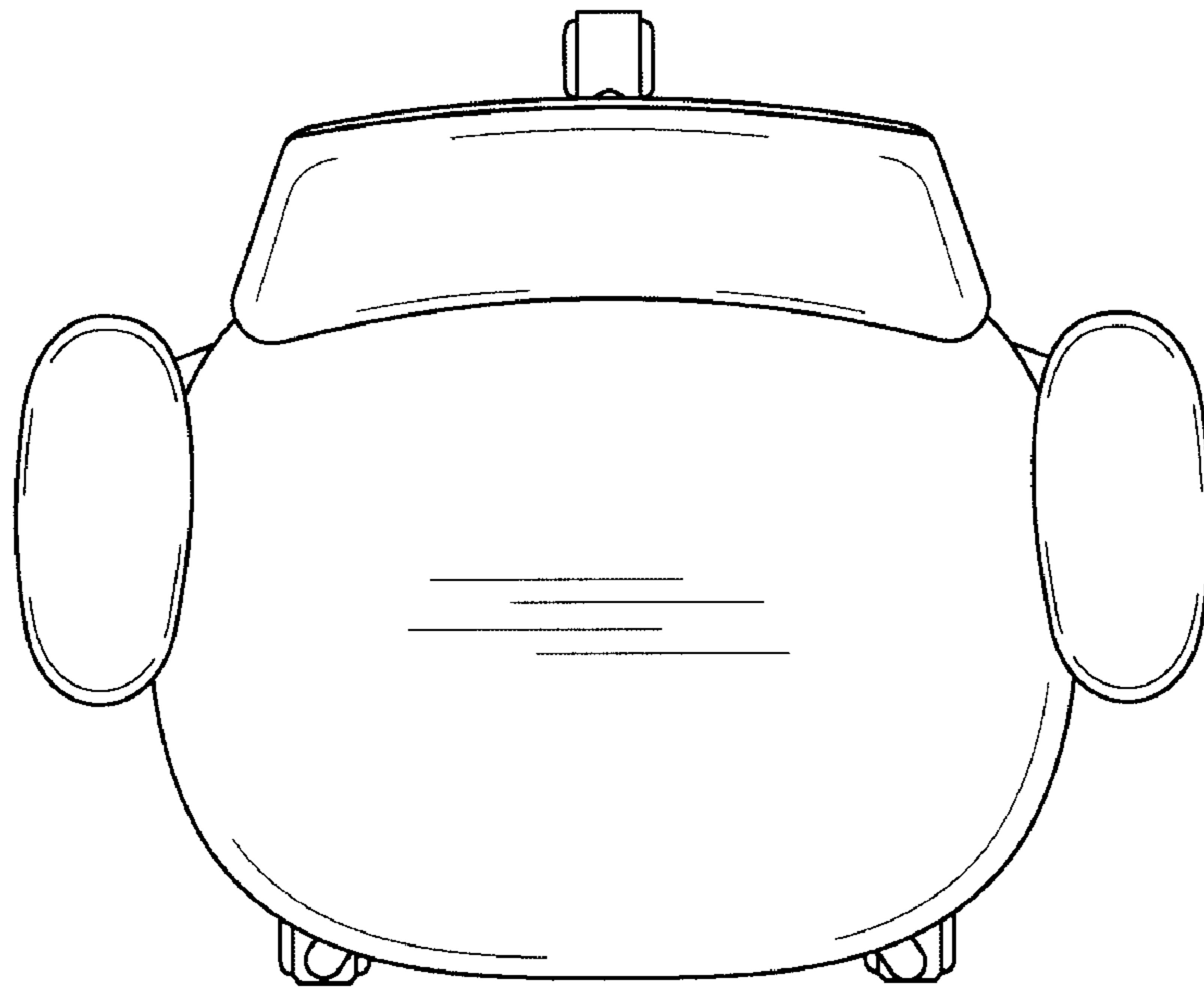


FIGURE 6

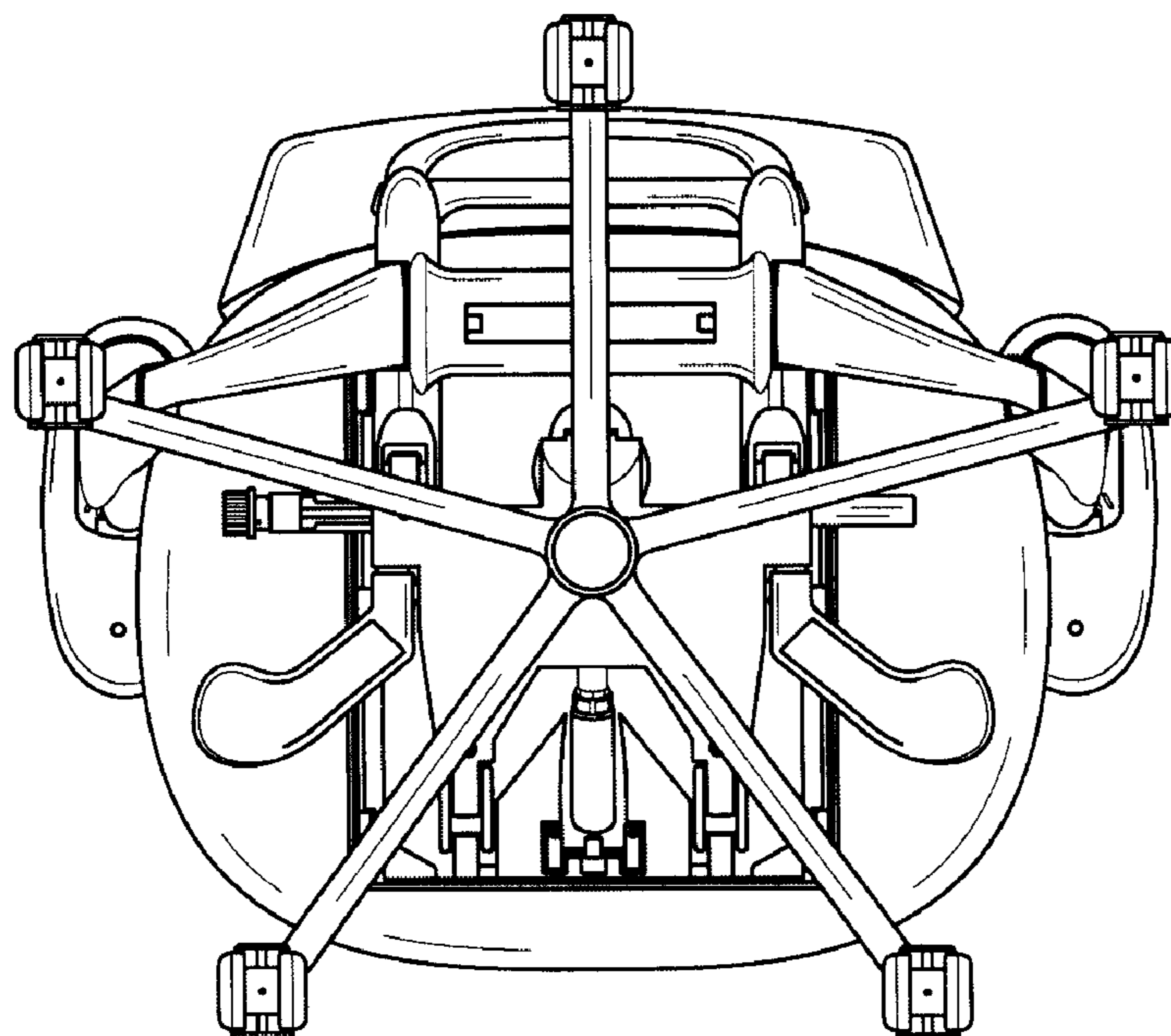
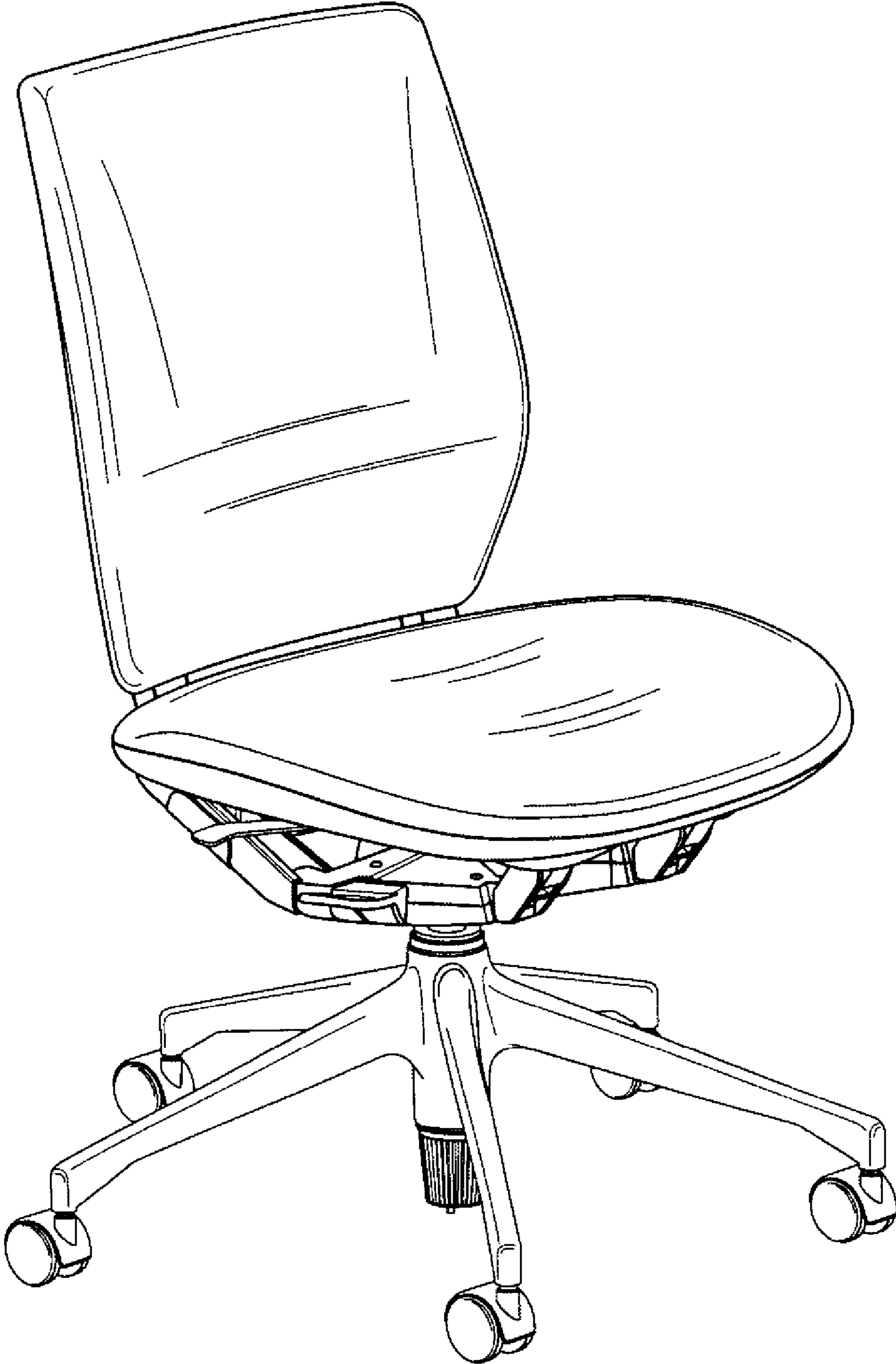


FIGURE 7





**FIGURE 8**