



US00D517817S

(12) **United States Design Patent**
Mohundro

(10) **Patent No.:** **US D517,817 S**

(45) **Date of Patent:** **** *Mar. 28, 2006**

(54) **MIRROR**

D441,545 S * 5/2001 Ungaro D6/300

(76) Inventor: **James Glenn Mohundro**, 3F-4 No.
161, Kung-I Road, Taichung City (TW),
403

* cited by examiner

(*) Notice: This patent is subject to a terminal dis-
claimer.

Primary Examiner—Janice E. Seeger
Assistant Examiner—Sydney Buffalow
(74) *Attorney, Agent, or Firm*—Bacon & Thomas, PLLC

(**) Term: **14 Years**

(57) **CLAIM**

The ornamental design for a mirror, as shown and described.

(21) Appl. No.: **29/218,785**

(22) Filed: **Dec. 8, 2004**

DESCRIPTION

(51) **LOC (8) Cl.** **06-07**

(52) **U.S. Cl.** **D6/300**

(58) **Field of Classification Search** D6/300–314,
D6/444; 40/700, 711, 719, 714–716, 720–722,
40/735, 738, 597, 744, 745, 754, 765, 768,
40/769, 790, 798; D20/29–32, 10; 248/466–467;
D11/131, 133–135; 359/838, 871–872

FIG. 1 is a perspective view of a mirror, showing my new
design;

FIG. 2 is a front elevational view thereof;

FIG. 3 is a rear elevational view thereof;

FIG. 4 is a left elevational view thereof; and

FIG. 5 is a right elevational view thereof;

FIG. 6 is a top plan view thereof; and,

FIG. 7 is a bottom plan view thereof.

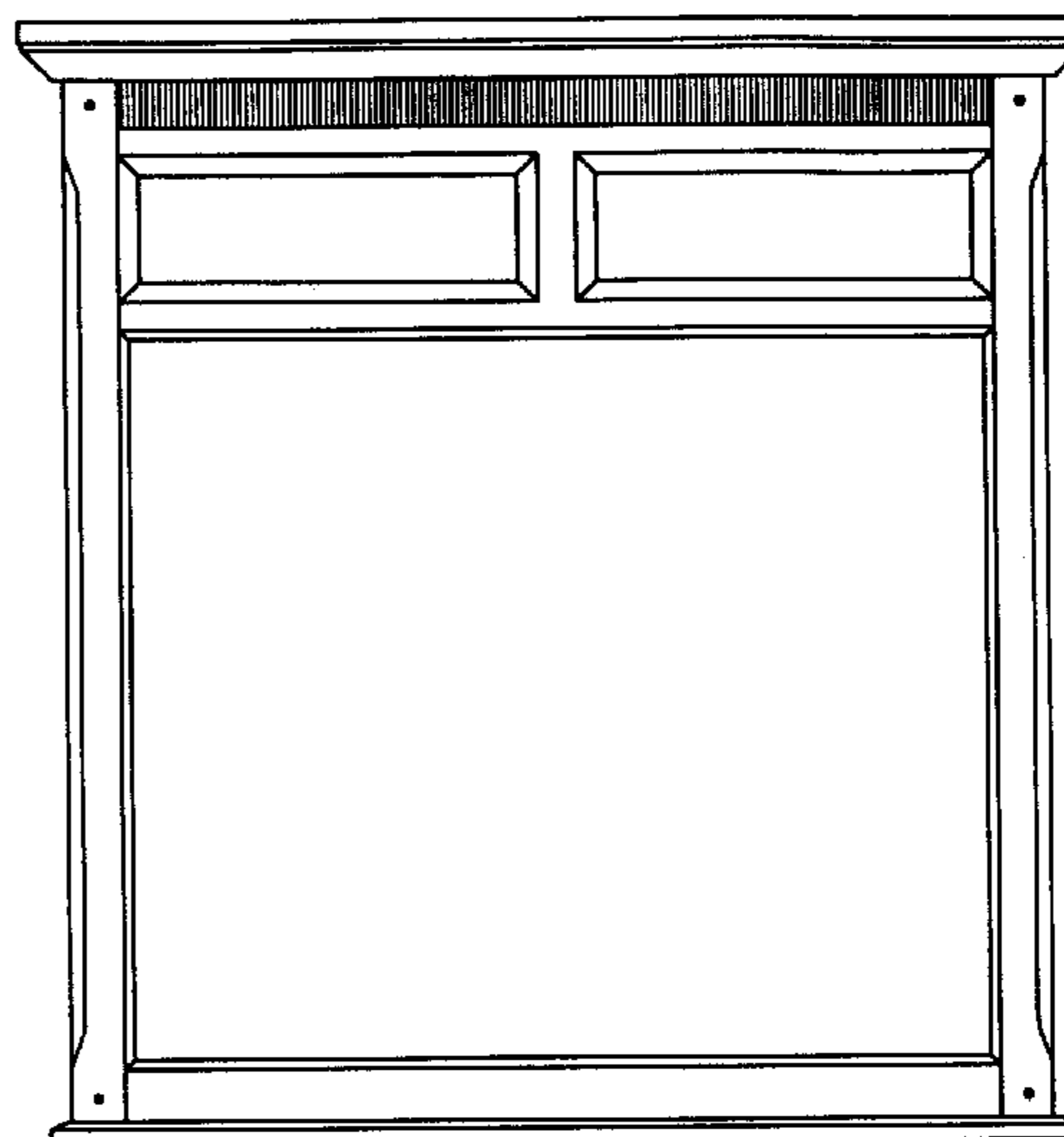
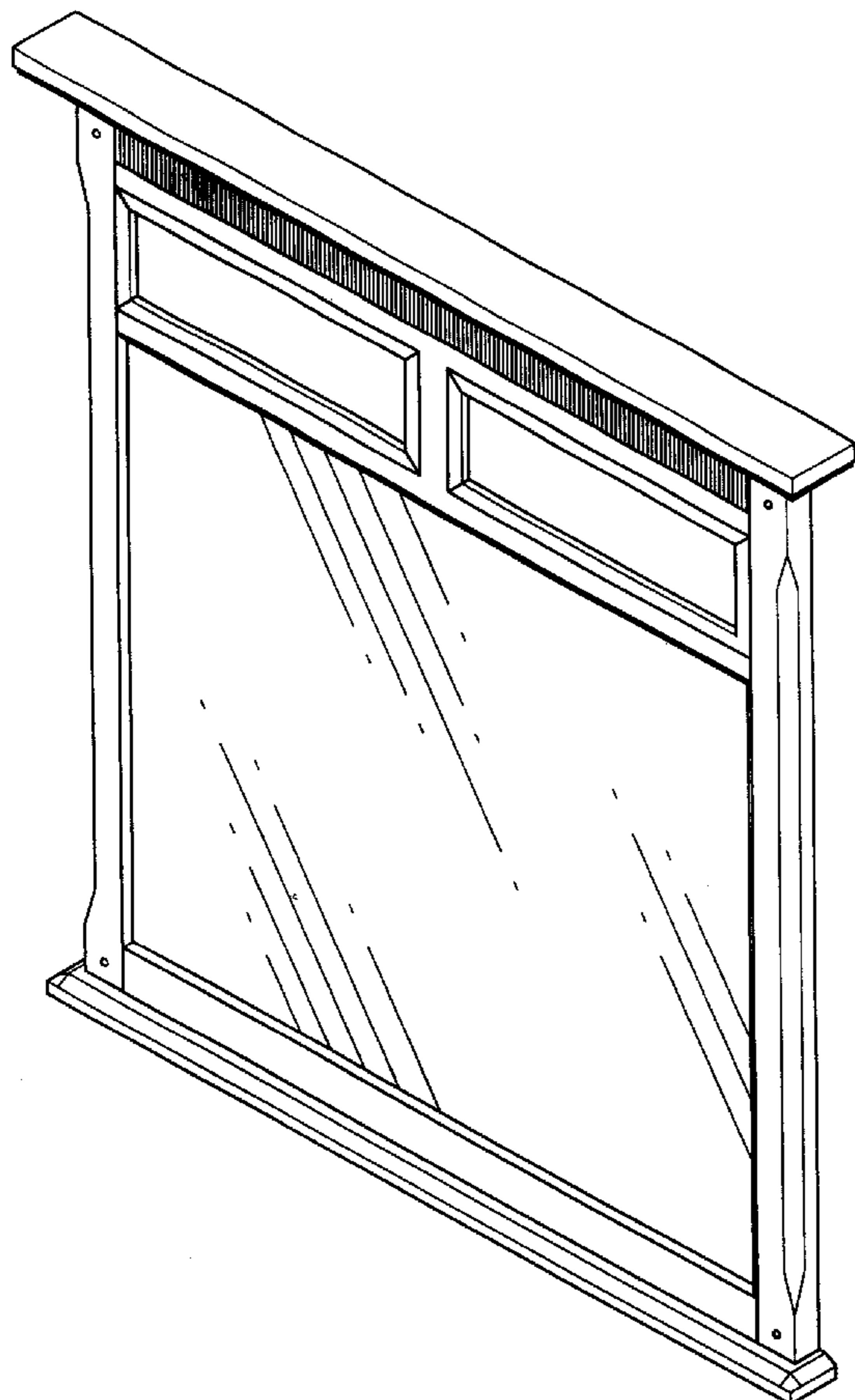
See application file for complete search history.

(56) **References Cited**

U.S. PATENT DOCUMENTS

D343,744 S * 2/1994 Keller D6/444

1 Claim, 5 Drawing Sheets



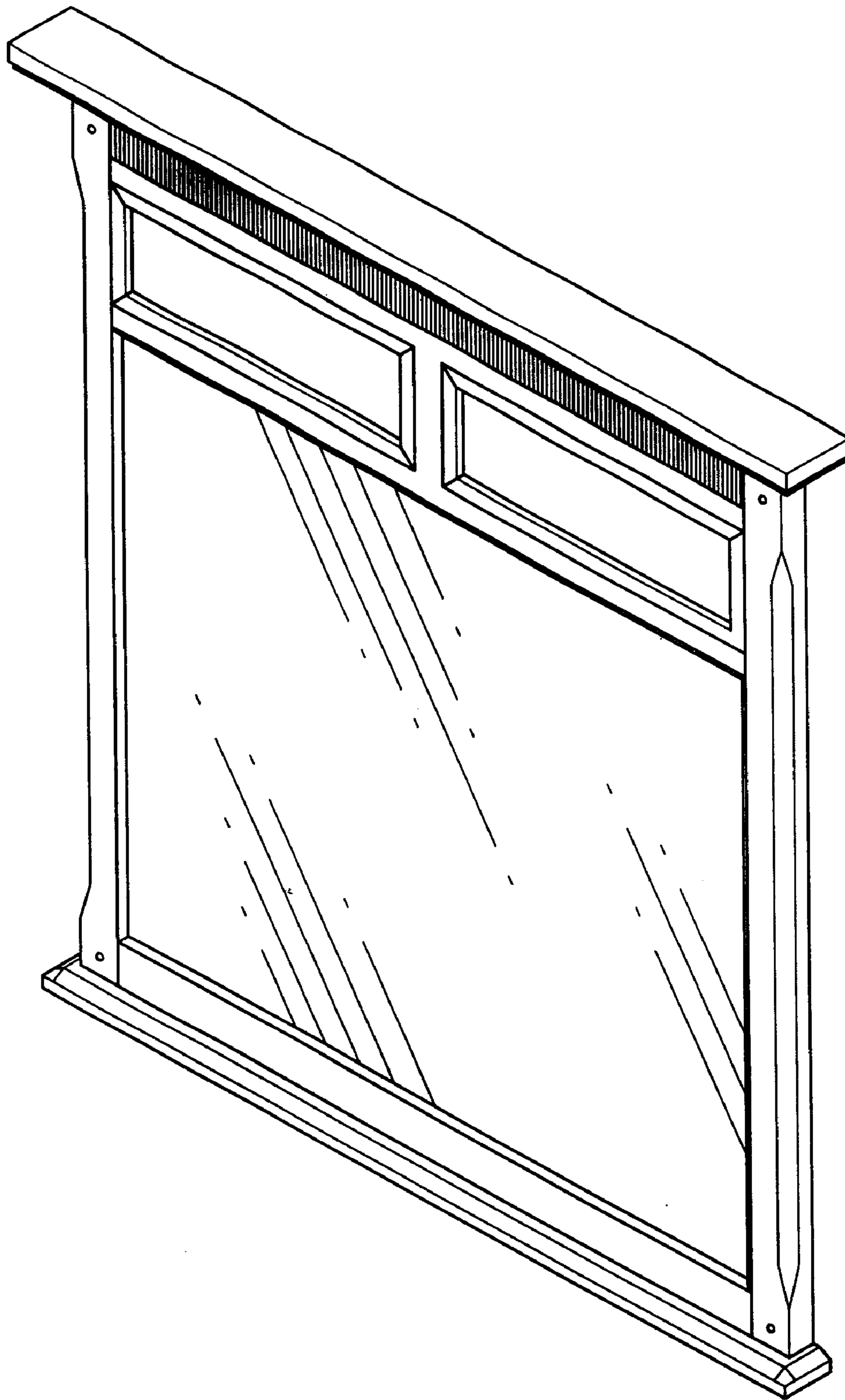


FIG. 1

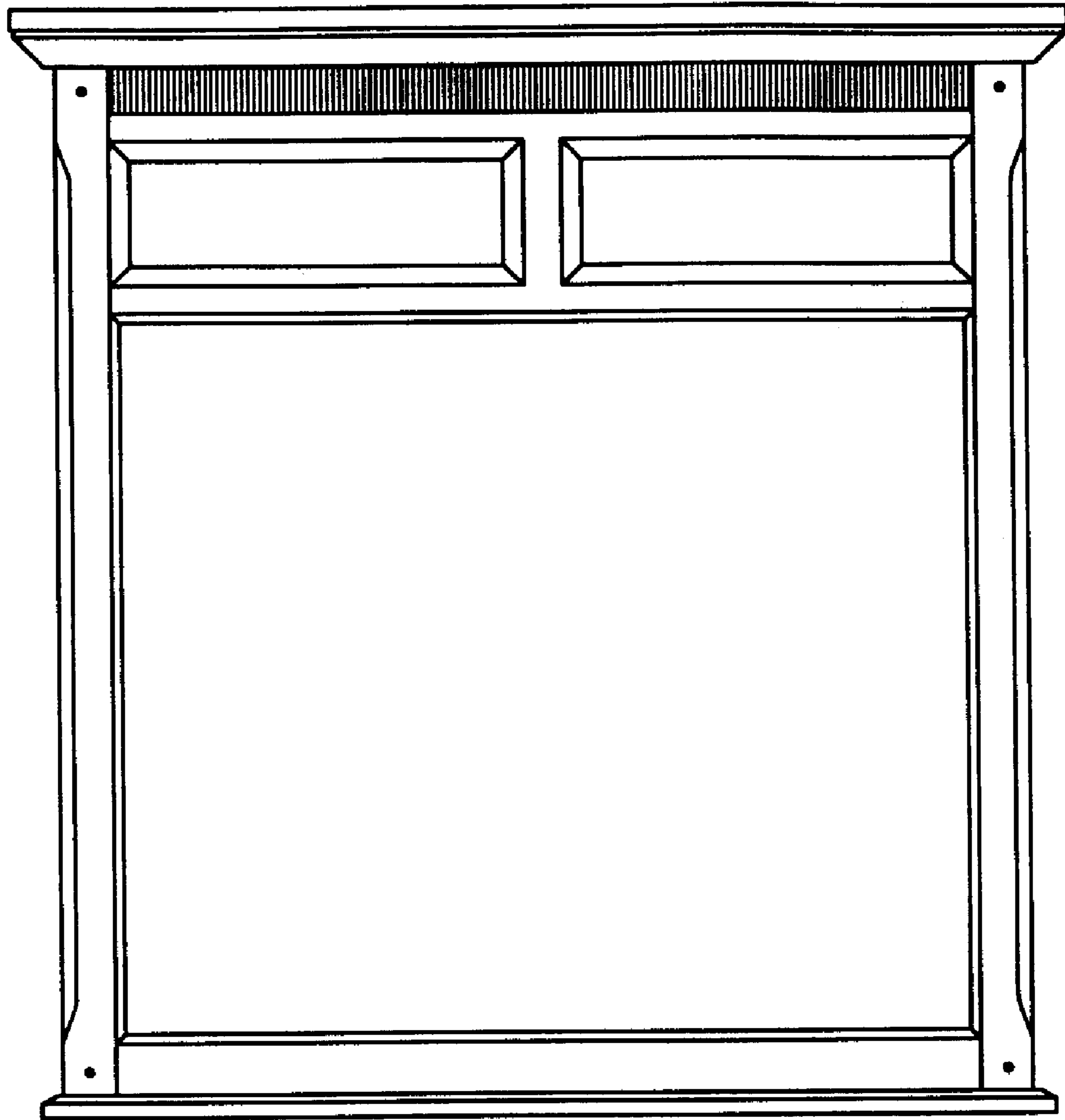


FIG.2

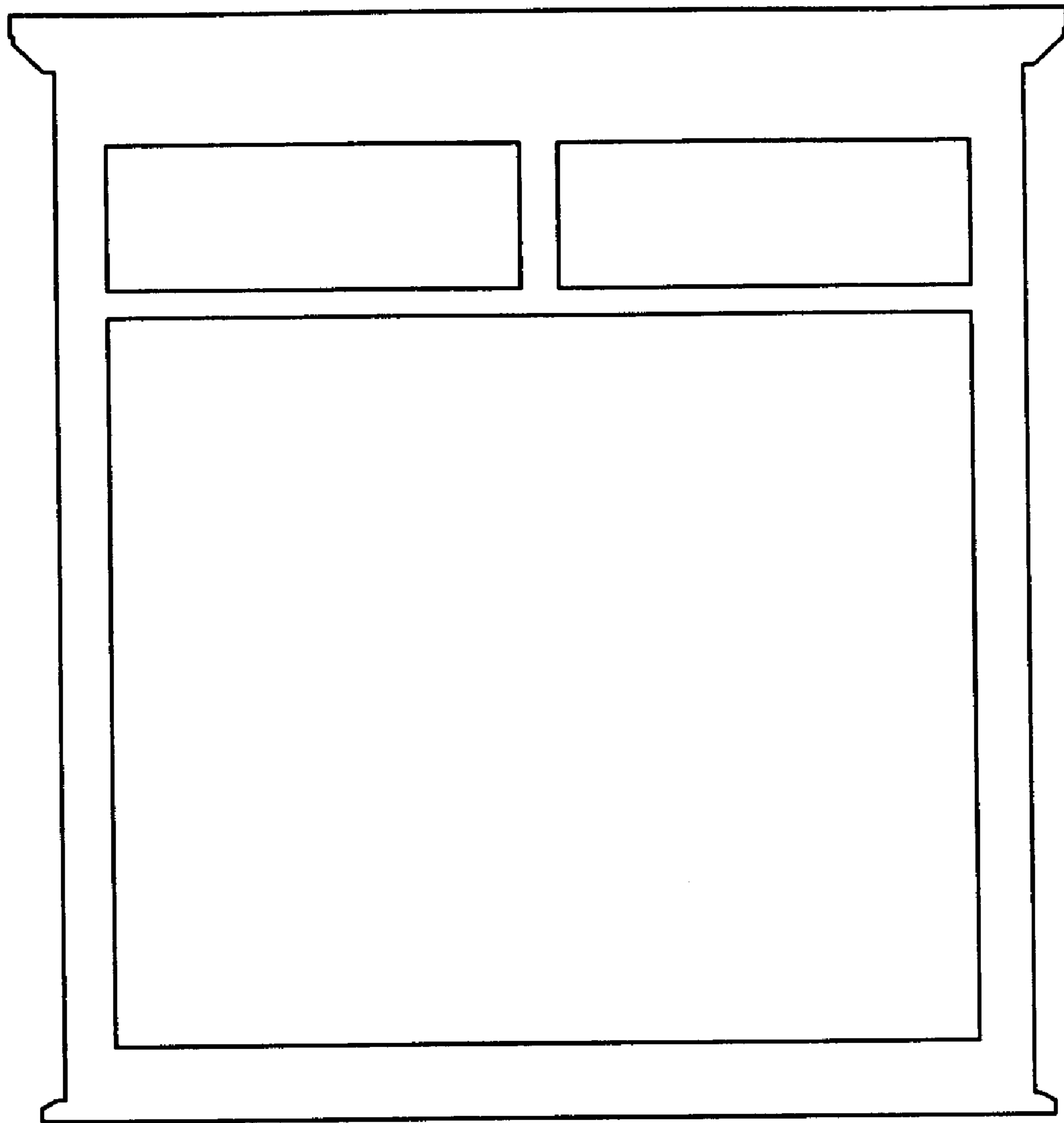


FIG.3



FIG.4

FIG.5



FIG. 6



FIG. 7