



US00D517809S

(12) **United States Design Patent**
Eastman et al.

(10) **Patent No.:** **US D517,809 S**
(45) **Date of Patent:** **** Mar. 28, 2006**

(54) **MEDIA DEPOSITORY TOP**

(75) Inventors: **Jeffery Eastman**, North Canton, OH (US); **Sean Haney**, North Canton, OH (US); **Robert Bowser**, Copley, OH (US); **Jeffrey Enright**, Akron, OH (US); **Michael Ryan**, Canton, OH (US); **William D. Beskitt**, Canton, OH (US); **Matthew Dunlap**, North Canton, OH (US); **Dale H. Blackson**, Canton, OH (US); **H. Thomas Graef**, Bolivar, OH (US)

(73) Assignee: **Diebold Self-Service Systems division of Diebold, Incorporated**, North Canton, OH (US)

(**) Term: **14 Years**

(21) Appl. No.: **29/193,171**

(22) Filed: **Nov. 4, 2003**

(51) **LOC (8) Cl.** **03-99**

(52) **U.S. Cl.** **D3/323**

(58) **Field of Classification Search** D3/318, D3/319, 323, 326, 328, 302, 312, 314, 273, D3/283, 284, 286, 304; D9/420-425, 430-432; 220/796-802, 805, 377, 354, 355, 361-362, 220/200; D19/76; D7/629, 601; 206/503-505, 206/515, 518, 520, 349, 372-373, 375

See application file for complete search history.

(56) **References Cited**

U.S. PATENT DOCUMENTS

D218,658 S * 9/1970 Perkins D3/302
D234,657 S * 4/1975 Steine D6/433
D248,567 S * 7/1978 Ward D24/217

D252,715 S * 8/1979 Cole D3/262
D259,524 S * 6/1981 Erdman D3/298
D276,111 S * 10/1984 Doyel D6/510
4,704,061 A * 11/1987 Peebles 414/405
4,756,581 A * 7/1988 Phillips 312/183
4,992,648 A * 2/1991 Hutchison 235/379
D328,425 S * 8/1992 Brightbill D3/282
D334,453 S * 3/1993 Koloski D3/323
D343,641 S * 1/1994 Hafendehl et al. D19/75
6,042,001 A * 3/2000 Siler et al. 232/30
6,065,408 A * 5/2000 Tillim et al. 109/25
D481,850 S * 11/2003 Magee et al. D99/28
D482,840 S * 11/2003 Magee et al. D99/28
D502,597 S * 3/2005 Eastman et al. D3/273
D504,231 S * 4/2005 Eastman et al. D3/304

* cited by examiner

Primary Examiner—Sandra S. Snapp

(74) *Attorney, Agent, or Firm*—Christopher L. Parmelee; Walker & Jocke

(57) **CLAIM**

We claim the ornamental design for a media depository top, as shown and described.

DESCRIPTION

FIG. 1 is a front perspective view of a media depository top showing our new design.

FIG. 2 is a back perspective view thereof.

FIG. 3 is a first side elevation view thereof.

FIG. 4 is a second side elevation view thereof.

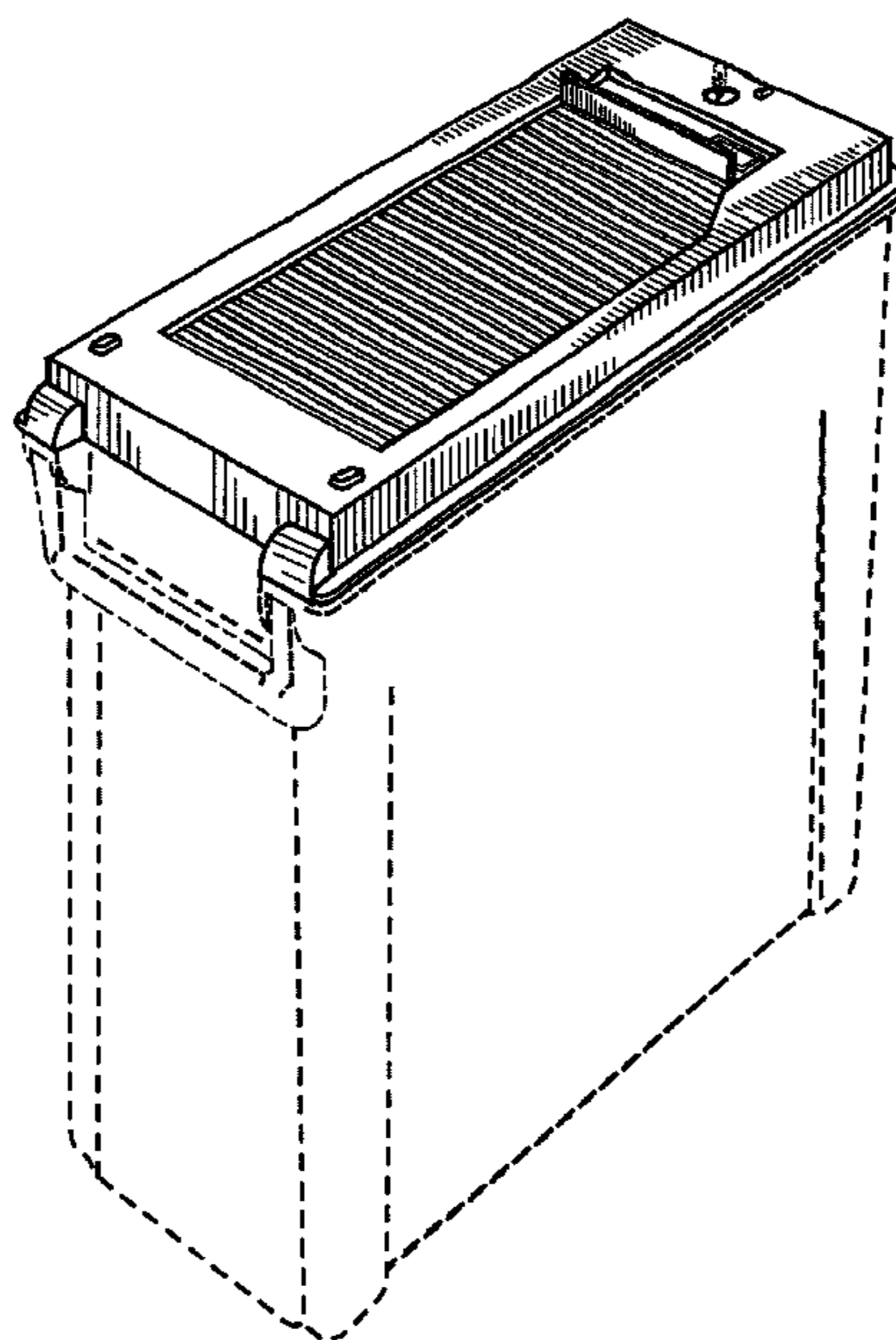
FIG. 5 is a front end elevation view thereof.

FIG. 6 is a back end elevation view thereof; and,

FIG. 7 is a top plan view thereof.

The adjacent media depository base and key shown in broken lines are for illustrative purposes only and form no part of the claimed design.

1 Claim, 6 Drawing Sheets



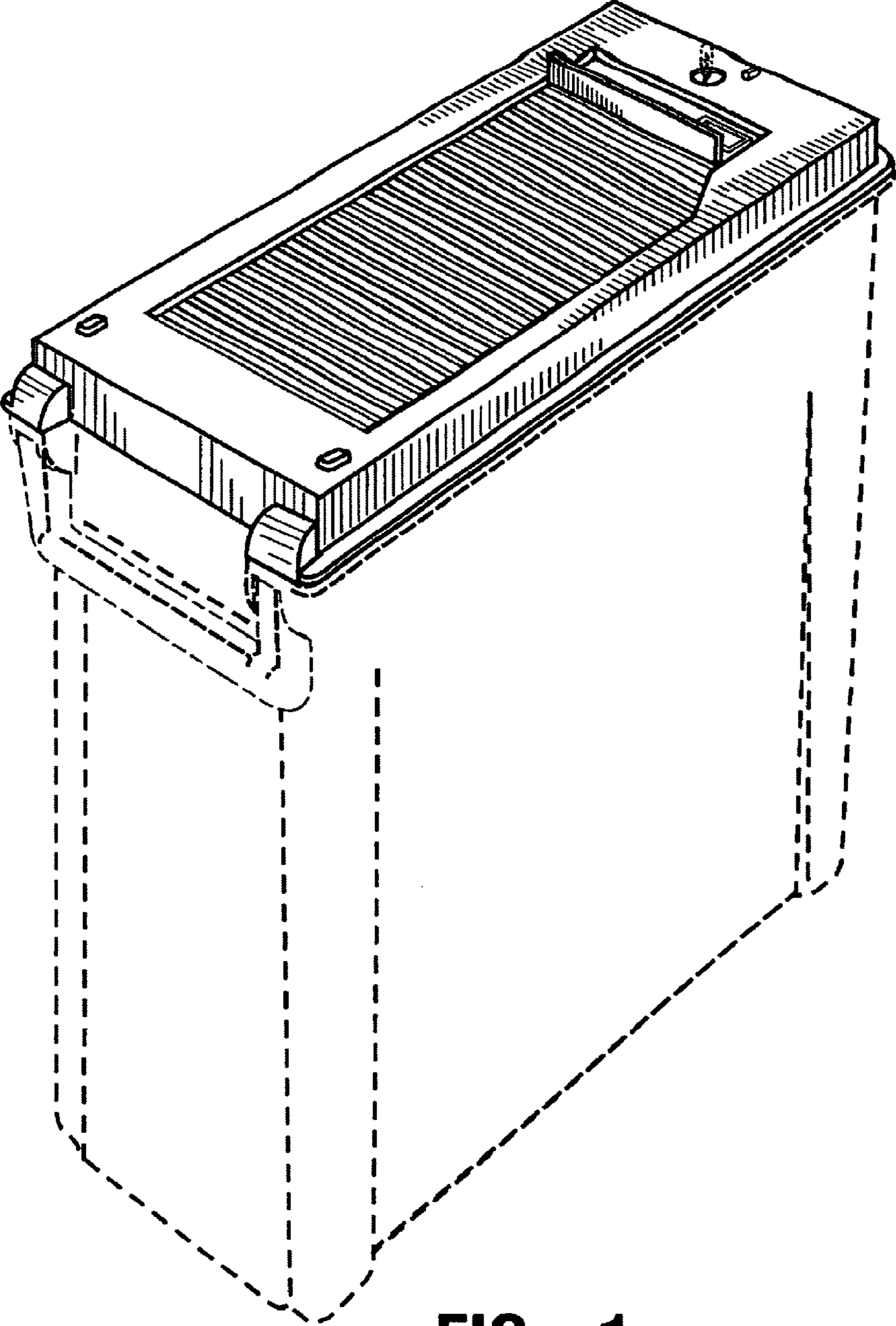


FIG. 1

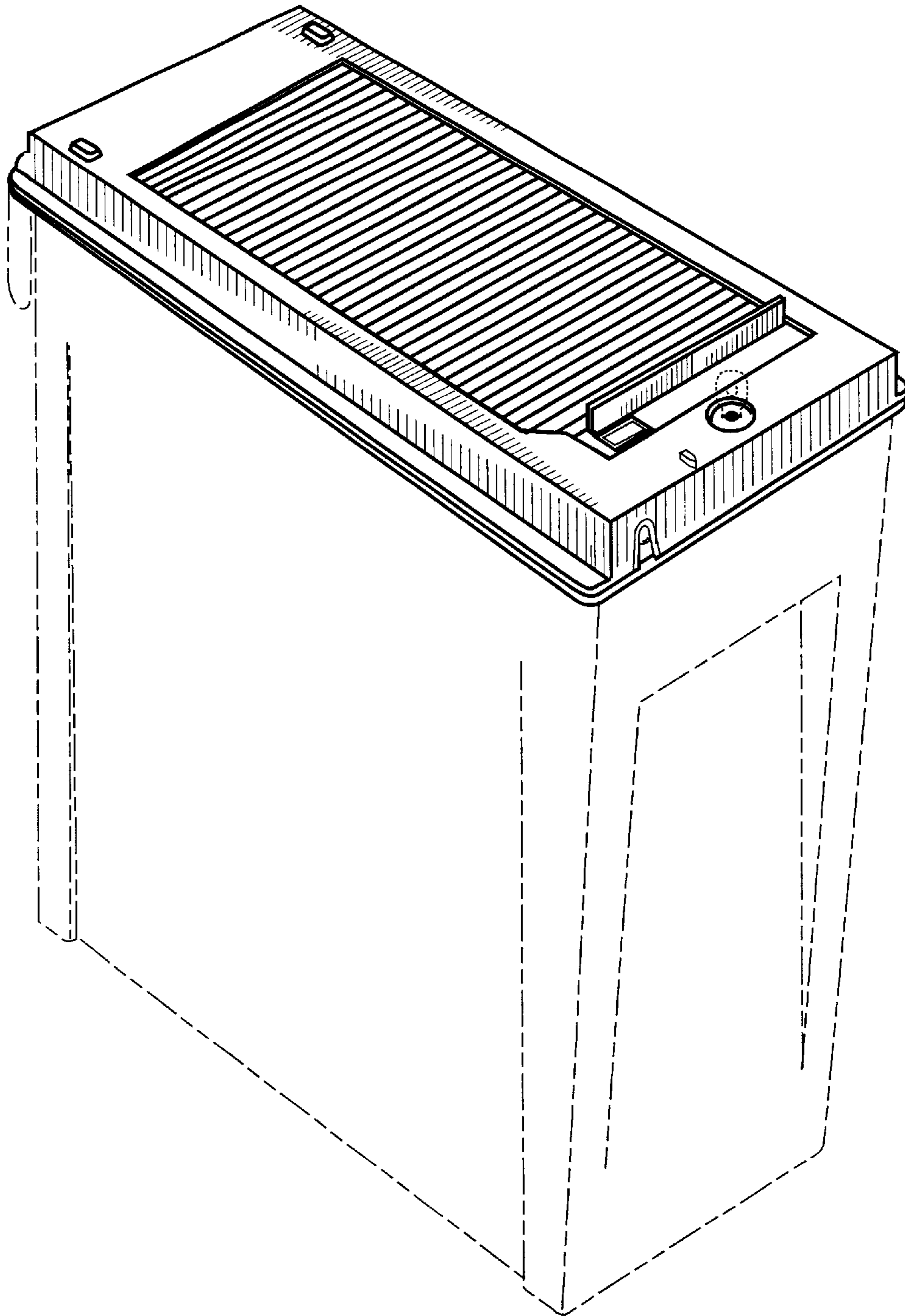


FIG. 2

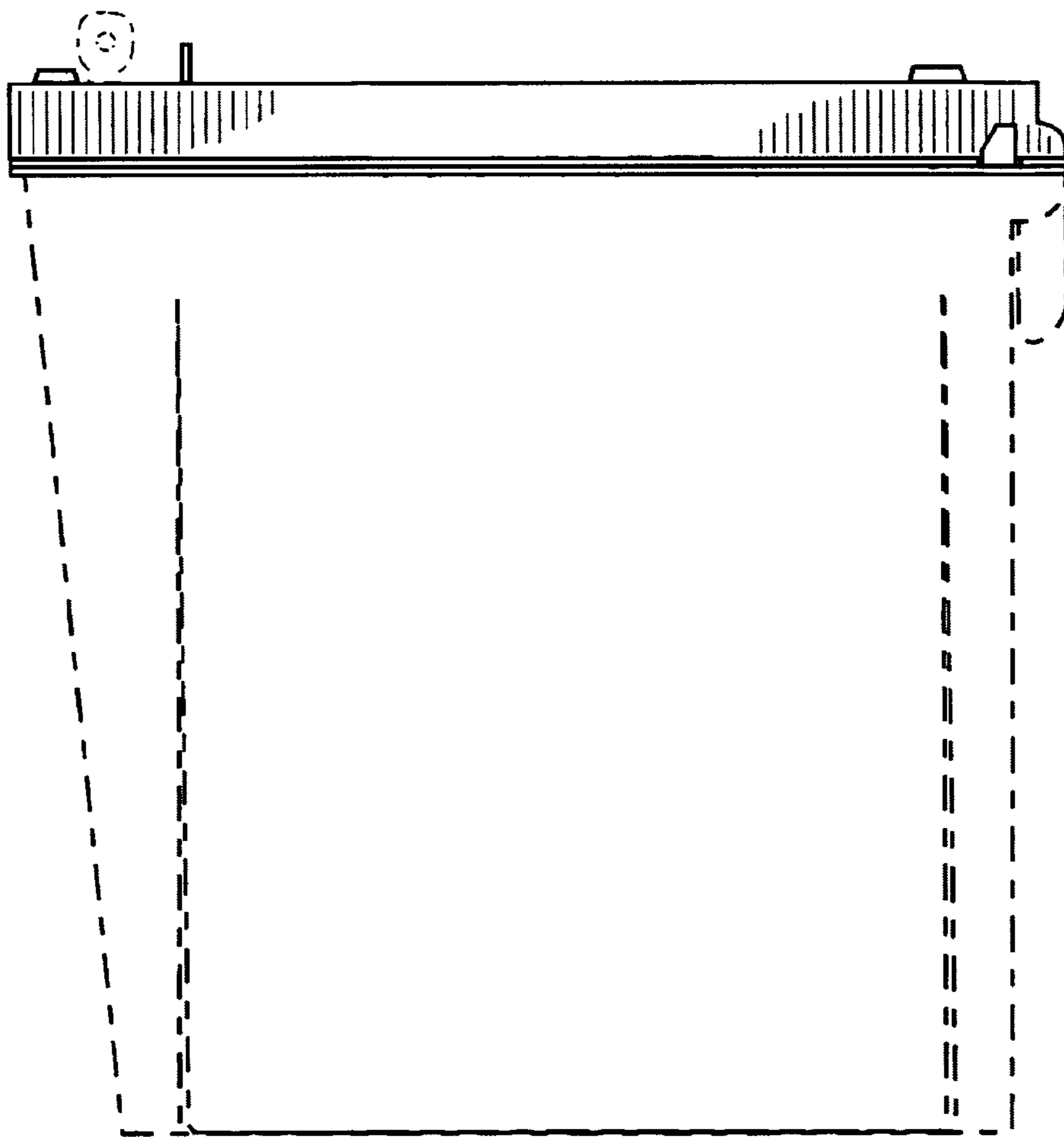


FIG. 3

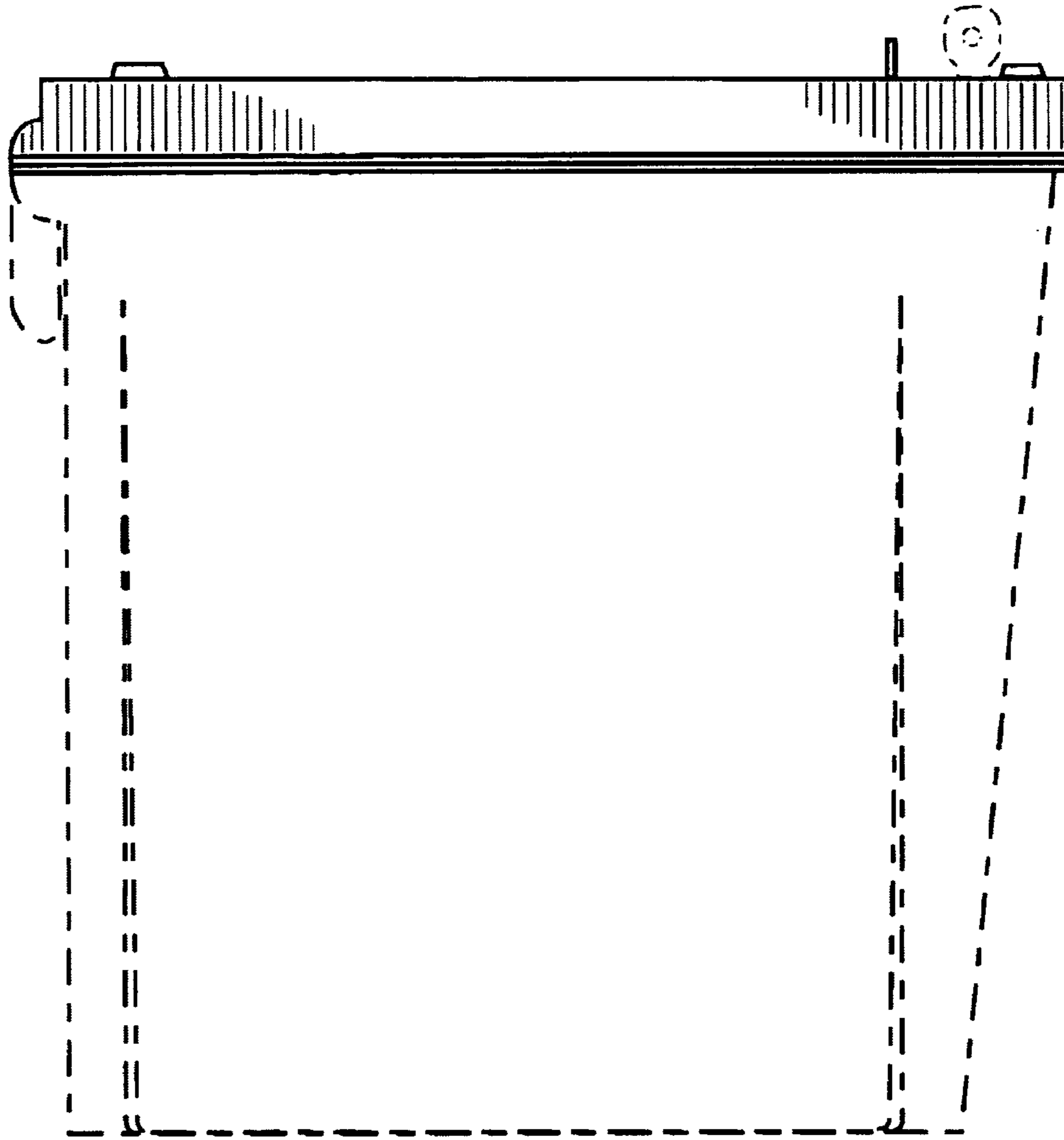


FIG. 4

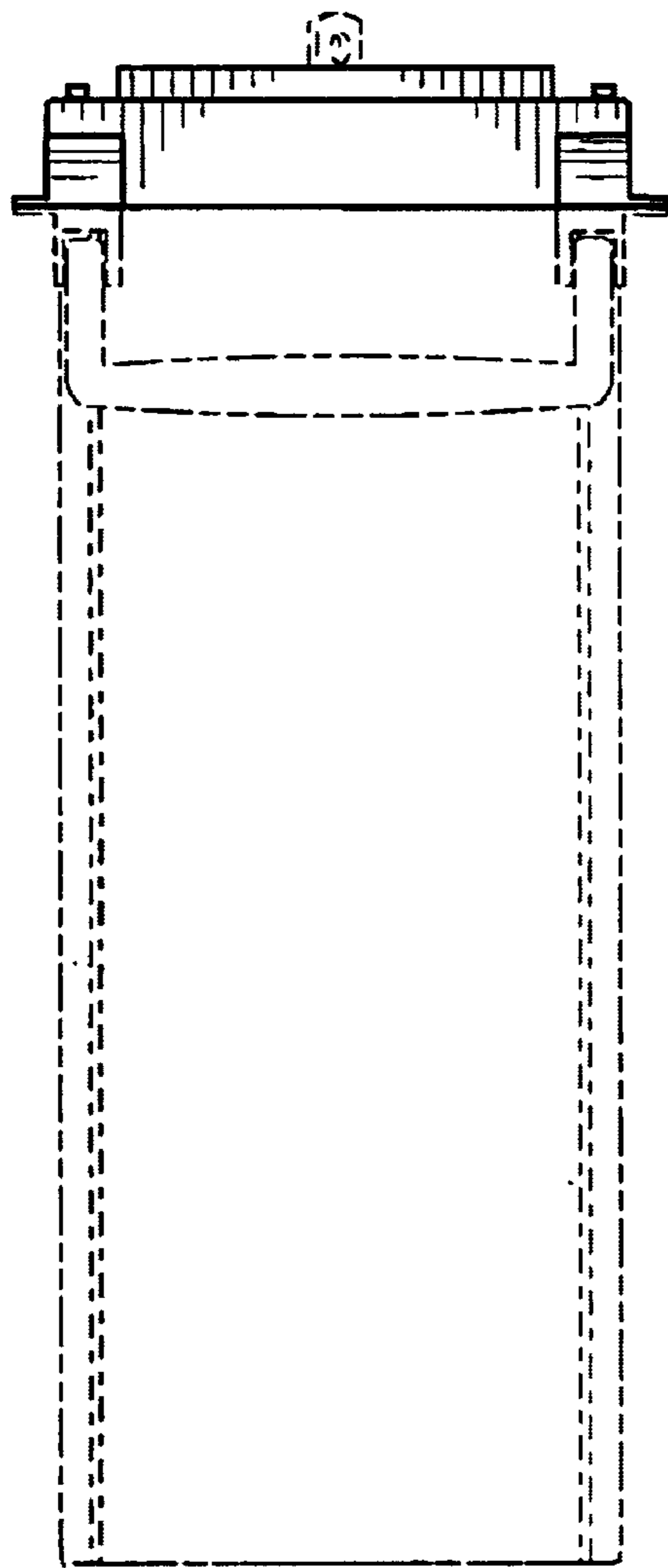


FIG. 5

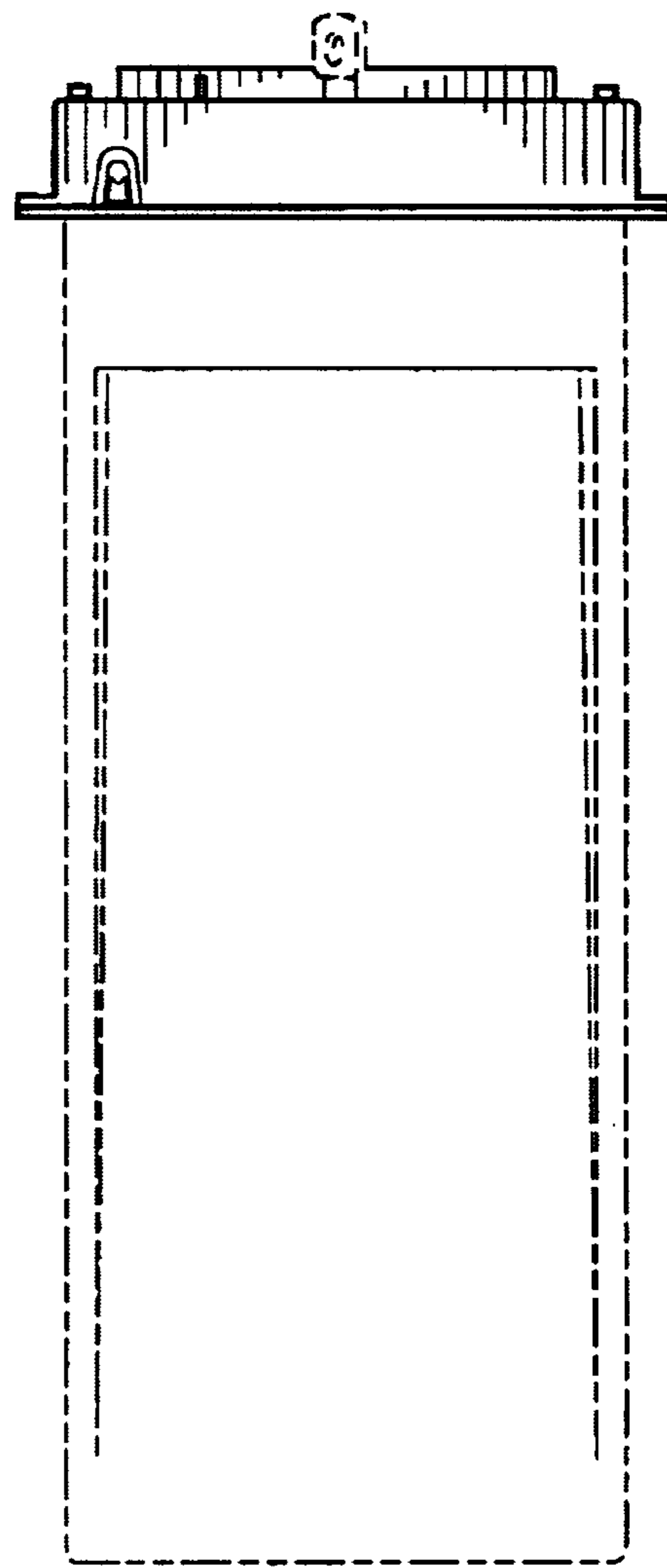


FIG. 6

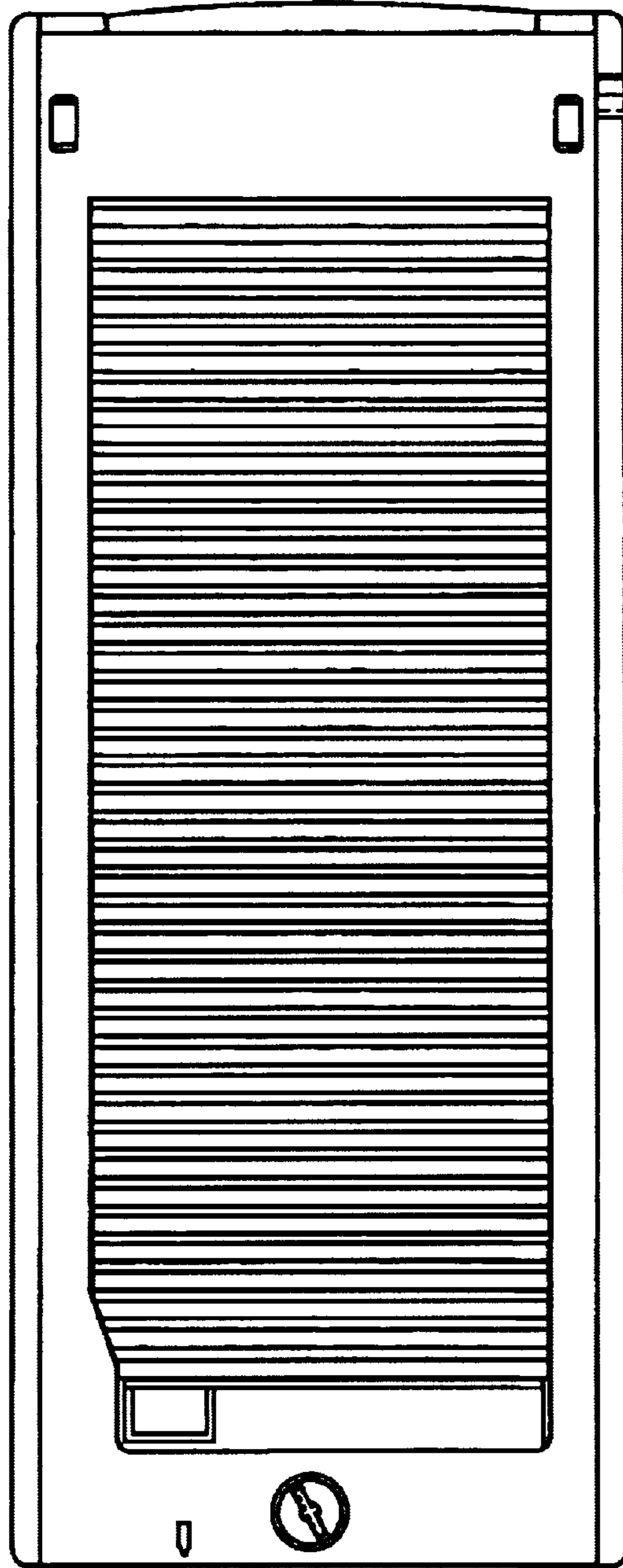


FIG. 7