



US00D517808S

(12) **United States Design Patent**  
**Reimers et al.**

(10) **Patent No.:** **US D517,808 S**  
(45) **Date of Patent:** **\*\* Mar. 28, 2006**

(54) **COLLAR FOR GOLF BAG**

(76) Inventors: **Rick Reimers**, 1235 Starwood Dr.,  
Missoula, MT (US) 59808; **Mark**  
**Robirds**, 27550 Hwy. 200, Potomac,  
MT (US) 59823; **Dale Truitt**, 4970  
Huckleberry Rd., Missoula, MT (US)  
59803

(\*\*) Term: **14 Years**

(21) Appl. No.: **29/222,228**

(22) Filed: **Jan. 27, 2005**

(51) **LOC (8) Cl.** ..... **03-99**

(52) **U.S. Cl.** ..... **D3/320**

(58) **Field of Classification Search** ..... D3/320,  
D3/254, 255, 259, 382.1, 905; D34/15; 211/70.2;  
248/95, 96; 206/315.2, 315.3, 315.4, 315.5,  
206/315.6, 315.7, 315.8

See application file for complete search history.

(56) **References Cited**

**U.S. PATENT DOCUMENTS**

D387,556 S \* 12/1997 Beebe et al. .... D3/255  
5,816,397 A \* 10/1998 Pratt ..... 206/315.6  
D402,469 S \* 12/1998 Suk ..... D3/320

D405,607 S \* 2/1999 Sundara et al. .... D3/255  
D412,789 S \* 8/1999 Suk ..... D3/320  
D422,137 S \* 4/2000 Reimers ..... D3/255  
6,149,000 A \* 11/2000 Kim ..... 206/315.6  
2002/0189962 A1 \* 12/2002 Chen ..... 206/315.7  
2003/0146120 A1 \* 8/2003 Chi ..... 206/315.5

\* cited by examiner

*Primary Examiner*—Sandra S. Snapp  
(74) *Attorney, Agent, or Firm*—Larry B. Guernsey;  
Intellectual Property Law Offices

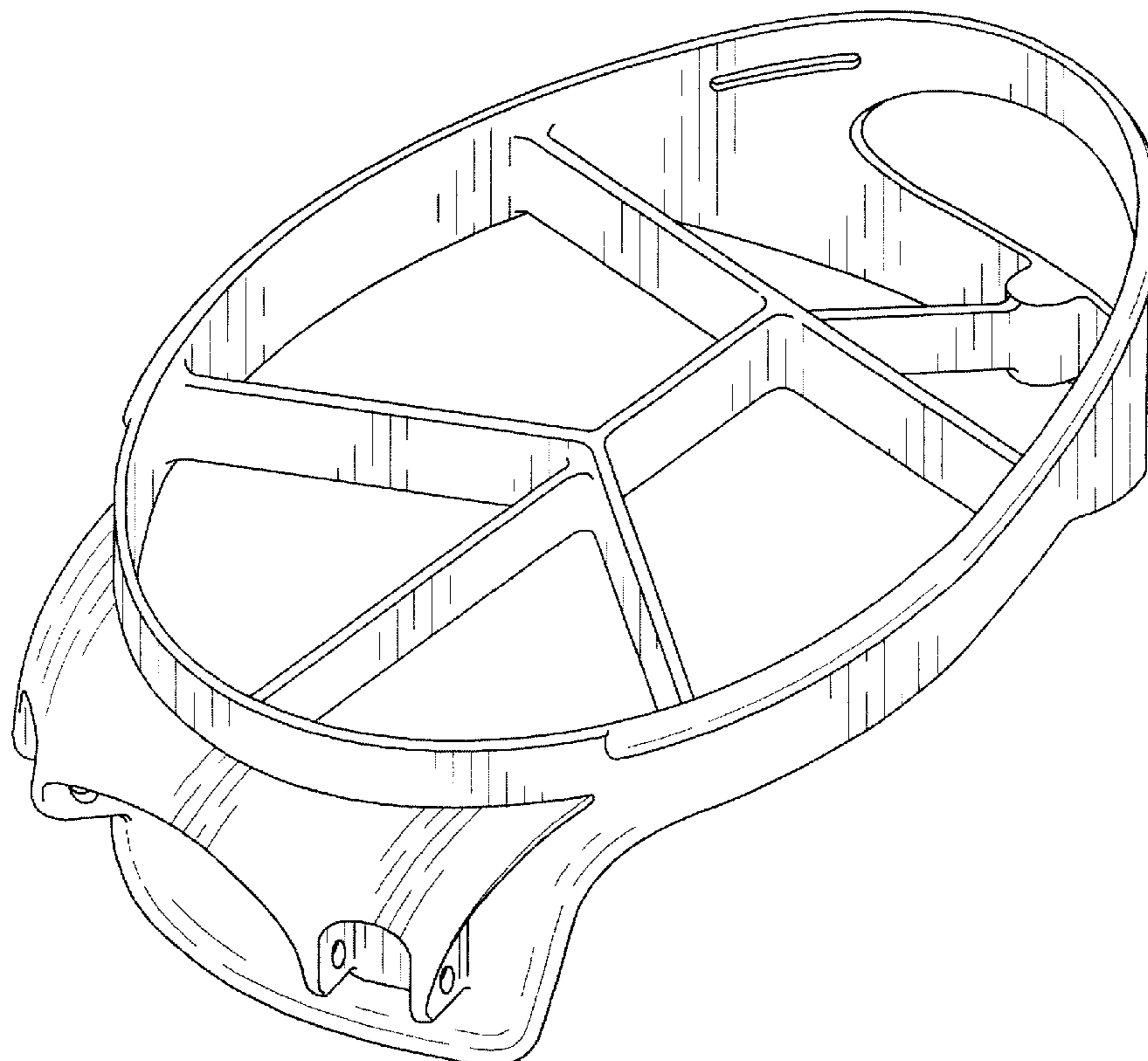
(57) **CLAIM**

The ornamental design for a collar for golf bag, as shown.

**DESCRIPTION**

FIG. 1 is a front top perspective view of the collar for golf bag;  
FIG. 2 is a front elevational view thereof;  
FIG. 3 is a rear elevational view thereof;  
FIG. 4 is a right side view thereof;  
FIG. 5 is a left side thereof;  
FIG. 6 is a top plan view thereof;  
FIG. 7 is a bottom plan view thereof; and,  
FIG. 8 is a front bottom perspective view thereof.

**1 Claim, 8 Drawing Sheets**



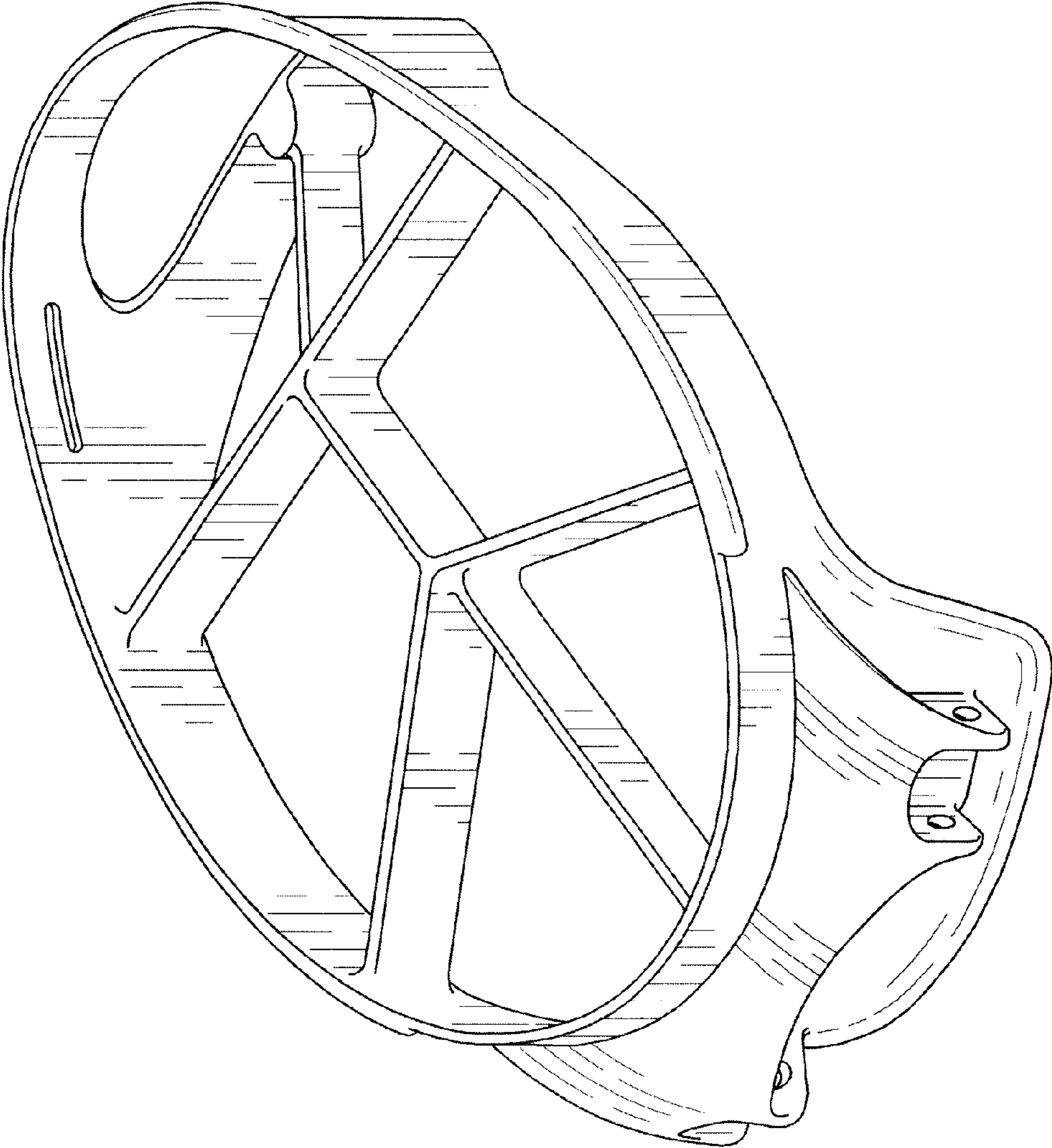


FIGURE 1

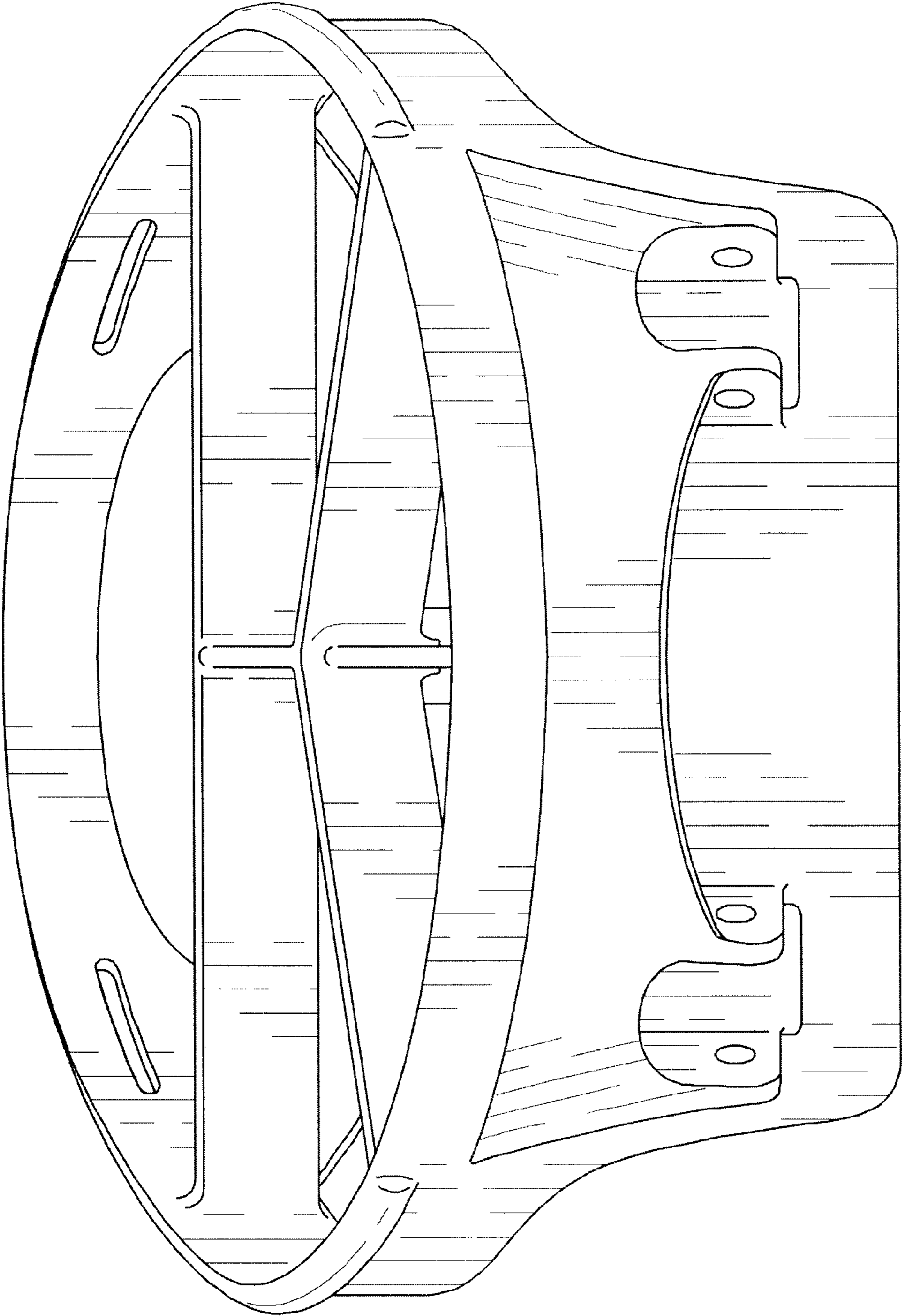


FIGURE 2

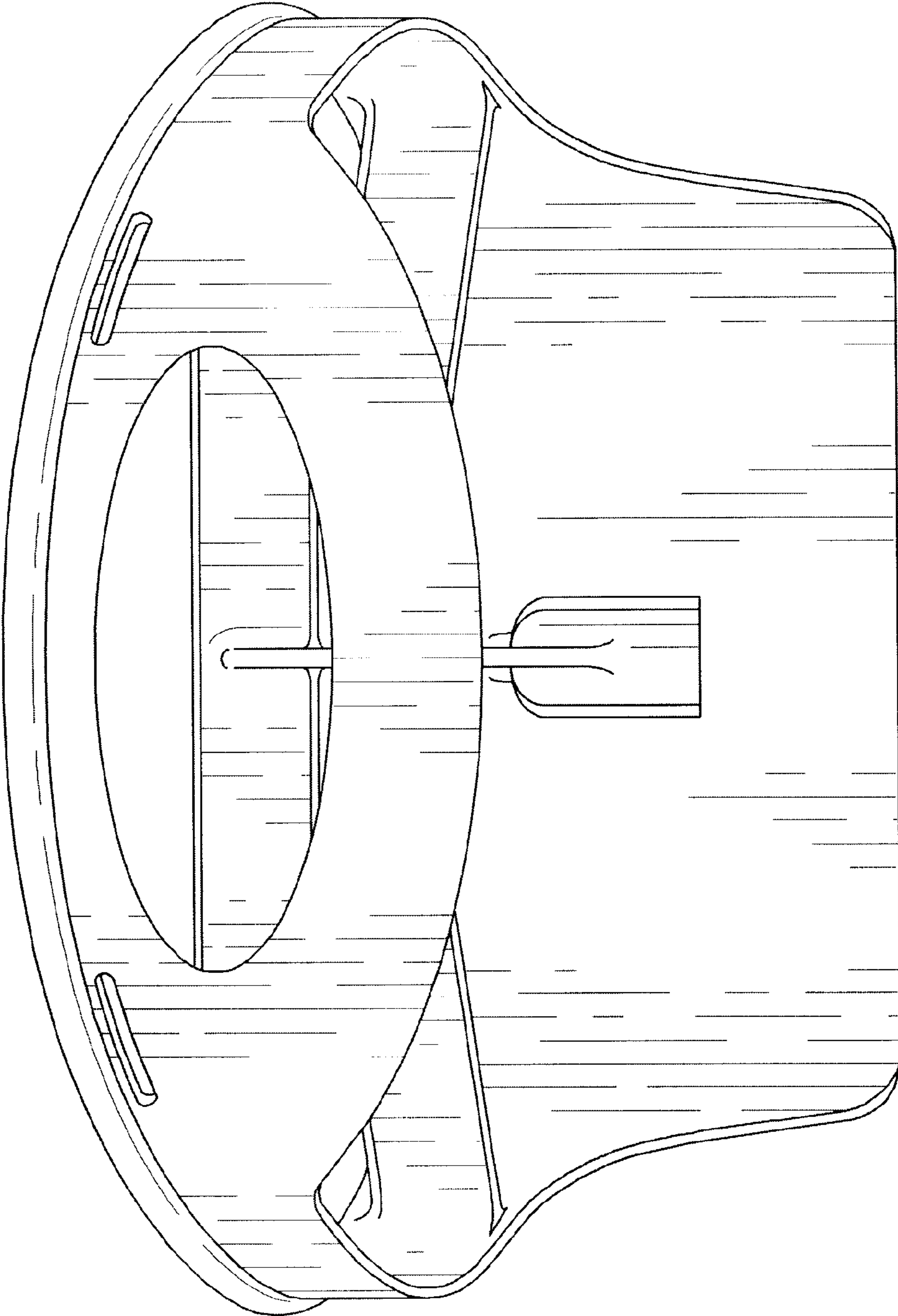


FIGURE 3

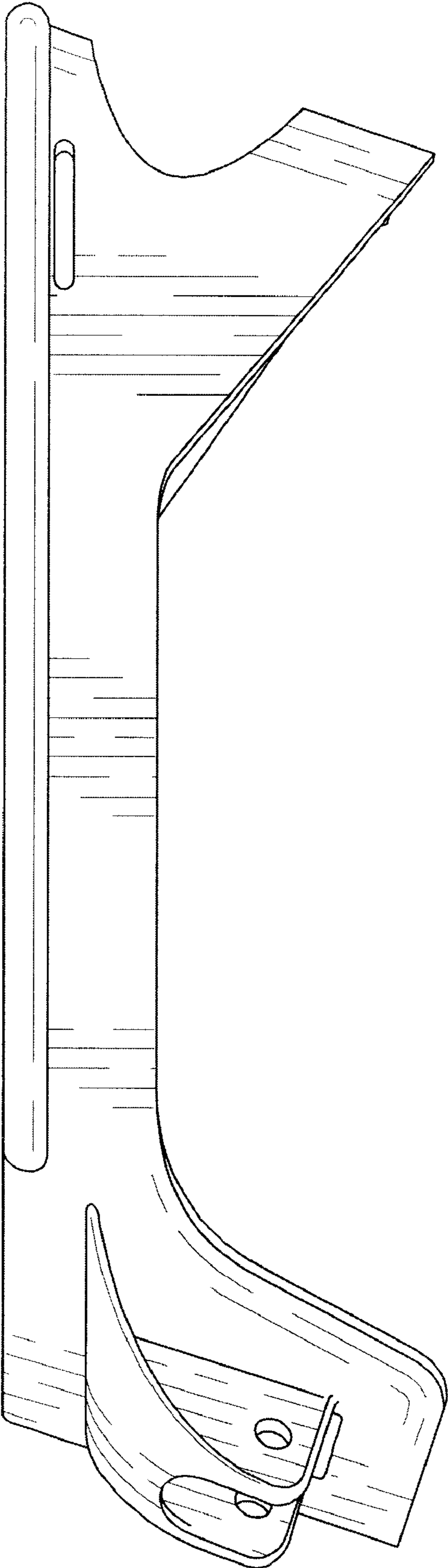


FIGURE 4

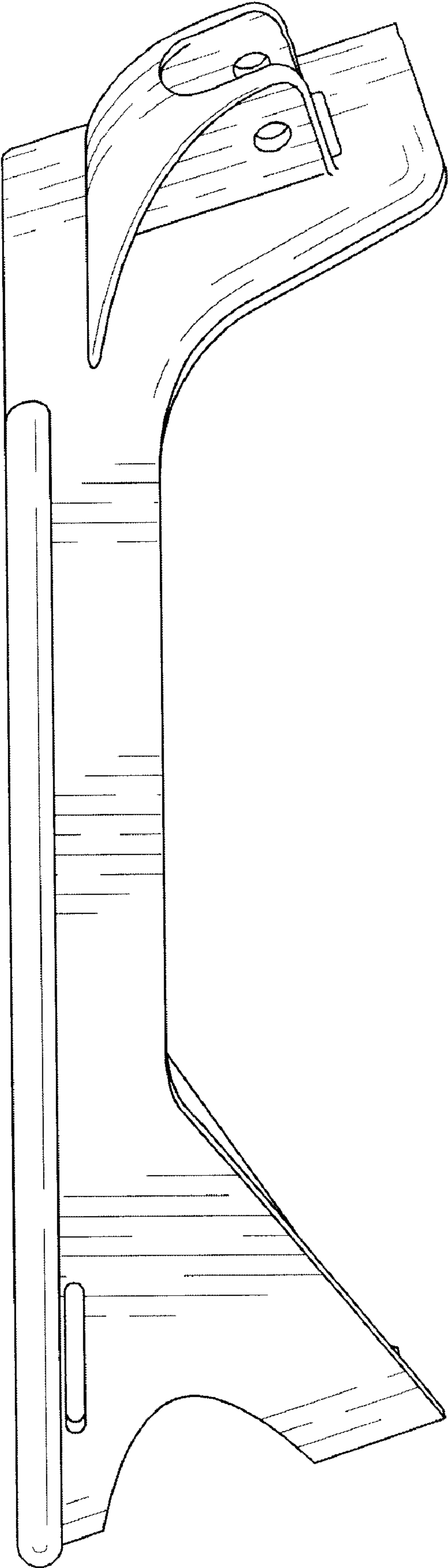


FIGURE 5

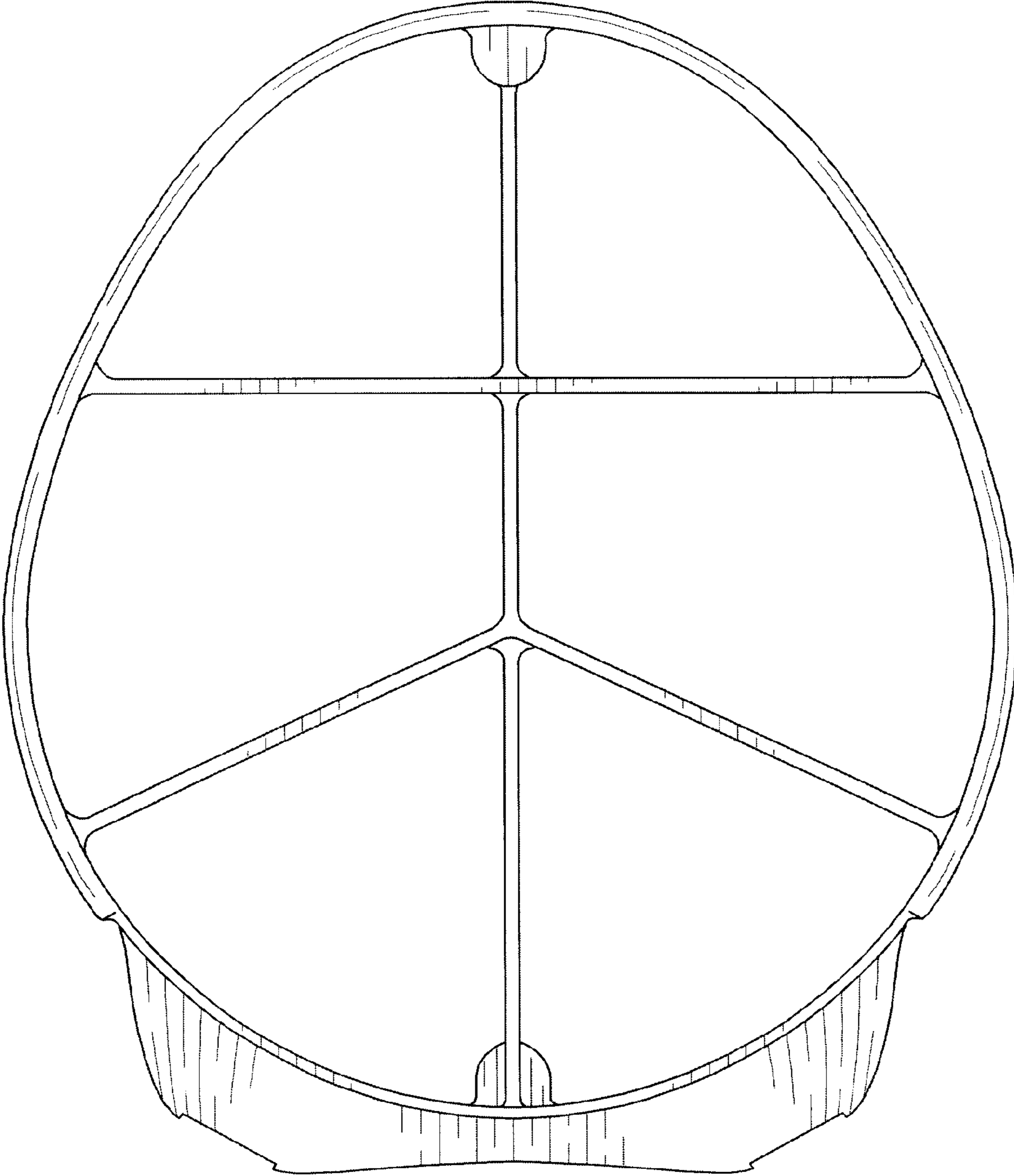


FIGURE 6

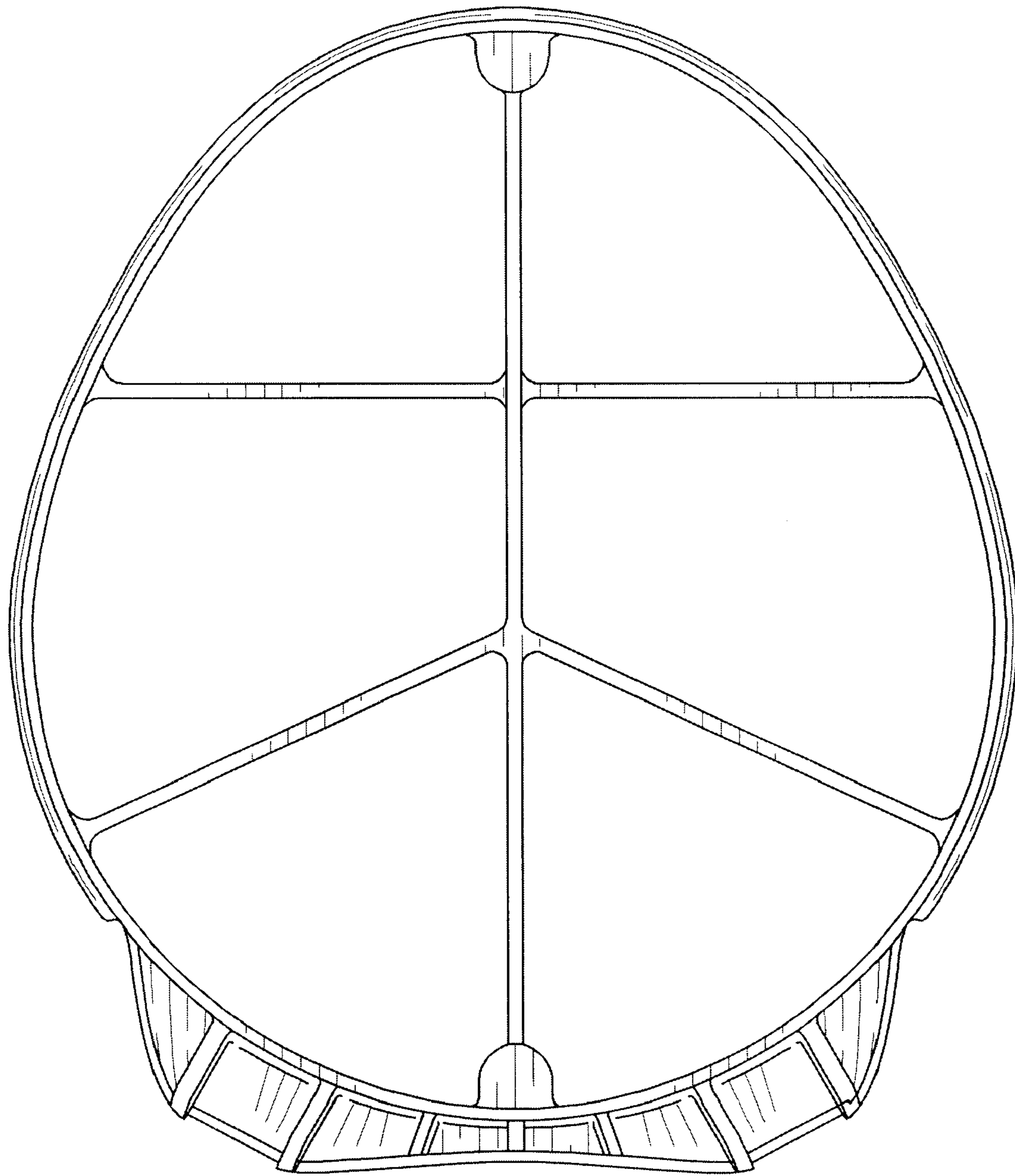


FIGURE 7



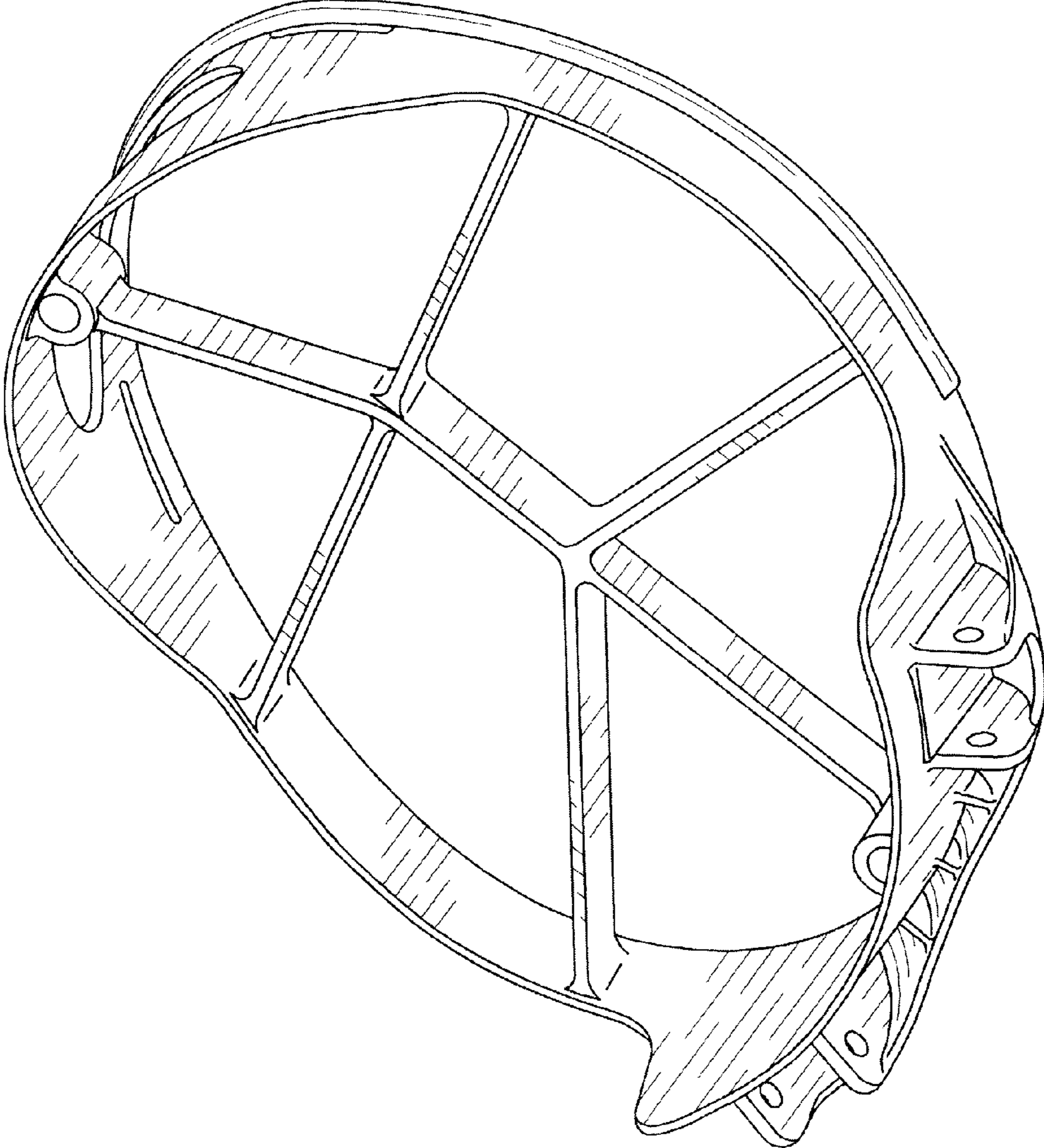


FIGURE 8