



US00D517806S

(12) **United States Design Patent**  
**Charuwongkhachton**

(10) **Patent No.:** **US D517,806 S**  
(45) **Date of Patent:** **\*\* Mar. 28, 2006**

(54) **FLATTEN BASKET**

(75) Inventor: **Thaweessin Charuwongkhachton,**  
Samuthsakorn (TH)

(73) Assignee: **Dynamic Promotion Co., Ltd.** (TH)

(\*\*) Term: **14 Years**

(21) Appl. No.: **29/221,796**

(22) Filed: **Jan. 20, 2005**

(51) **LOC (8) Cl.** ..... **03-01**

(52) **U.S. Cl.** ..... **D3/305; D3/309**

(58) **Field of Classification Search** ..... D3/20,  
D3/200, 201, 203.1, 203.3, 205, 206, 273,  
D3/276, 304-315; D6/525, 475, 476; D19/75,  
D19/77, 86, 90, 92, 100; 206/203, 214, 215,  
206/822, 307.1; 229/100, 914, 913, 406  
See application file for complete search history.

(56) **References Cited**

**U.S. PATENT DOCUMENTS**

D234,616 S \* 3/1975 Meyers ..... D21/465  
4,941,586 A \* 7/1990 Tarna ..... 222/572  
D471,015 S \* 3/2003 Lacy et al. .... D3/307  
D508,322 S \* 8/2005 Horst ..... D3/315

**FOREIGN PATENT DOCUMENTS**

DE 1727705 8/1956  
DE 1918837 1/1970

DE 19711915 A1 10/1998  
DE 20301158 U1 3/2003  
FR 932019 3/1948  
FR 1127605 12/1956

\* cited by examiner

*Primary Examiner*—Louis S. Zarfaz

*Assistant Examiner*—John Windmuller

(74) *Attorney, Agent, or Firm*—Welsh & Katz, Ltd.;  
Thomas W. Tolpin

(57) **CLAIM**

The ornamental design for a flatten basket, as shown and described.

**DESCRIPTION**

The flatten basket provides a collapsible basket containers with a carrying handle for pizzas.

FIG. 1 is a front perspective view of a flatten basket showing my new design;

FIG. 2 is a left side elevational view thereof; the right side elevational view being identical;

FIG. 3 is a top plan view thereof;

FIG. 4 is a front elevational view thereof, the rear elevational view being identical;

FIG. 5 is a bottom plan view thereof;

FIG. 6 is a front view thereof in a partially collapsed position; and,

FIG. 7 is a front view thereof in a fully collapsed storage position.

**1 Claim, 3 Drawing Sheets**

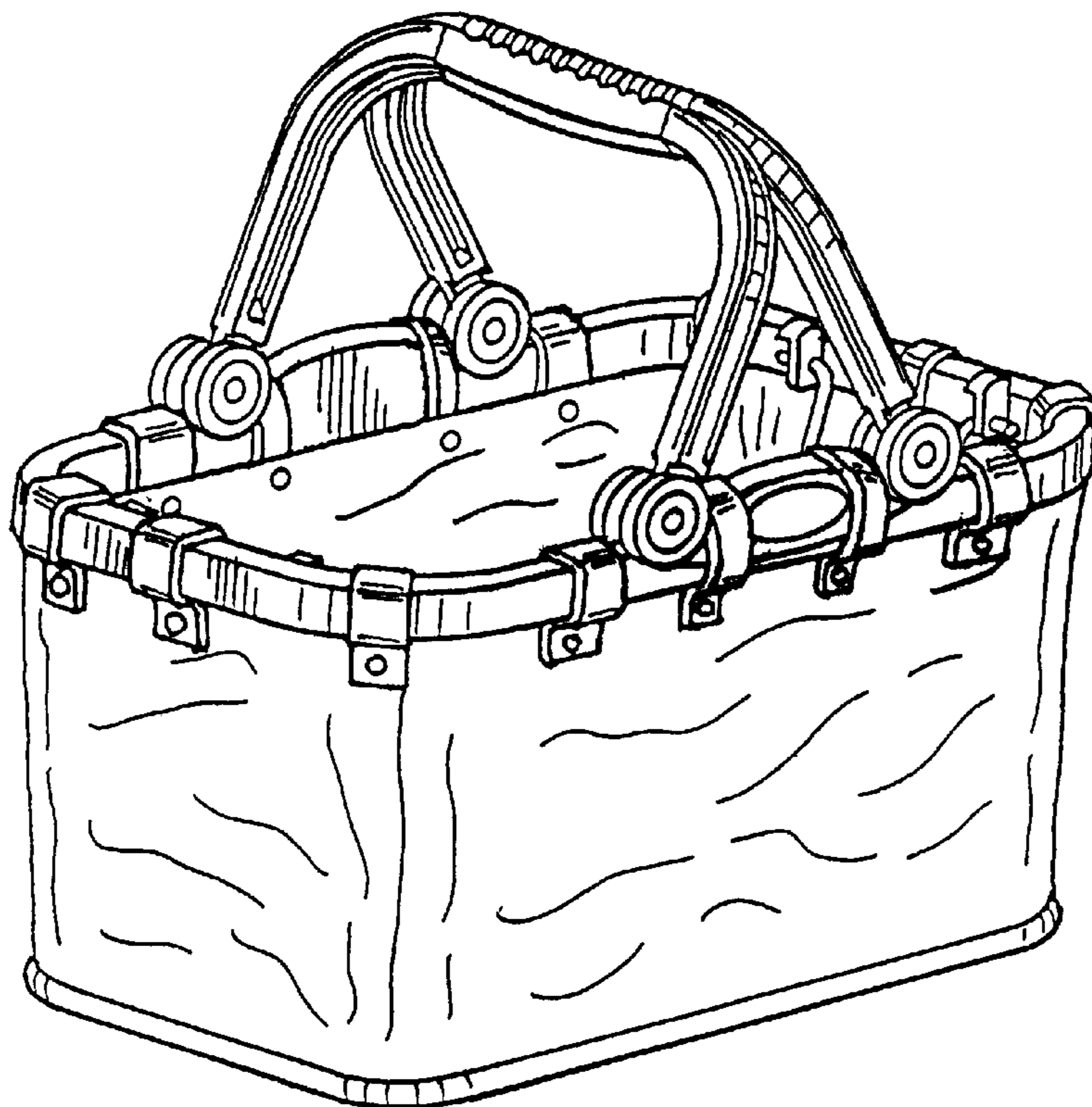


FIG. 1

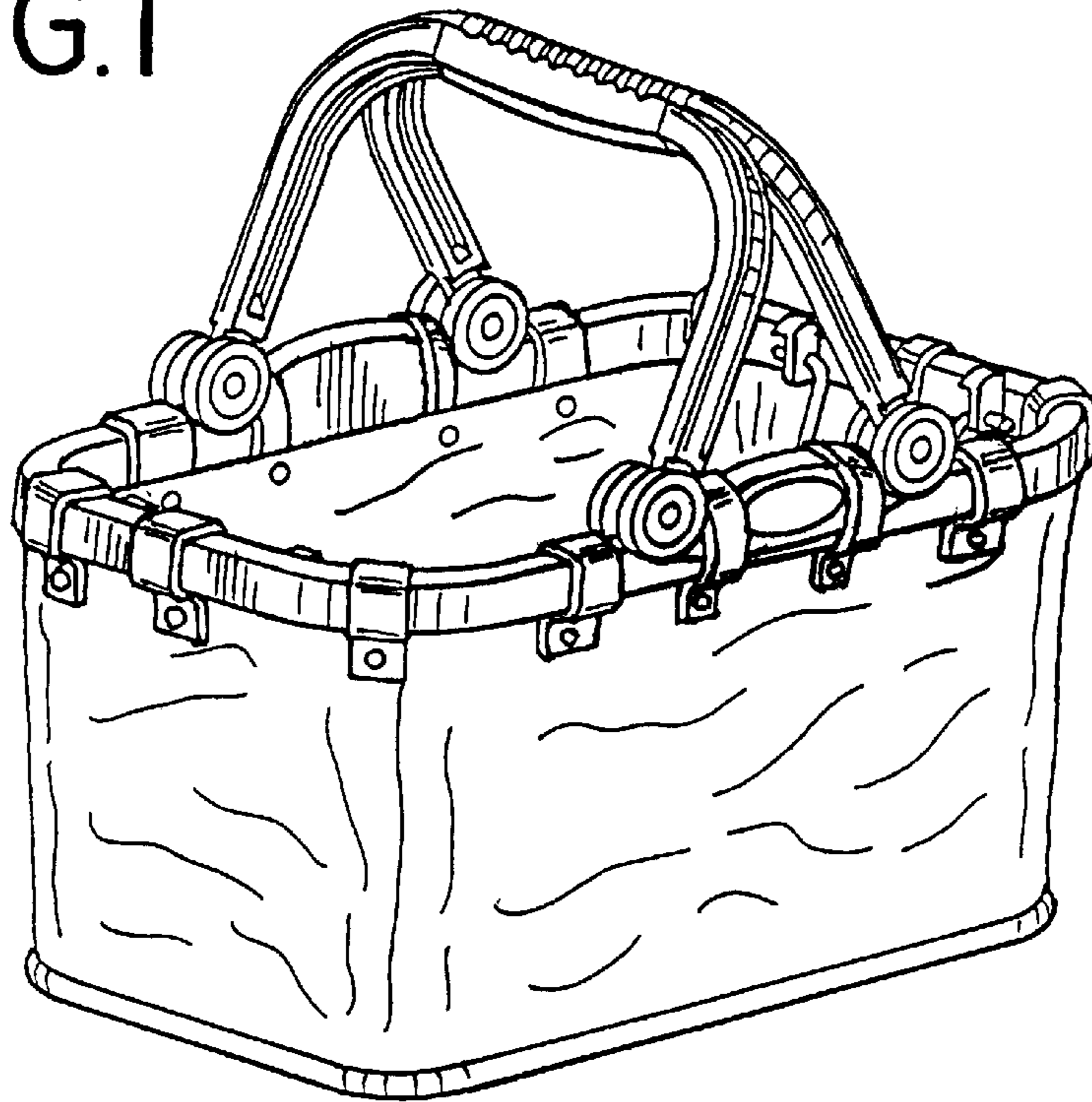


FIG. 2

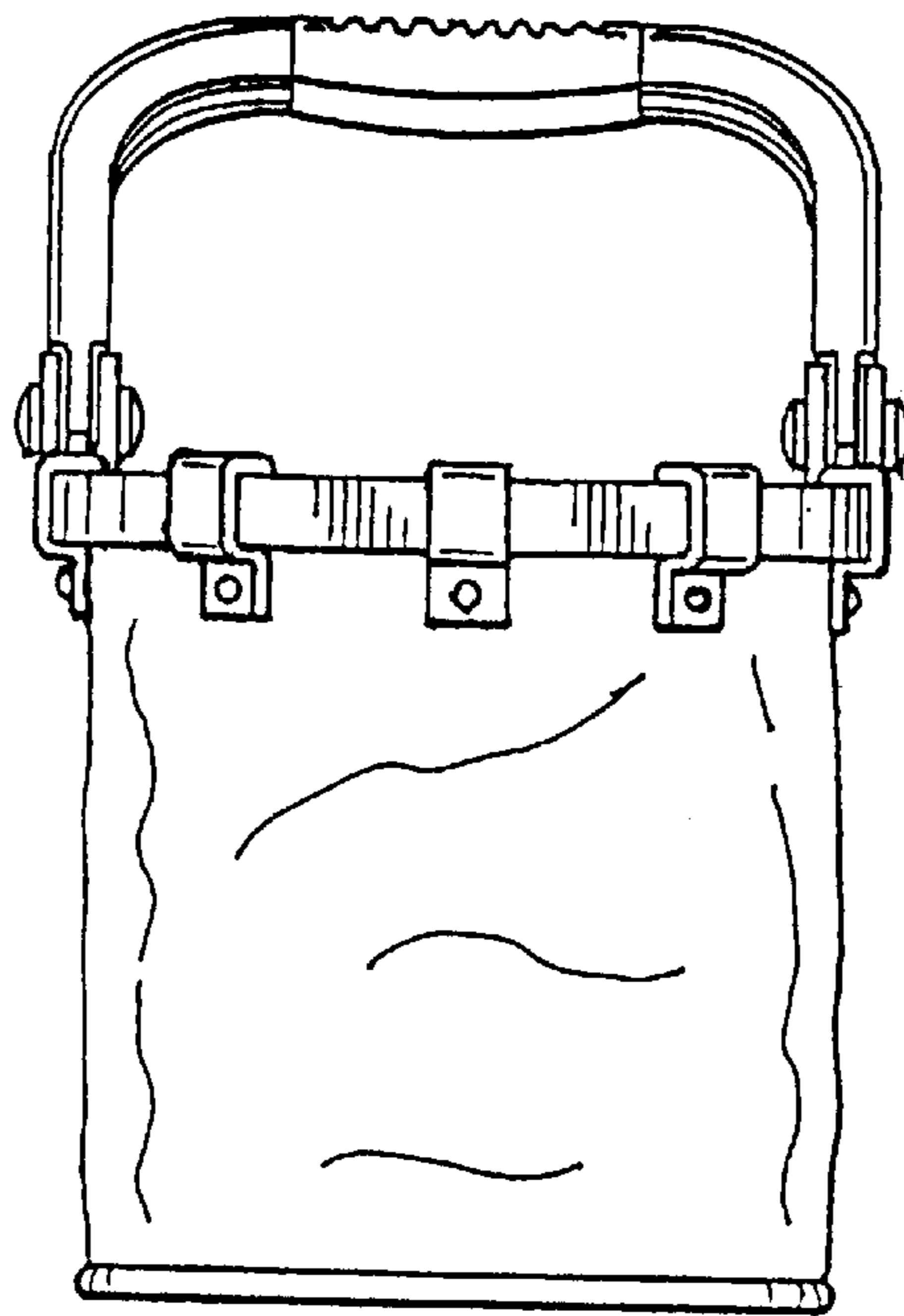


FIG.3

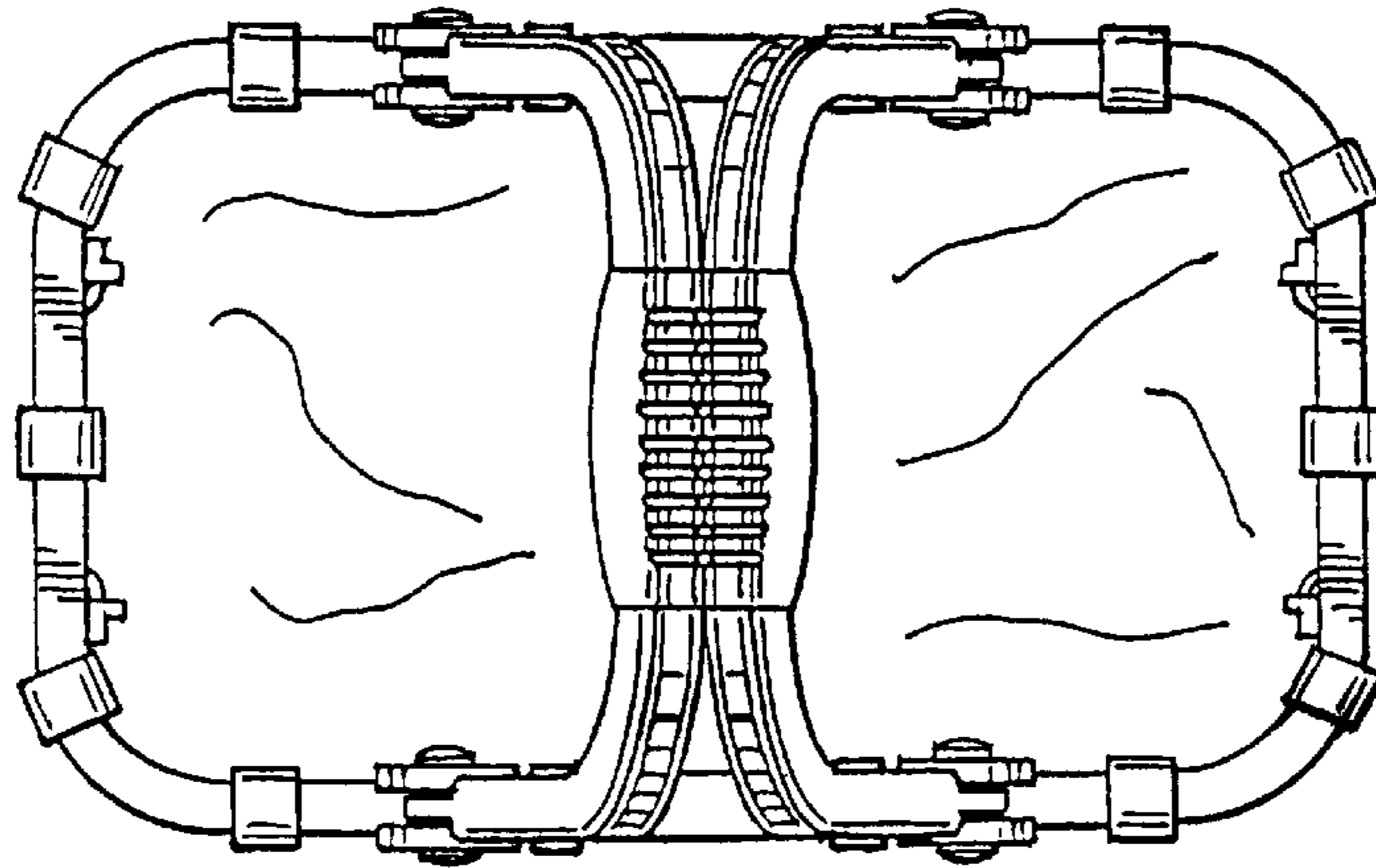


FIG.4

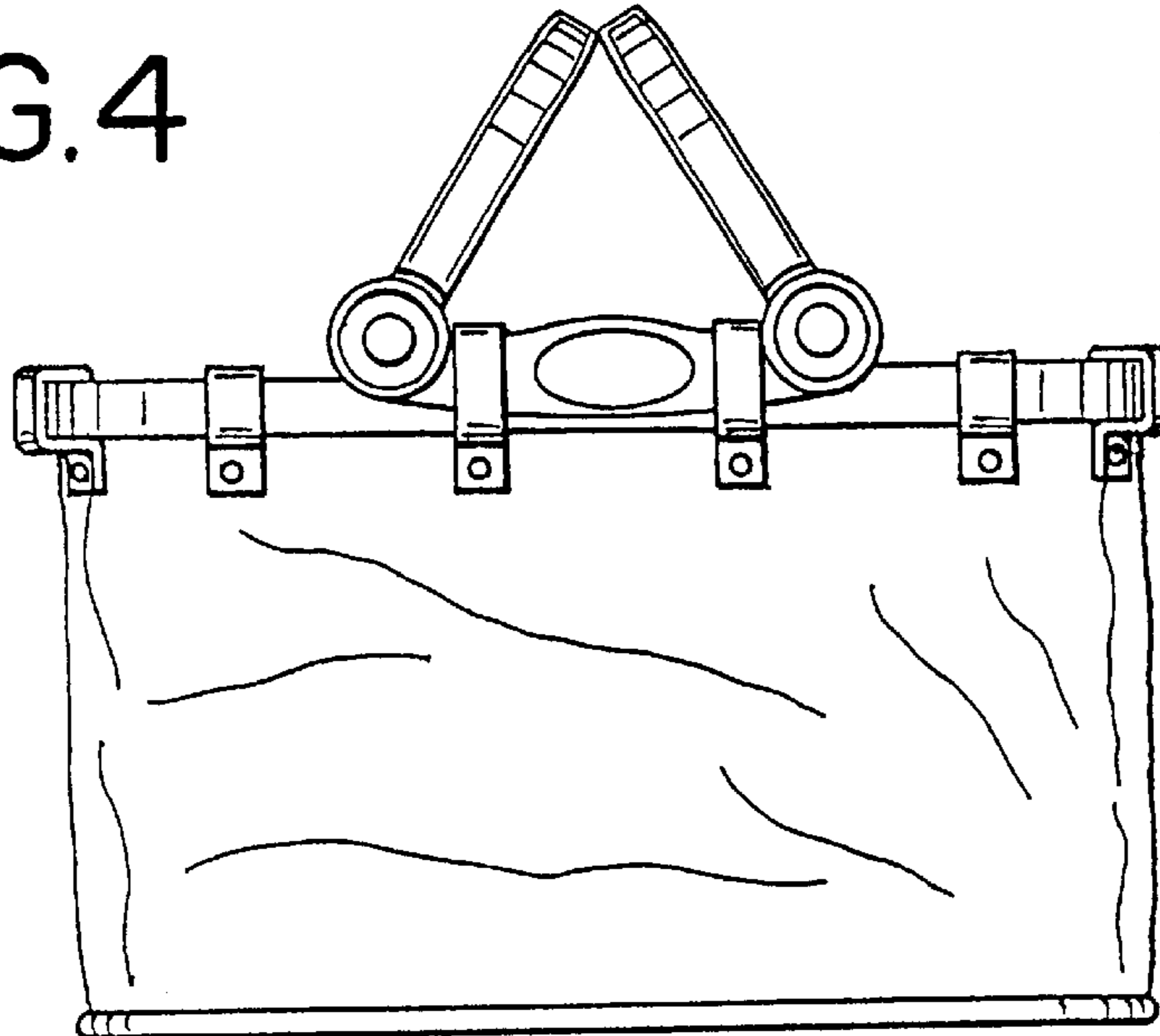


FIG.5

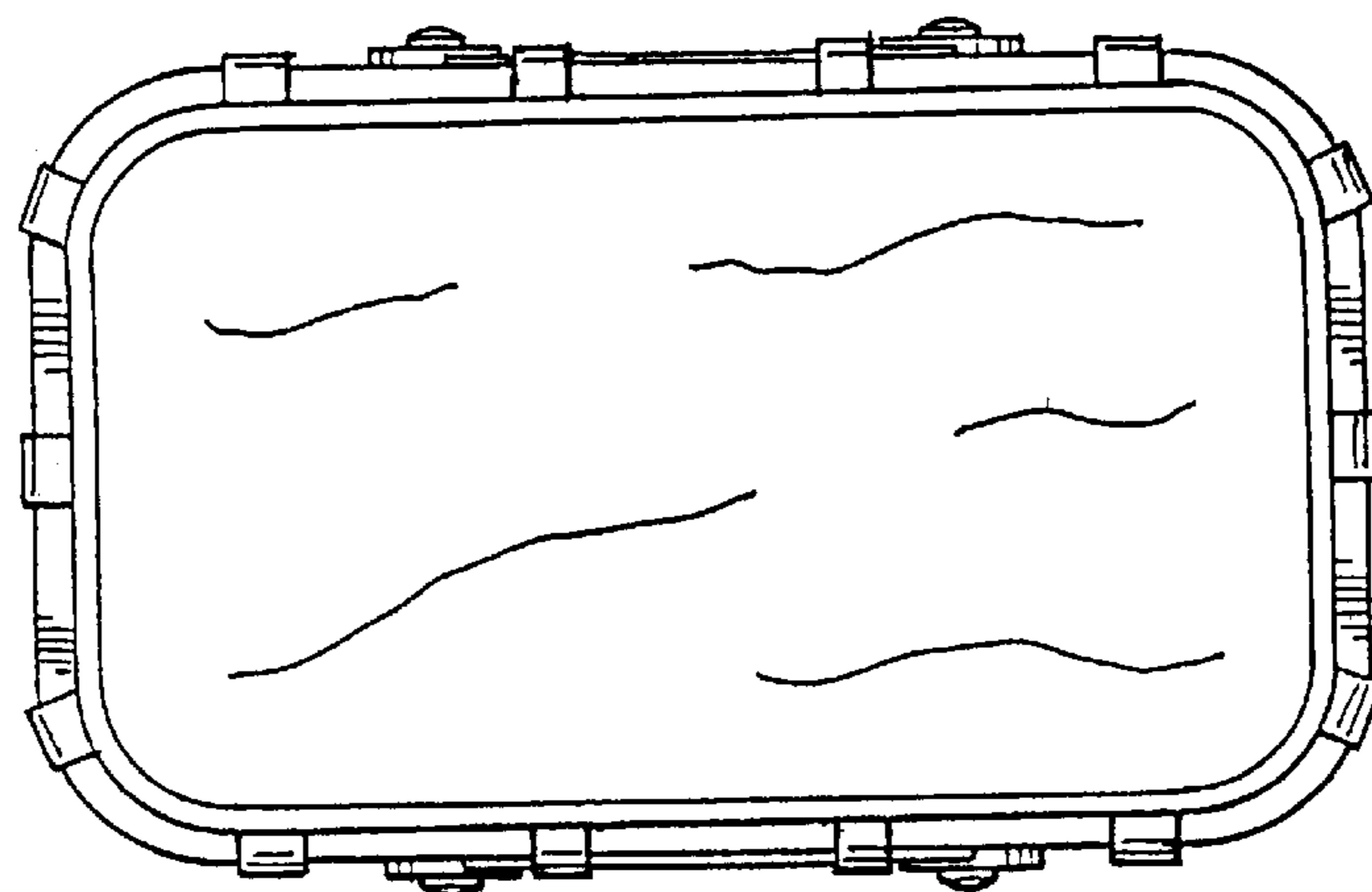


FIG.6

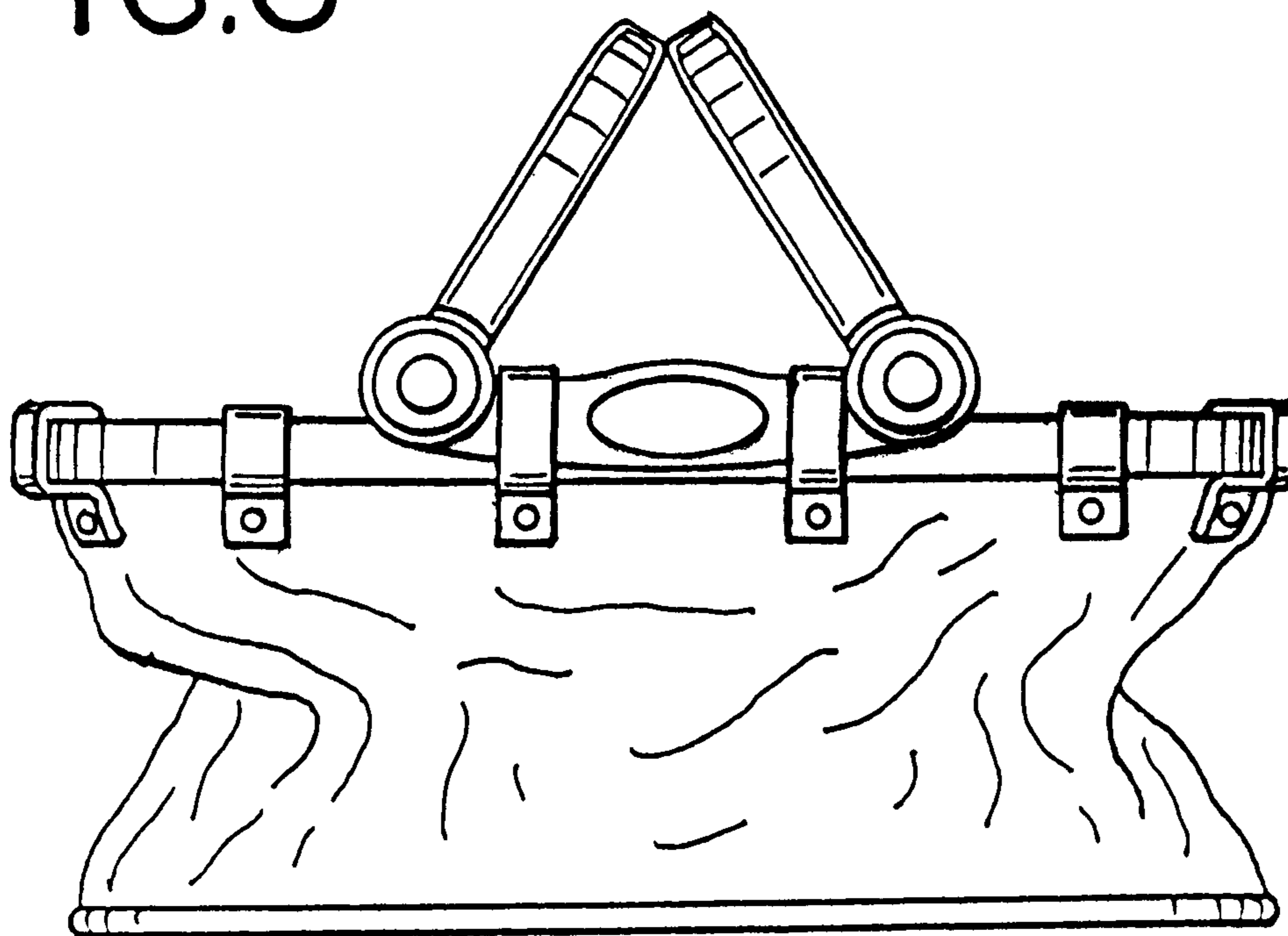


FIG.7

