



US00D517805S

(12) **United States Design Patent**
Hosking

(10) **Patent No.:** **US D517,805 S**

(45) **Date of Patent:** **** Mar. 28, 2006**

(54) **TOOLBOX**

(75) Inventor: **Peter J. Hosking**, Victoria (AU)

(73) Assignee: **GMCA PTY Ltd.** (AU)

(**) Term: **14 Years**

(21) Appl. No.: **29/202,193**

(22) Filed: **Mar. 26, 2004**

(30) **Foreign Application Priority Data**

Oct. 17, 2003 (EM) 91756

(51) **LOC (8) Cl.** **03-01**

(52) **U.S. Cl.** **D3/295; D3/297; D3/291;**
D3/905

(58) **Field of Classification Search** D3/273,
D3/274, 276, 281, 282, 283, 284, 291, 294,
D3/295, 296, 905; 206/349, 372, 373, 378;
312/902, 345.6, 351.3

See application file for complete search history.

(56) **References Cited**

U.S. PATENT DOCUMENTS

D315,445 S * 3/1991 Lanius D3/281
5,762,411 A * 6/1998 Yemini 312/290
5,857,757 A * 1/1999 Bieker et al. 312/351.3
D416,682 S * 11/1999 Tanji D3/294
D417,783 S * 12/1999 Wolf D3/297

D418,294 S * 1/2000 Tanji D3/276
D434,225 S * 11/2000 Story et al. D3/281
6,193,062 B1 * 2/2001 Rysgaard et al. 206/315.11
6,422,386 B1 * 7/2002 Wiese et al. 206/373
2002/0125159 A1 * 9/2002 Hann 206/372

* cited by examiner

Primary Examiner—Philip S. Hyder

(74) *Attorney, Agent, or Firm*—McKee, Voorhees & Sease,
P.L.C.

(57) **CLAIM**

I claim the ornamental design for a toolbox, substantially as
shown.

DESCRIPTION

FIG. 1 is a front perspective view of the toolbox.

FIG. 2 is a rear perspective view of the toolbox.

FIG. 3 is a front view of the toolbox.

FIG. 4 is a rear view of the toolbox.

FIG. 5 is a first side view of the toolbox.

FIG. 6 is a second side view of the toolbox.

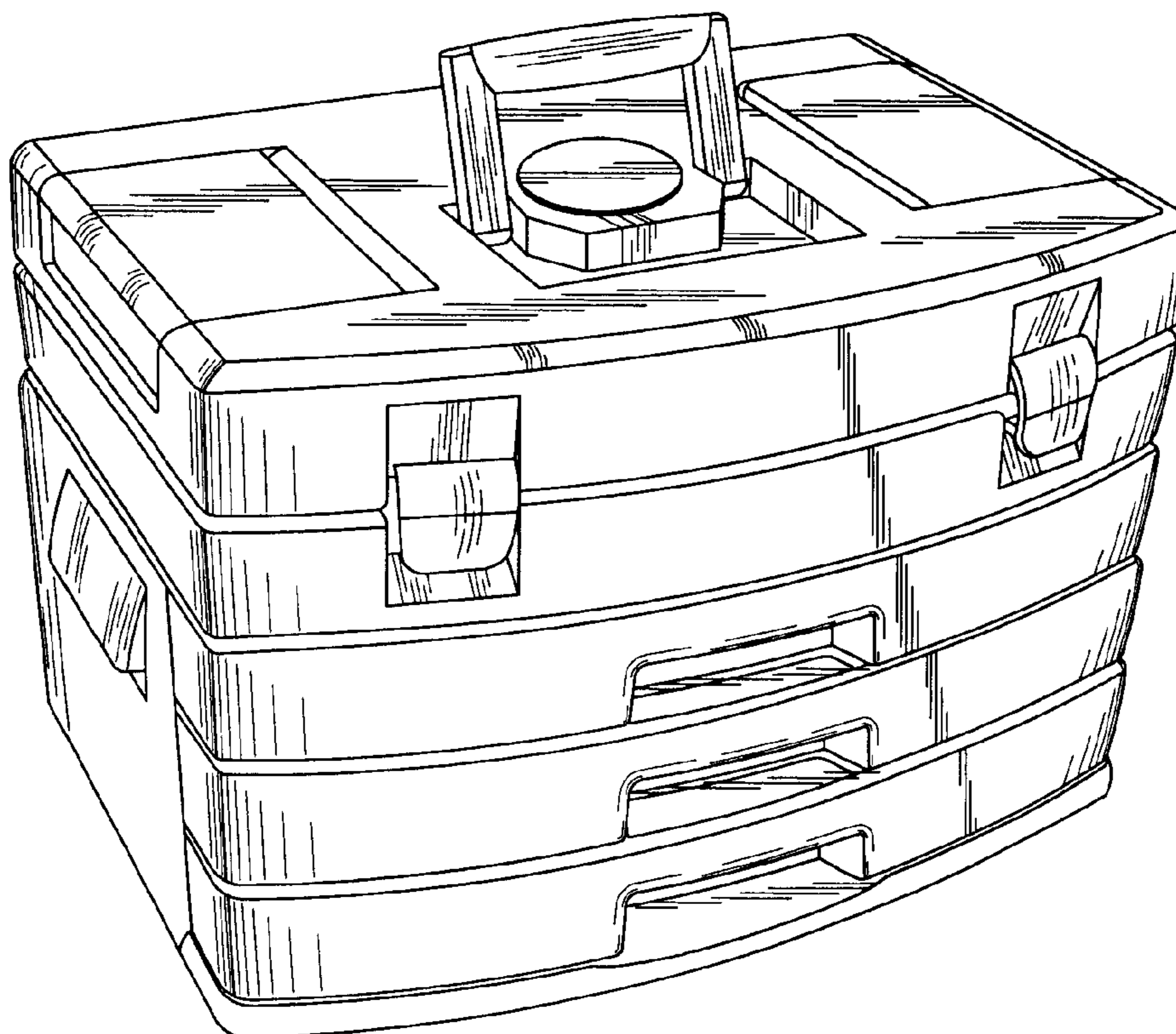
FIG. 7 is a top plan view of the toolbox.

FIG. 8 is a bottom plan view of the toolbox.

FIG. 9 is the front view of the toolbox showing the drawers
and cover of the toolbox set in the open position; and,

FIG. 10 is the first side view of the toolbox showing the
drawers and cover of the toolbox set in the open position.

1 Claim, 7 Drawing Sheets



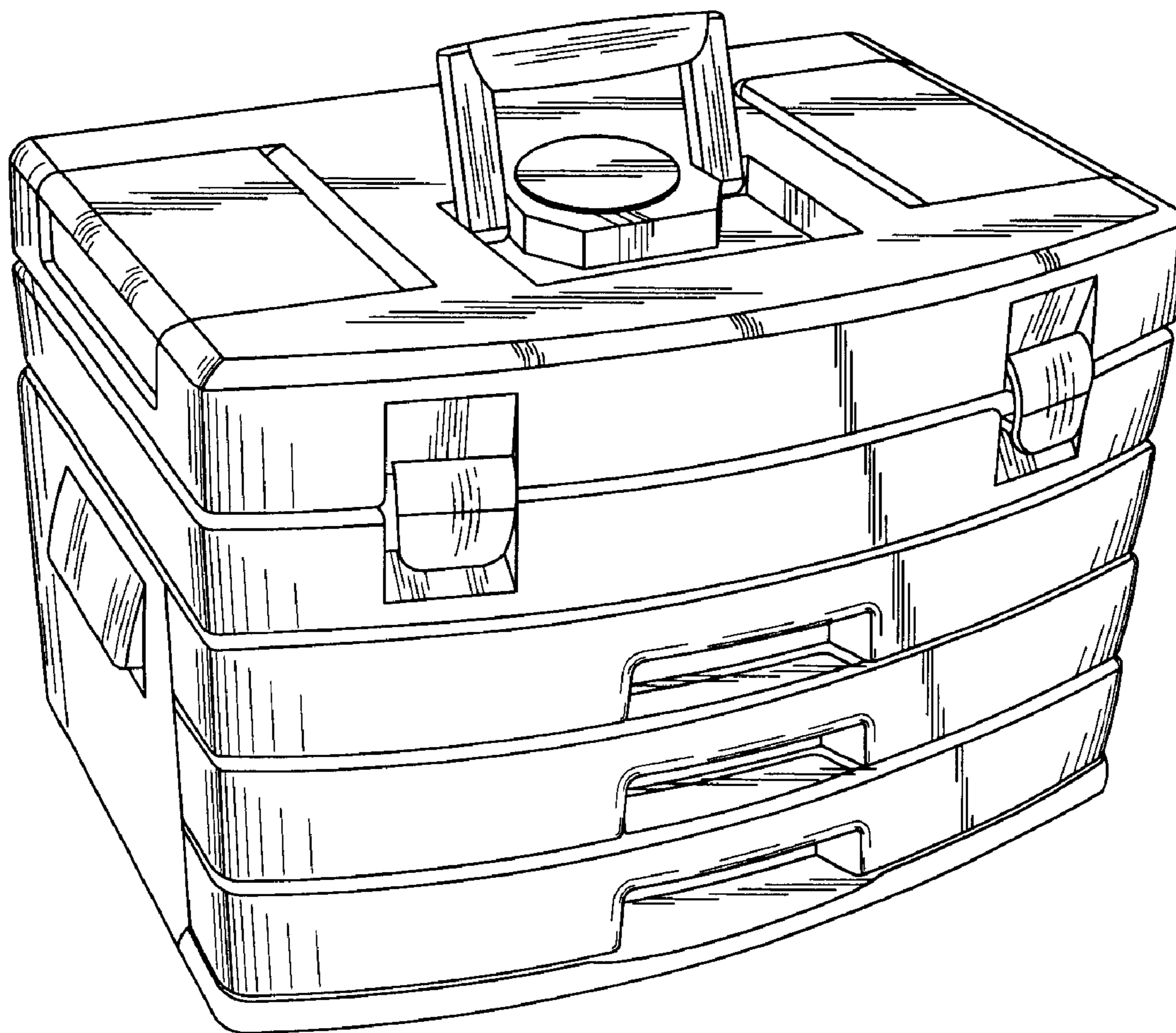


Fig. 1

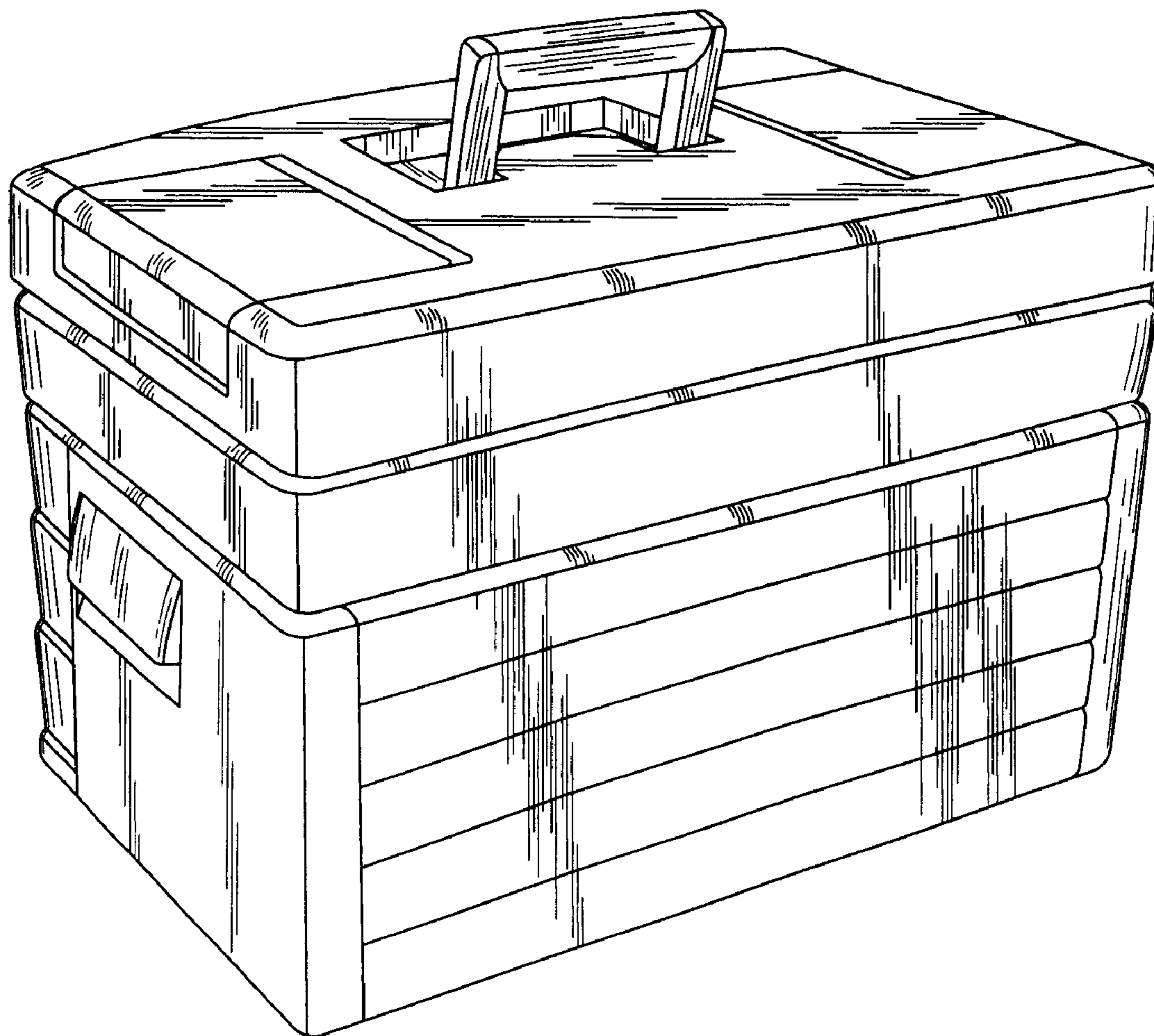


Fig. 2

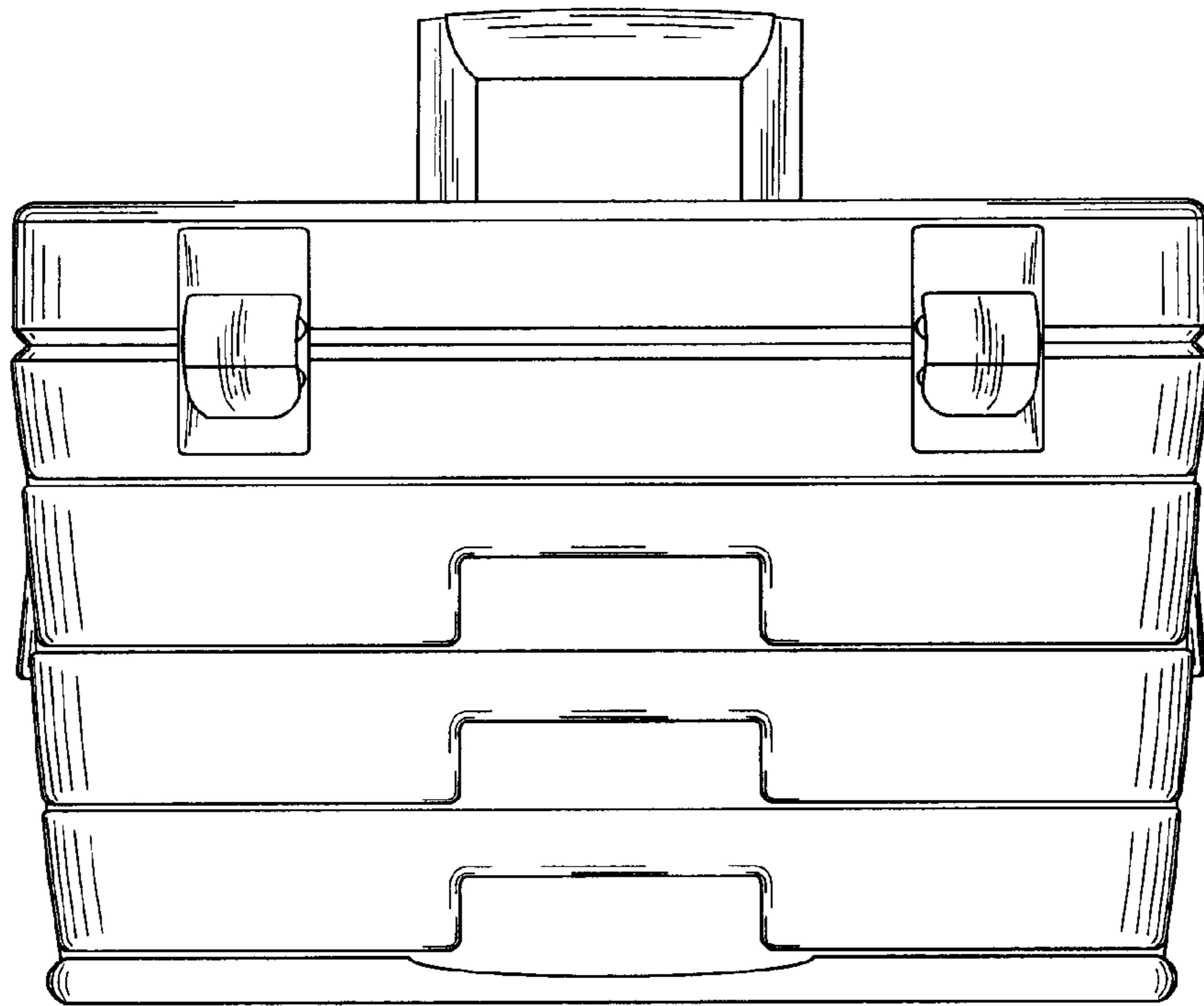


Fig. 3

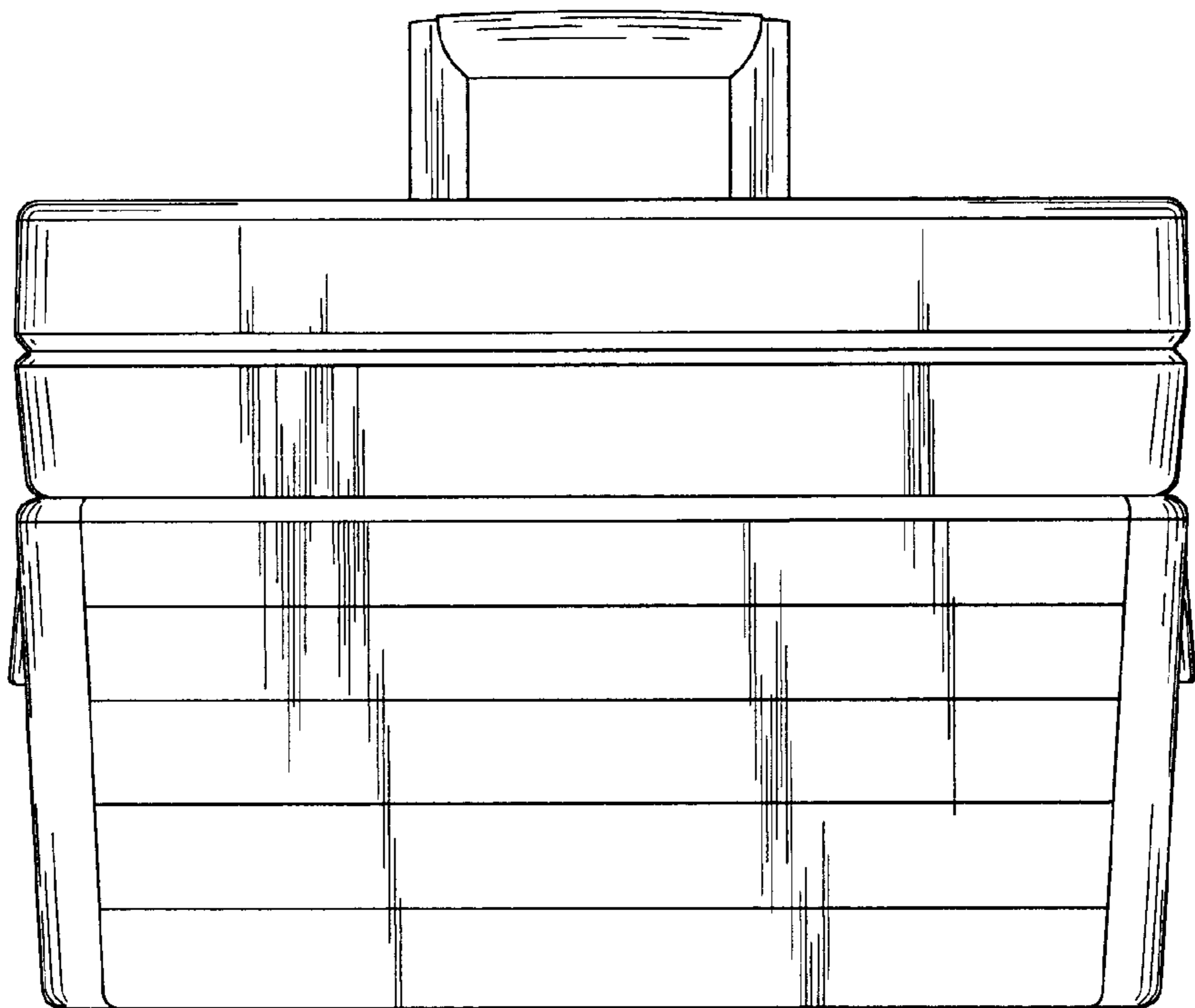


Fig. 4

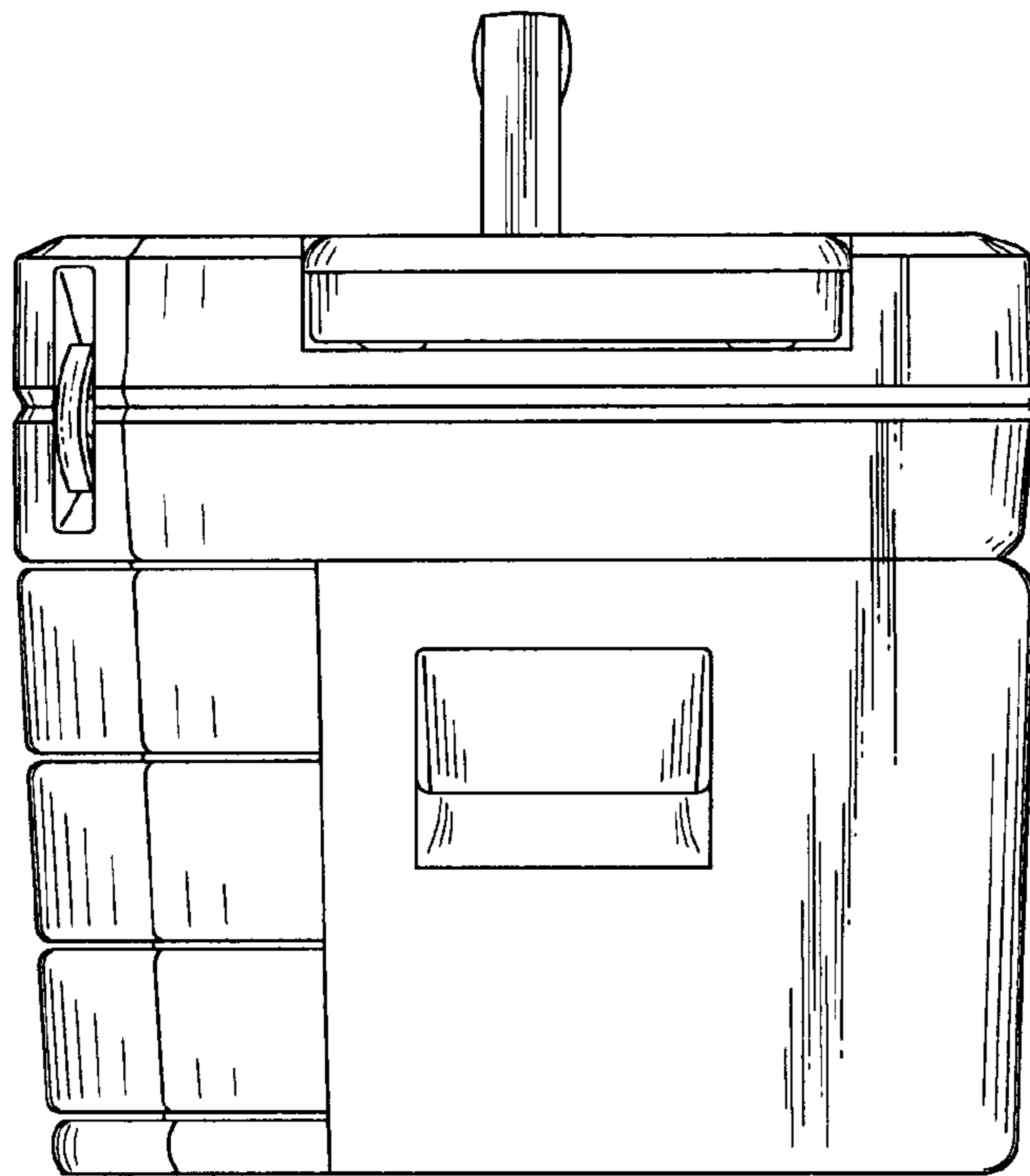


Fig. 5

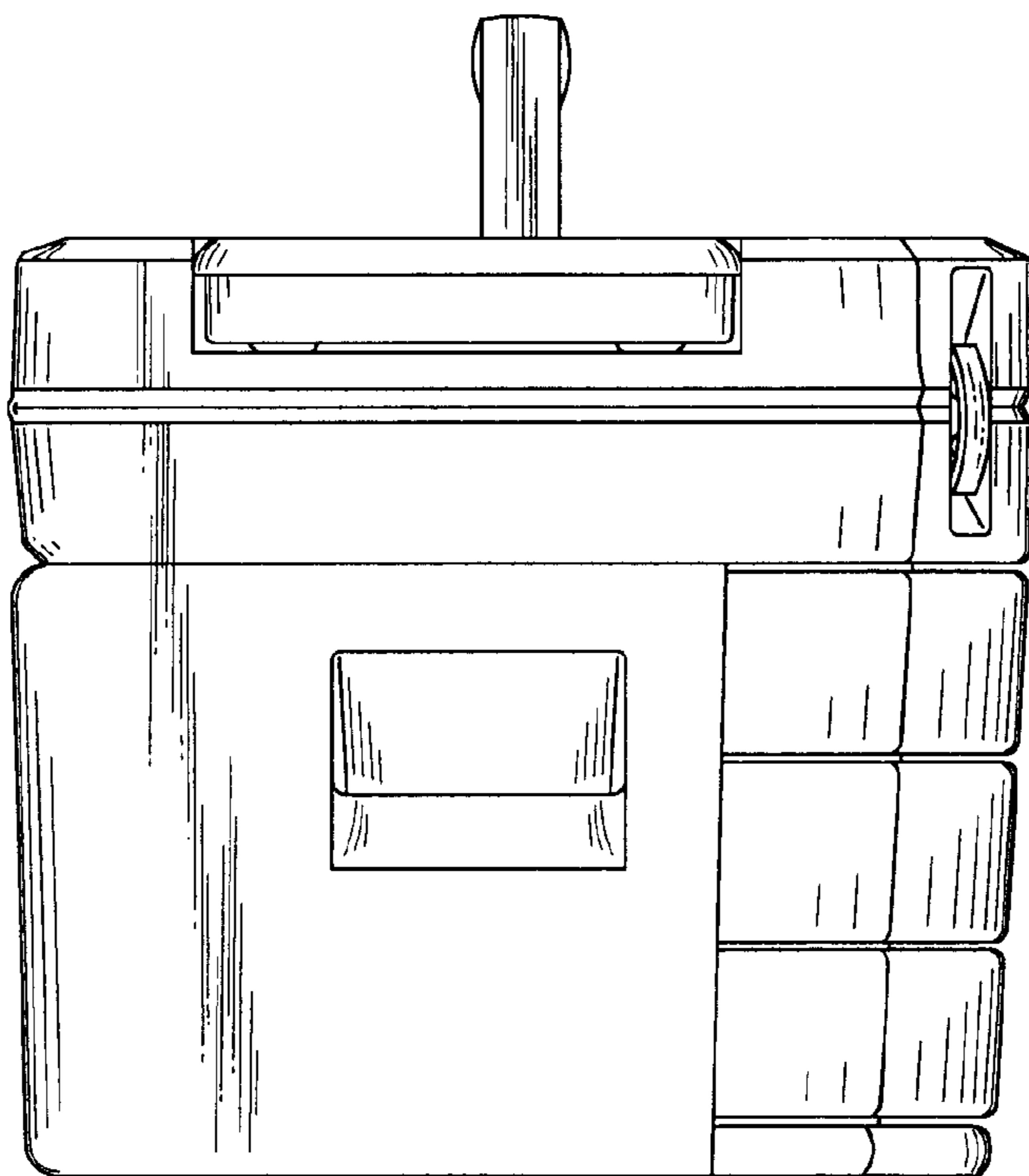


Fig. 6

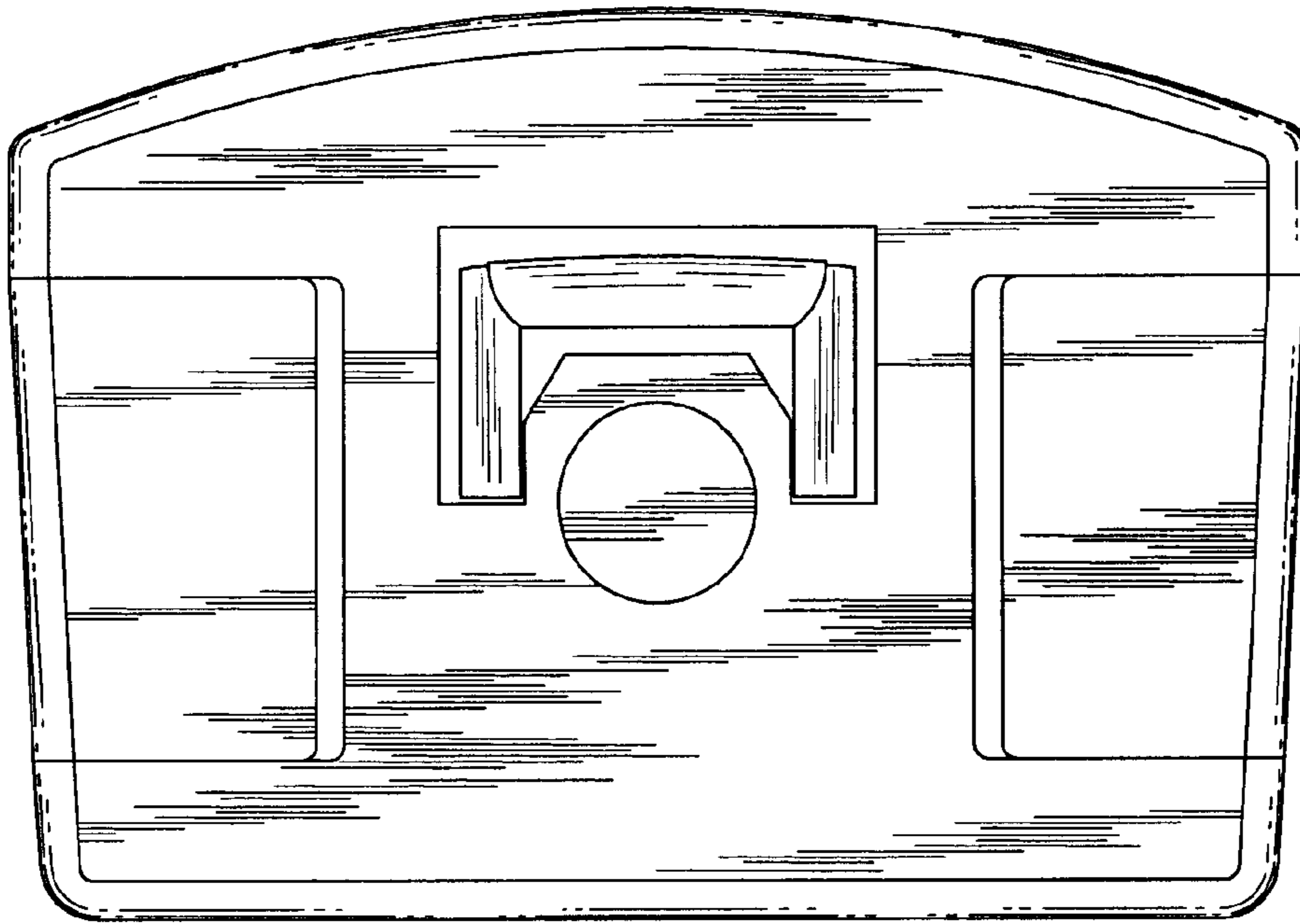


Fig. 7

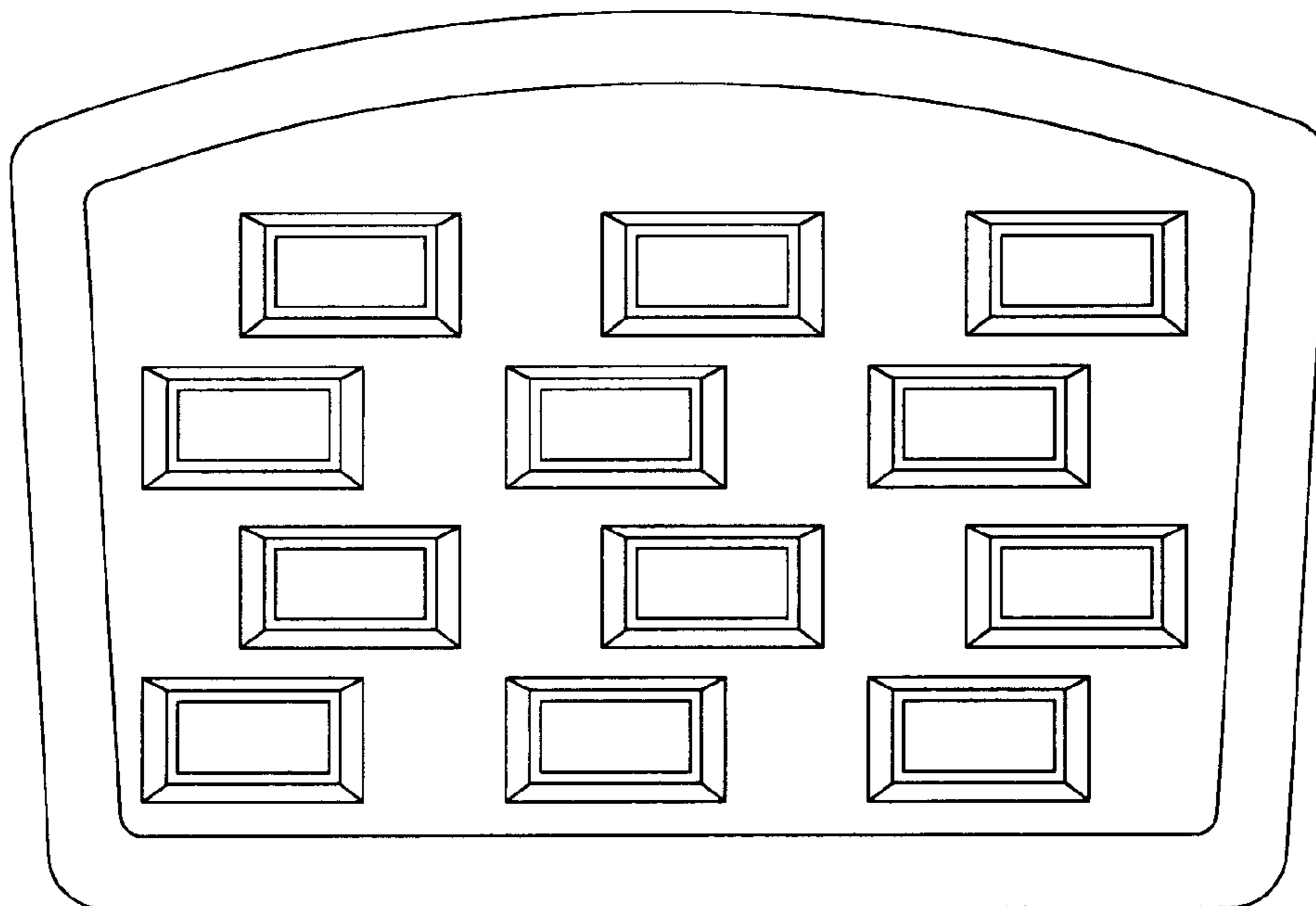


Fig. 8

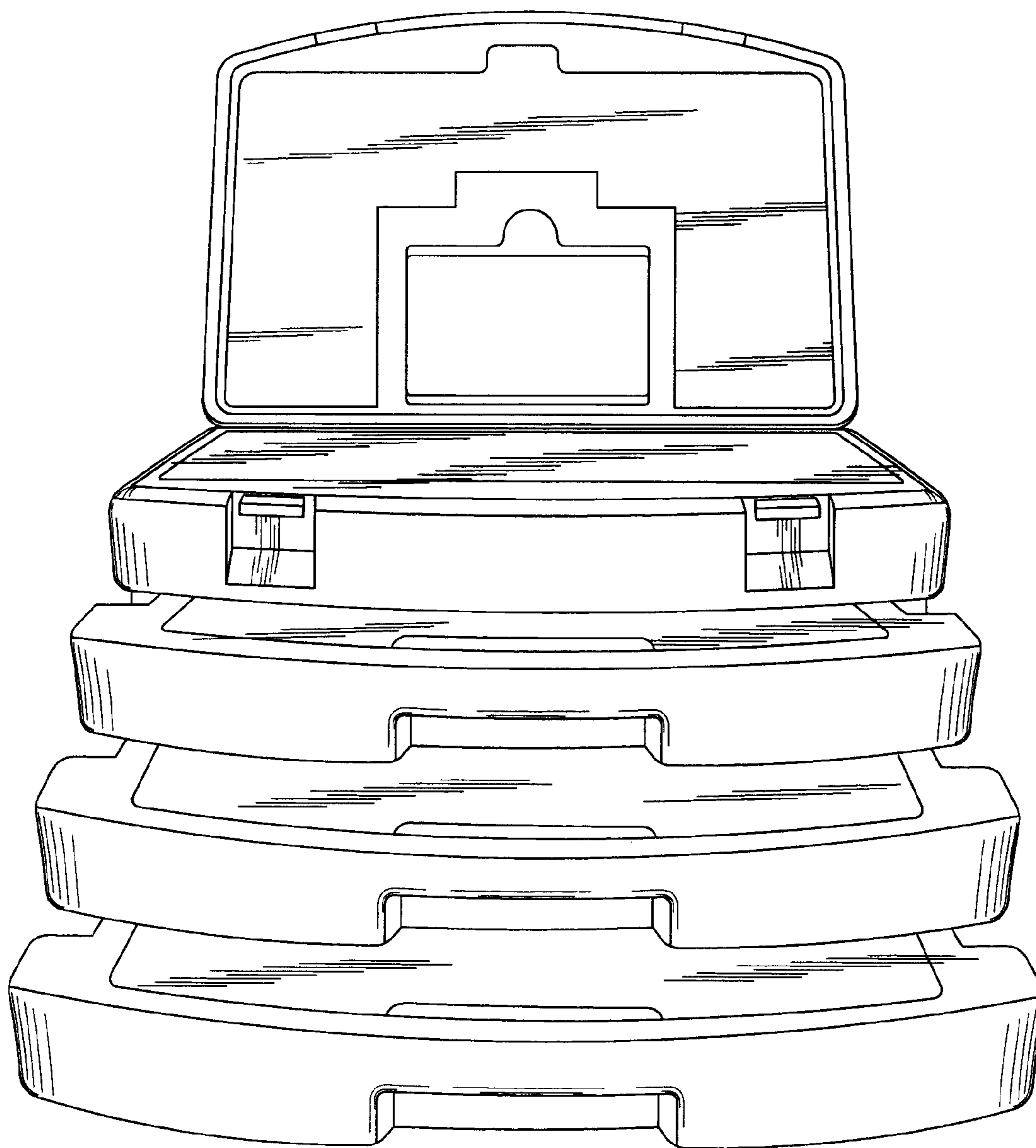


Fig. 9

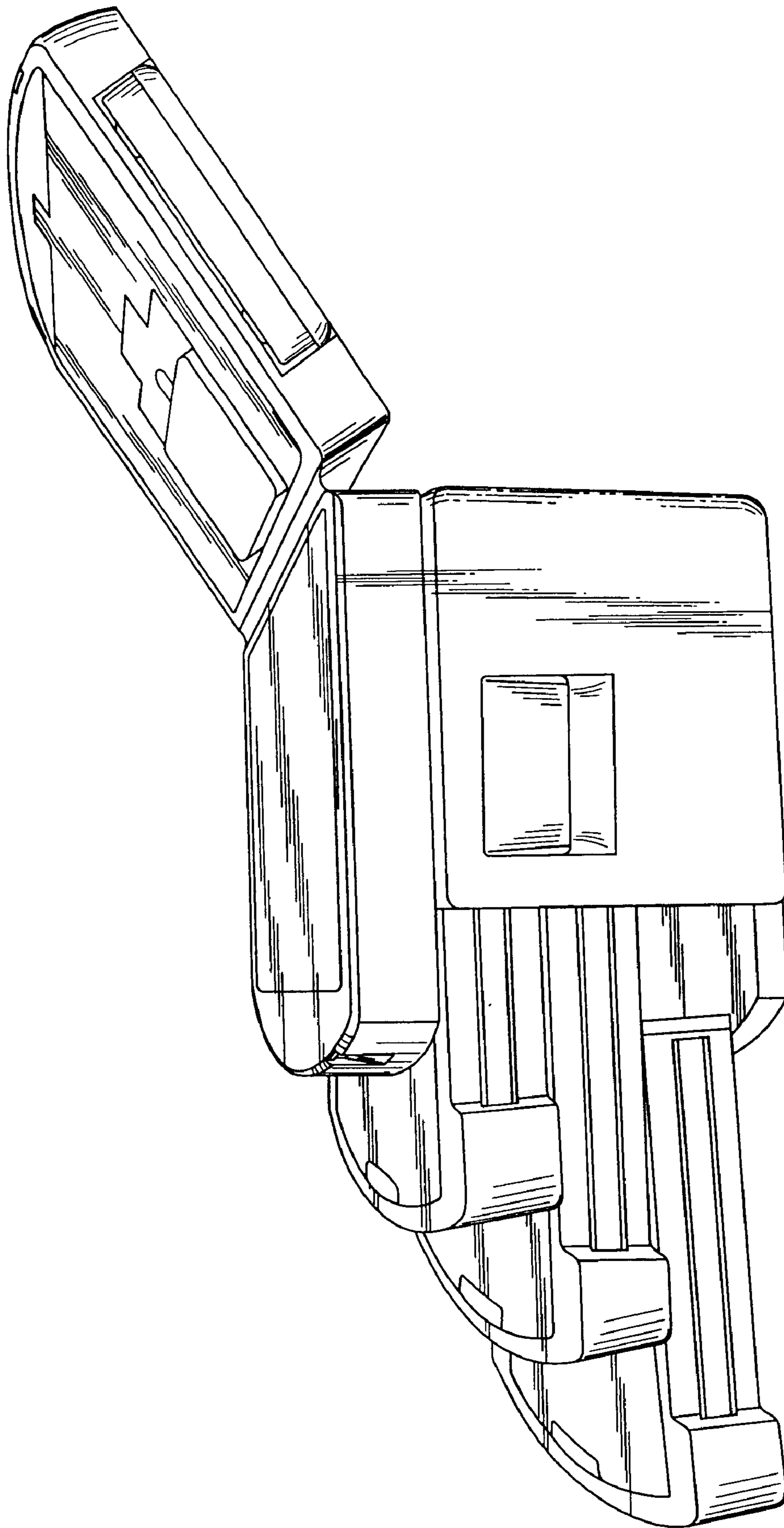


Fig. 10