



US00D517801S

(12) **United States Design Patent**
Woo

(10) **Patent No.:** **US D517,801 S**
(45) **Date of Patent:** **** Mar. 28, 2006**

(54) **BACKPACK**

(76) **Inventor:** **Wallace Woo**, 1590 Milliken Ave., Unit #E, Ontario, CA (US) 91761

(**) **Term:** **14 Years**

(21) **Appl. No.:** **29/203,662**

(22) **Filed:** **Apr. 19, 2004**

(51) **LOC (8) Cl.** **03-03**

(52) **U.S. Cl.** **D3/217; D2/217**

(58) **Field of Classification Search** D3/216,
D3/217, 242; 224/153, 155, 578, 582, 579,
224/636; 2/647; D2/233
See application file for complete search history.

(56) **References Cited**

U.S. PATENT DOCUMENTS

| | | | | | |
|-------------|---|---------|----------------|-------|---------|
| D302,766 S | * | 8/1989 | Johnston | | D3/233 |
| D302,903 S | * | 8/1989 | Johnston | | D3/274 |
| D304,881 S | * | 12/1989 | Zinbarg et al. | | D3/274 |
| D351,943 S | * | 11/1994 | Young | | D3/216 |
| 5,409,152 A | * | 4/1995 | Trevino | | 224/576 |
| D388,248 S | * | 12/1997 | Rohrbach | | D3/217 |
| D403,853 S | * | 1/1999 | Lothrop et al. | | D3/216 |
| 5,897,042 A | * | 4/1999 | Sims | | 224/576 |
| D409,378 S | * | 5/1999 | Lidsky | | D3/218 |
| 5,927,581 A | * | 7/1999 | Reddy et al. | | 224/578 |
| D415,889 S | * | 11/1999 | Parker et al. | | D3/217 |
| D418,972 S | * | 1/2000 | Gold | | D3/217 |

| | | | | | |
|-----------------|---|---------|------------------|-------|---------|
| D457,306 S | * | 5/2002 | Szyf | | D3/217 |
| 6,394,328 B1 | * | 5/2002 | Zakarin | | 224/579 |
| D469,952 S | * | 2/2003 | Daglow et al. | | D3/216 |
| D484,686 S | * | 1/2004 | Nordstrom et al. | | |
| D487,189 S | * | 3/2004 | Ukitsu et al. | | |
| 6,712,249 B1 | * | 3/2004 | Magnusson et al. | | |
| D489,174 S | * | 5/2004 | Shigenaka | | |
| 2002/0148871 A1 | * | 10/2002 | Nakano et al. | | 224/576 |
| 2002/0179653 A1 | * | 12/2002 | Klamm | | |
| 2003/0024960 A1 | * | 2/2003 | Greenstein | | |

* cited by examiner

Primary Examiner—Celia A. Murphy

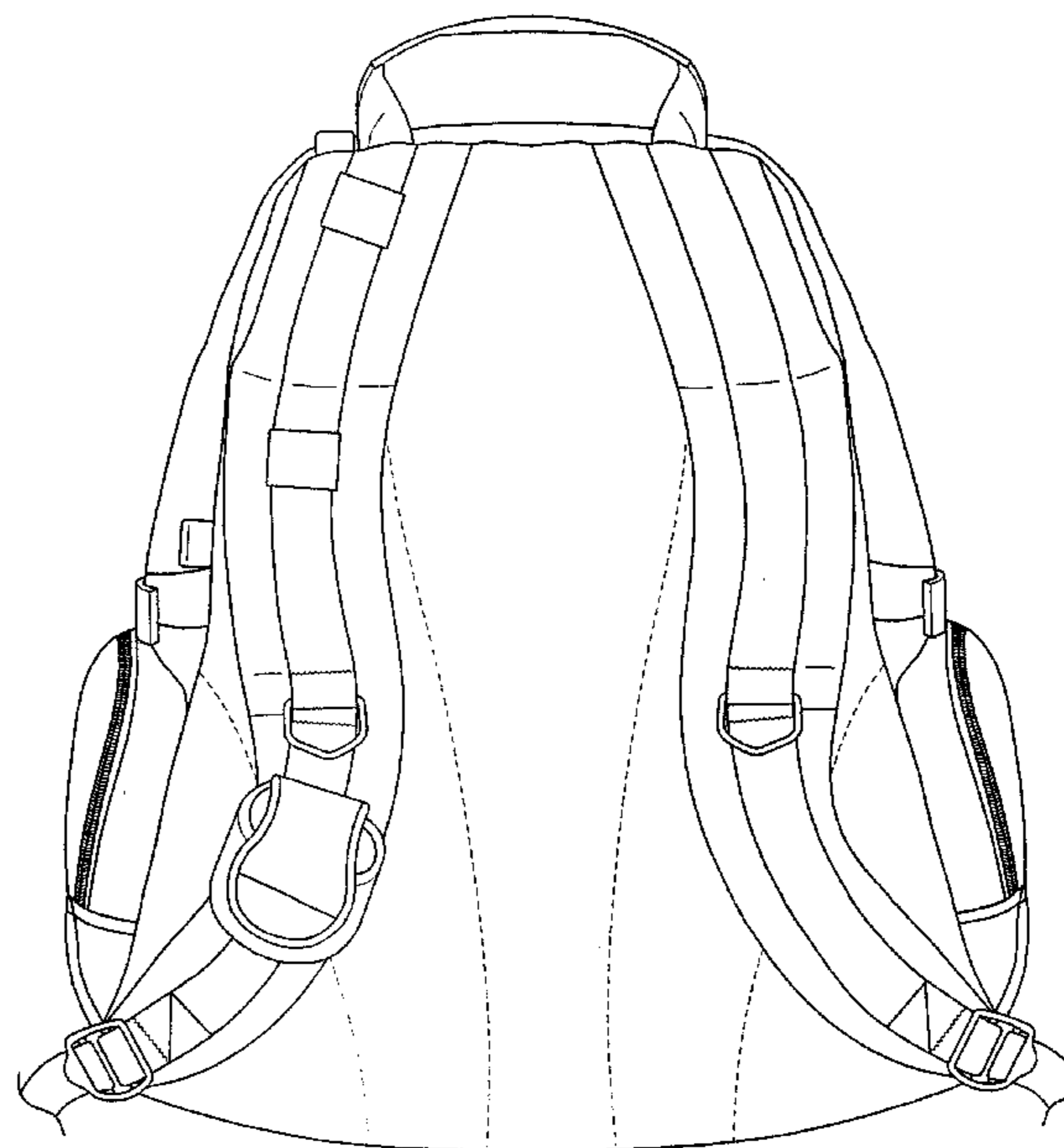
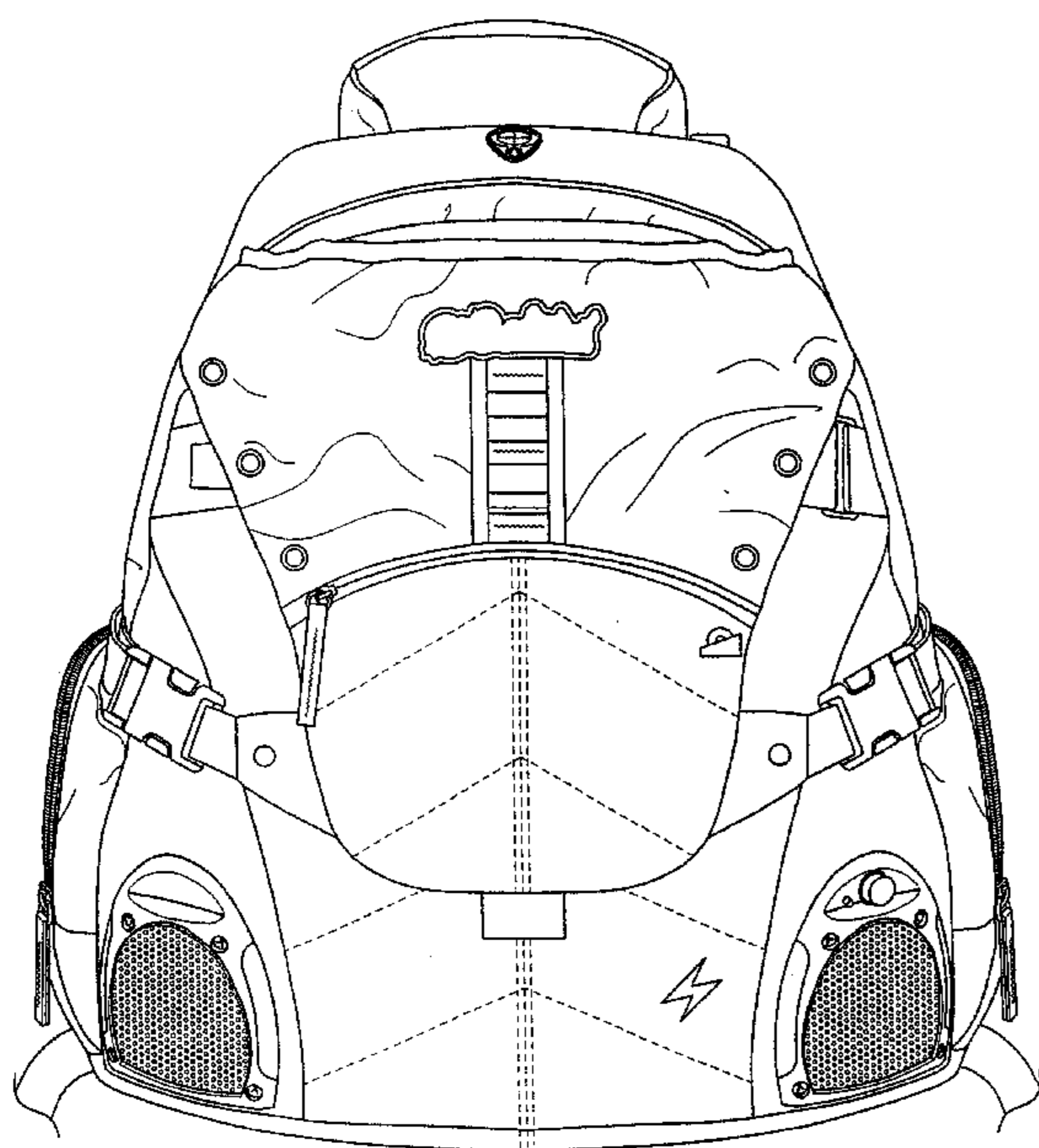
(57) **CLAIM**

The ornamental design for a backpack, as shown and described.

DESCRIPTION

FIG. 1 is a perspective view of a backpack showing my new design, the curved line segments at the strap ends throughout the views being understood as the boundary of the design; FIG. 2 is a right side elevational view thereof; FIG. 3 is a top plan view thereof; FIG. 4 front elevational view thereof; FIG. 5 bottom plan view thereof; FIG. 6 is a left side elevational view thereof; and, FIG. 7 is a rear elevational view thereof. The broken lines shown on the surface of the article throughout the views are understood to represent stitching.

1 Claim, 6 Drawing Sheets



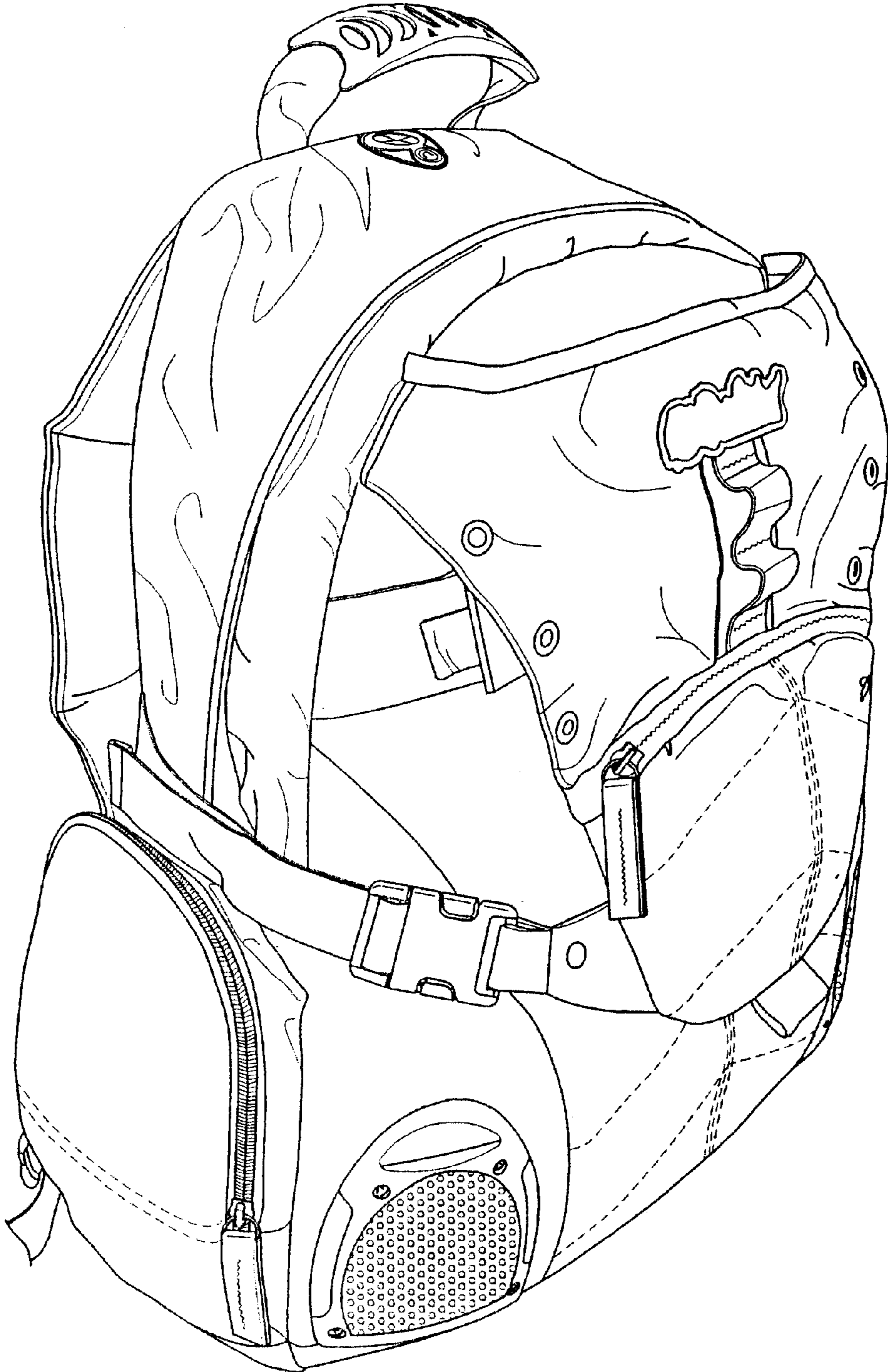


FIG. 1

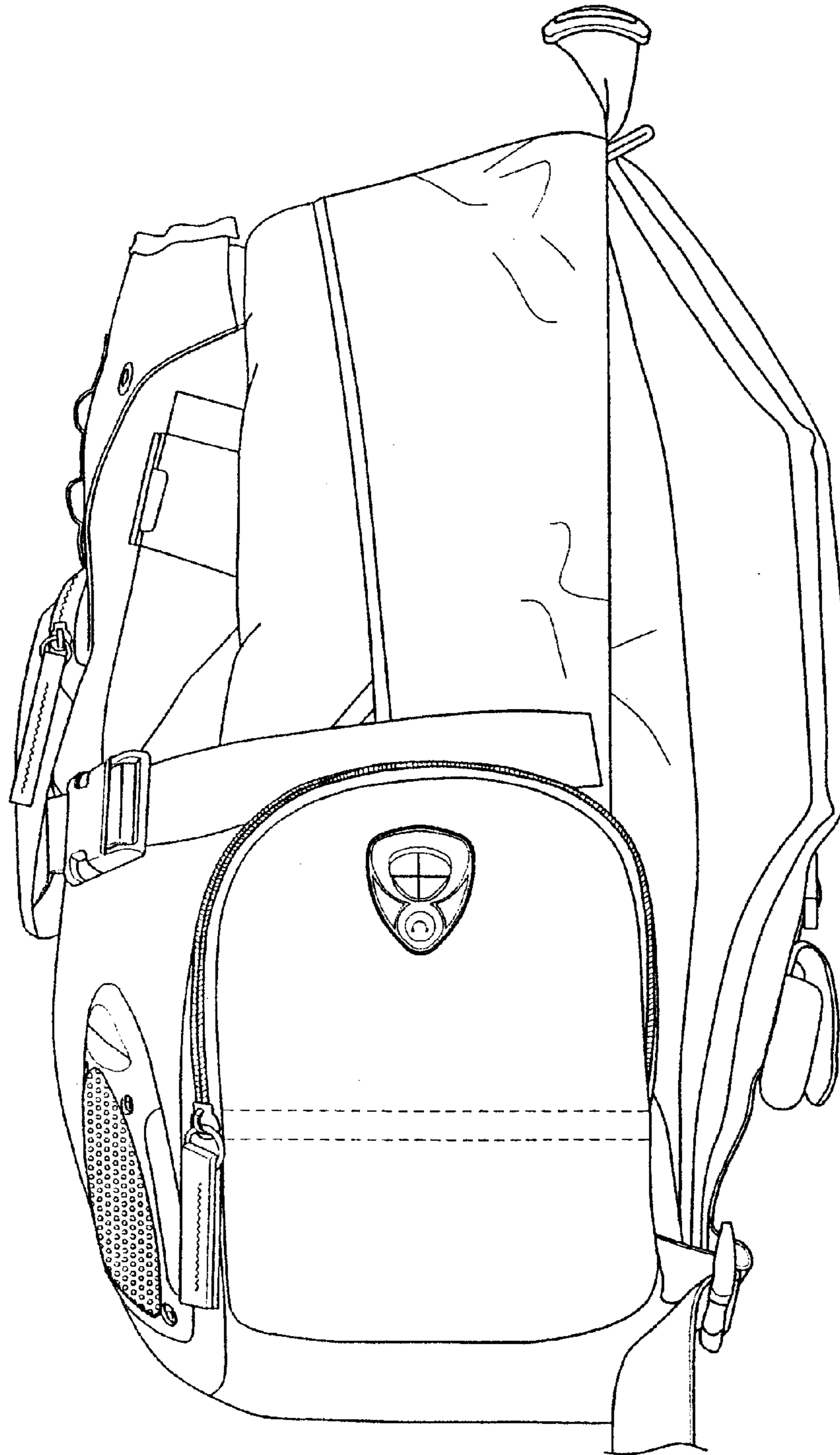


FIG. 2

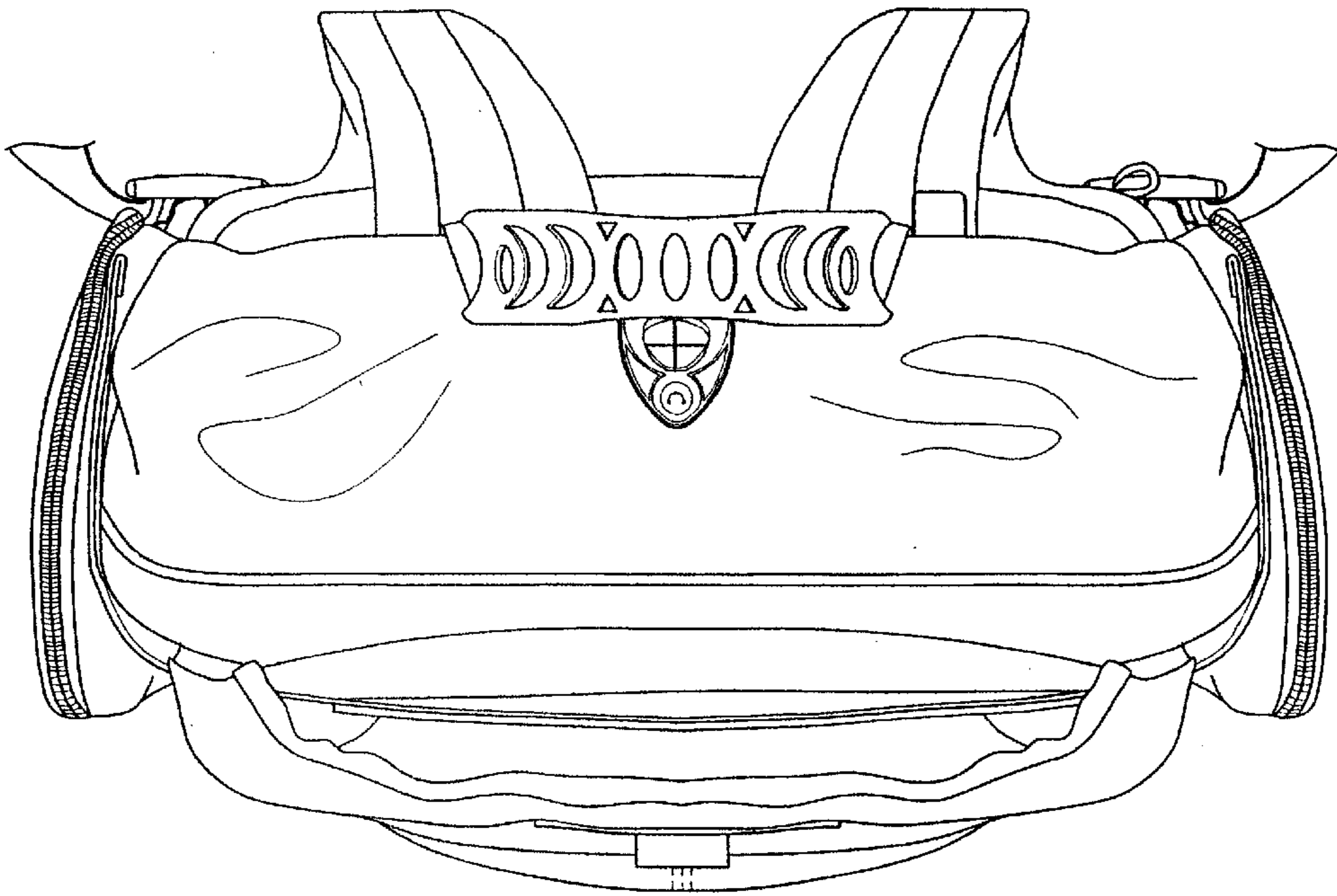


FIG. 3

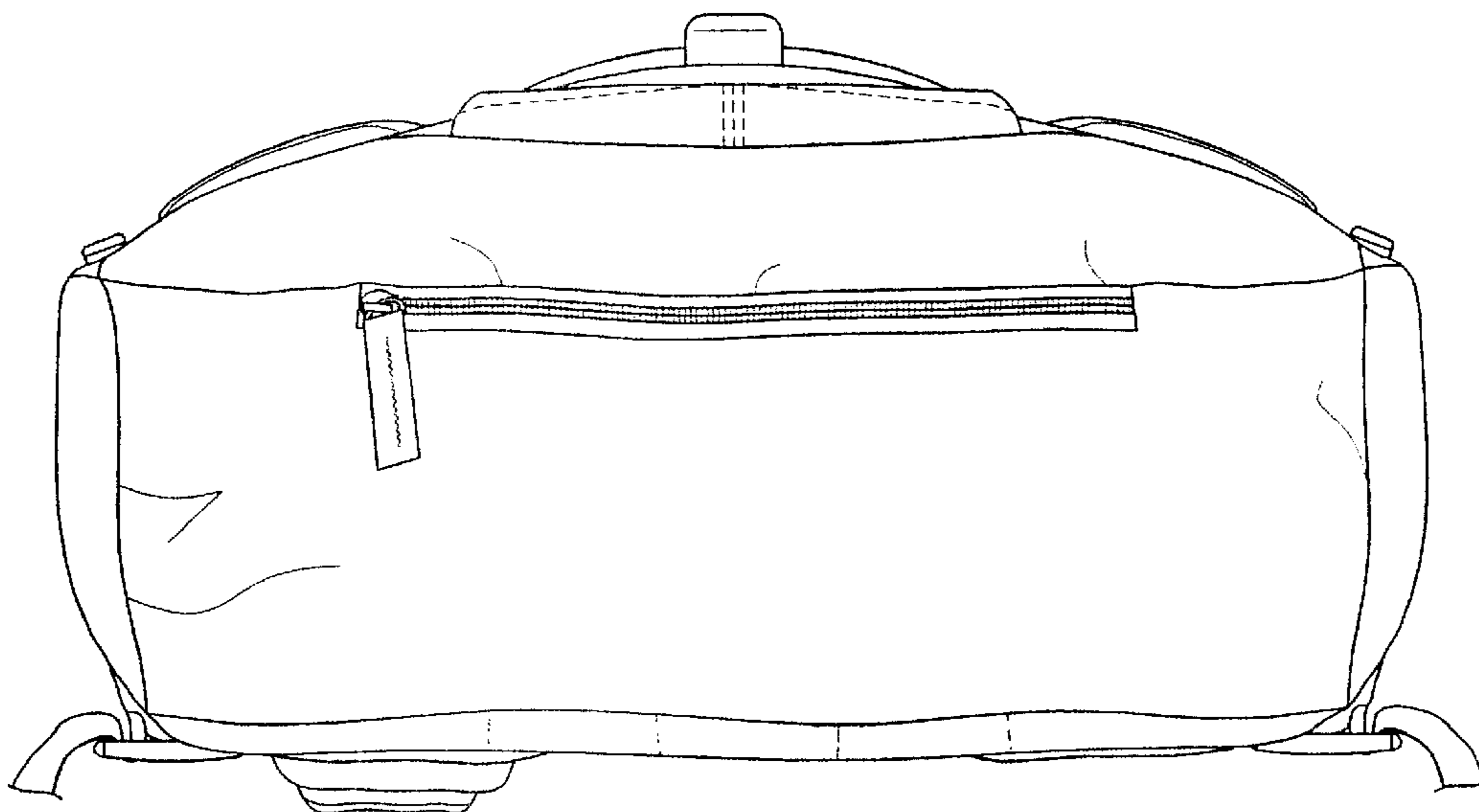


FIG. 5

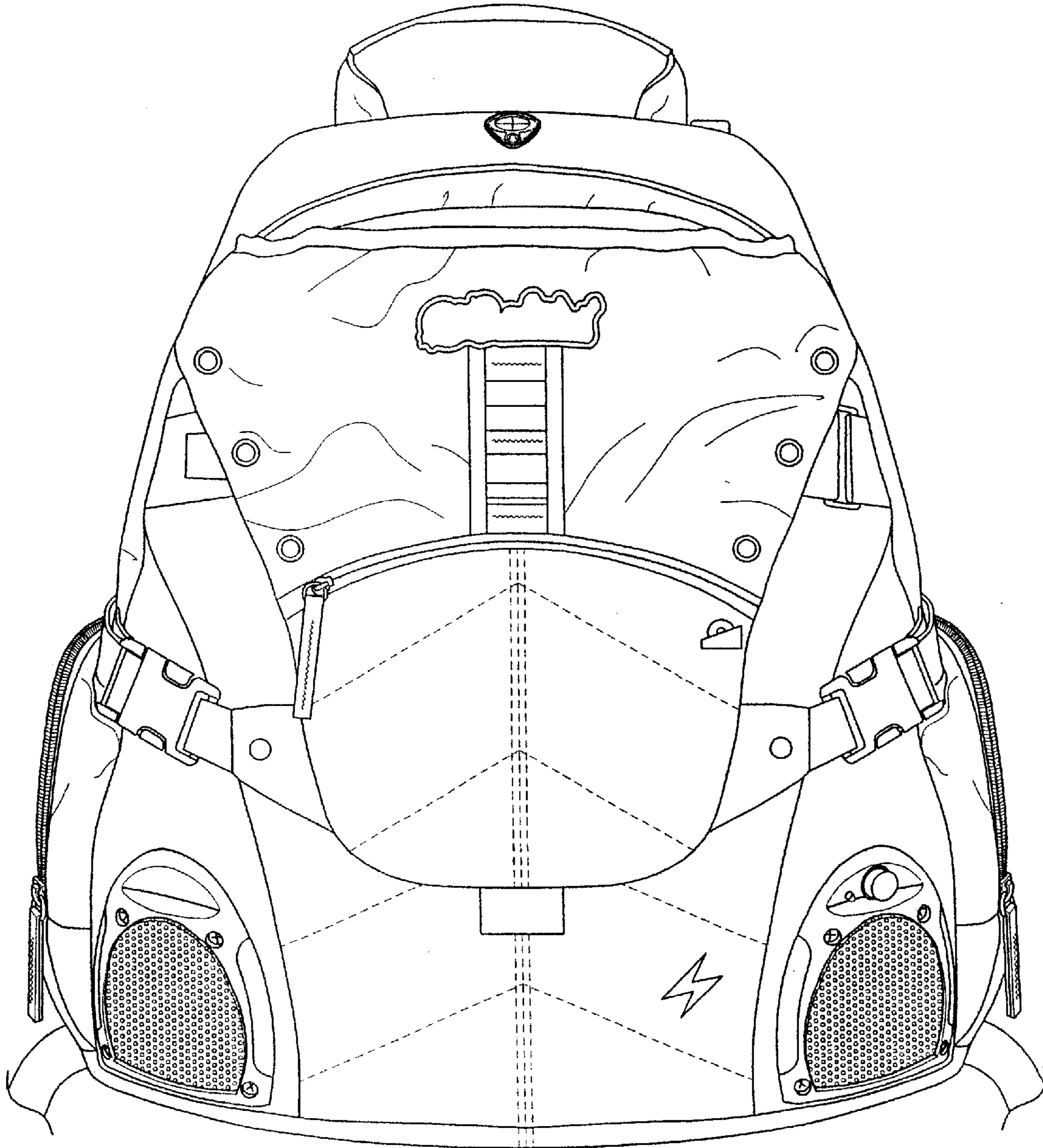


FIG. 4

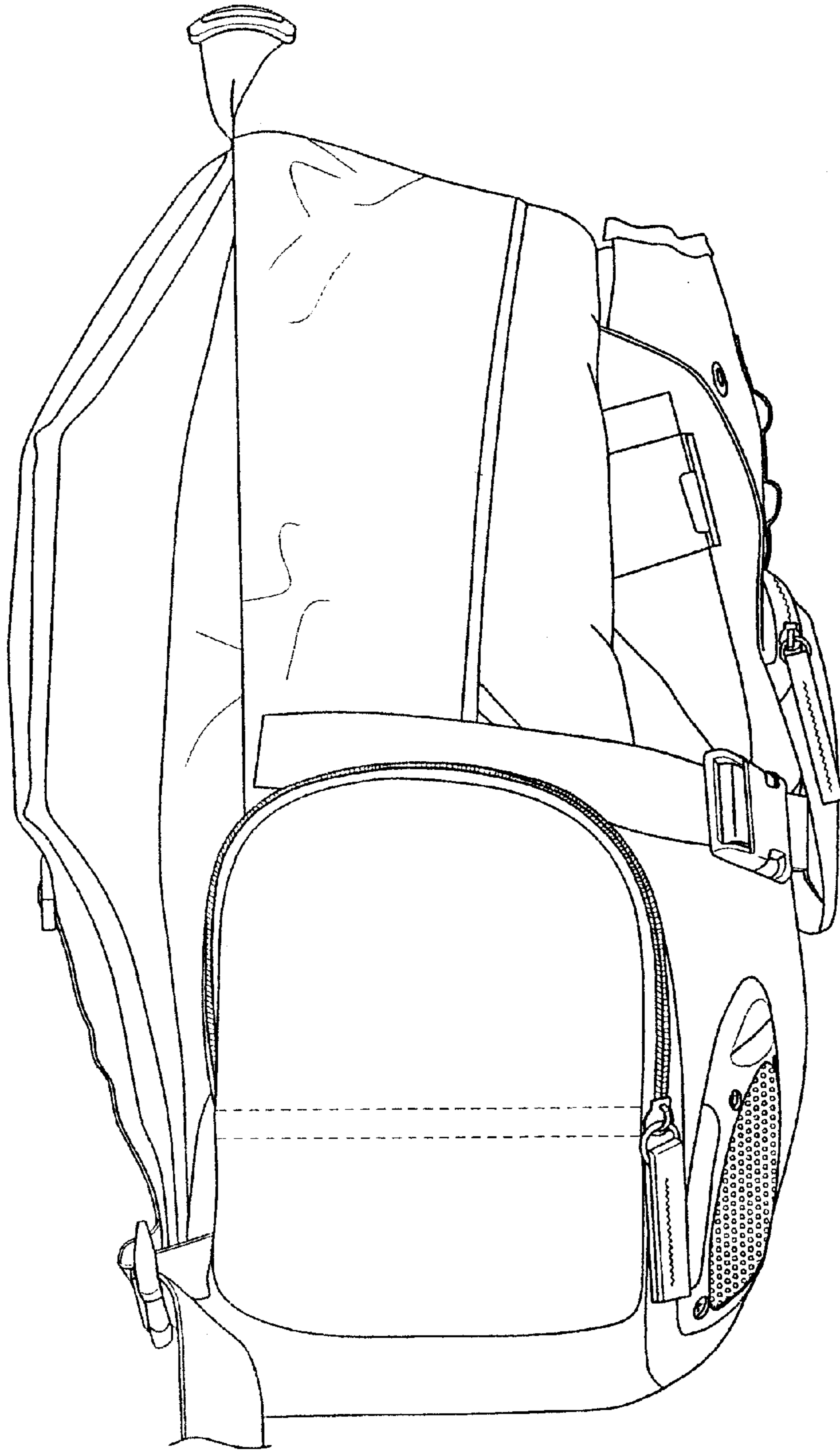


FIG. 6

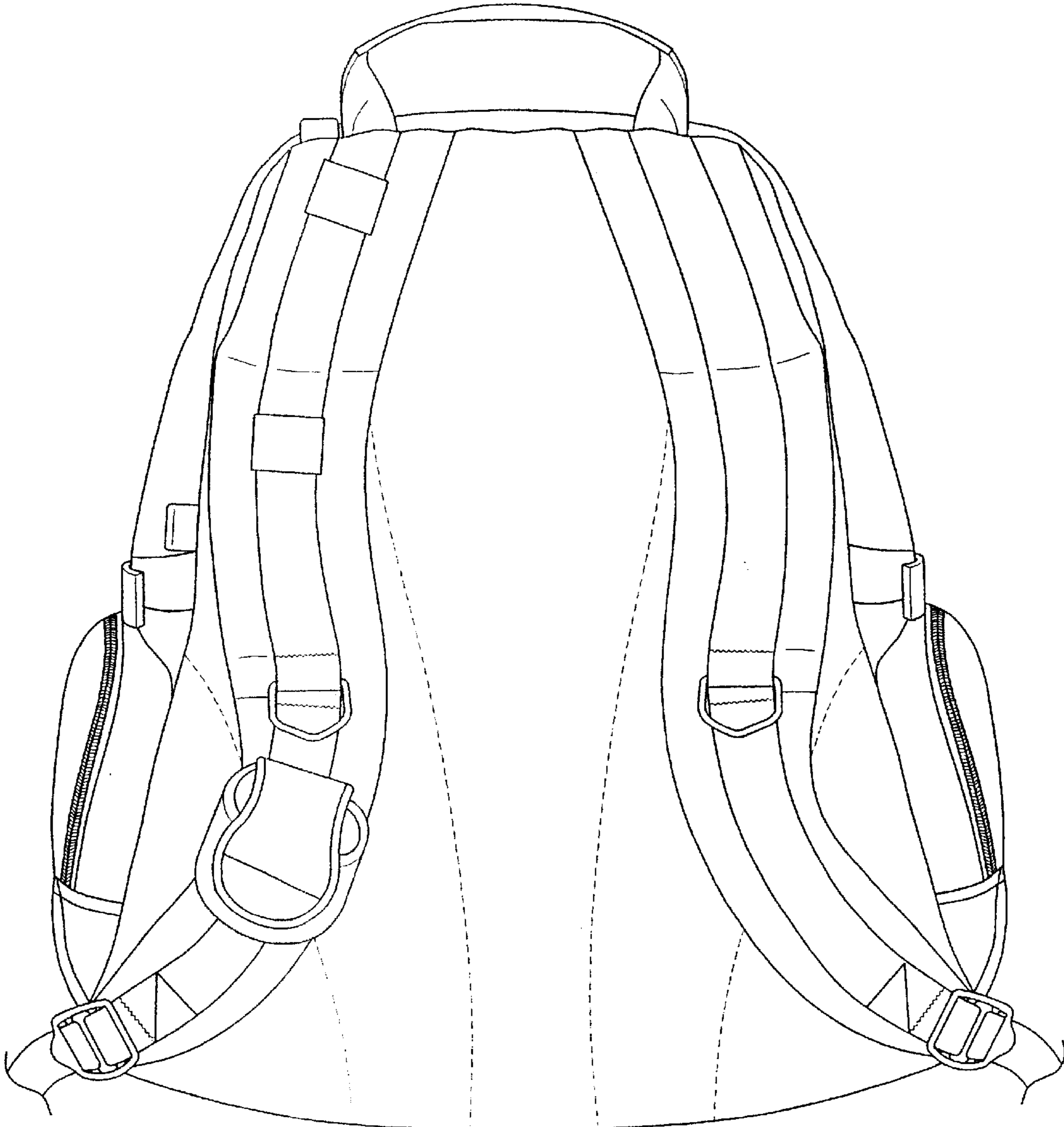


FIG. 7