



US00D517800S

(12) **United States Design Patent**
de Baschmakoff

(10) **Patent No.:** **US D517,800 S**

(45) **Date of Patent:** **** Mar. 28, 2006**

(54) **BACKPACK**

(75) Inventor: **Thierry de Baschmakoff**, Paris (FR)

(73) Assignee: **Asprey Holdings Limited**, London (GB)

(**) Term: **14 Years**

(21) Appl. No.: **29/188,532**

(22) Filed: **Aug. 20, 2003**

(30) **Foreign Application Priority Data**

Feb. 21, 2003 (GB) 3011043

(51) **LOC (8) Cl.** **03-99**

(52) **U.S. Cl.** **D3/217; D3/216**

(58) **Field of Classification Search** D3/216,
D3/217, 242; 224/153, 578, 579, 636

See application file for complete search history.

(56) **References Cited**

U.S. PATENT DOCUMENTS

1,397,161	A	*	11/1921	Clemetson	224/579
1,588,695	A	*	6/1926	Boehm		
4,810,102	A	*	3/1989	Norton		
D333,565	S	*	3/1993	Imbert	D3/217
5,407,112	A	*	4/1995	Christodoulou et al.	224/153
D374,979	S	*	10/1996	Roberson et al.	D3/217
D390,352	S	*	2/1998	Lane	D3/216
D403,853	S	*	1/1999	Lothrop et al.	D3/216
5,957,354	A	*	9/1999	Mentken		

6,189,750	B1	*	2/2001	Von Neumann	224/153
D441,528	S	*	5/2001	Guyon	D3/242
D456,601	S	*	5/2002	Kegels	D3/217
D487,189	S	*	3/2004	Ukitsu et al.	D3/217
D497,716	S	*	11/2004	de Baschmakoff	D3/241
D498,587	S	*	11/2004	de Baschmakoff	D3/243
D498,588	S	*	11/2004	de Baschmakoff	D3/243

* cited by examiner

Primary Examiner—Celia A. Murphy

(74) *Attorney, Agent, or Firm*—Dechert LLP

(57) **CLAIM**

The ornamental design for a backpack, as shown and described.

DESCRIPTION

FIG. 1 is a front elevational view of a backpack showing my new design; the broken lines on the surface of the pack throughout the views being understood to represent stitching. And the broken lines showing a handle in FIGS. 1–6 illustrate the portion of the design that forms no part of the claim.

FIG. 2 is a rear elevational view thereof;

FIG. 3 is a left side elevational view thereof;

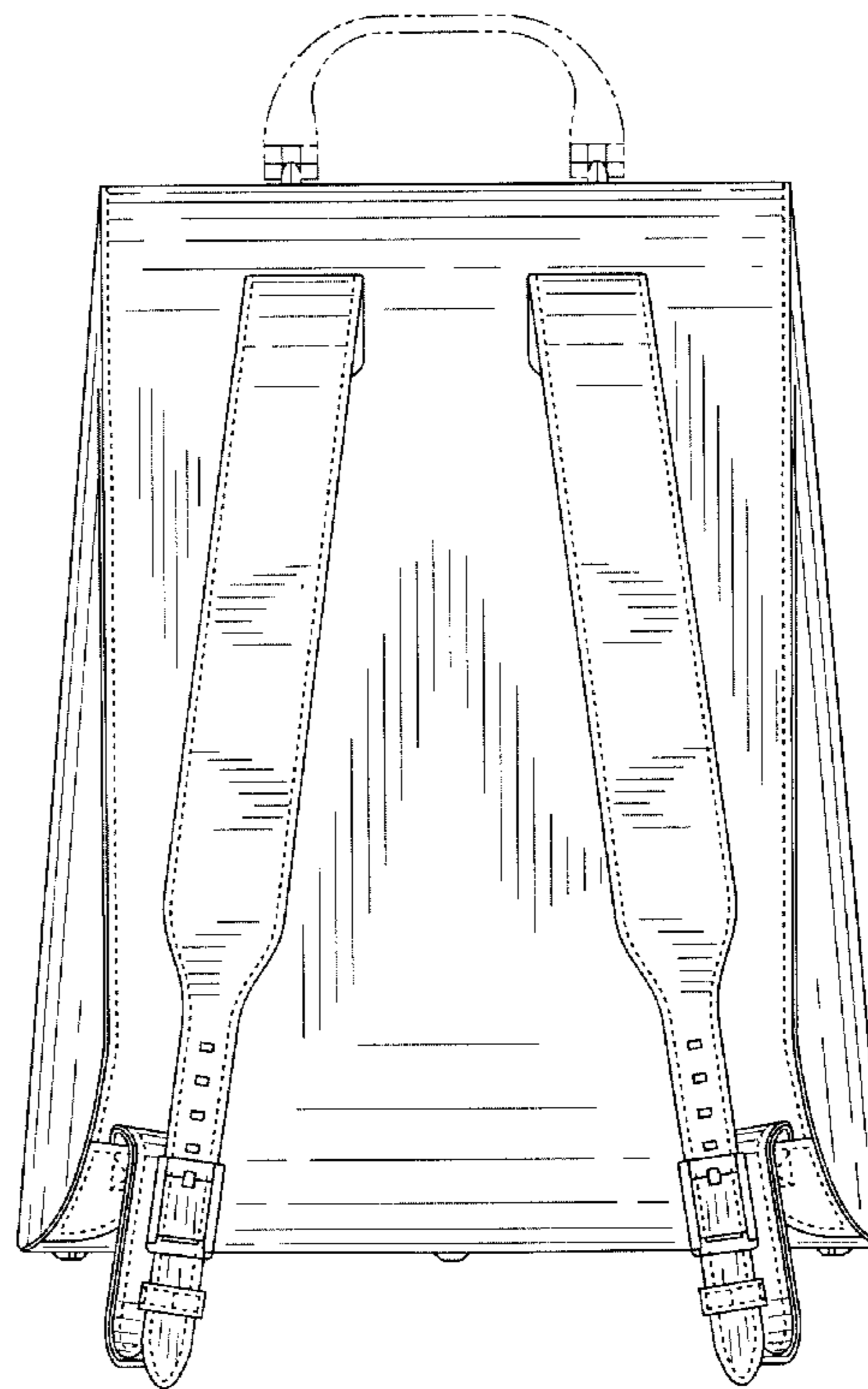
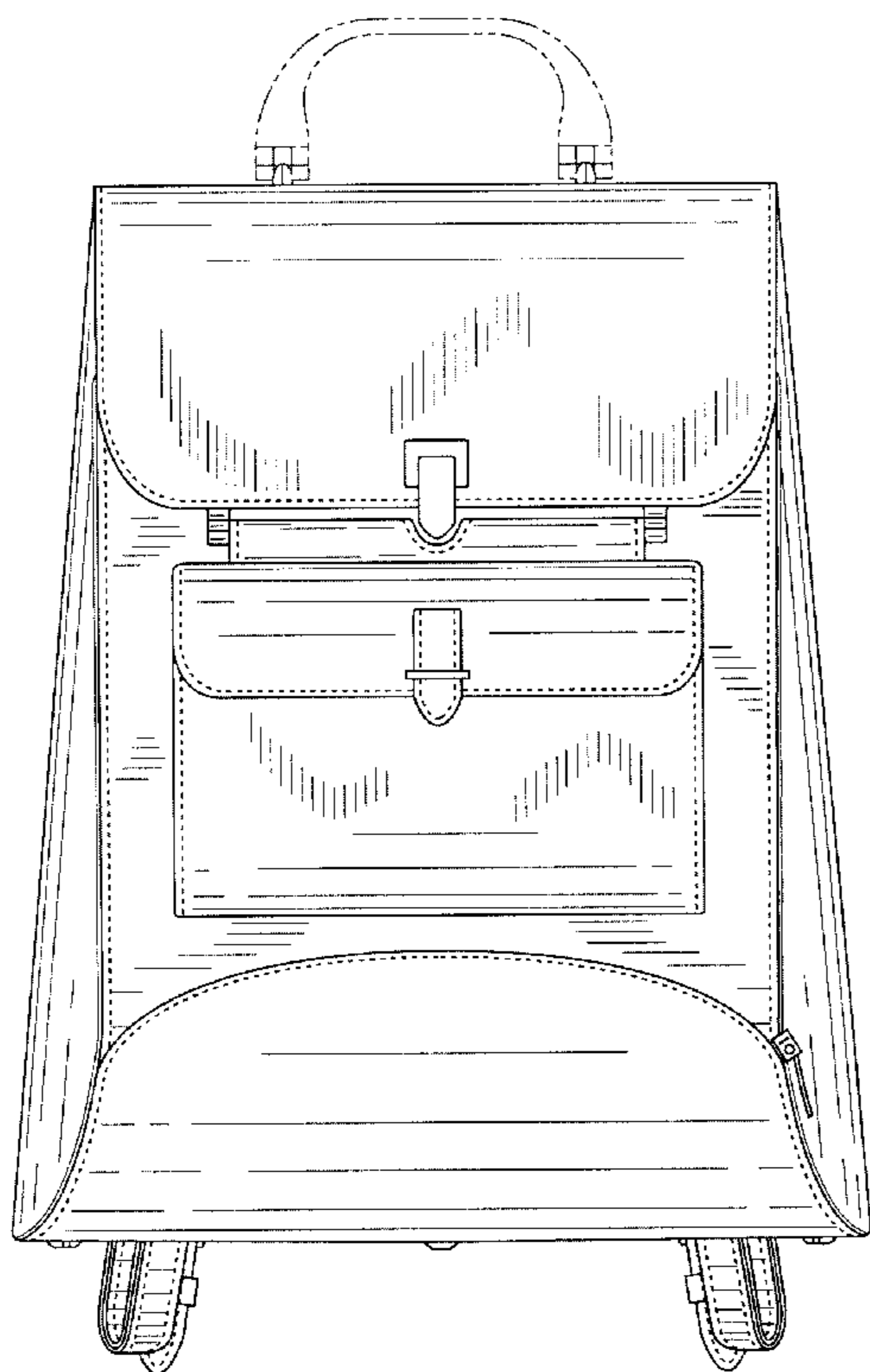
FIG. 4 is a right side elevational view thereof;

FIG. 5 is a left side elevational view thereof, with the latch open;

FIG. 6 is a top plan view thereof; and,

FIG. 7 is a bottom plan view thereof.

1 Claim, 6 Drawing Sheets



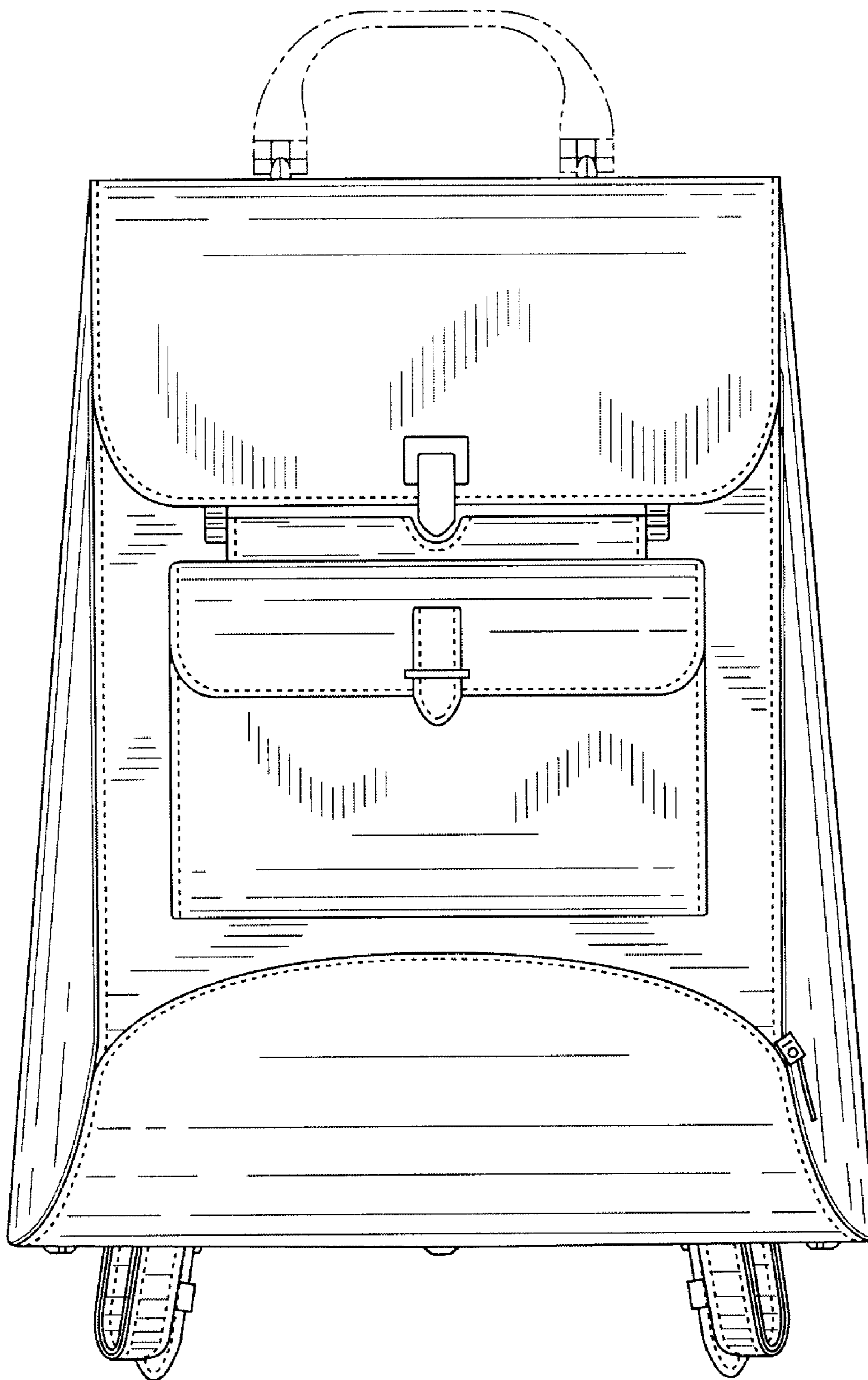


FIG. 1

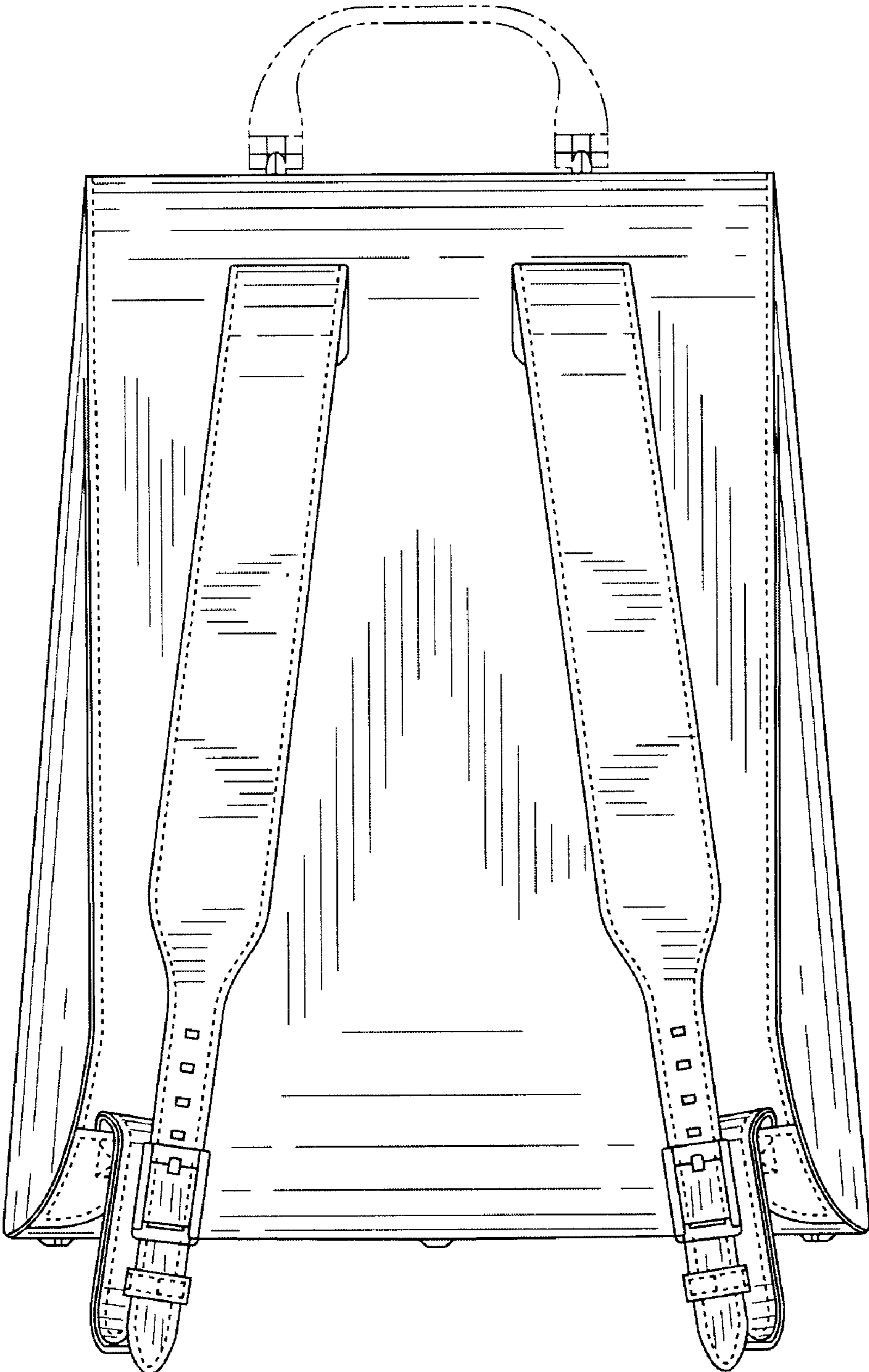


FIG. 2

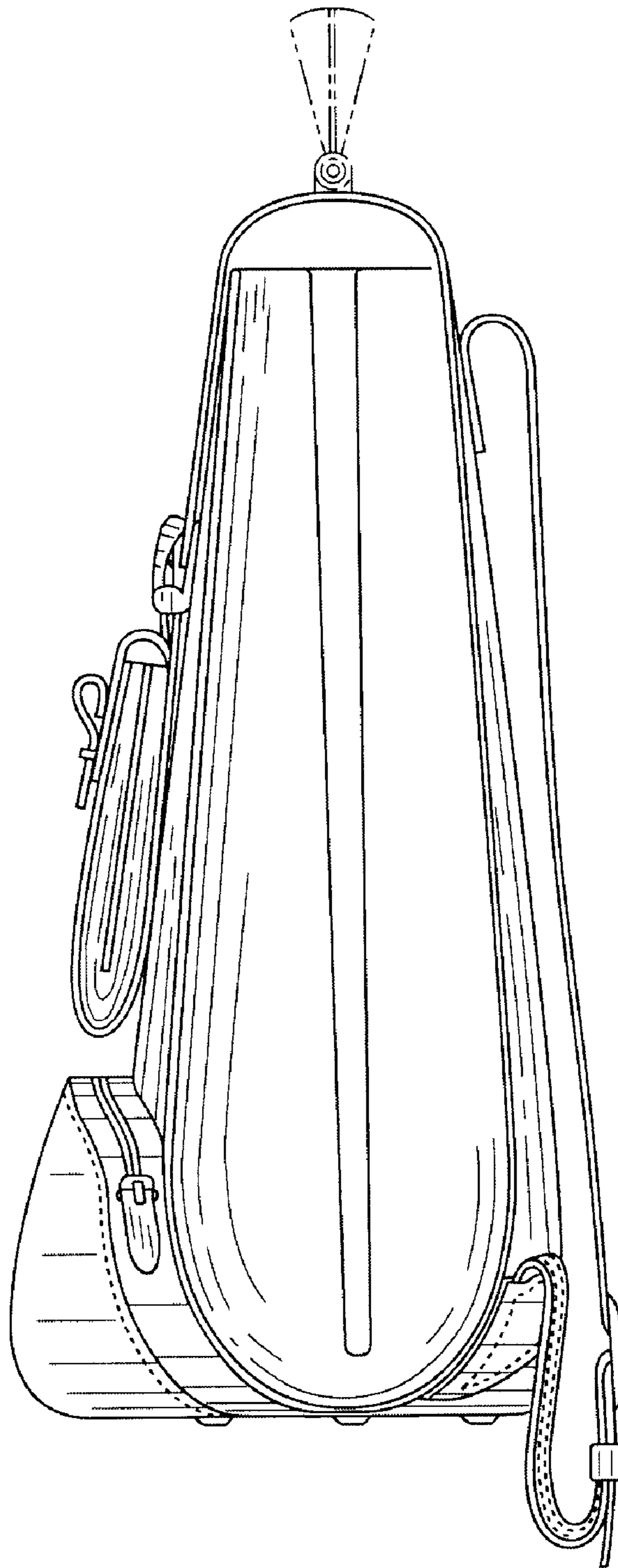


FIG. 3

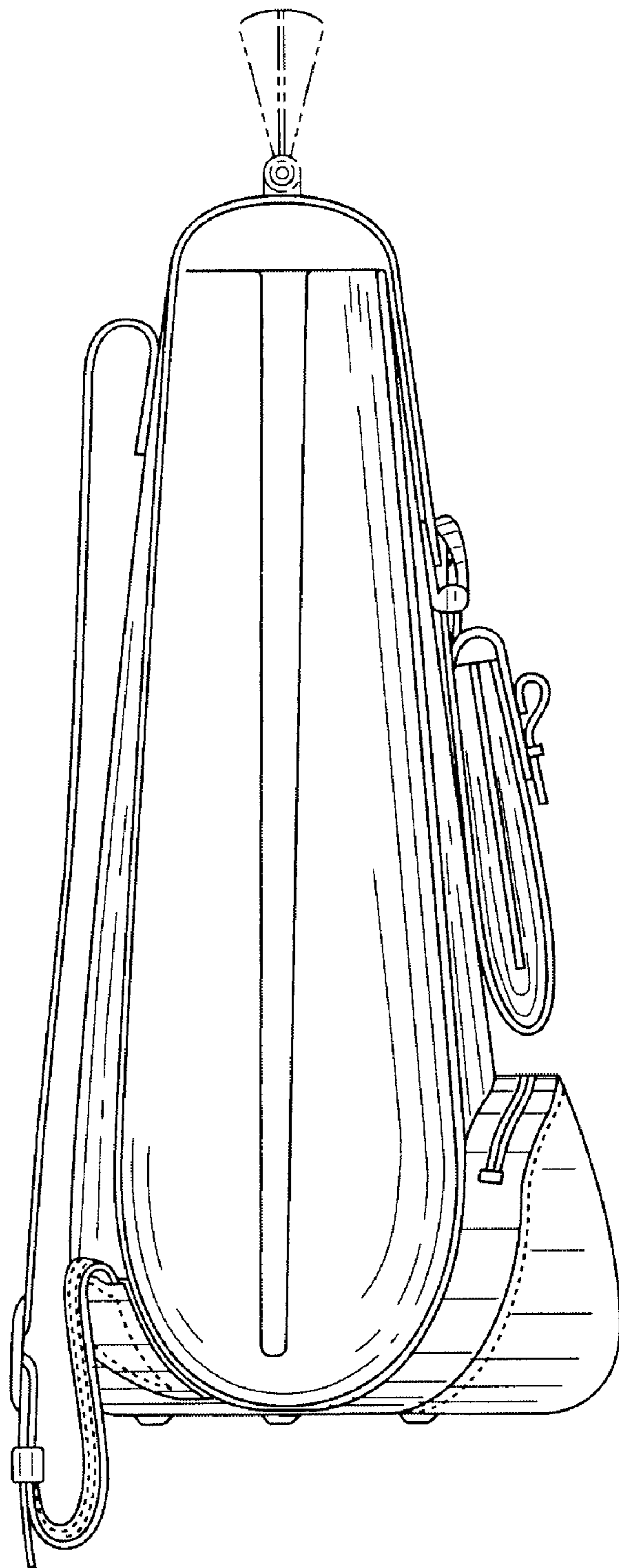


FIG. 4

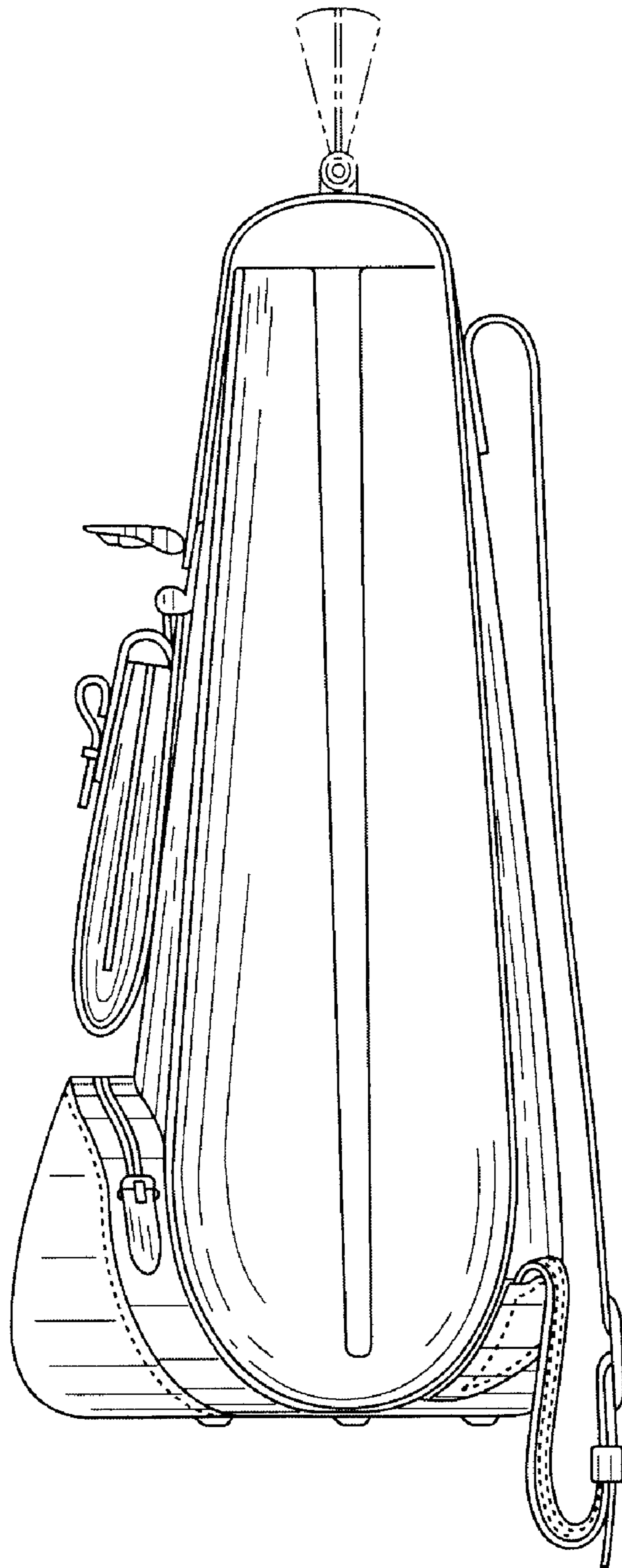


FIG. 5

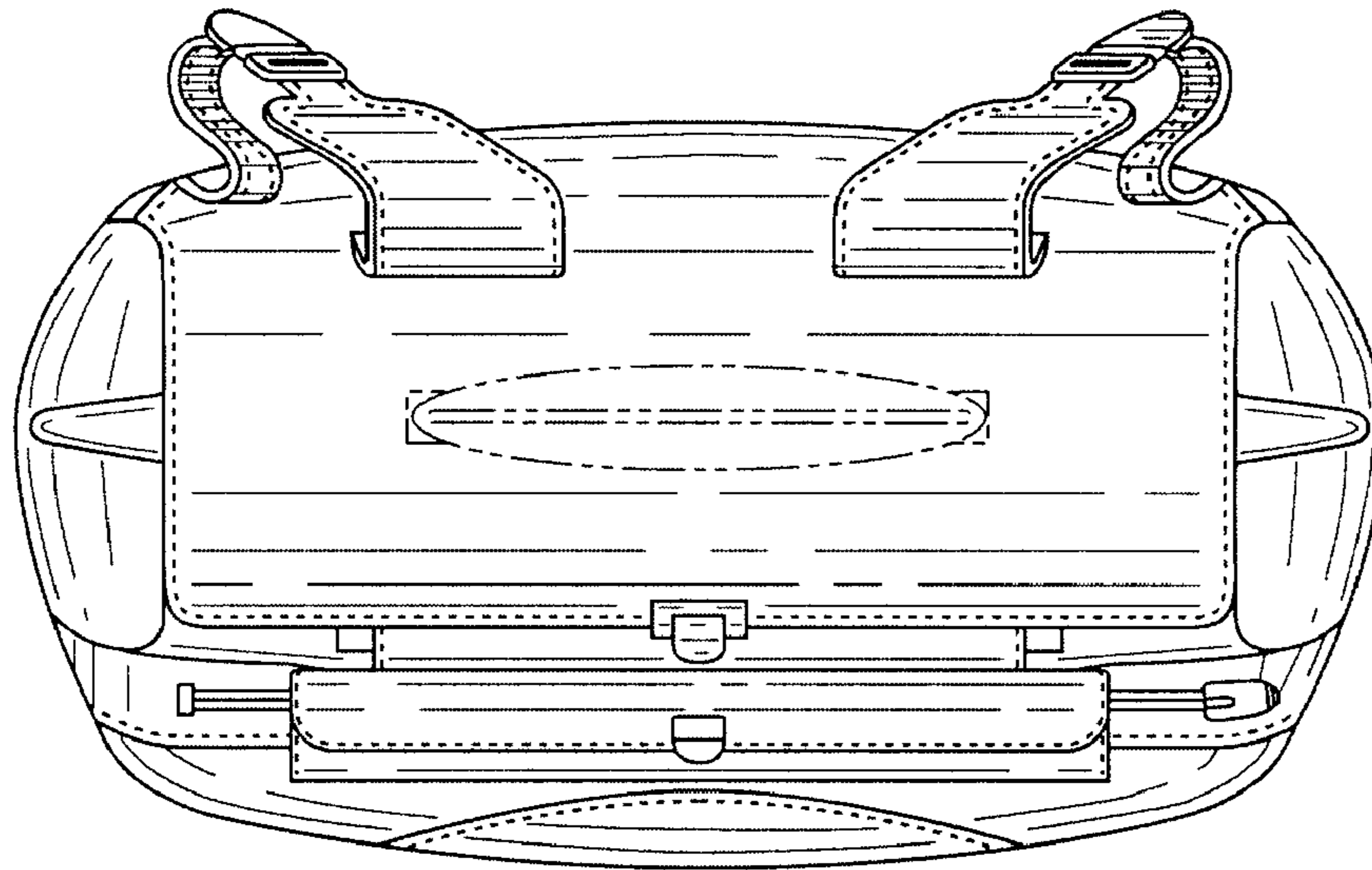


FIG. 6

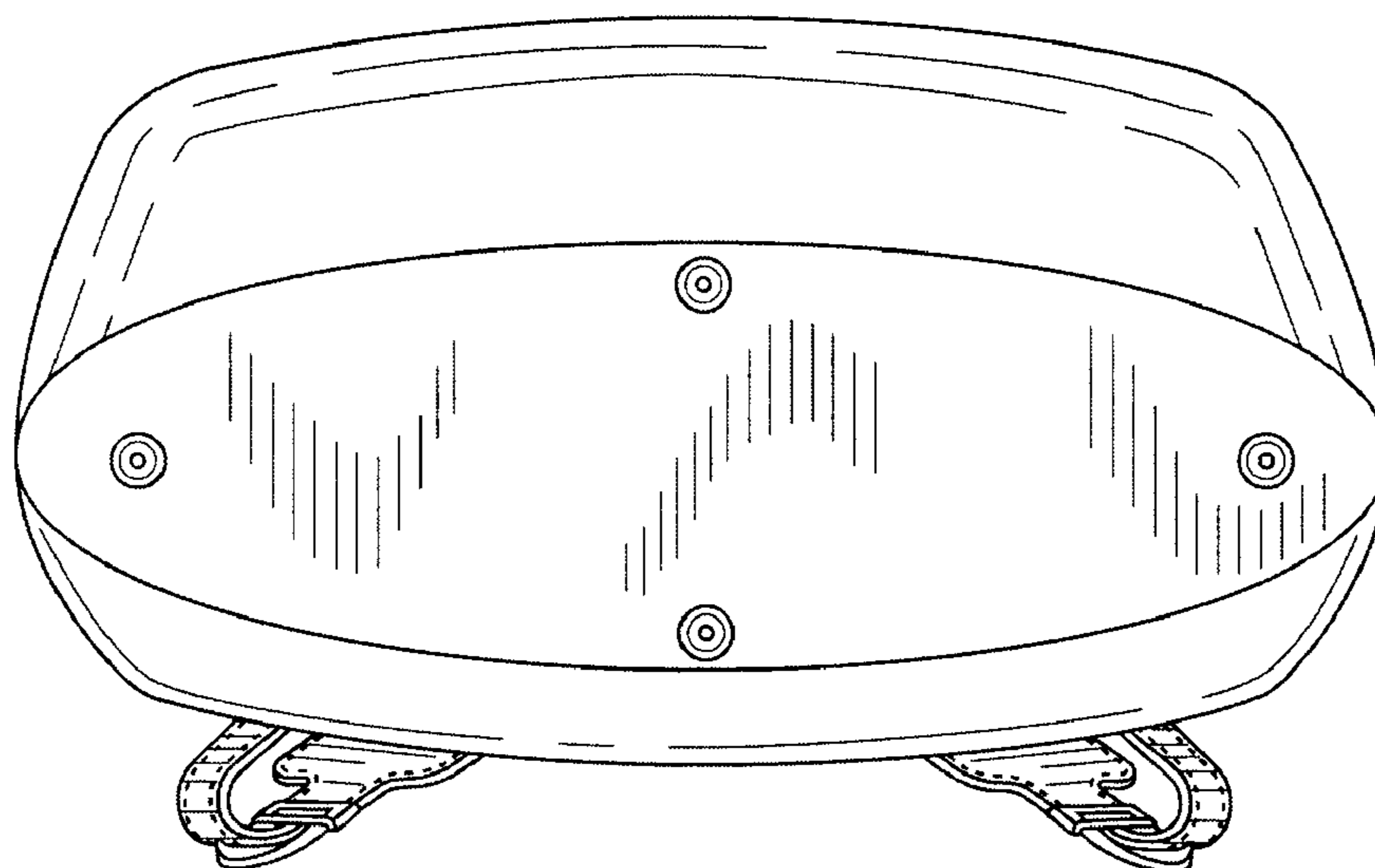


FIG. 7