



US00D517799S

(12) **United States Design Patent**
Oas

(10) **Patent No.:** **US D517,799 S**
(45) **Date of Patent:** **** Mar. 28, 2006**

(54) **PILL BOX WITH INSERT**

(75) Inventor: **Daniel Oas**, Irwindale, CA (US)

(73) Assignee: **Calibre International, LLC**, Irwindale, CA (US)

(**) Term: **14 Years**

(21) Appl. No.: **29/223,220**

(22) Filed: **Feb. 9, 2005**

(51) **LOC (8) Cl.** **03-01**

(52) **U.S. Cl.** **D3/203.2**

(58) **Field of Classification Search** D3/203.2,
D3/203.3, 203.4, 203.5, 203.6, 203.7, 203.8,
D3/201, 205, 207-212; D9/414, 417, 428;
206/530, 534, 528

See application file for complete search history.

(56) **References Cited**

U.S. PATENT DOCUMENTS

- D349,644 S * 8/1994 Miyairi et al. D3/203.2
- D471,801 S * 3/2003 Caroen D3/203.2
- D497,103 S * 10/2004 Malloy et al. D3/203.2

* cited by examiner

Primary Examiner—Catherine R. Oliver

(74) *Attorney, Agent, or Firm*—The Soni Law Firm

(57) **CLAIM**

The ornamental design for a pill box with insert, as shown and described.

DESCRIPTION

FIG. 1 is a top front perspective view of a pill box with insert;

FIG. 2 is a front view of the pill box with insert of FIG. 1; FIG. 3 is a right side elevation view of the pill box with insert of FIG. 1;

FIG. 4 is a left side elevation view of the pill box with insert of FIG. 1;

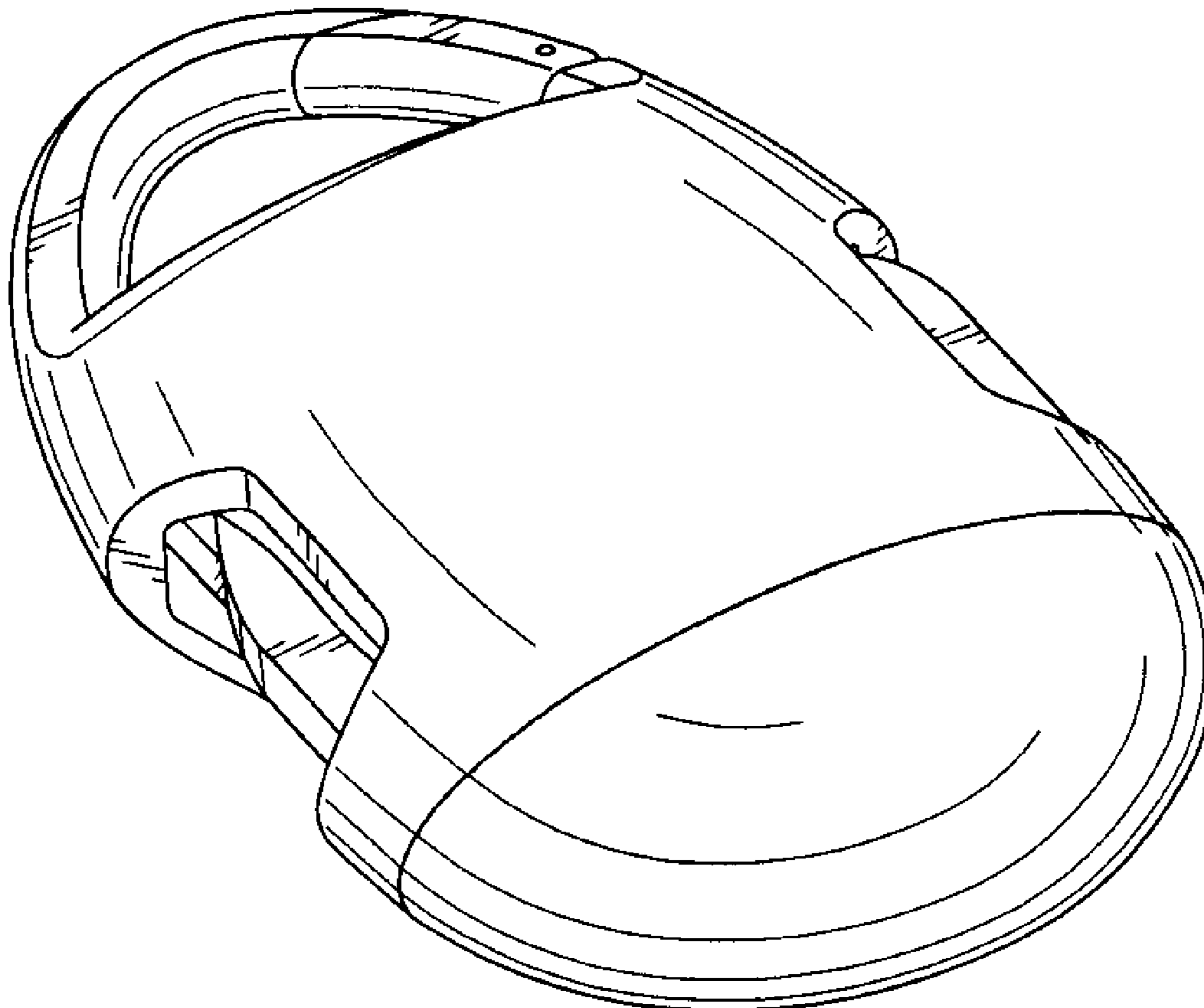
FIG. 5 is a rear view of the pill box with insert of FIG. 1;

FIG. 6 is a bottom plan view of the pill box with insert of FIG. 1;

FIG. 7 is a top plan view of the pill box with insert of FIG. 1; and,

FIG. 8 is a top front perspective view of an alternate position of the pill box with insert of FIG. 1.

1 Claim, 3 Drawing Sheets



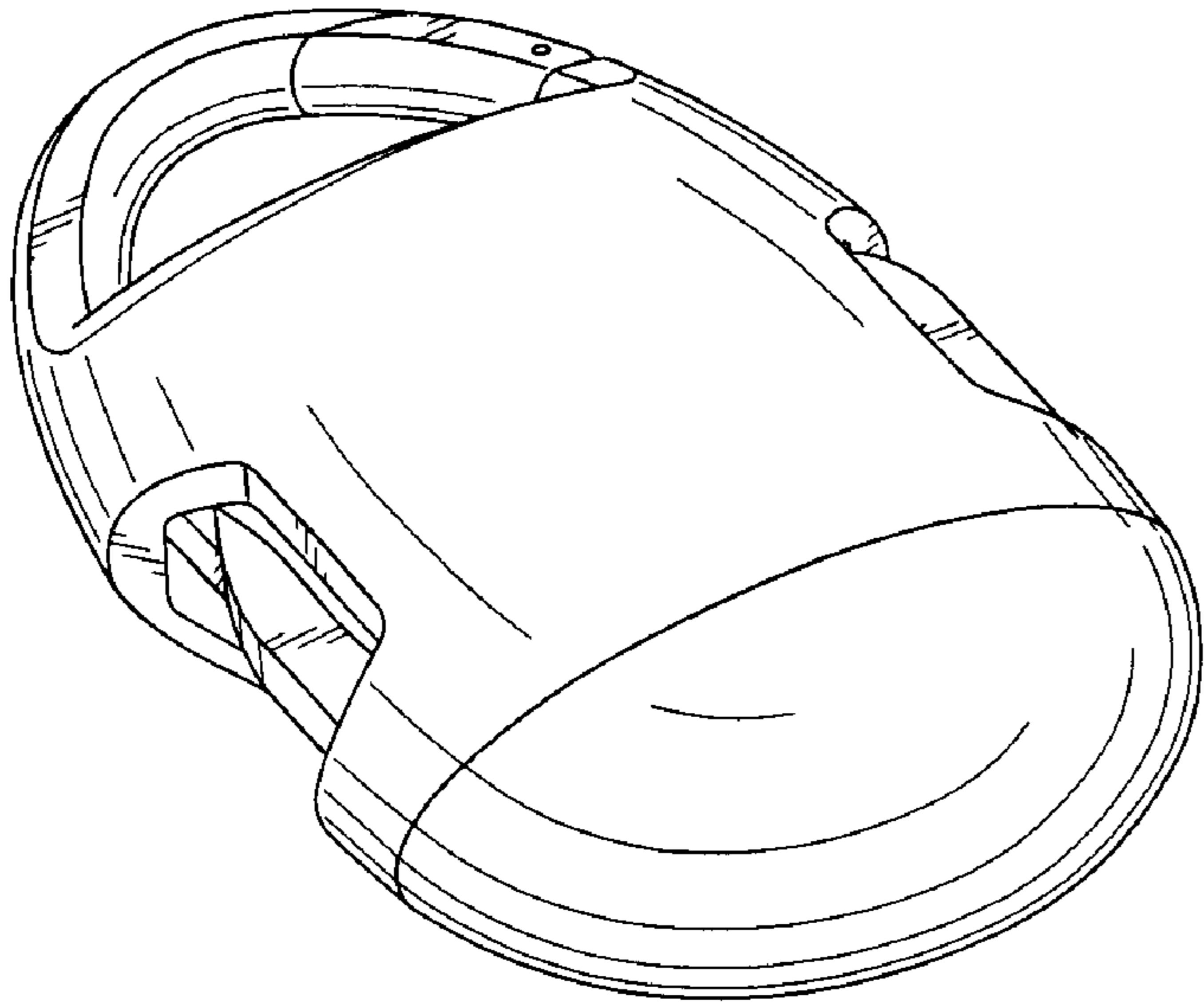


FIG. 1

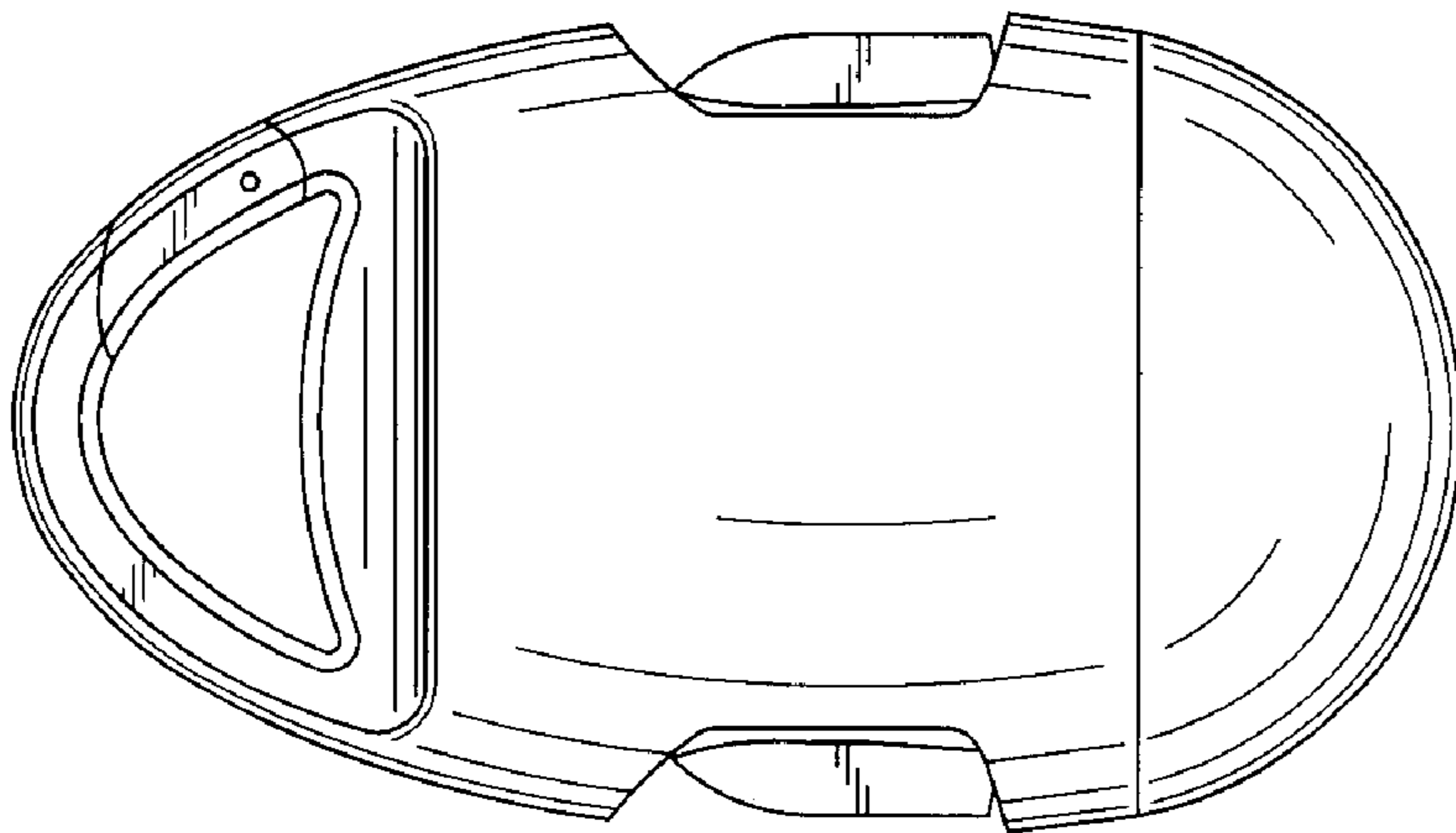


FIG. 2

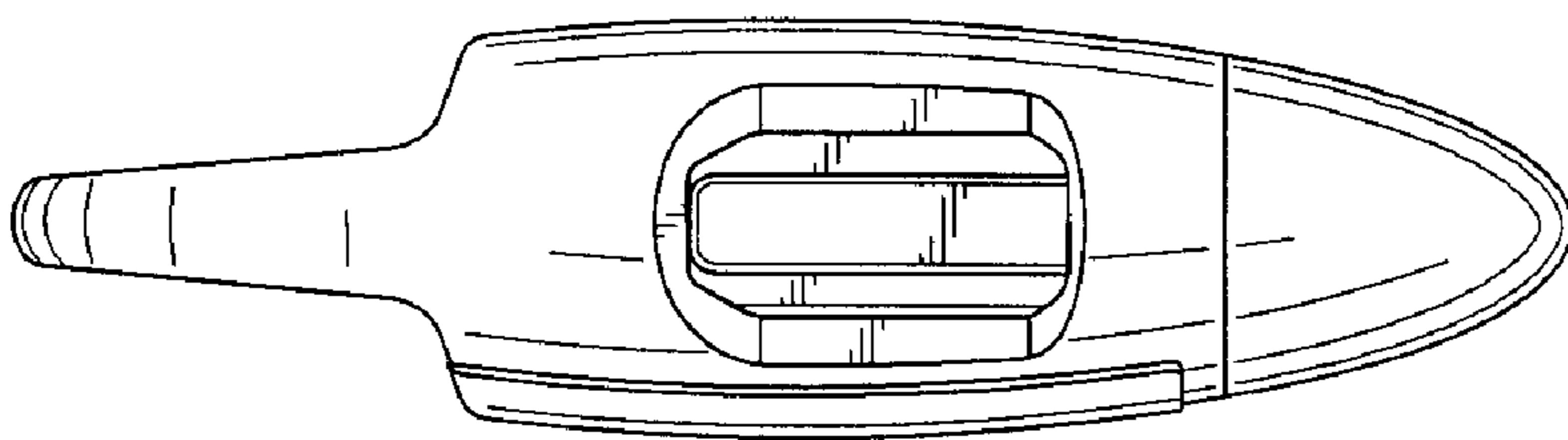


FIG. 3

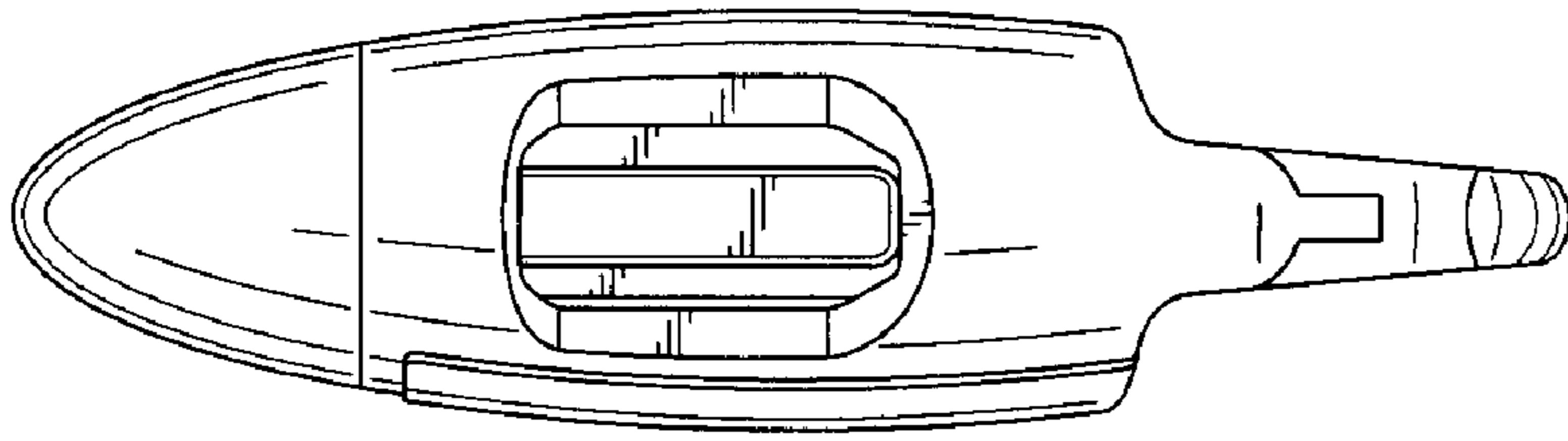


FIG. 4

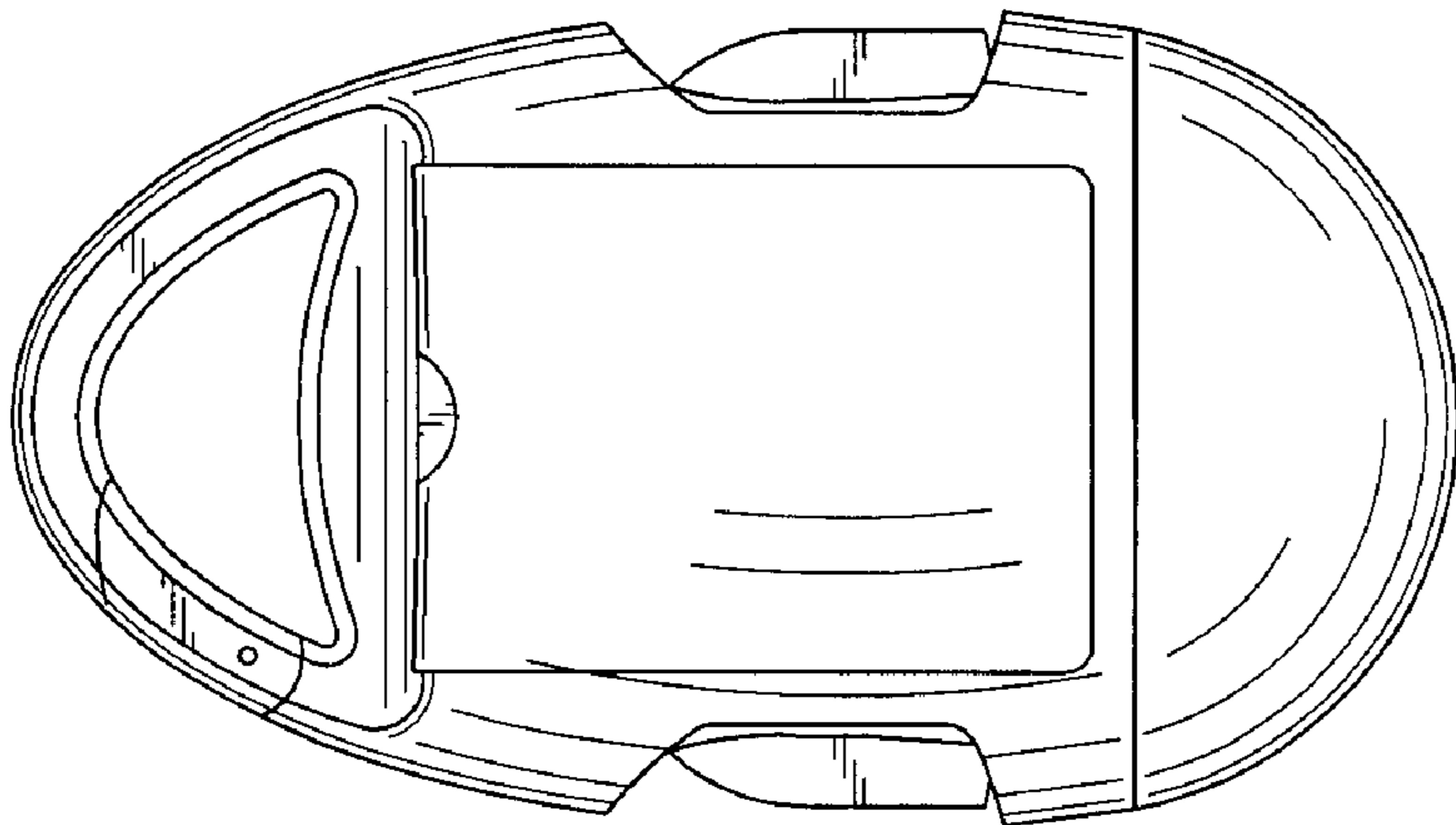


FIG. 5

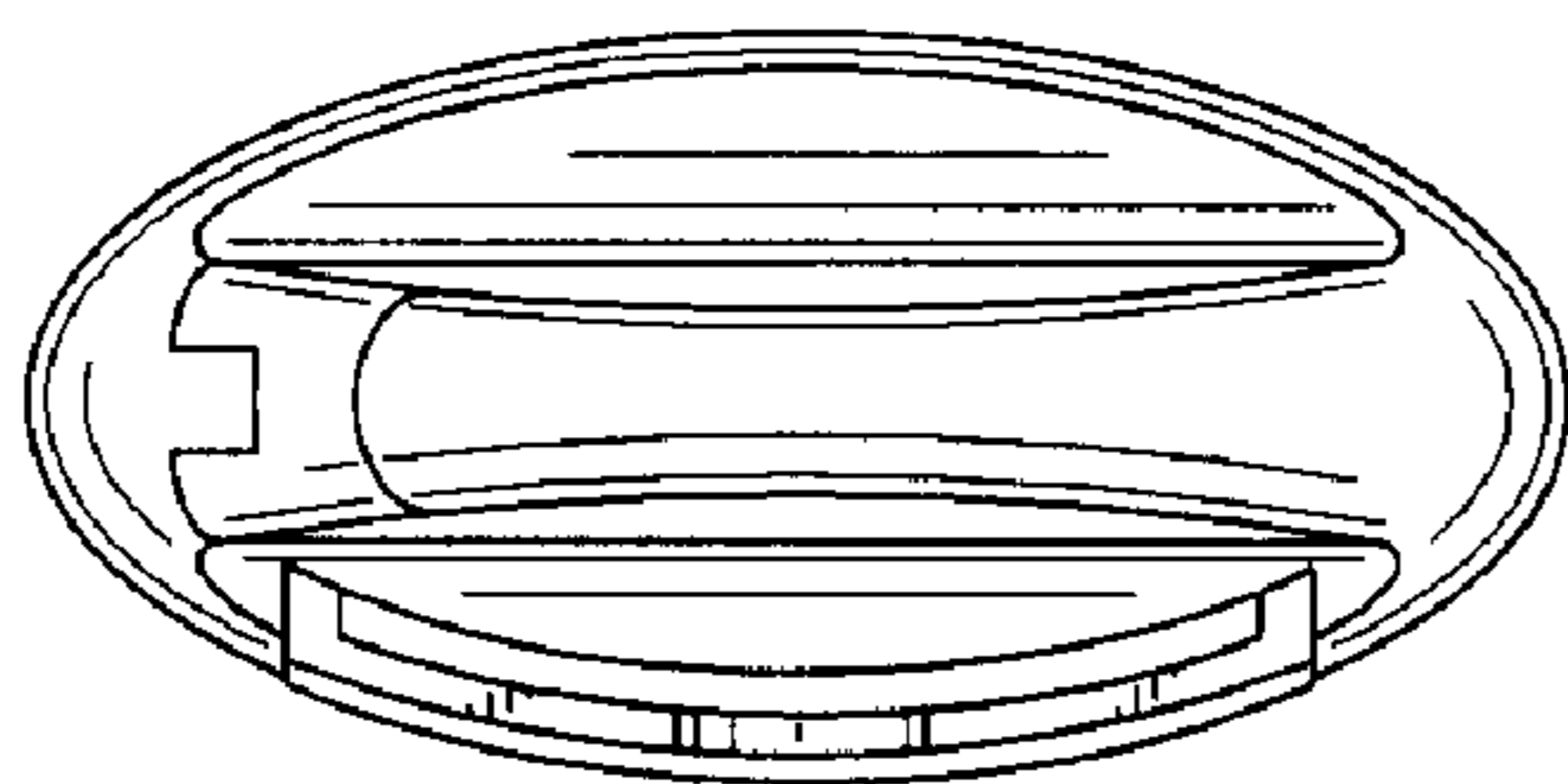


FIG. 6

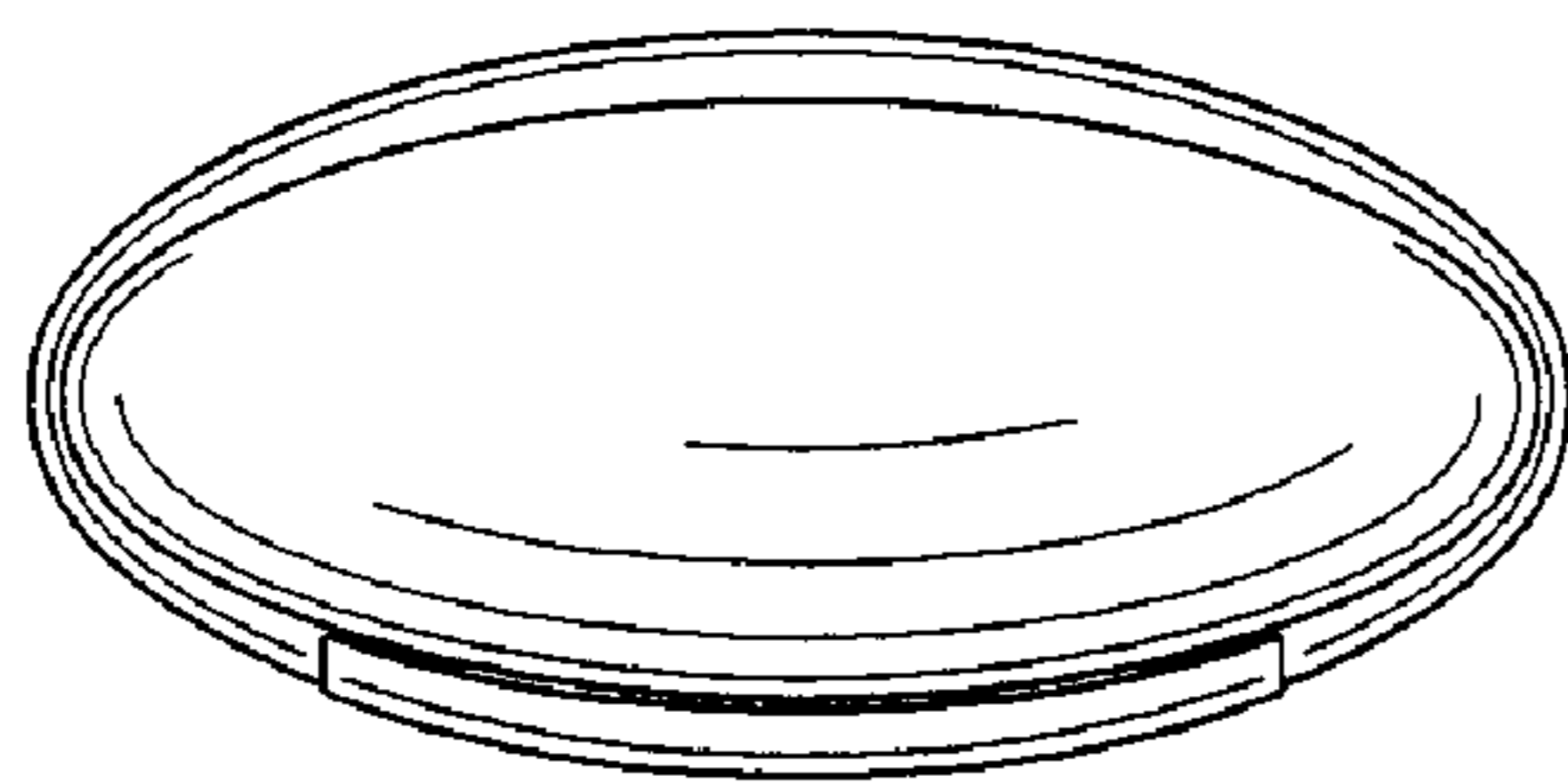


FIG. 7

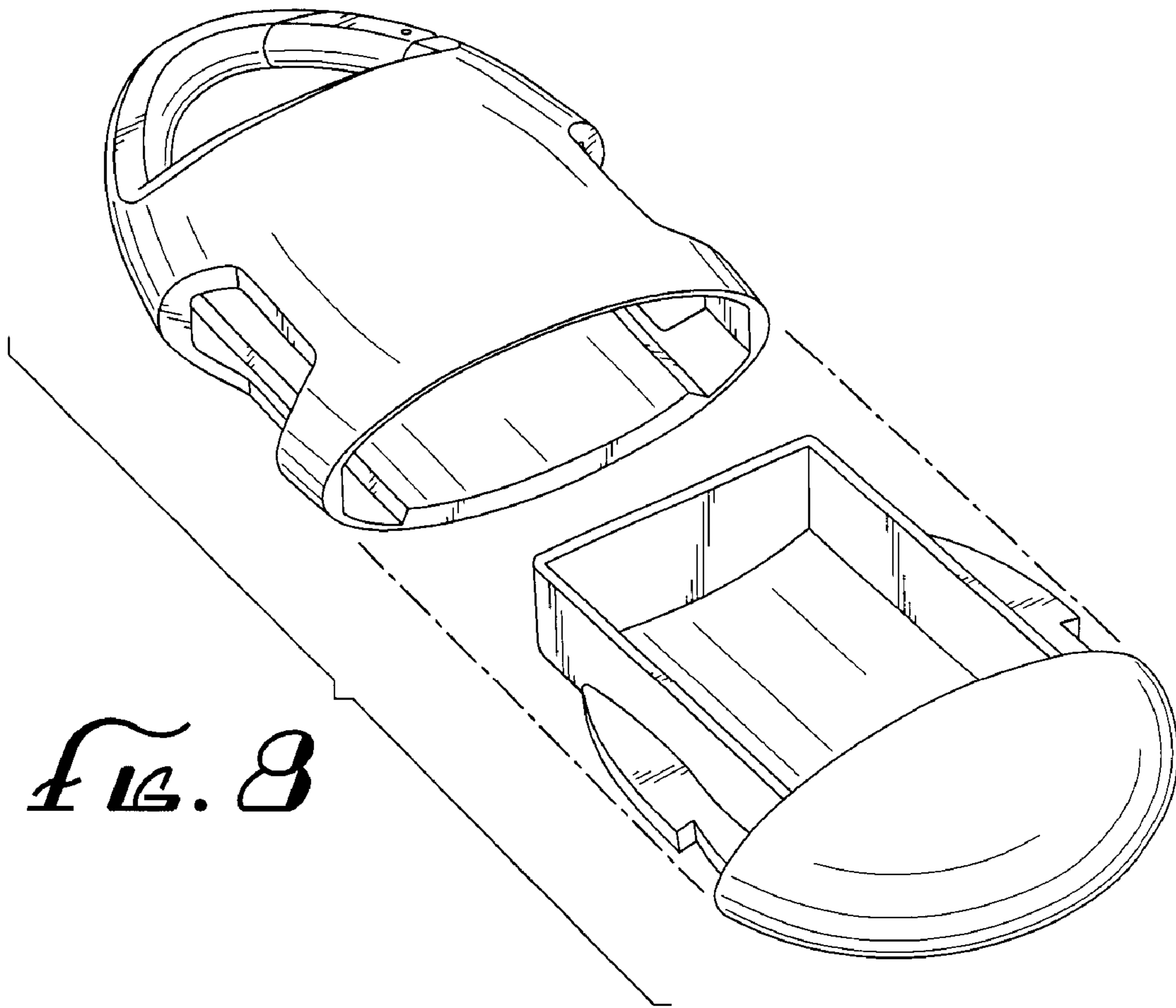


FIG. 8