

US00D517796S

(12) **United States Design Patent**
Storm

(10) **Patent No.:** **US D517,796 S**
(45) **Date of Patent:** **** Mar. 28, 2006**

- (54) **QUILTING ACCESSORY**
- (76) Inventor: **Henriëtte C. Storm**, Plataanstraat 6,
2691 TZ's -- Gravenzonde (NL)
- (**) Term: **14 Years**
- (21) Appl. No.: **29/204,503**
- (22) Filed: **Apr. 28, 2004**
- (51) **LOC (8) Cl.** **02-07**
- (52) **U.S. Cl.** **D3/29**
- (58) **Field of Classification Search** D3/29,
D3/26, 22, 18; 223/101, 102; D11/3, 27
See application file for complete search history.

4,720,026 A *	1/1988	Feuerman	223/102
4,899,916 A	2/1990	Townsend	223/101
4,998,651 A	3/1991	Townsend	223/101
5,803,322 A *	9/1998	Boone et al.	223/101
6,409,059 B1	6/2002	Calvert	223/101
D461,739 S *	8/2002	Jongsoonthornthurakit ..		D11/26
D462,288 S *	9/2002	Jongsoonthornthurakit ..		D11/26
6,640,341 B1	11/2003	Calvert	2/161.6

OTHER PUBLICATIONS

Copy of a package for a Slip-Free Thimble by Clover Needlecraft, Inc., Carson, CA 90746 (undated).

* cited by examiner

Primary Examiner—Sandra S. Snapp
(74) *Attorney, Agent, or Firm*—Renner, Kenner, Greive, Bobak, Taylor & Weber

(56) **References Cited**

U.S. PATENT DOCUMENTS

398,812 A *	3/1889	Albert	223/101
471,221 A *	3/1892	Moore	294/25
2,460,155 A *	1/1949	Talarico	2/21
2,548,521 A *	4/1951	Doyle	81/488
D163,639 S *	6/1951	Rumpel	D3/18
2,568,951 A *	9/1951	Cudly	223/101
D167,911 S *	10/1952	Smith	D3/18
3,191,824 A *	6/1965	Burr	223/101
D208,047 S *	7/1967	Brophy	D3/29
3,531,029 A *	9/1970	Lee	223/101
D230,915 S *	3/1974	Fowler	D3/29
D242,189 S *	11/1976	Fowler	D3/29
D248,598 S *	7/1978	Bahmer	D3/29
4,102,480 A *	7/1978	O'Beirne-Ranelagh	223/101
D270,966 S	10/1983	Lynn	D3/29
4,534,495 A	8/1985	Adkins	223/101

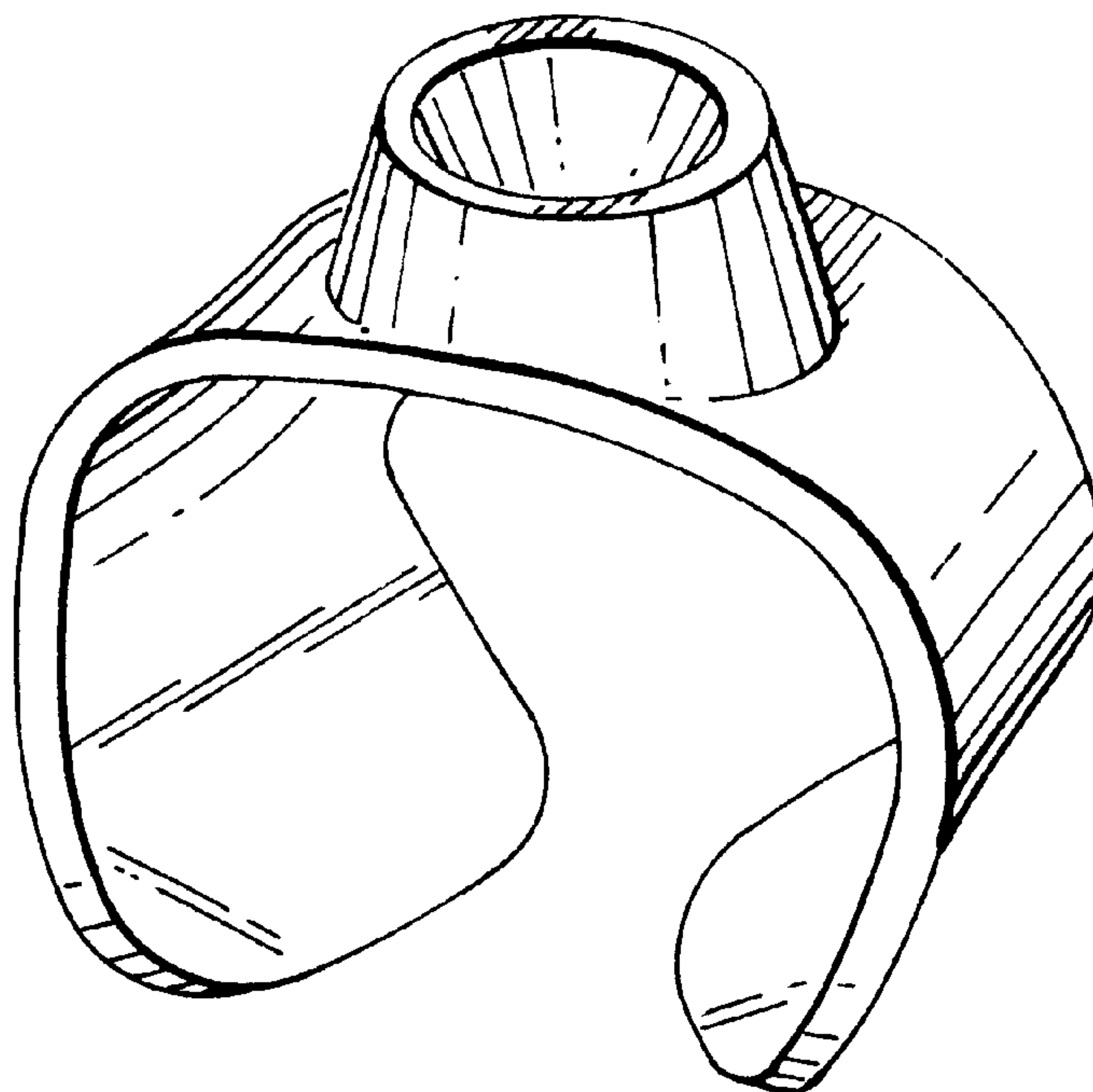
(57) **CLAIM**

The ornamental design for a quilting accessory, as shown and described.

DESCRIPTION

FIG. 1 is a perspective view of a quilting accessory showing my new design;
FIG. 2 is a top plan view thereof;
FIG. 3 is a bottom plan view thereof;
FIG. 4 is a right side elevational view thereof, the left side being a mirror image of FIG. 4;
FIG. 5 is a front elevational view thereof; and,
FIG. 6 is a rear elevational view thereof.

1 Claim, 2 Drawing Sheets



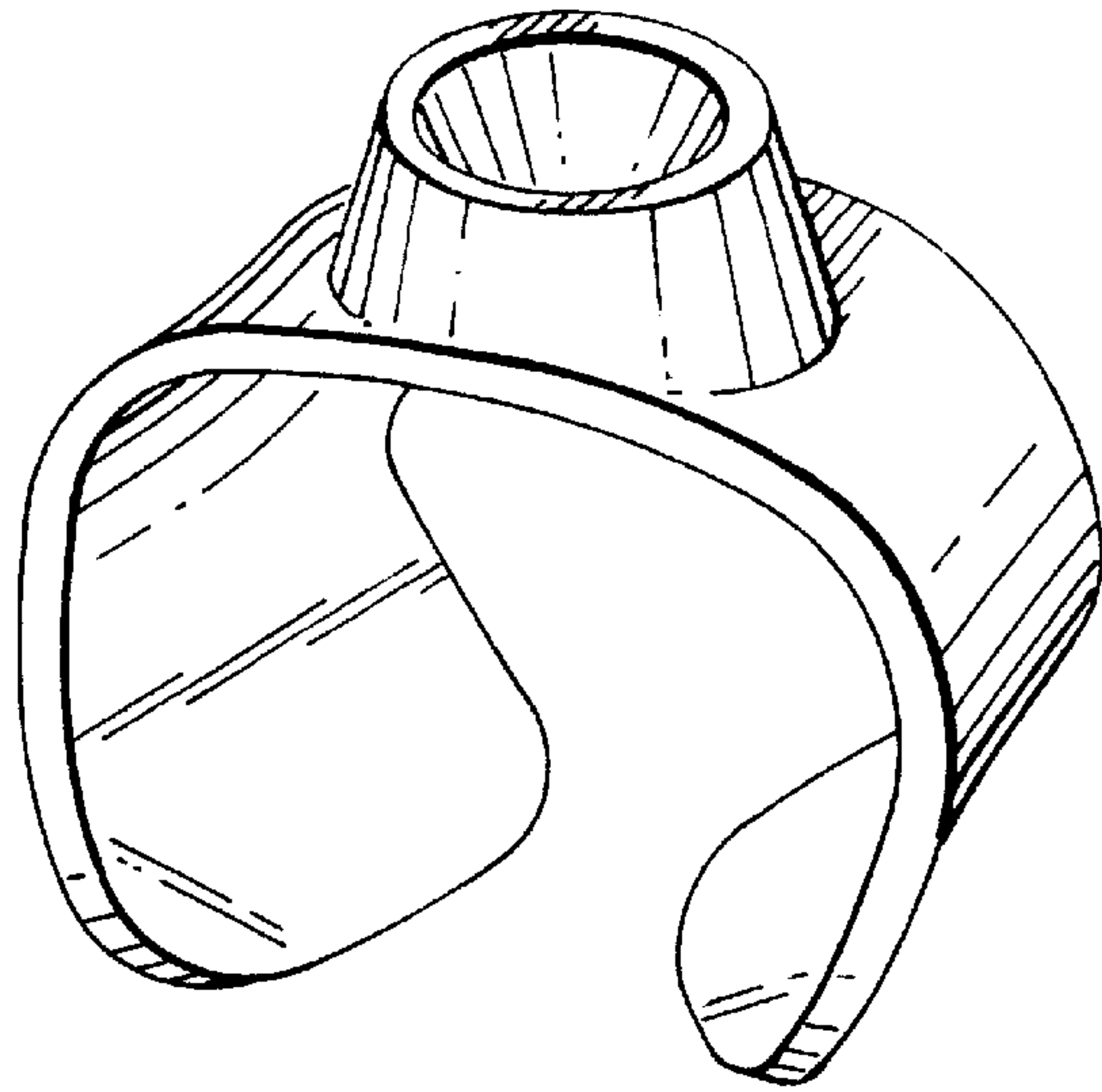


FIG. 1

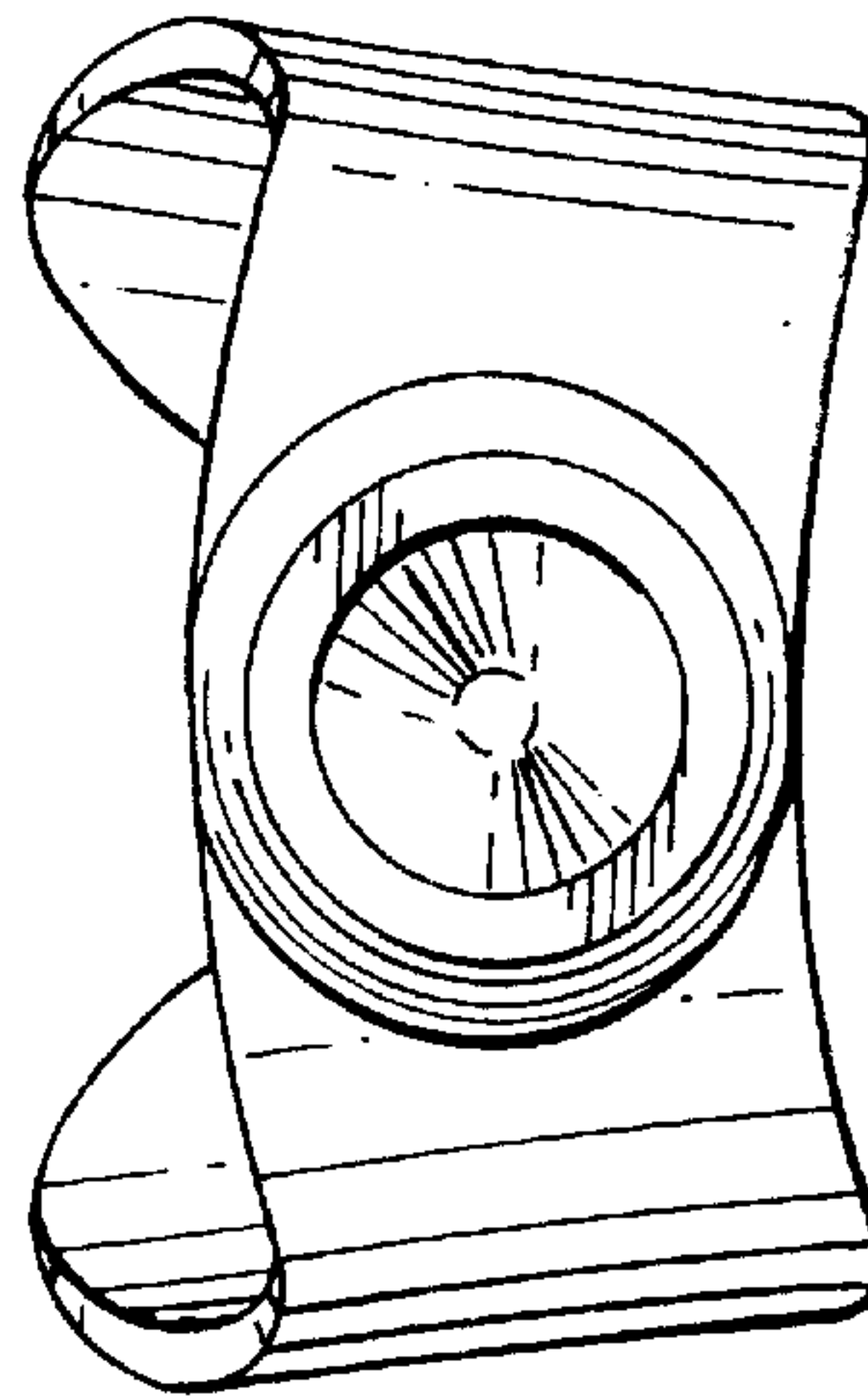


FIG. 2

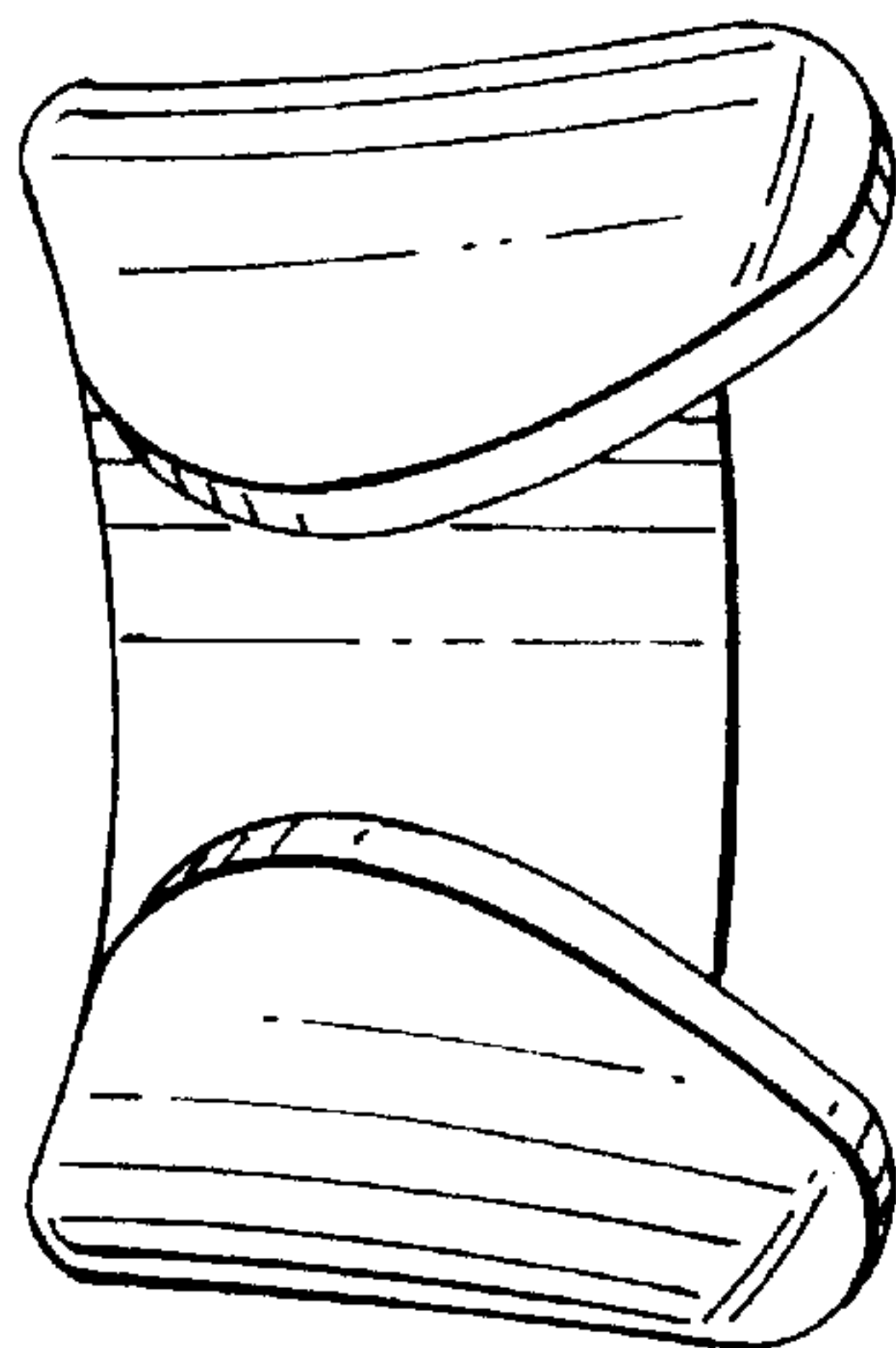


FIG. 3

FIG. 4

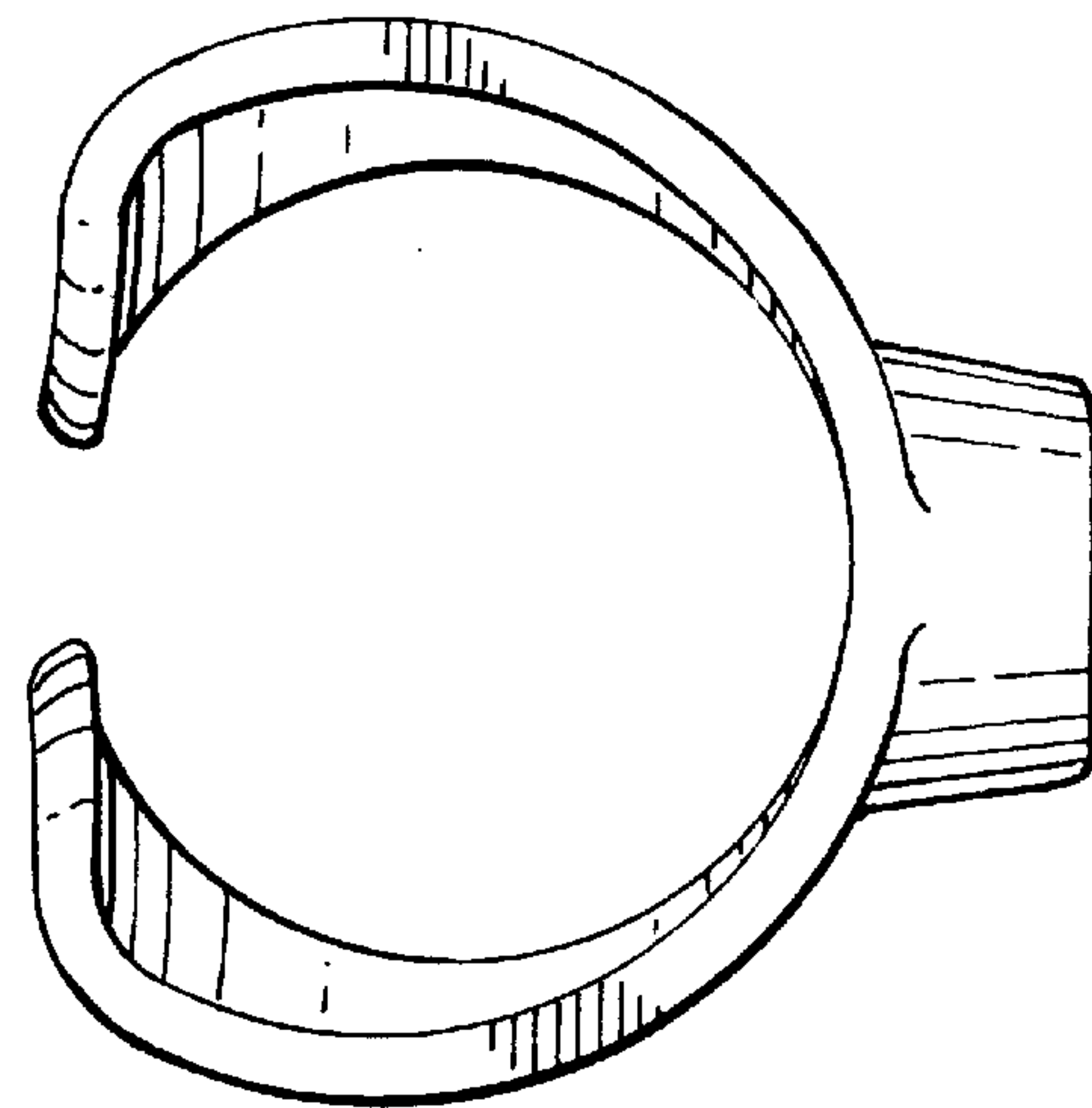
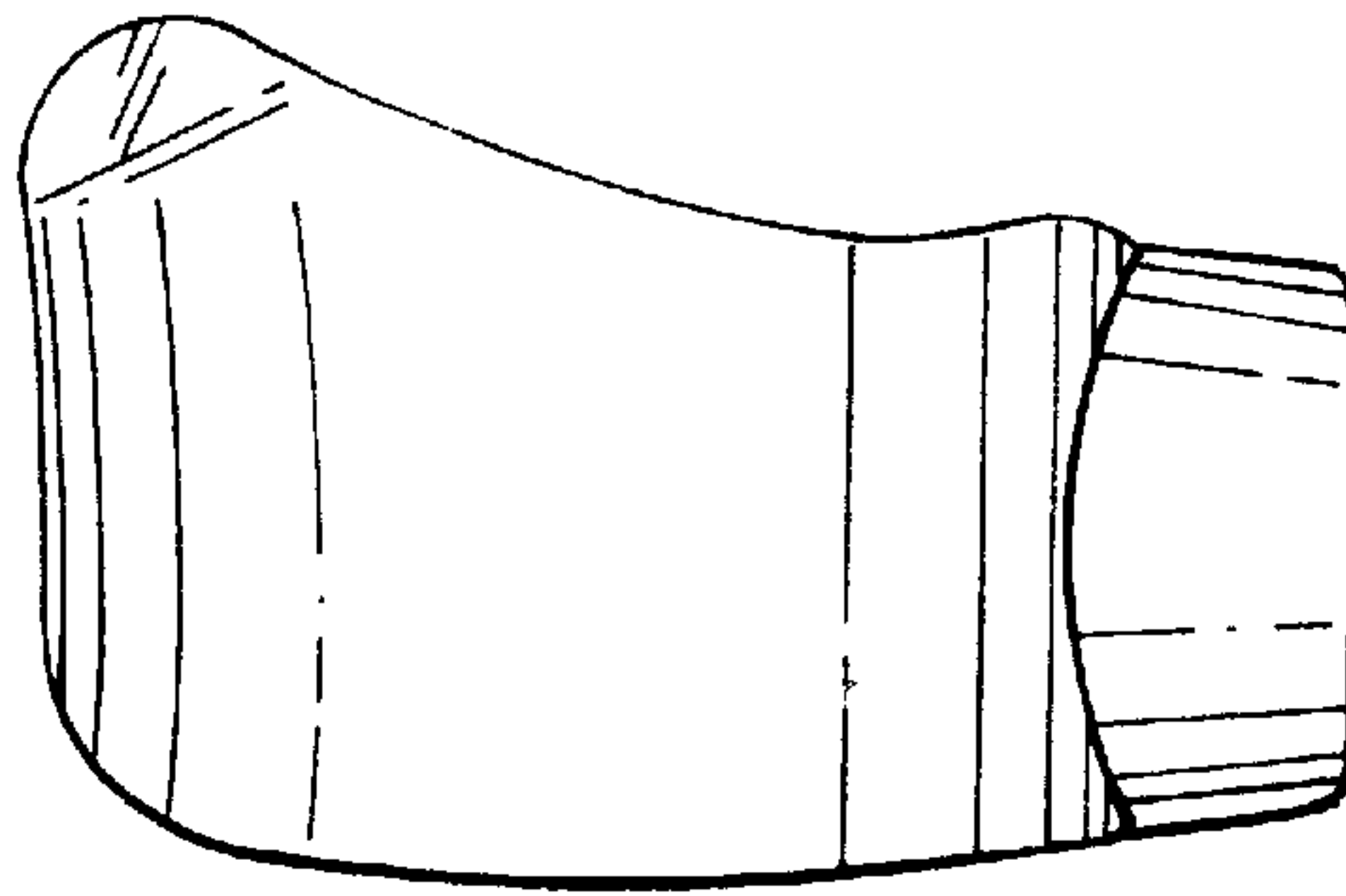


FIG. 5

FIG. 6

