



US00D517771S

(12) **United States Design Patent**
Haro

(10) **Patent No.:** **US D517,771 S**
(45) **Date of Patent:** **** Mar. 28, 2006**

(54) **CROWN-SHAPED FOOD PRODUCT**

(75) Inventor: **Guillermo Haro**, Skokie, IL (US)

(73) Assignee: **Kraft Foods Holdings, Inc.**, Northfield, IL (US)

(**) Term: **14 Years**

(21) Appl. No.: **29/207,509**

(22) Filed: **Jun. 15, 2004**

Related U.S. Application Data

(62) Division of application No. 29/189,071, filed on Aug. 28, 2003, now Pat. No. Des. 497,236.

(51) **LOC (8) Cl.** **01-01**

(52) **U.S. Cl.** **D1/106; D1/120; D1/126**

(58) **Field of Classification Search** D1/106,
D1/120, 126, 127-128; D21/386; D11/59;
426/104, 451, 514, 516

See application file for complete search history.

(56) **References Cited**

U.S. PATENT DOCUMENTS

D317,183 S 5/1991 Neuroth et al.
D324,753 S 3/1992 Meyers, Jr. et al.
D325,804 S 5/1992 Meyers, Jr. et al.
D326,553 S 6/1992 Meyers, Jr. et al.

D352,811 S 11/1994 Gonzalez
D374,573 S 10/1996 Brunner et al.
D380,886 S 7/1997 Hauser et al.
D381,185 S 7/1997 Hauser et al.
D381,486 S 7/1997 Hauser et al.
D392,435 S 3/1998 Mocking et al.
D394,535 S 5/1998 Villota et al.
D417,332 S 12/1999 Dawe et al.
D428,235 S * 7/2000 Kreutzmann D1/120
D437,101 S 2/2001 Debbouz et al.

* cited by examiner

Primary Examiner—Pamela Burgess

(74) *Attorney, Agent, or Firm*—Fitch, Even, Tabin & Flannery

(57) **CLAIM**

The ornamental design for a crown-shaped food product, as shown and described.

DESCRIPTION

FIG. 1 is a top perspective view of a crown-shaped food product showing my new design;
FIG. 2 is a front elevational view thereof, the rear elevational view being identical;
FIG. 3 is a right side elevational view thereof, the left side elevational view being identical;
FIG. 4 is a top plan view thereof; and,
FIG. 5 is a bottom plan view thereof.

1 Claim, 1 Drawing Sheet

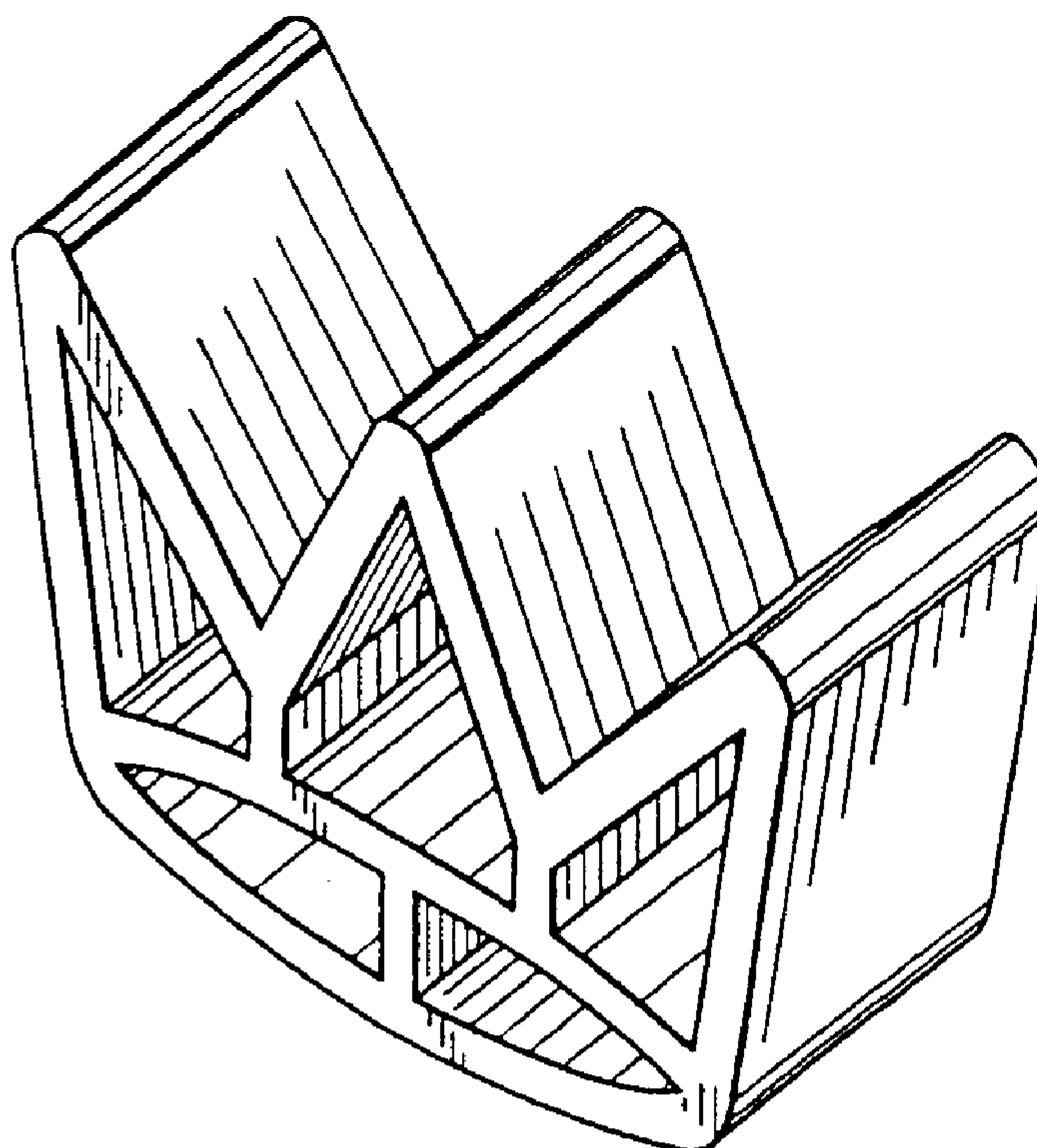


Fig. 1

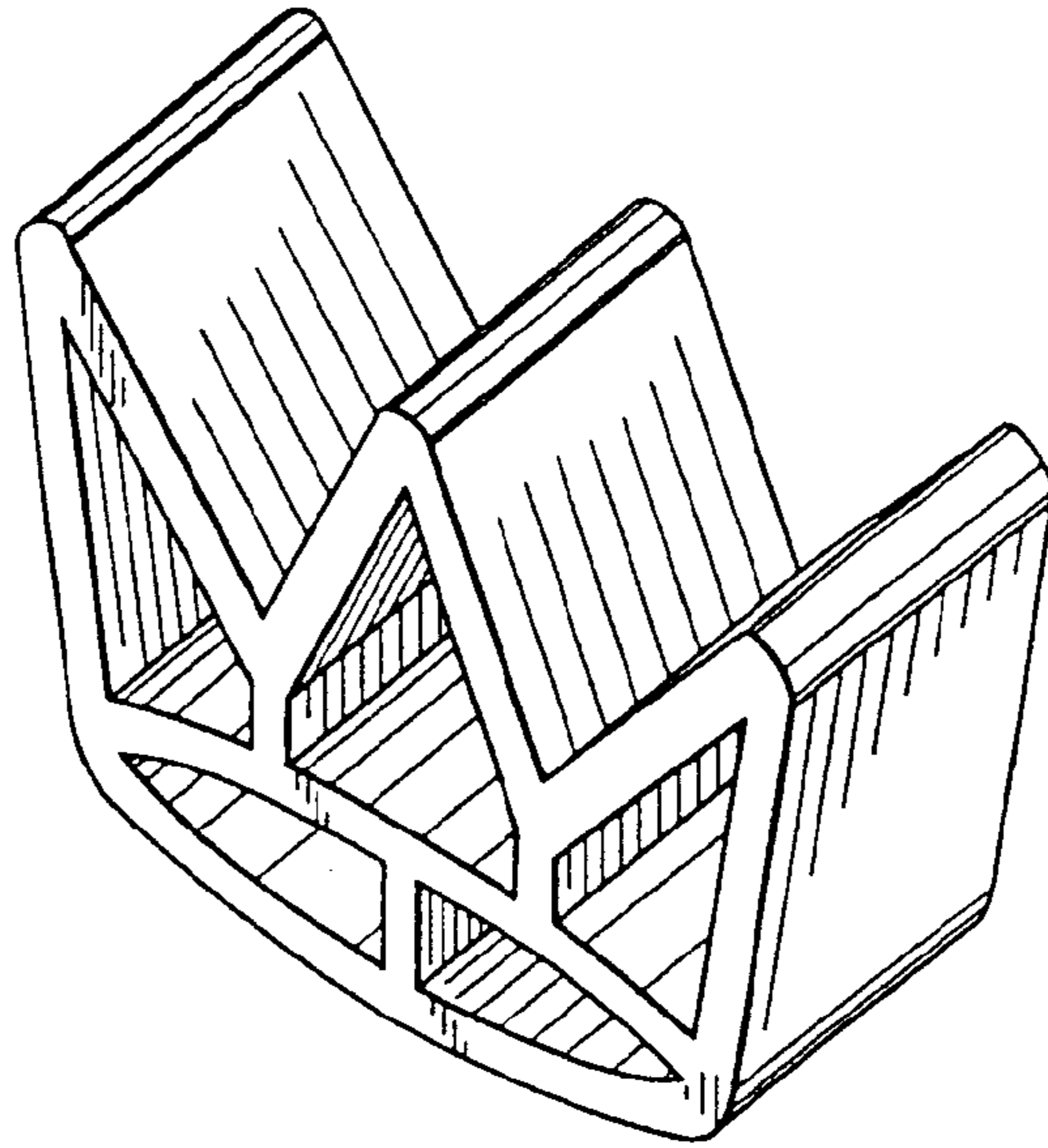


Fig. 2

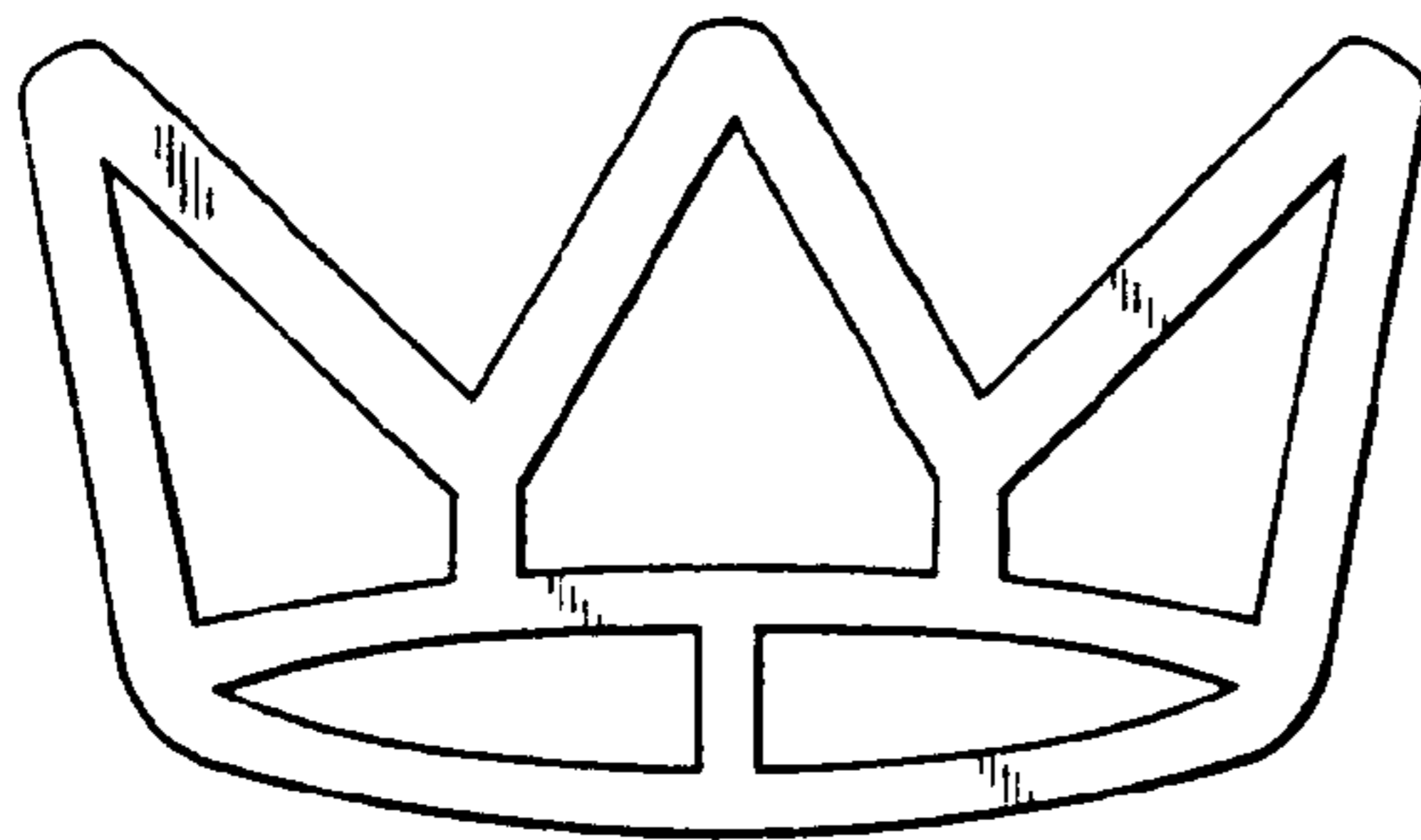


Fig. 3

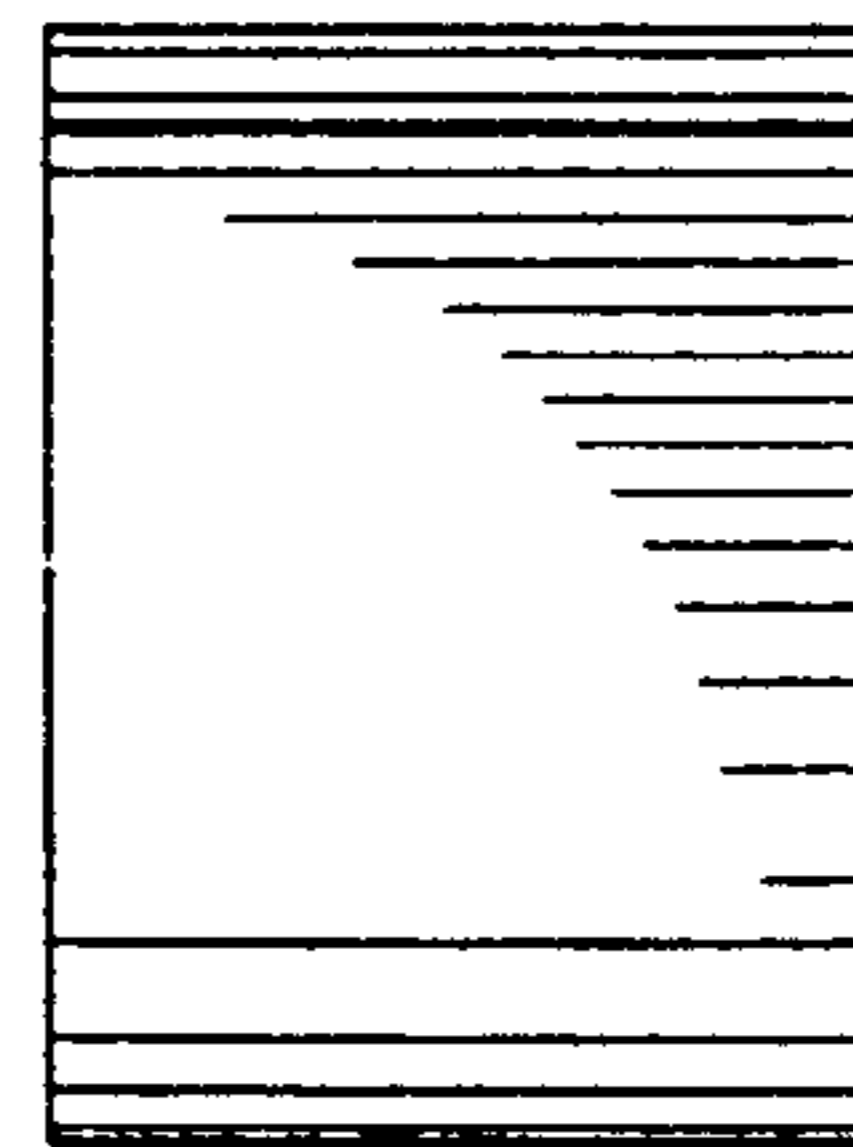


Fig. 4

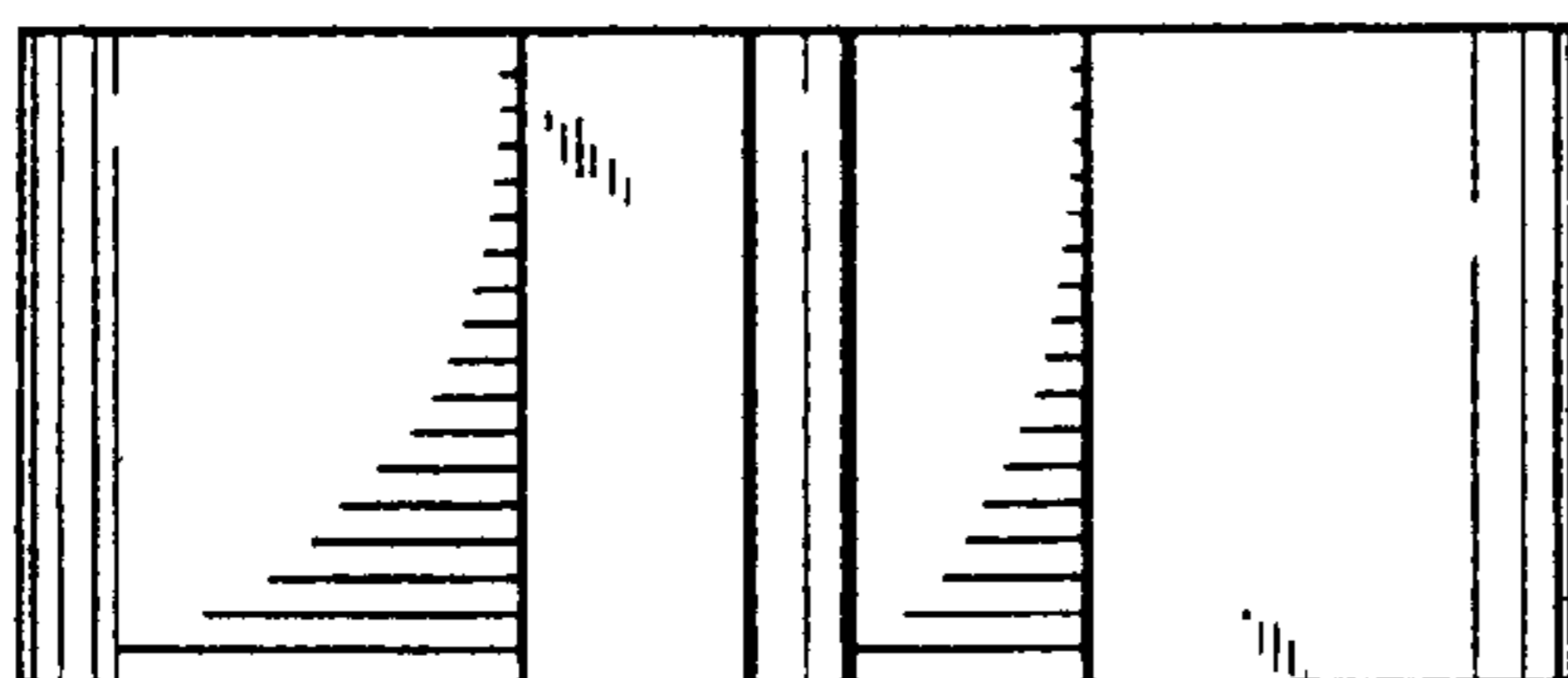


Fig. 5

