



US00D517768S

(12) **United States Design Patent** (10) **Patent No.:** **US D517,768 S**  
**Arceta** (45) **Date of Patent:** **\*\* Mar. 21, 2006**

(54) **CART**

(75) **Inventor:** **Radmond Vincent Arceta**, Manassas, VA (US)

(73) **Assignee:** **Rubbermaid Commercial Products LLC**, Winchester, VA (US)

(\*\*) **Term:** **14 Years**

(21) **Appl. No.:** **29/196,714**

(22) **Filed:** **Jan. 2, 2004**

(51) **LOC (8) Cl.** ..... **12-02**

(52) **U.S. Cl.** ..... **D34/14; D34/12; D24/185**

(58) **Field of Classification Search** ..... **D34/12, D34/13, 14, 15, 19-21, 24-27; D24/185, D24/186, 107, 177; 280/47.19, 47.26, 79.3, 280/47.35; 312/249.12, 249.1; D6/477, 478**  
See application file for complete search history.

(56) **References Cited**

**U.S. PATENT DOCUMENTS**

D146,375 S	2/1947	Obrig	
3,715,148 A	2/1973	Beals	
3,910,659 A	10/1975	Peterson	
D367,381 S	2/1996	Licari	
D387,168 S	* 12/1997	Edelman et al.	D24/186
D389,917 S	* 1/1998	Hornback et al.	D24/186
D390,733 S	2/1998	Brunner et al.	
5,841,361 A	11/1998	Hoffman	
D402,529 S	12/1998	Husted	
D410,230 S	5/1999	Witte	
6,073,942 A	6/2000	Heneveld	
D438,952 S	* 3/2001	Cimino et al.	D24/107
D458,780 S	6/2002	Siepmann et al.	
D459,477 S	* 6/2002	Stocks et al.	D24/164
D462,674 S	9/2002	Siepmann et al.	
D465,895 S	* 11/2002	Pfefferle et al.	D34/19
D468,420 S	* 1/2003	Bolmsjo	D24/107
D481,847 S	11/2003	Van Ledingham, Jr.	
D482,173 S	11/2003	Van Ledingham, Jr.	
D486,915 S	* 2/2004	Warschewske et al.	D24/185
D500,575 S	* 1/2005	Lucas	D34/12

**FOREIGN PATENT DOCUMENTS**

DE	195 40 058 C	6/1996
DE	297 01 427 U	3/1997
DE	196 42 523 A	5/1997
DE	196 49 982 C	6/1998
WO	WO 01/97745 A	12/2001
WO	WO 03/013307 A	2/2003

**OTHER PUBLICATIONS**

QuickMedical, Midmark, Ritter Special Procedures Cart, <http://quickmedical.com/Midmark/casework/ritter/345.html>.

Lionville Systems, Inc., Carts:: Healthcare, [http://www.lionville.com/carts\\_healthcare.html](http://www.lionville.com/carts_healthcare.html).

Lionville Systems, Inc., Carts:: Mobile Computing, [http://www.lionville.com/carts\\_mobile.html](http://www.lionville.com/carts_mobile.html).

(Continued)

*Primary Examiner*—Cynthia E. Ramirez  
(74) *Attorney, Agent, or Firm*—Foley & Lardner LLP

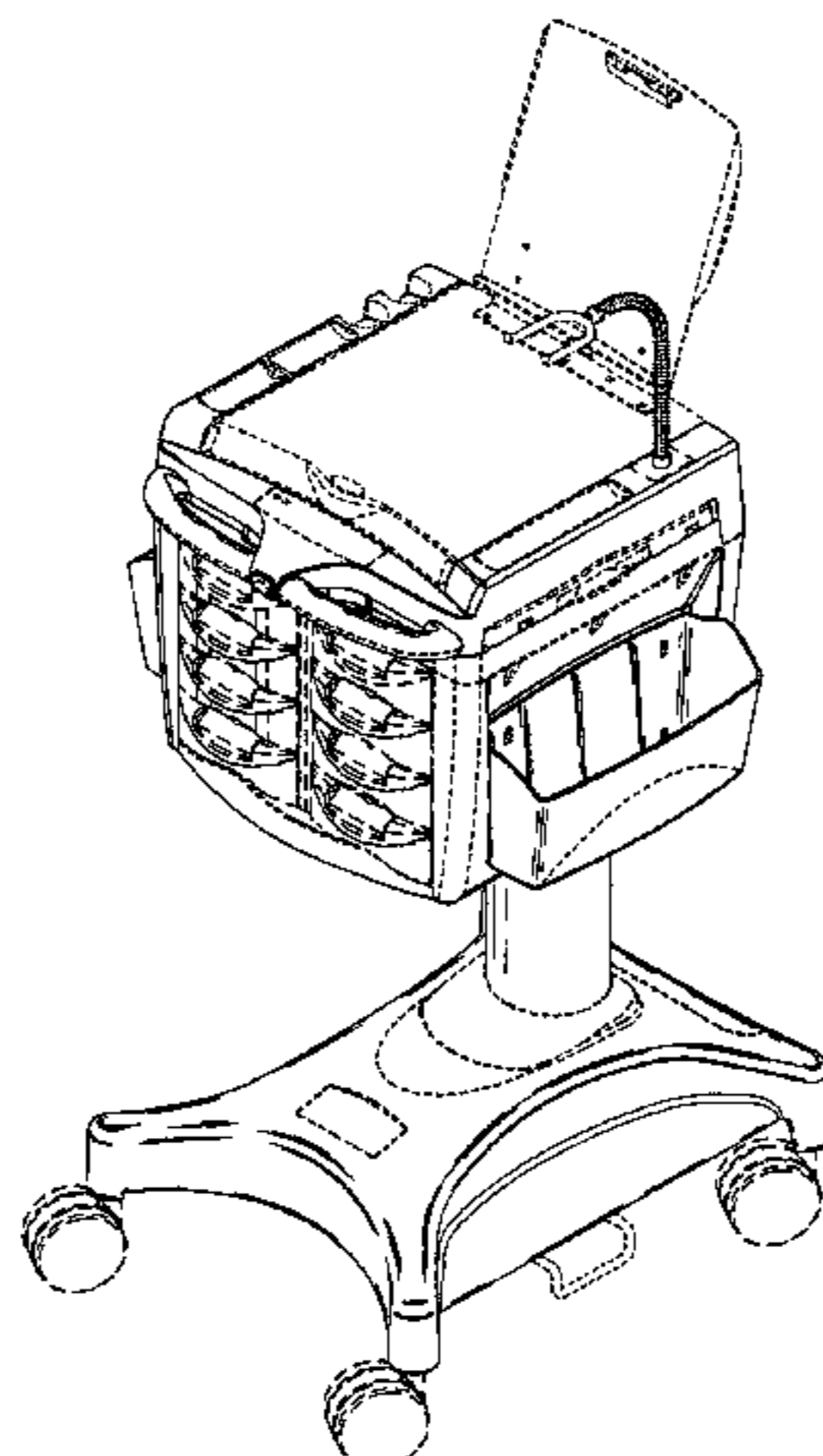
(57) **CLAIM**

The ornamental design for a cart, as shown and described.

**DESCRIPTION**

FIG. 1 is a perspective view of an embodiment of a cart according to my new design;  
FIG. 2 is a front elevational view of the cart shown in FIG. 1;  
FIG. 3 is a rear elevational view of the cart shown in FIG. 1;  
FIG. 4 is a left side elevational view of the cart shown in FIG. 1;  
FIG. 5 is a right side elevational view of the cart shown in FIG. 1;  
FIG. 6 is a top plan view of the cart shown in FIG. 1; and, FIG. 7 is a bottom plan view of the cart shown in FIG. 1.  
The broken line showing of some elements in the figures is for illustrative purposes only and forms no part of the claimed design.

**1 Claim, 6 Drawing Sheets**



OTHER PUBLICATIONS

Lionville Systems, Inc., Carts::Anesthesia, [http://www.lionville.com/carts\\_anesthesia.html](http://www.lionville.com/carts_anesthesia.html).

Lionville Systems, Inc., Carts:: Pharmacy Transfer, [http://www.lionville.com/carts\\_pharmatransfer.html](http://www.lionville.com/carts_pharmatransfer.html).

Lionville Systems, Inc., Carts:: Extended Care, [http://www.lionville.com/carts\\_extendedcare.html](http://www.lionville.com/carts_extendedcare.html).

Lionville Systems, Inc., Carts, <http://www.lionville.com>.

Lionville Systems, Inc., Carts::Acute Care, [http://www.lionville.com/carts\\_acute.html](http://www.lionville.com/carts_acute.html).

Lionville Systems, Inc., Carts, <http://www.lionville.com/carts.html>.

Lionville Systems, Inc., iCart#Brochure.

Lionville Systems, Inc., Medication Carts Brochure (400 Series, 600 Series, 800 Series).

Lionville Systems, Inc., Anesthesia Cart Brochure.

Lionville Systems, Inc., Medication Carts Brochure.

Lionville Systems, Inc., Healthcare Carts Brochure.

\* cited by examiner

Fig. 1

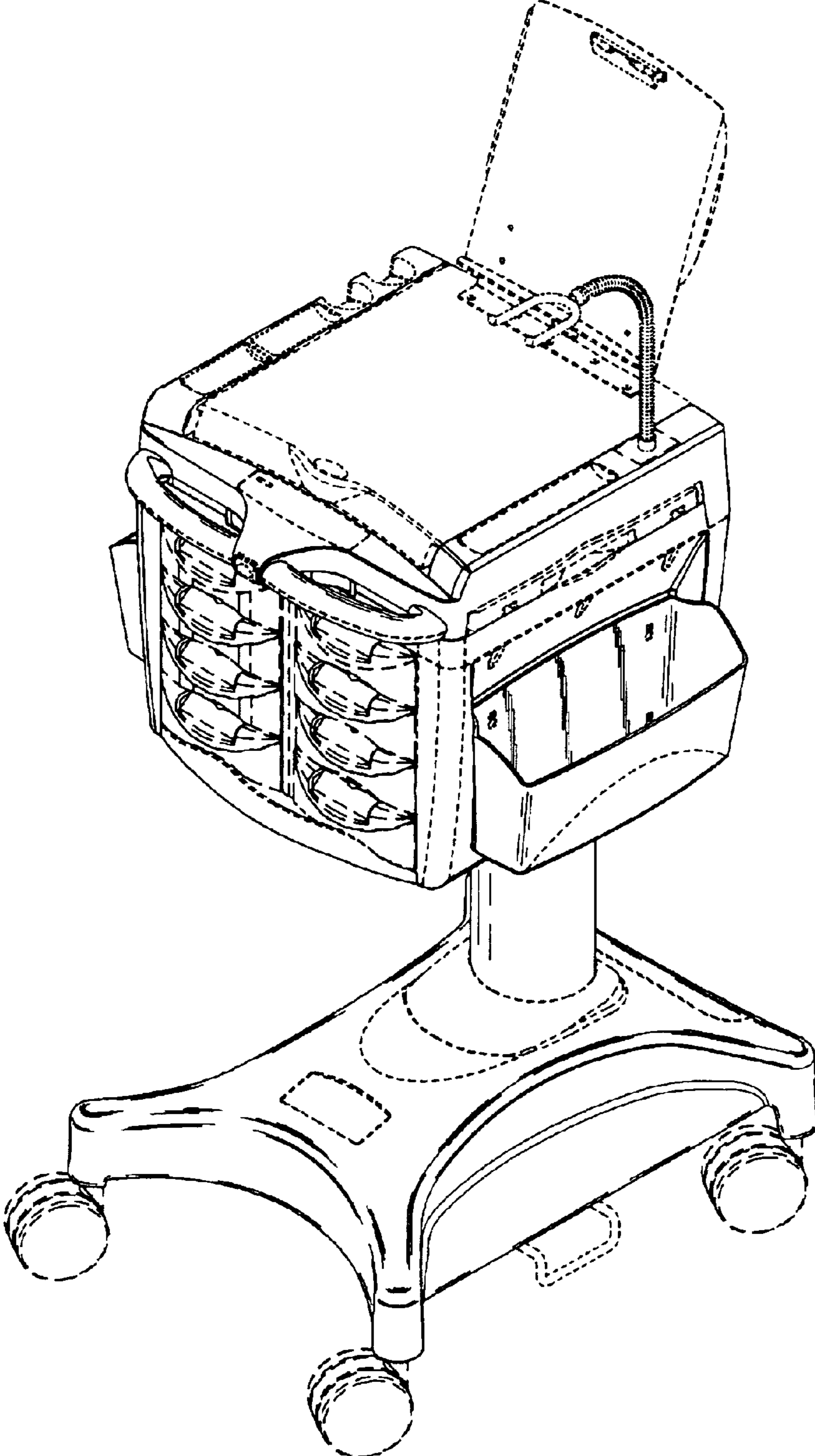


Fig. 2

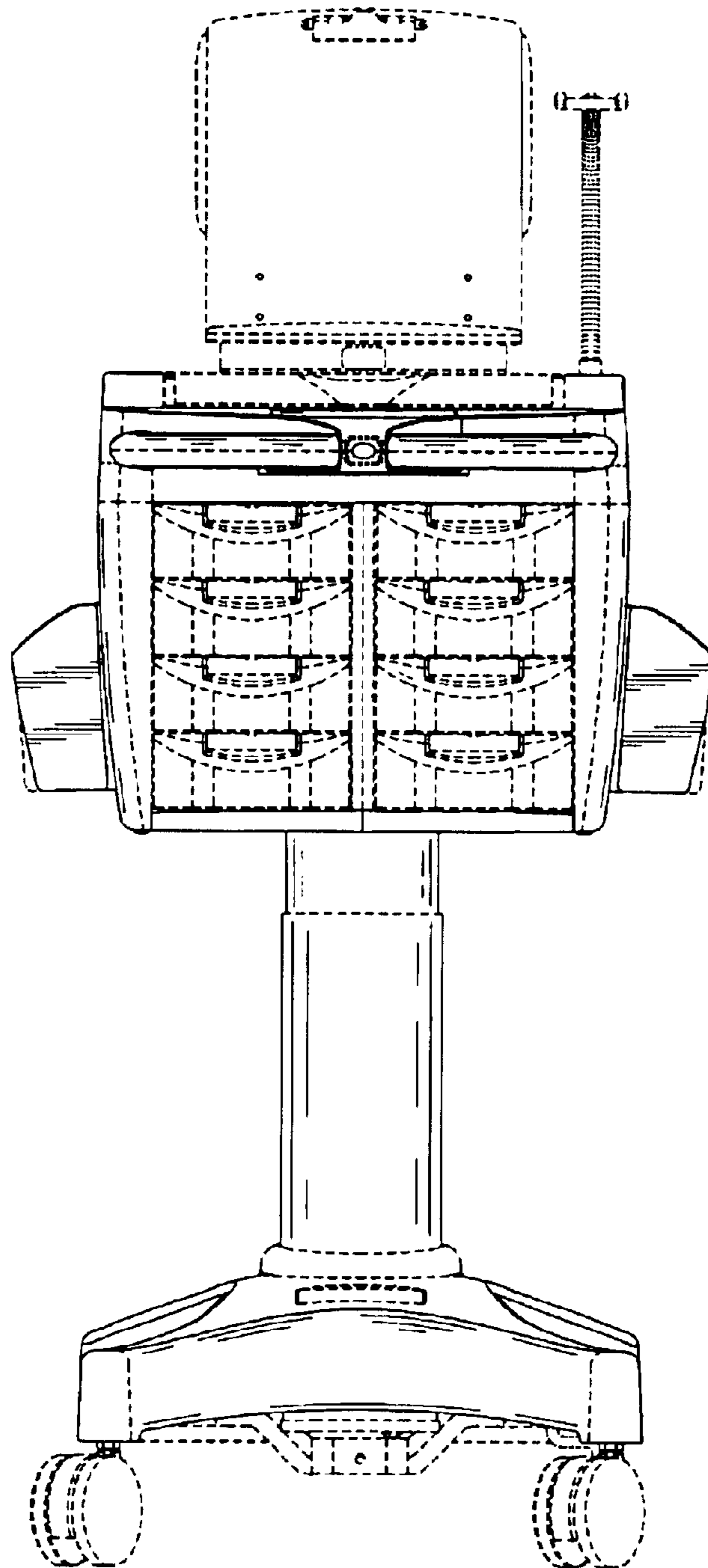


Fig. 3

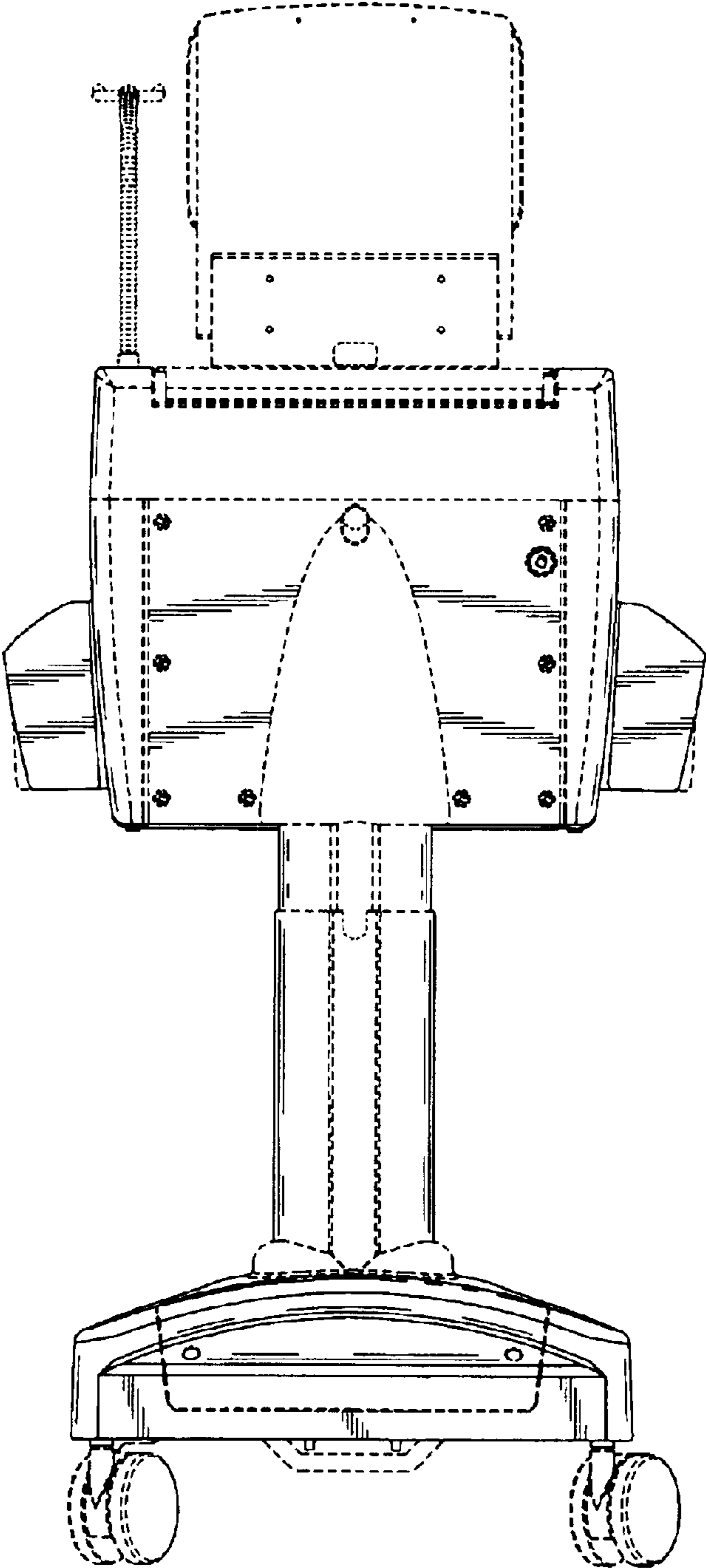




Fig. 4

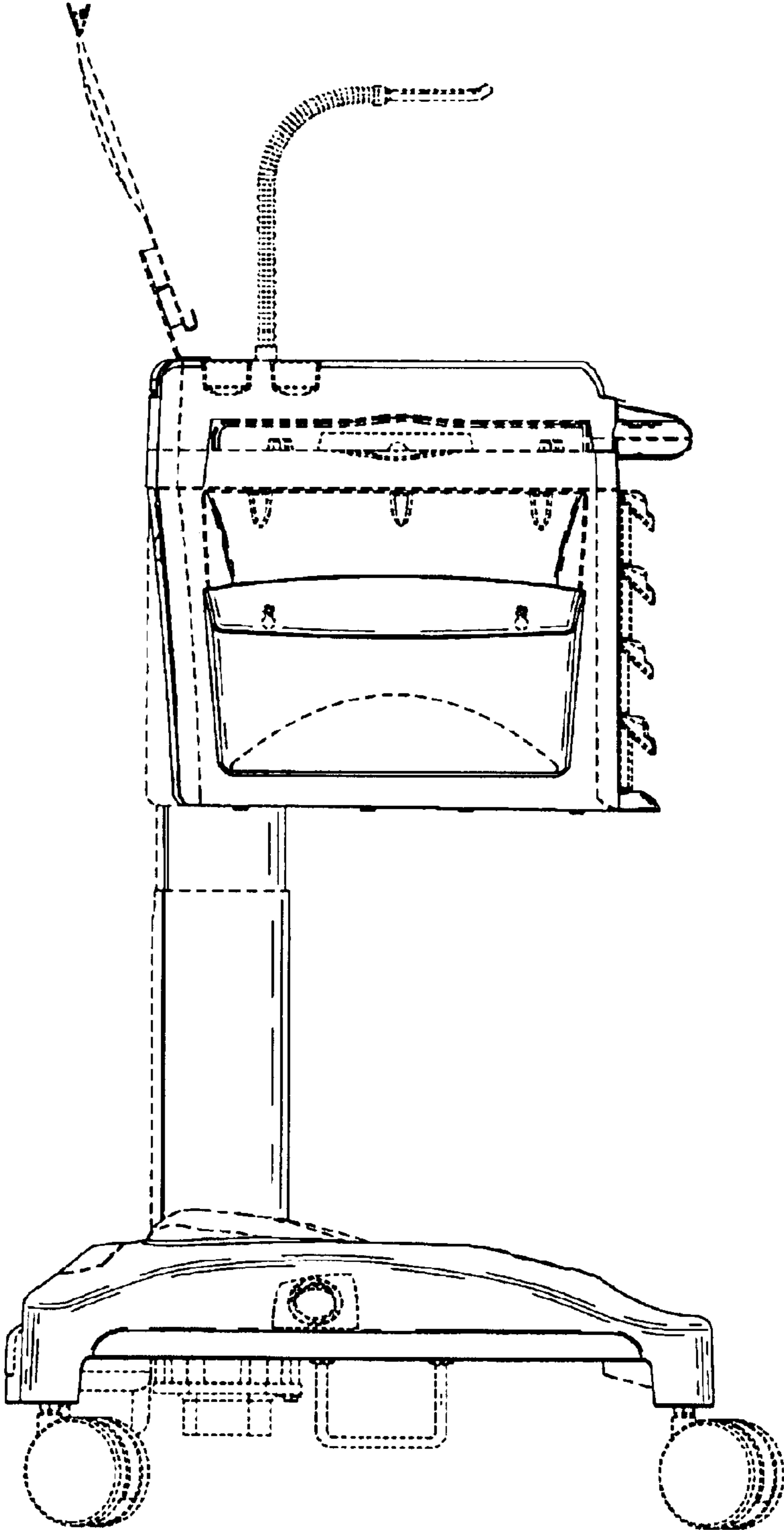


Fig. 5

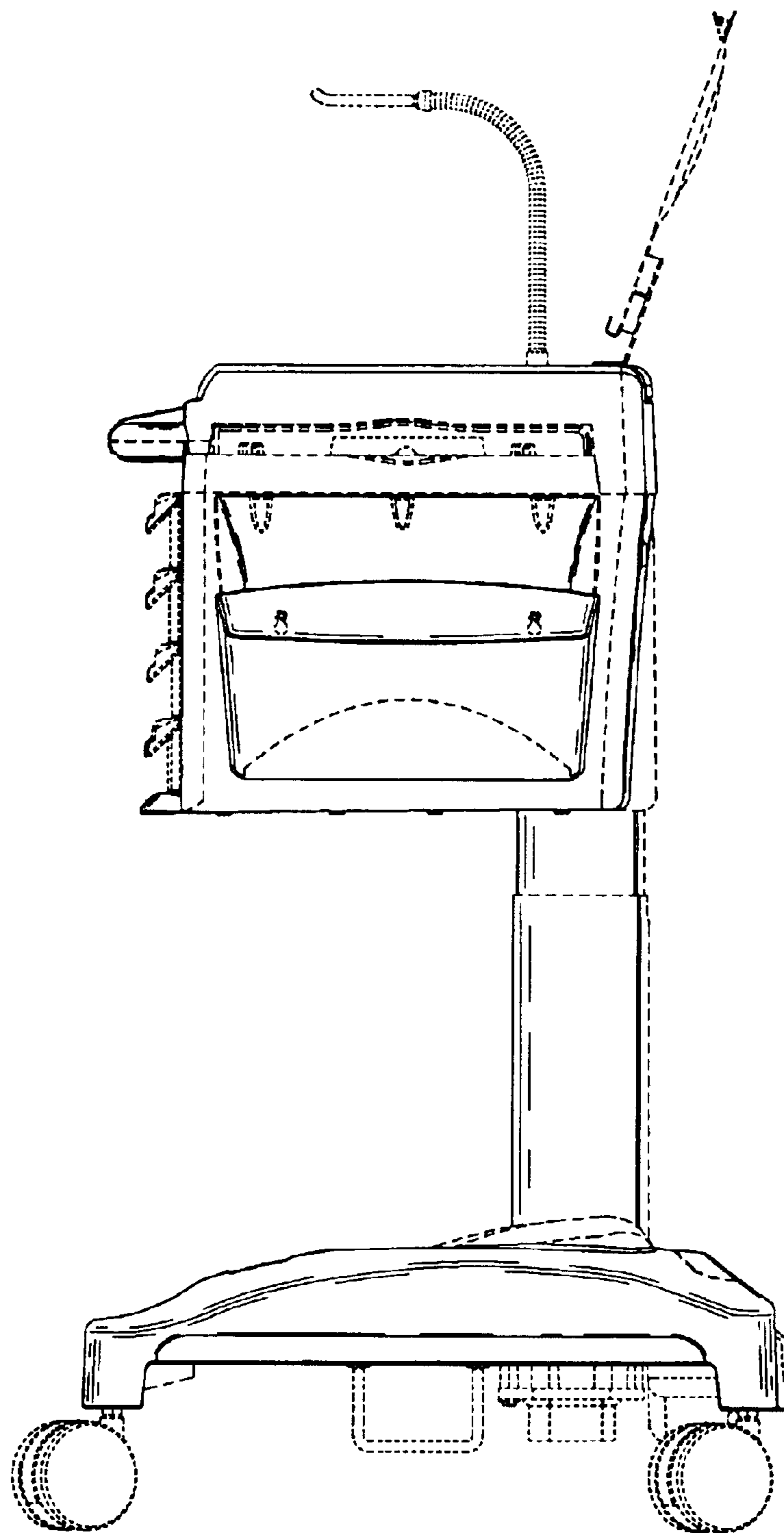


Fig. 6

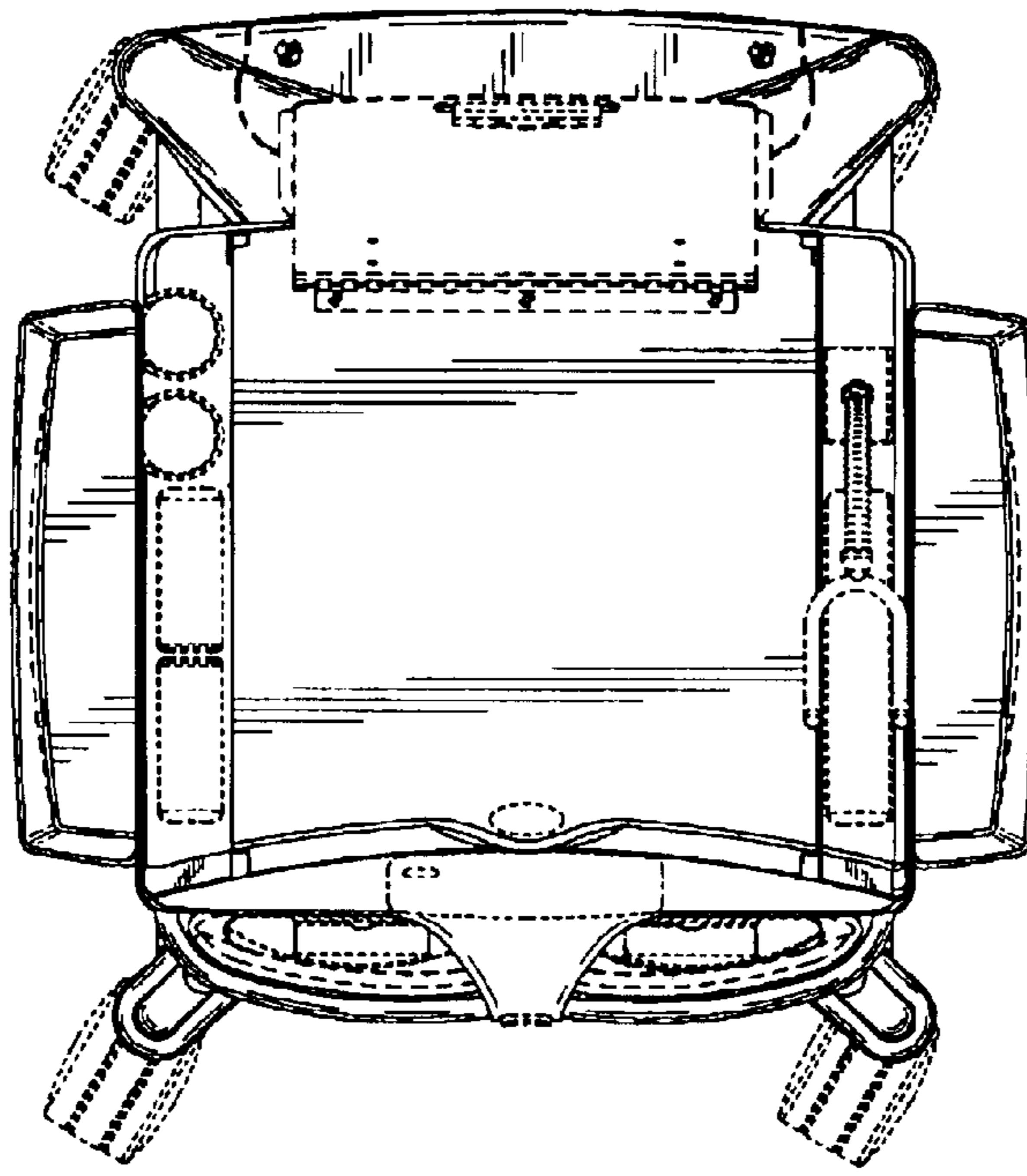


Fig. 7

