



US00D517760S

(12) **United States Design Patent**  
**Case et al.**

(10) **Patent No.:** **US D517,760 S**  
(45) **Date of Patent:** **\*\* Mar. 21, 2006**

(54) **IRON SAFETY HOLDER**

5,013,003 A 5/1991 Driessen et al.  
5,154,337 A 10/1992 Nick  
D416,365 S 11/1999 Case et al.

(76) Inventors: **Bryan G. Case**, 339 E. 11200 South,  
Sandy, UT (US) 84070; **Shannon P.  
Flynn**, 4307 E. San Remo Ave., Higley,  
AZ (US) 85236

\* cited by examiner

(\*\*) Term: **14 Years**

*Primary Examiner*—Alan P. Douglas  
*Assistant Examiner*—Lavone D. Tabor  
(74) *Attorney, Agent, or Firm*—M. Reid Russell

(21) Appl. No.: **29/197,657**

(57) **CLAIM**

(22) Filed: **Jan. 20, 2004**

The ornamental design for an iron safety holder, as shown  
and described.

(51) **LOC (8) Cl.** ..... **07-05**

(52) **U.S. Cl.** ..... **D32/73**

(58) **Field of Classification Search** ..... D32/68,  
D32/73, 66; 38/106, 107, 141, 142; 108/28,  
108/29; 248/117.1, 117.2, 117.3, 117.4, 117.5,  
248/117.6, 117.7, 153, 172

See application file for complete search history.

**DESCRIPTION**

FIG. 1 is a perspective view taken from the top and right side  
on an improved iron safety holder fitted onto an end of an  
ironing board, shown in broken lines, showing our new  
design;

FIG. 2 is a left side perspective view thereof;

FIG. 3 is a top plan view thereof;

FIG. 4 is a bottom plan view thereof;

FIG. 5 is a right side elevation view thereof;

FIG. 6 is a left side elevation view thereof;

FIG. 7 is a rear elevation view thereof; and,

FIG. 8 is a front elevation view thereof.

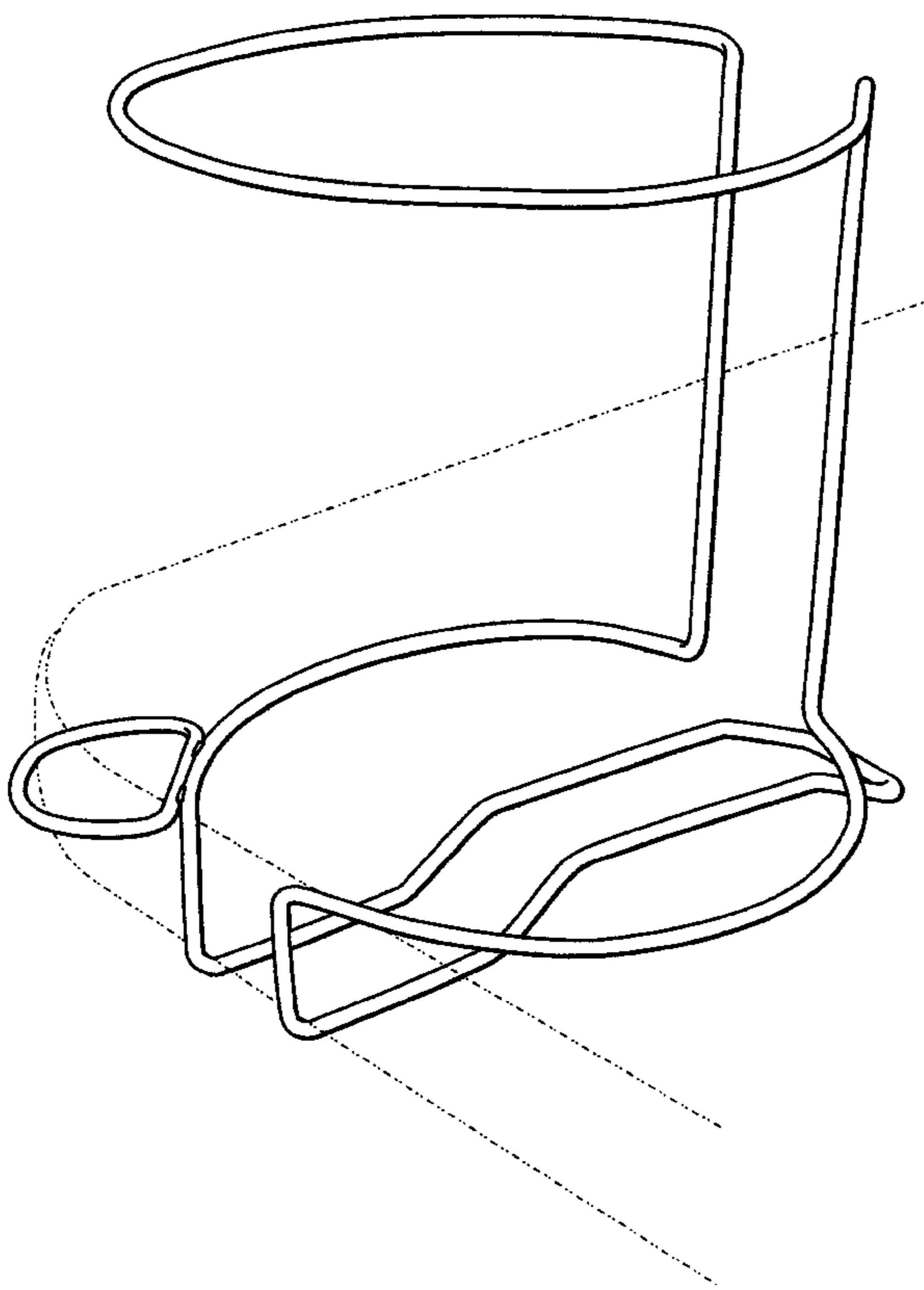
The broken line showing of the ironing board in FIG. 1 is for  
illustrative purposes only and does not form no a part of the  
claimed invention.

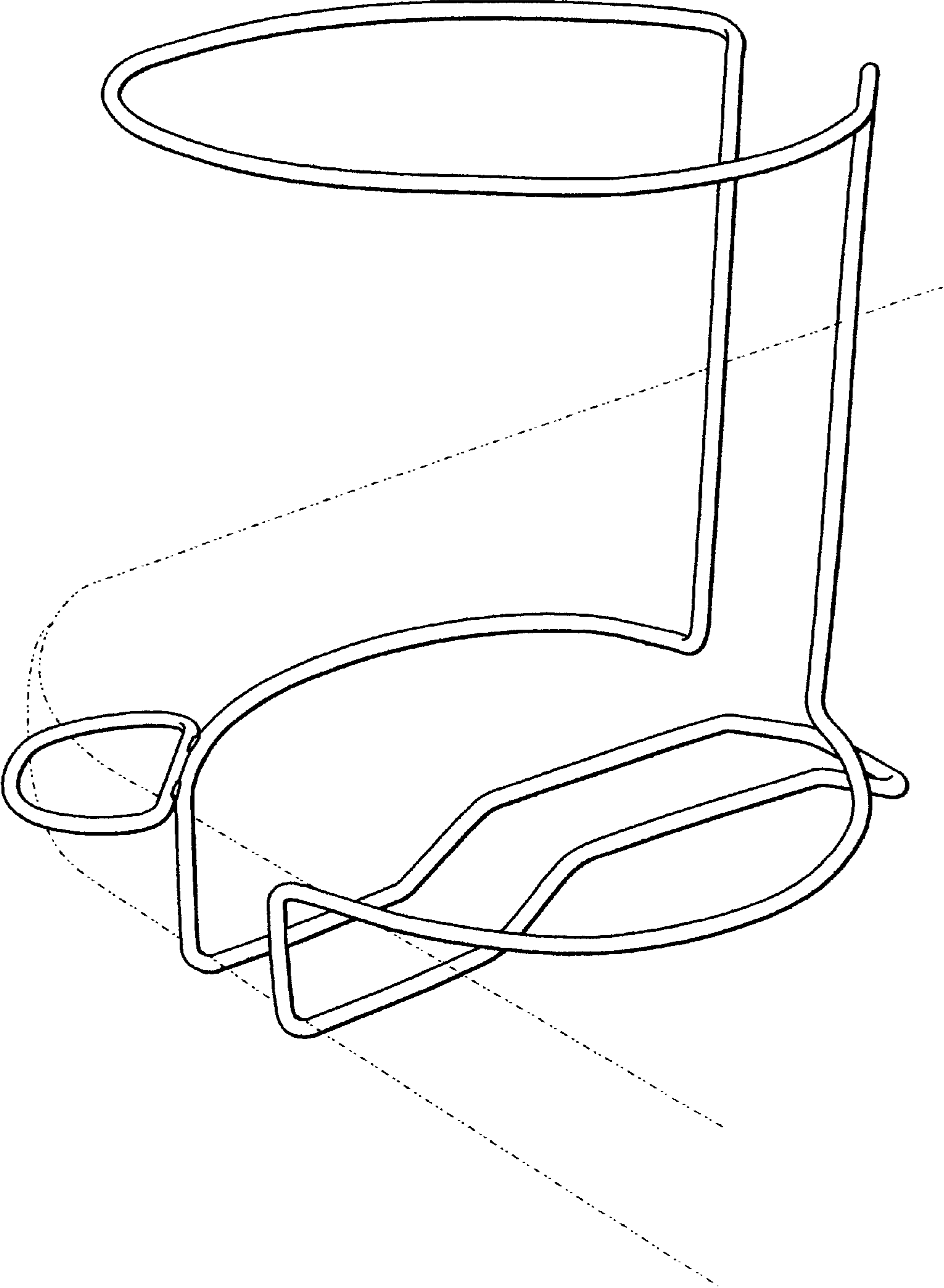
(56) **References Cited**

**U.S. PATENT DOCUMENTS**

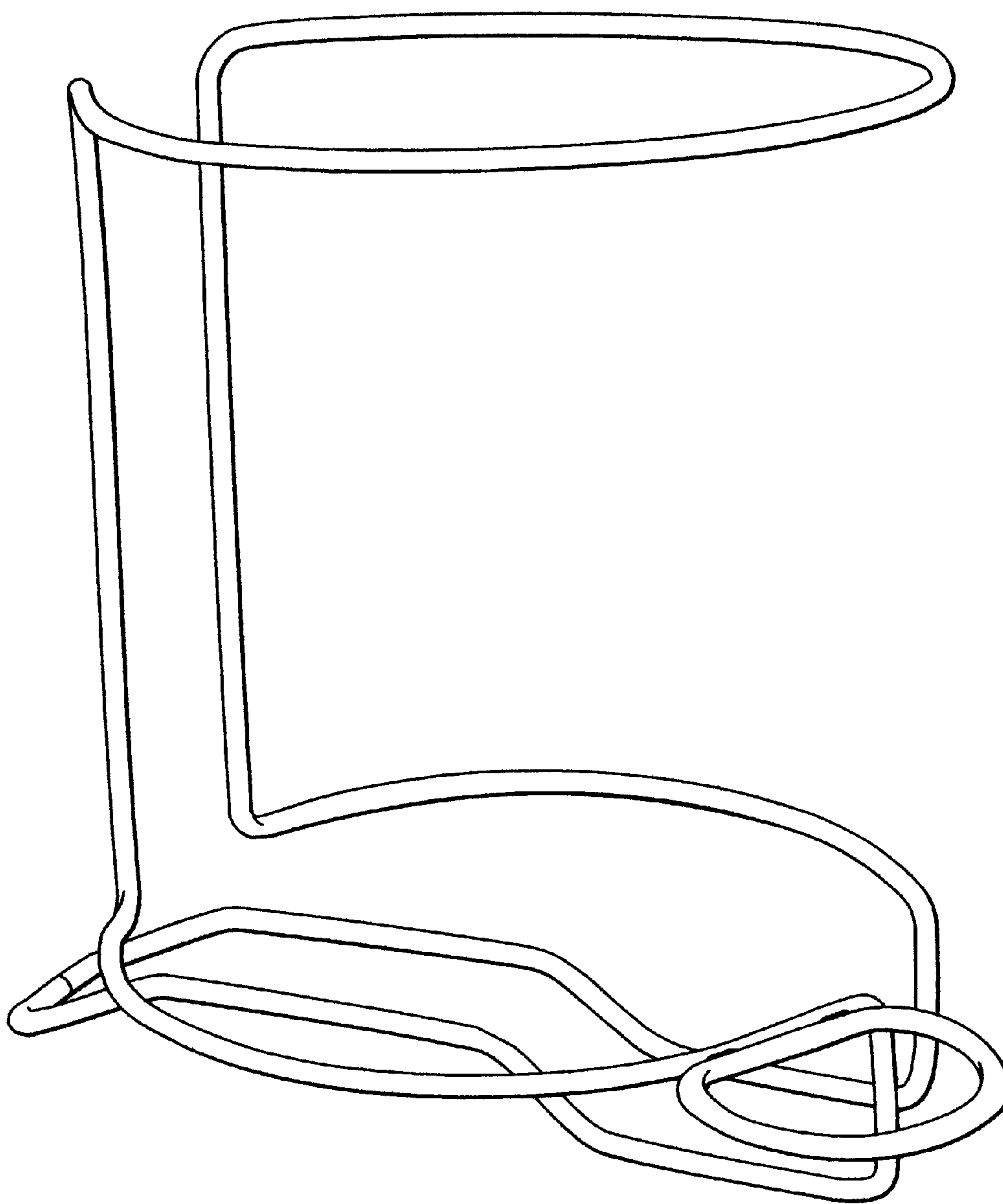
2,235,986	A	*	3/1941	Ellingson	.....	248/153
3,027,129	A	*	3/1962	Sorlie	.....	248/117.7
3,204,903	A	*	9/1965	Stoddard	.....	248/117.6
D207,066	S	*	2/1967	Nelson	.....	D32/73
4,368,863	A		1/1983	Gentile		
4,525,942	A		7/1985	Azzara		
4,657,213	A		4/1987	Hartlage		
4,918,845	A		4/1990	Livecchi		
D311,618	S	*	10/1990	Mattesky	.....	D32/73

**1 Claim, 7 Drawing Sheets**

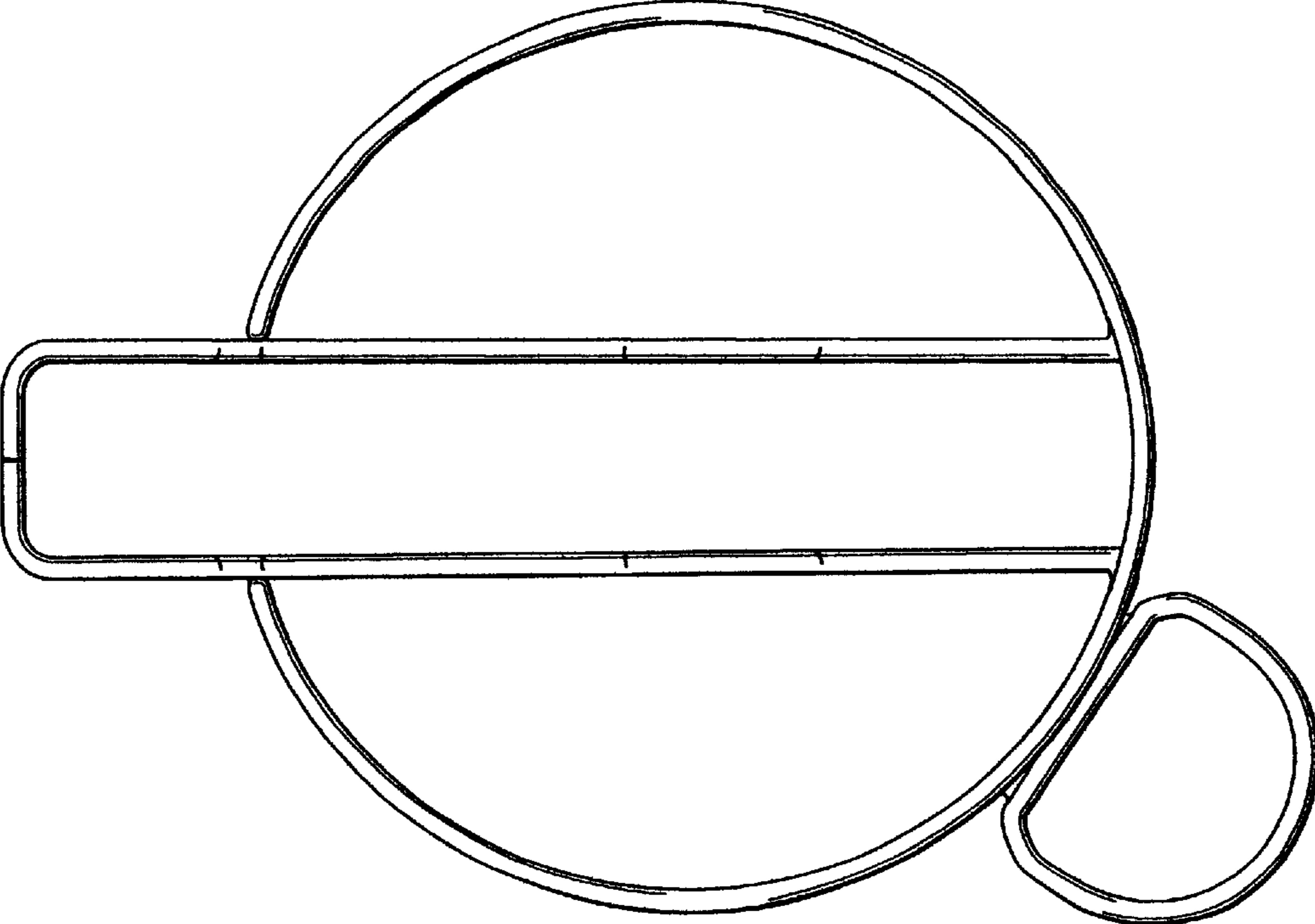




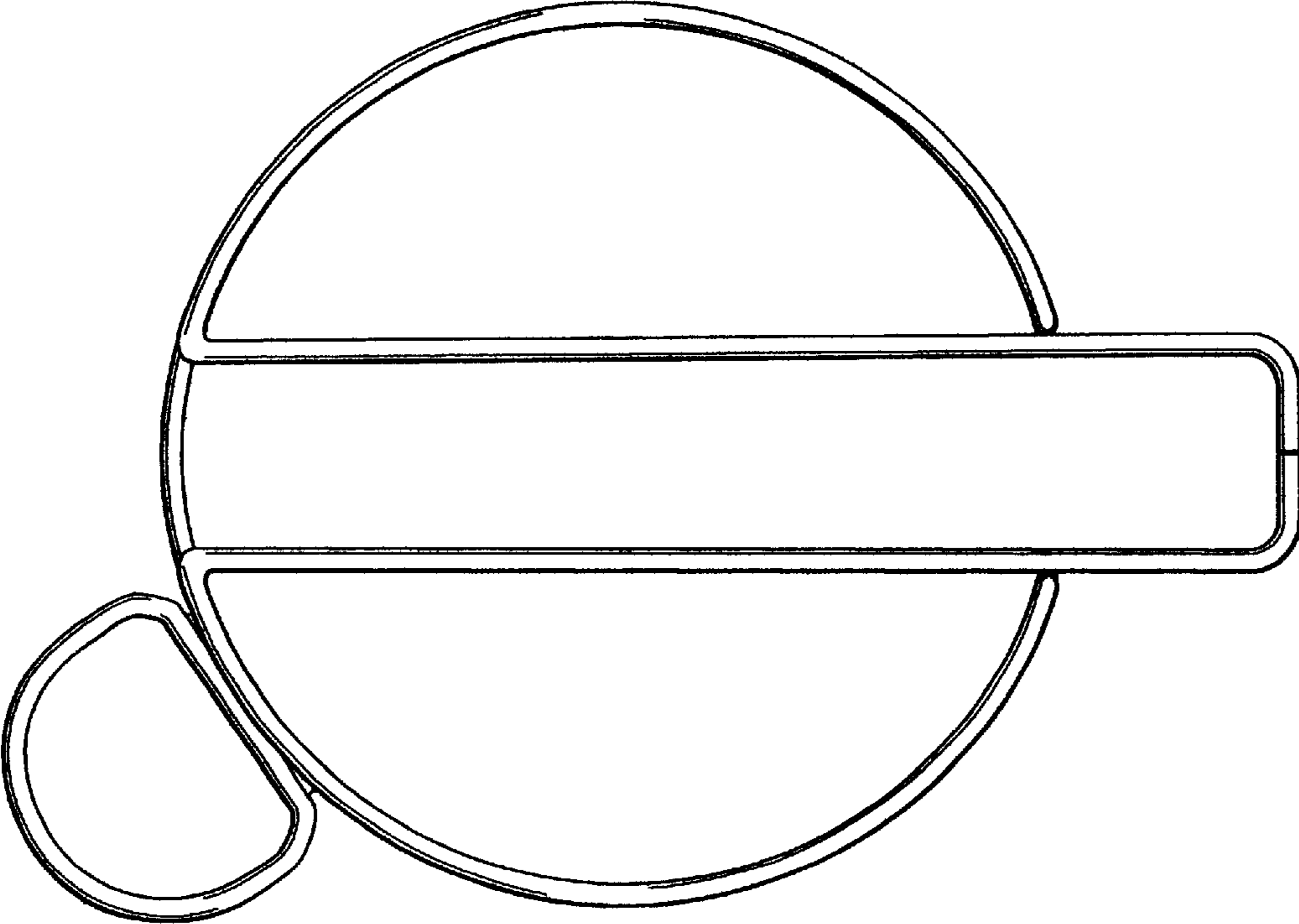
**Fig. 1**



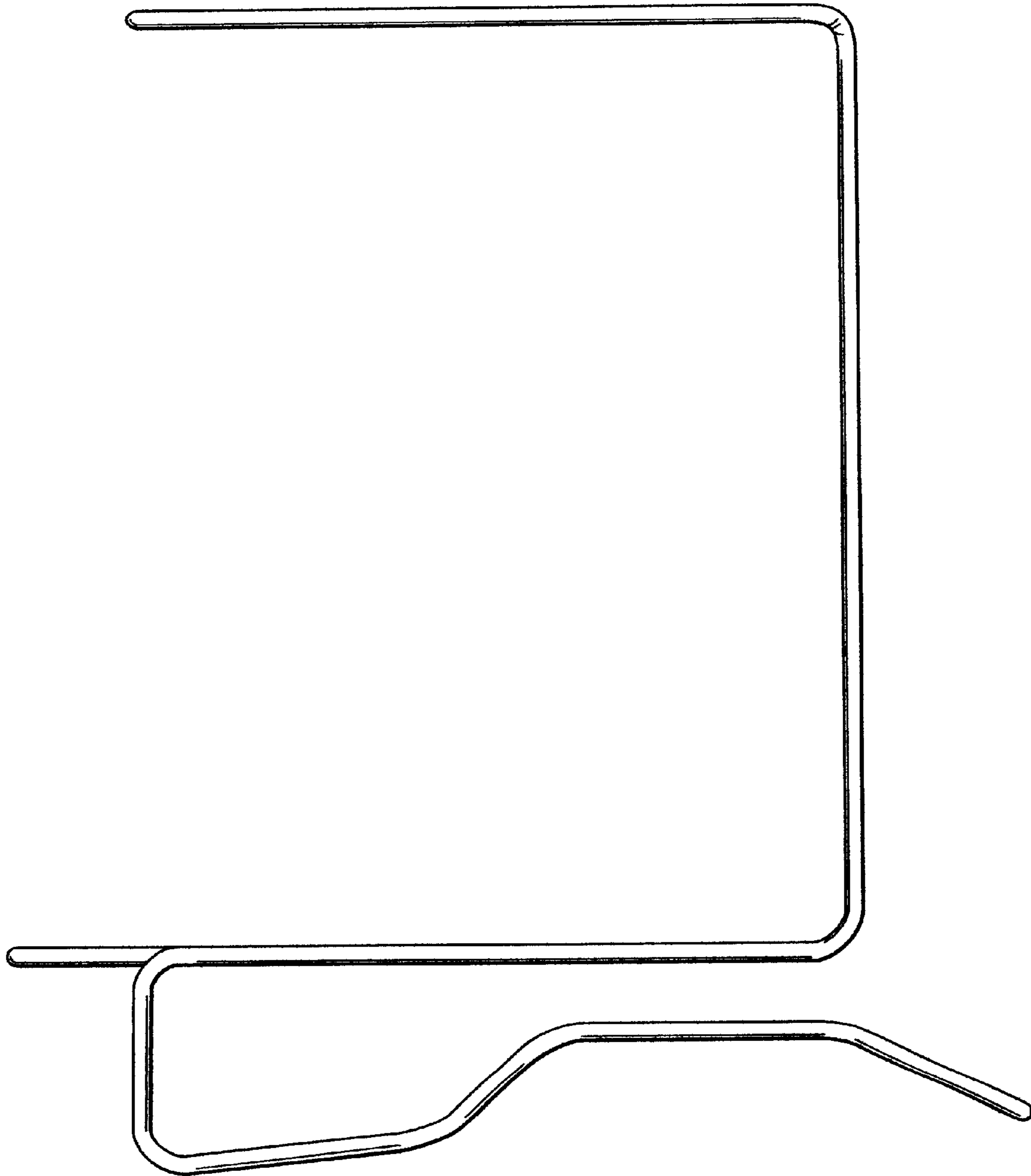
**Fig. 2**



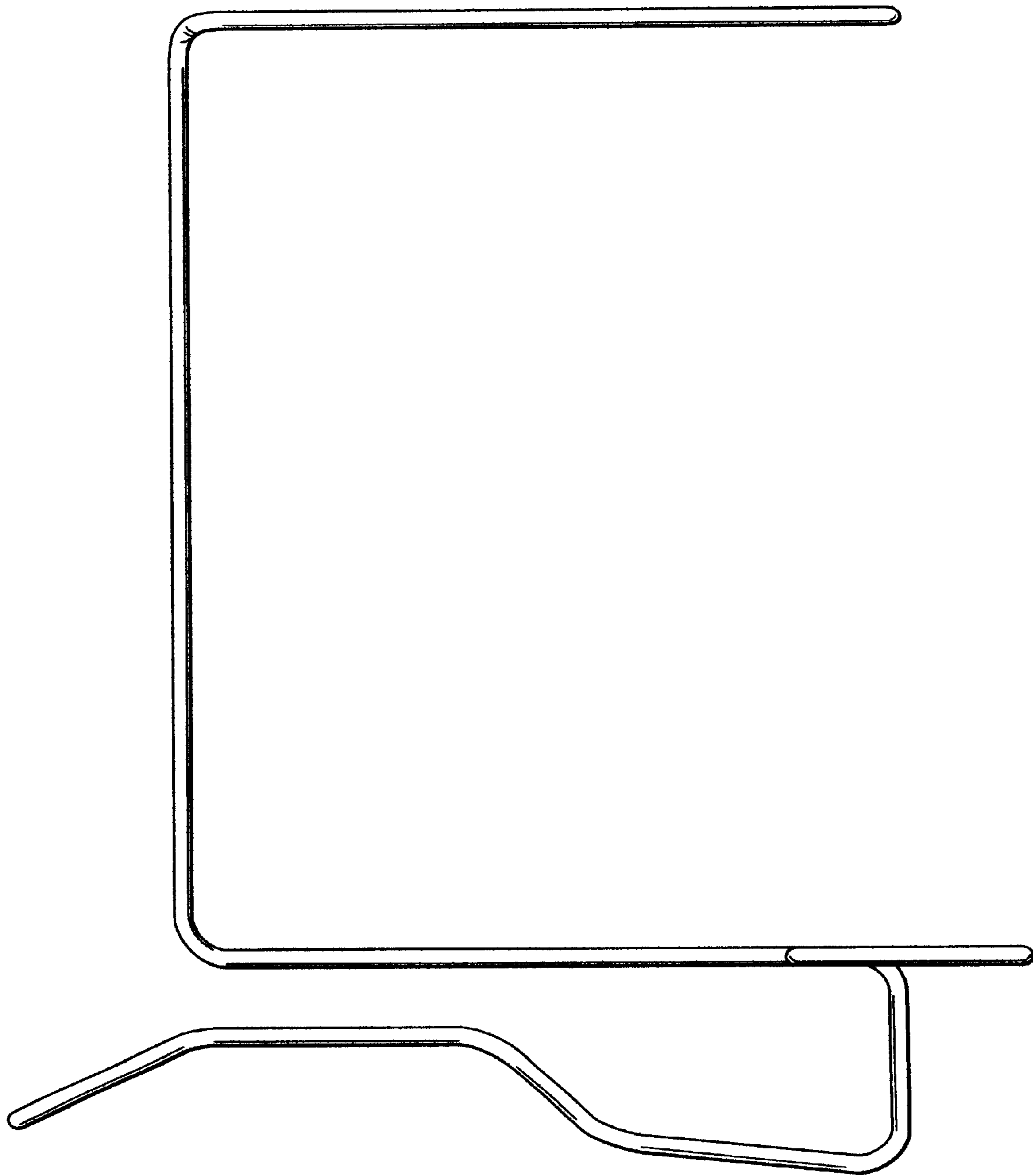
**Fig. 3**



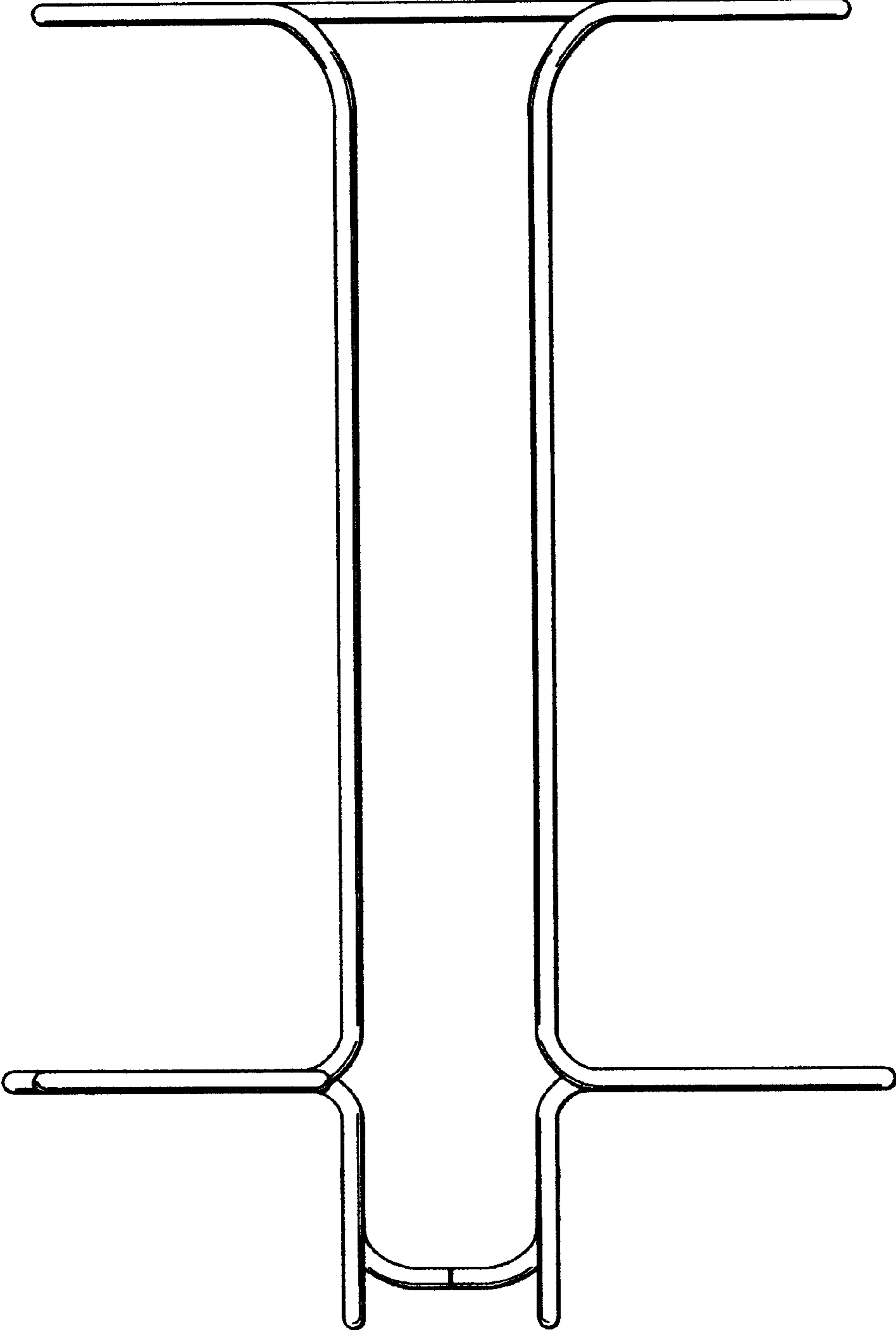
**Fig. 4**



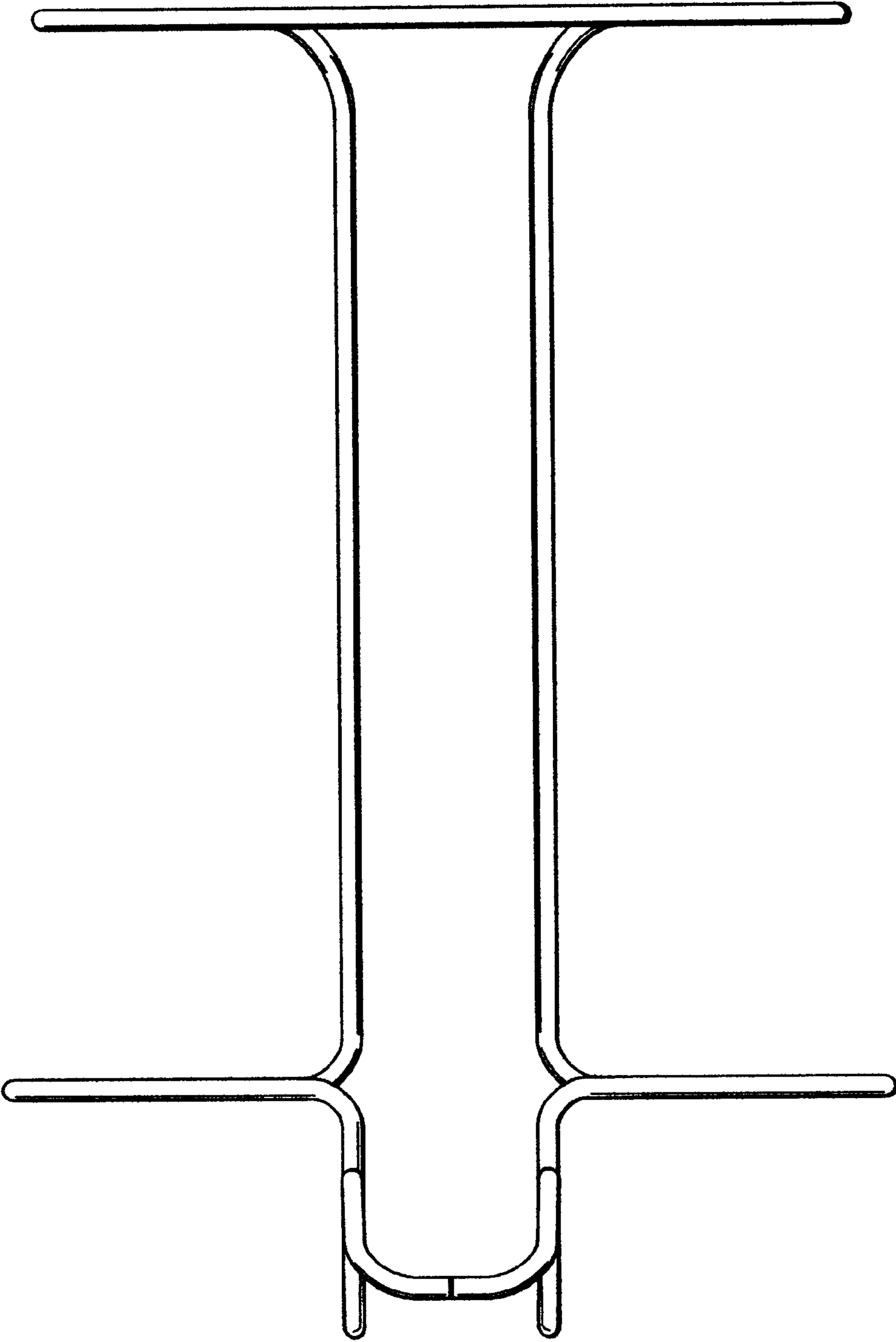
**Fig. 5**



**Fig. 6**



**Fig. 7**



**Fig. 8**