



US00D517758S

(12) **United States Design Patent**
Hay et al.

(10) **Patent No.: US D517,758 S**
(45) **Date of Patent: ** Mar. 21, 2006**

(54) **SQUEEGEE**

(75) Inventors: **Christopher Hay**, Causeway Bay
(HK); **Donald Hay**, Causeway Bay
(HK)

(73) Assignee: **Hayco Manufacturing Ltd.**, Causeway
Bay (HK)

(**) Term: **14 Years**

(21) Appl. No.: **29/174,205**

(22) Filed: **Jan. 13, 2003**

Related U.S. Application Data

(63) Continuation-in-part of application No. 29/162,424, filed on
Jun. 14, 2002, now Pat. No. Des. 473,028.

(51) **LOC (8) Cl.** **04-01**

(52) **U.S. Cl.** **D32/41**

(58) **Field of Classification Search** D32/10,
D32/41, 46, 49; D8/45; 15/121, 143.1, 236.01,
15/236.02, 245, 245.1

See application file for complete search history.

(56) **References Cited**

U.S. PATENT DOCUMENTS

2,882,716 A * 4/1959 Anderson, Sr. 401/139
D279,932 S * 7/1985 Bergstrom D32/41
D464,182 S * 10/2002 Vosbikian D32/41
D473,028 S * 4/2003 Hay et al. D32/41
D476,786 S * 7/2003 Sakurai D32/41

6,625,840 B1 * 9/2003 Hansen et al. 15/245
D480,853 S * 10/2003 Snell D32/41
D481,500 S * 10/2003 Libman et al. D32/41

* cited by examiner

Primary Examiner—Cynthia E. Ramirez

(74) *Attorney, Agent, or Firm*—Smith-Hill and Bedell

(57) **CLAIM**

The ornamental design for a “squeegee,” as shown and
described.

DESCRIPTION

FIG. 1 is a front perspective view showing a squeegee
showing our new design;

FIG. 2 is a top view of the squeegee shown in FIG. 1;

FIG. 3 is a bottom view of the squeegee shown in FIG. 1;

FIG. 4 is a front view of the squeegee shown in FIG. 1;

FIG. 5 is a rear view of the squeegee shown in FIG. 1;

FIG. 6 is a side view of the squeegee shown in FIG. 1;

FIG. 7 is another side of the squeegee shown in FIG. 1;

FIG. 8 is a front perspective view showing another embodi-
ment of a squeegee showing our new design;

FIG. 9 is a top view for the squeegee shown in FIG. 8;

FIG. 10 is a bottom view of the squeegee shown in FIG. 8;

FIG. 11 is a rear view of the squeegee shown in FIG. 8;

FIG. 12 is a side view of the squeegee shown in FIG. 8;

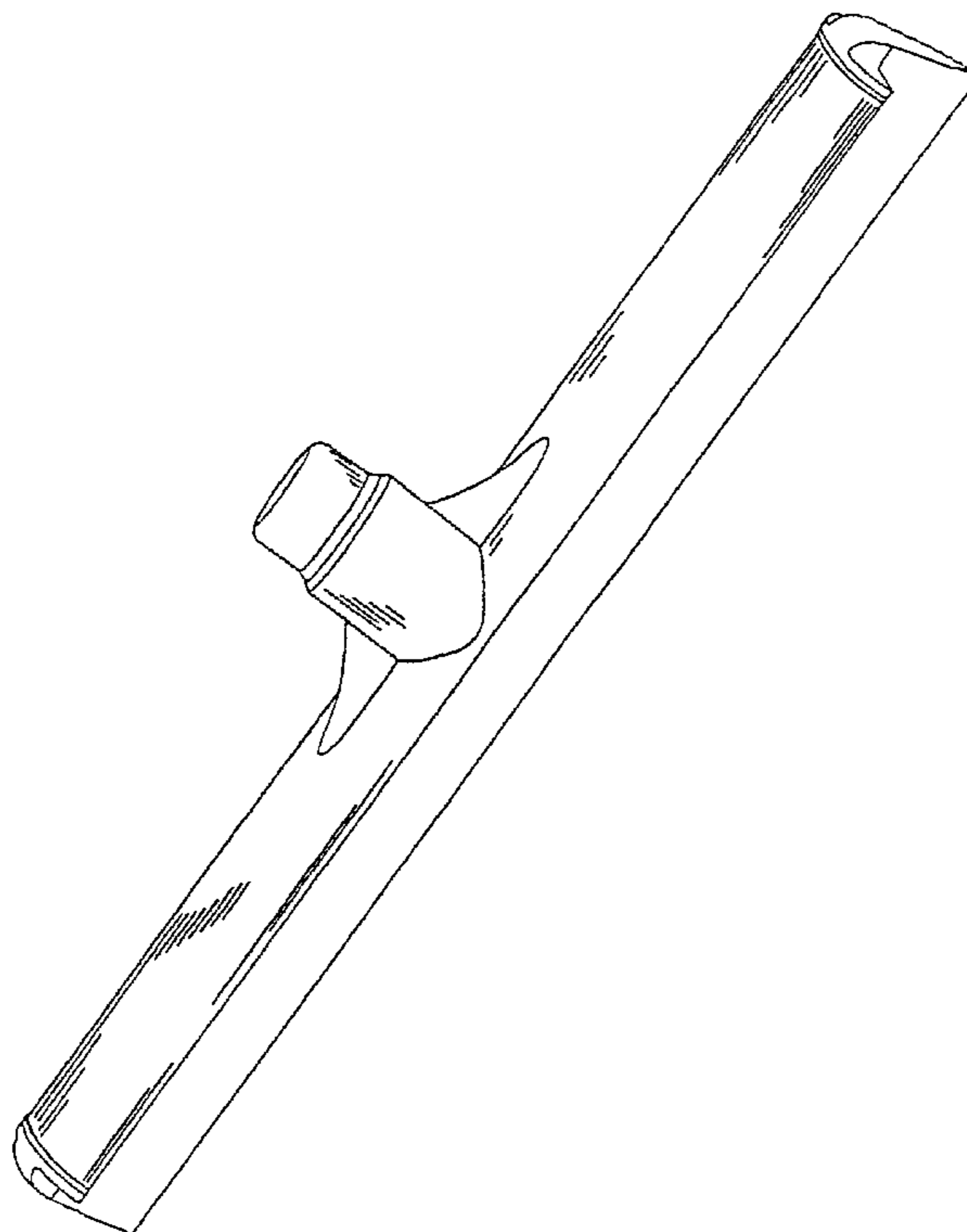
FIG. 13 is another side view of the squeegee shown in FIG.

8; and,

FIG. 14 is another side view of the squeegee shown in FIG.

8.

1 Claim, 12 Drawing Sheets



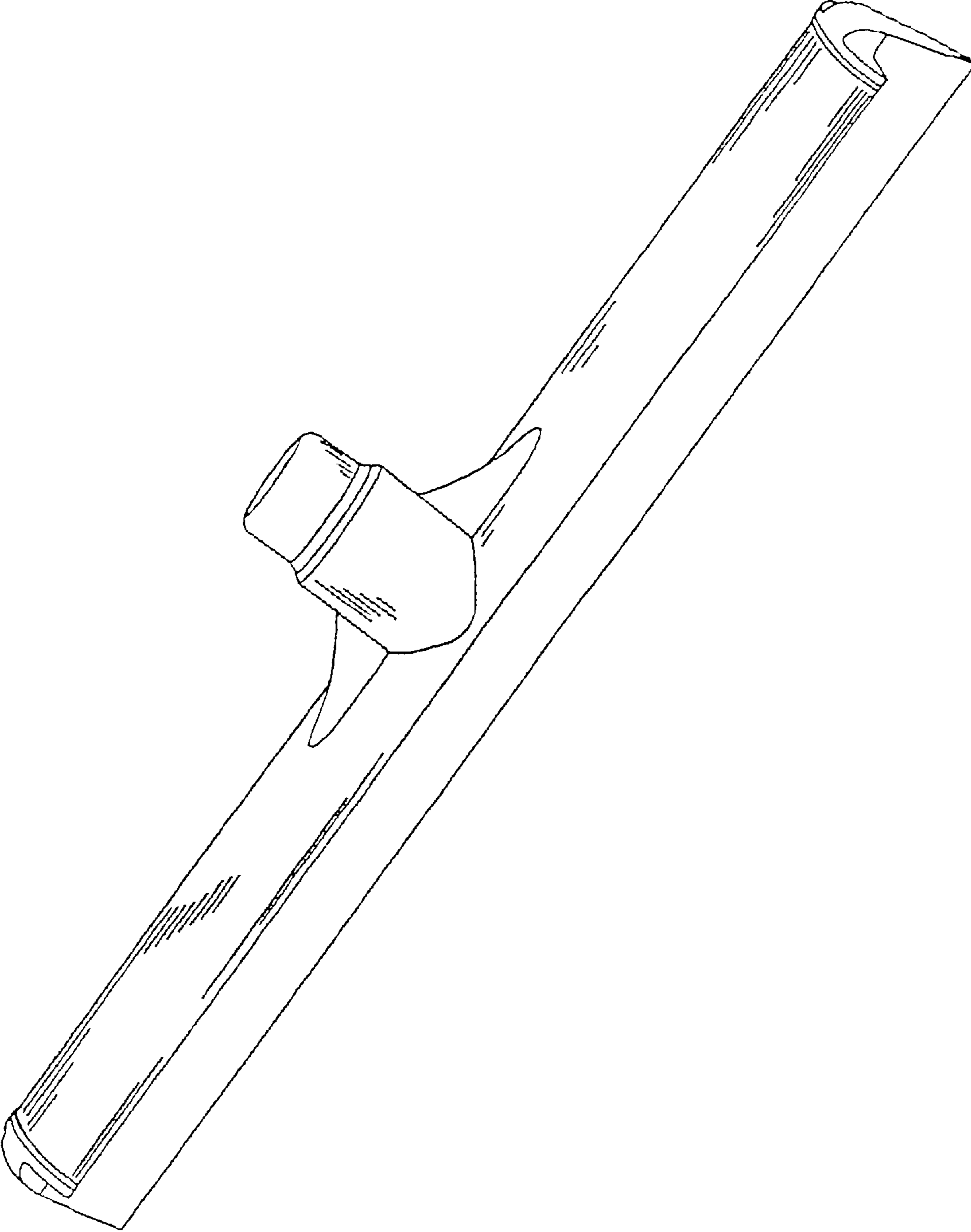


FIG. 1

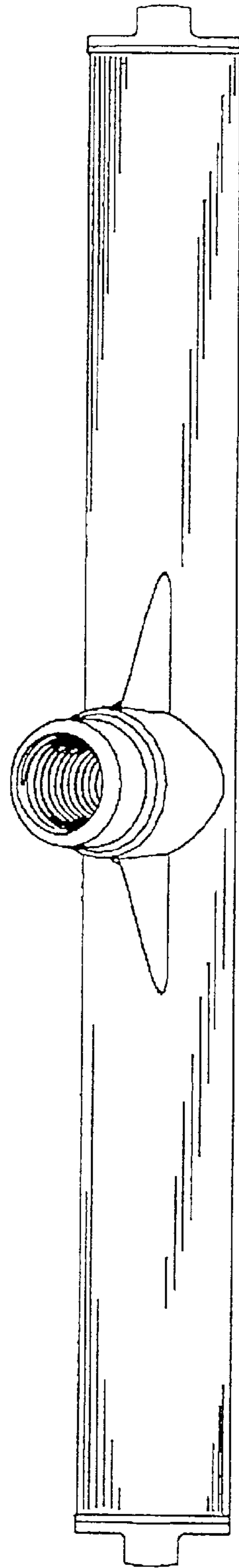


FIG. 2

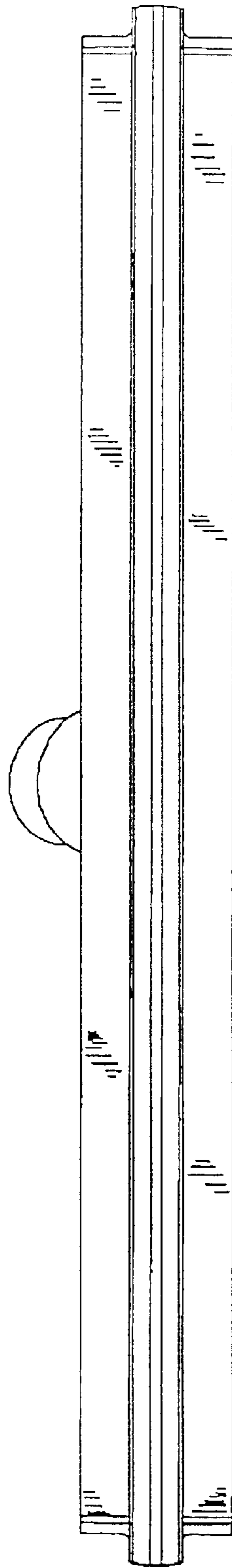


FIG. 3

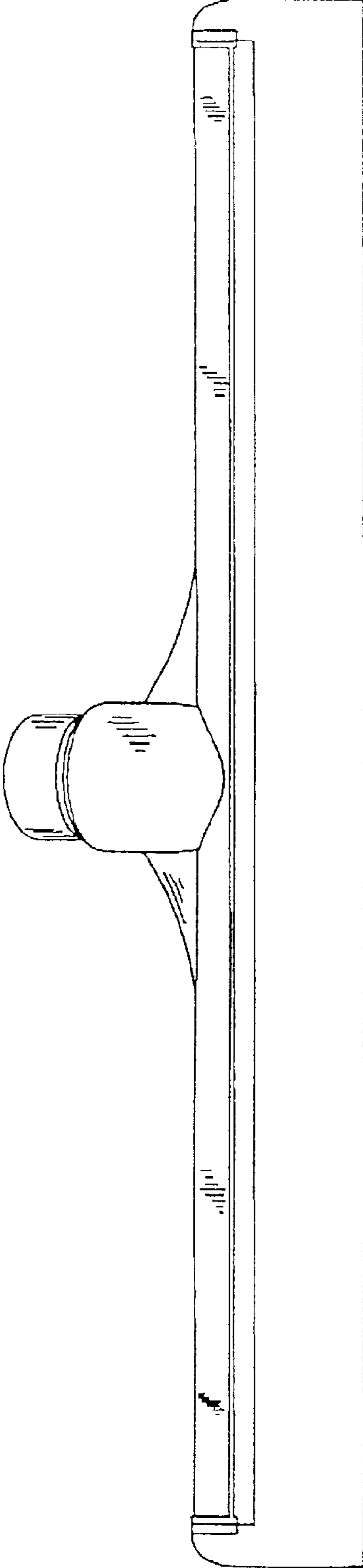


FIG. 4

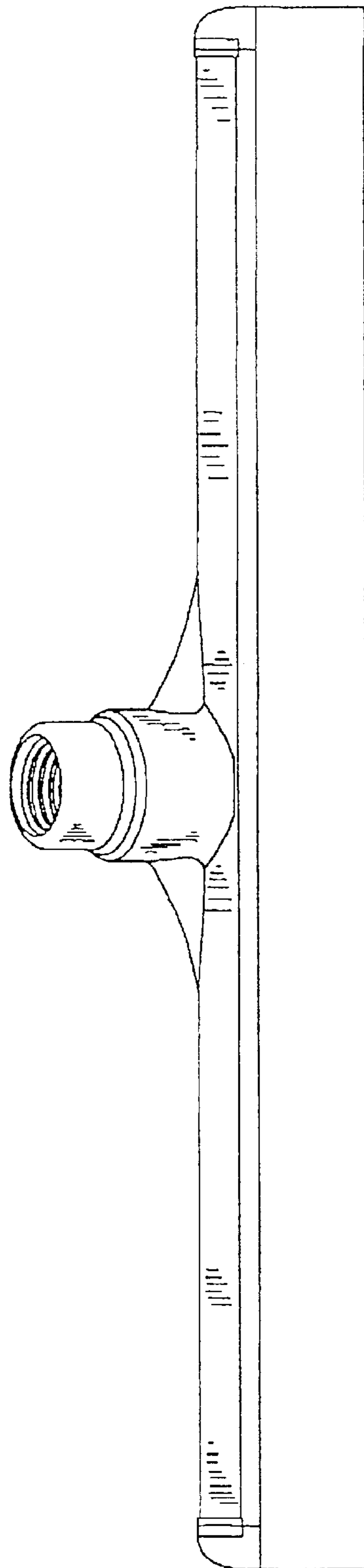


FIG. 5

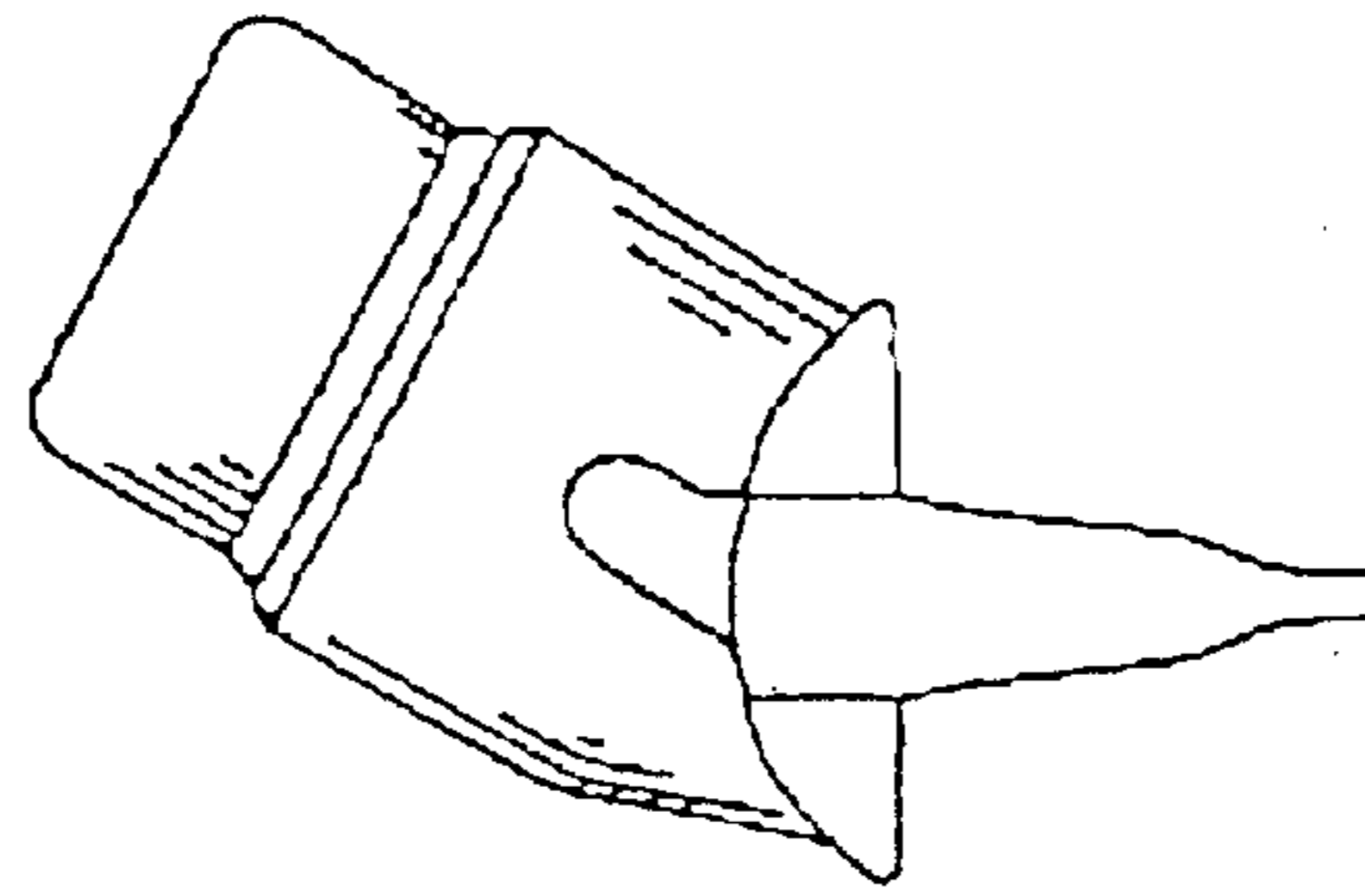


FIG. 6

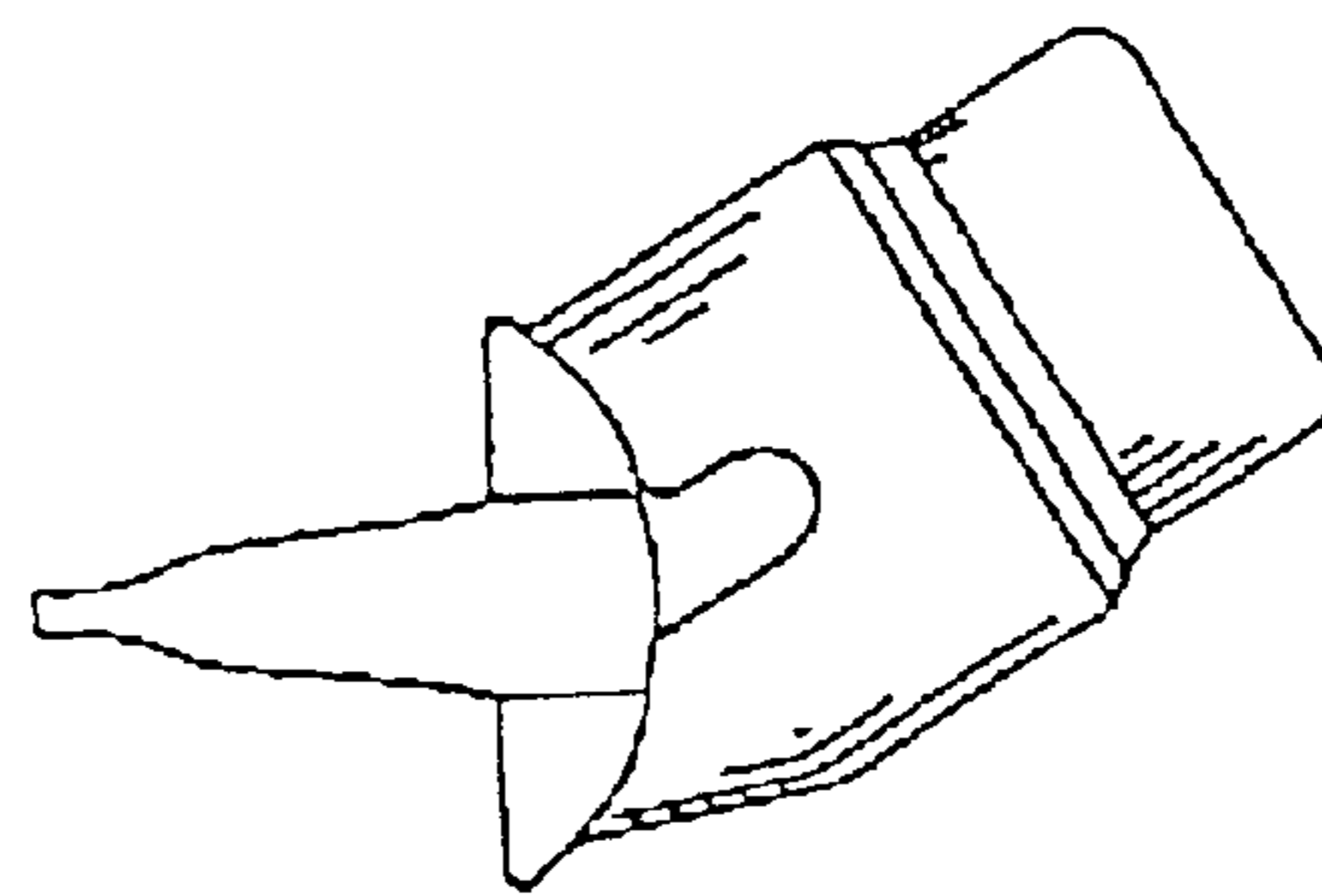


FIG. 7

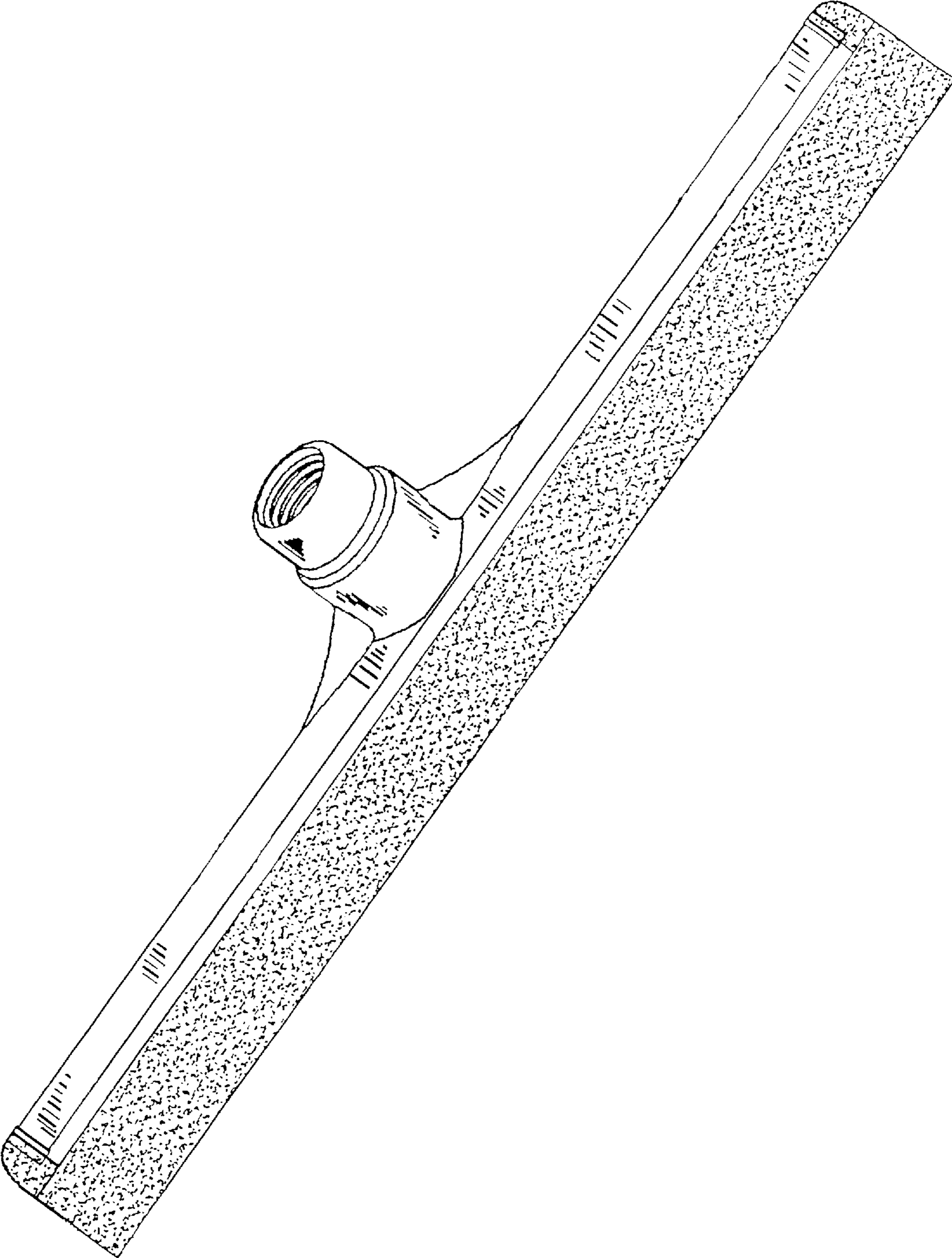


FIG. 8

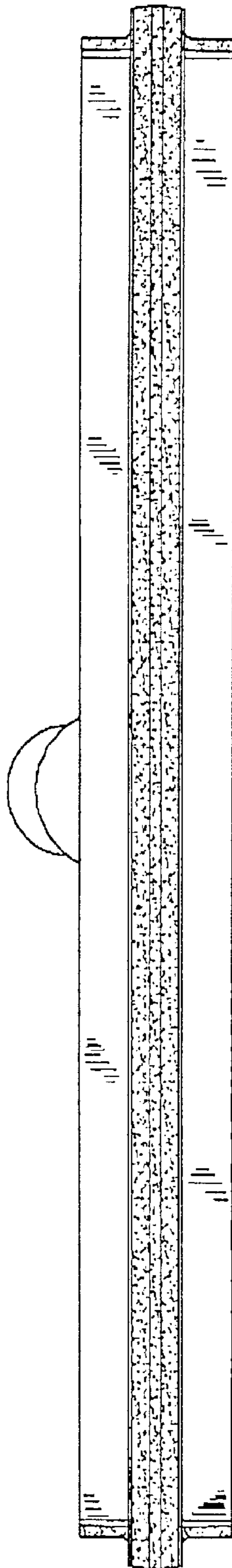


FIG. 9

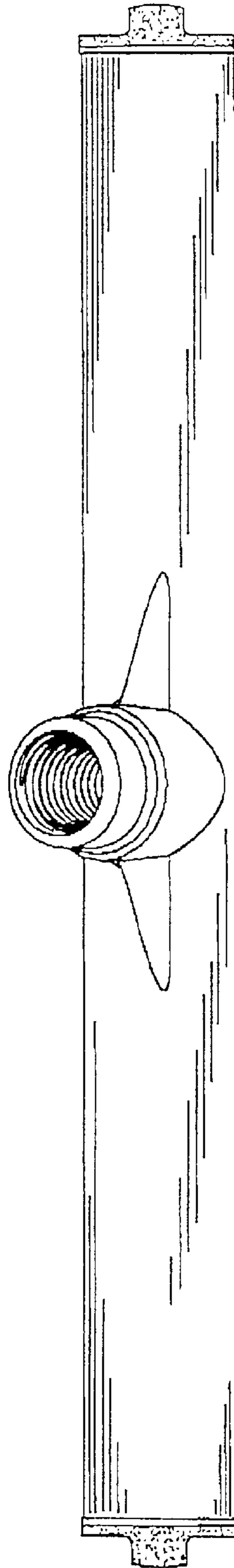


FIG. 10

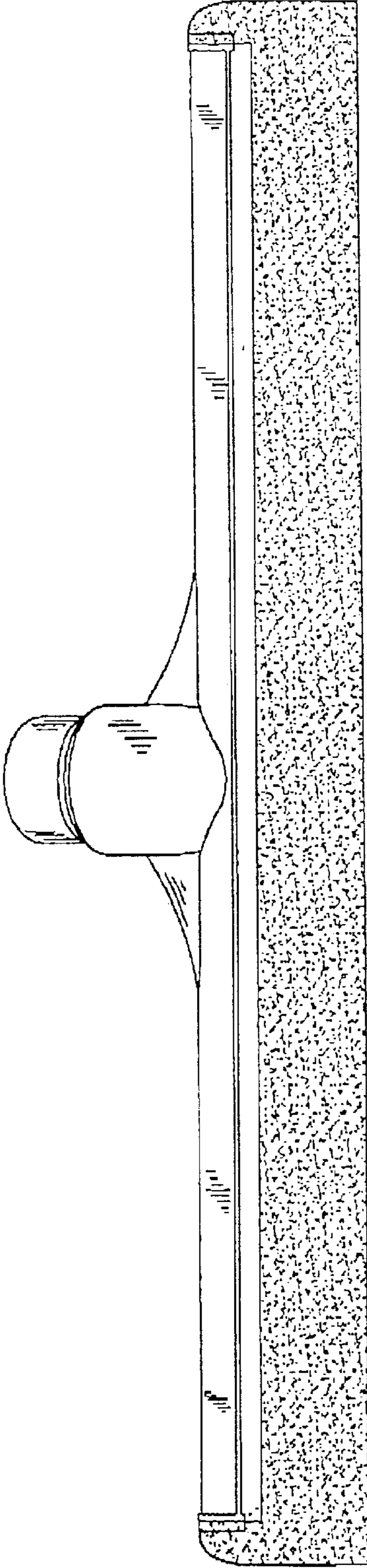


FIG. 11

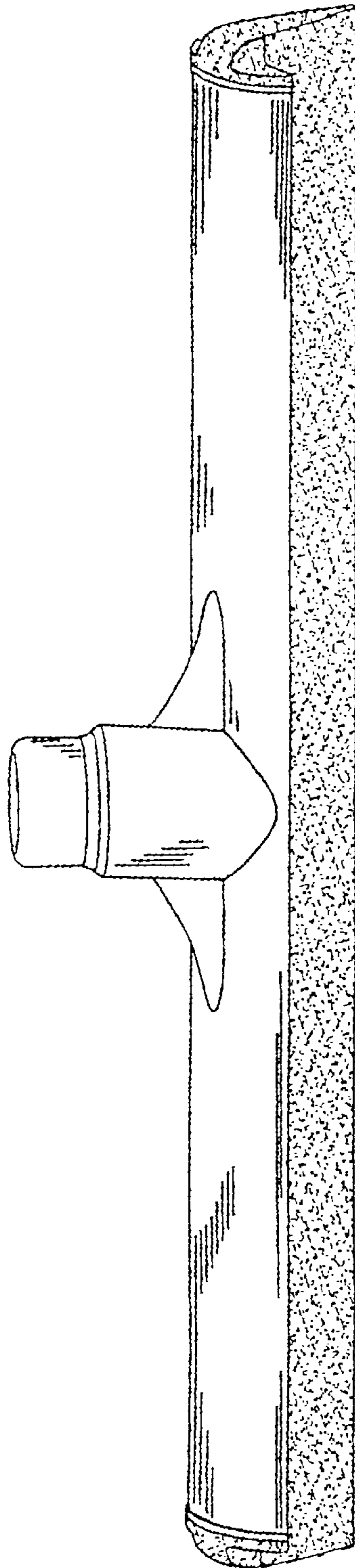


FIG. 12

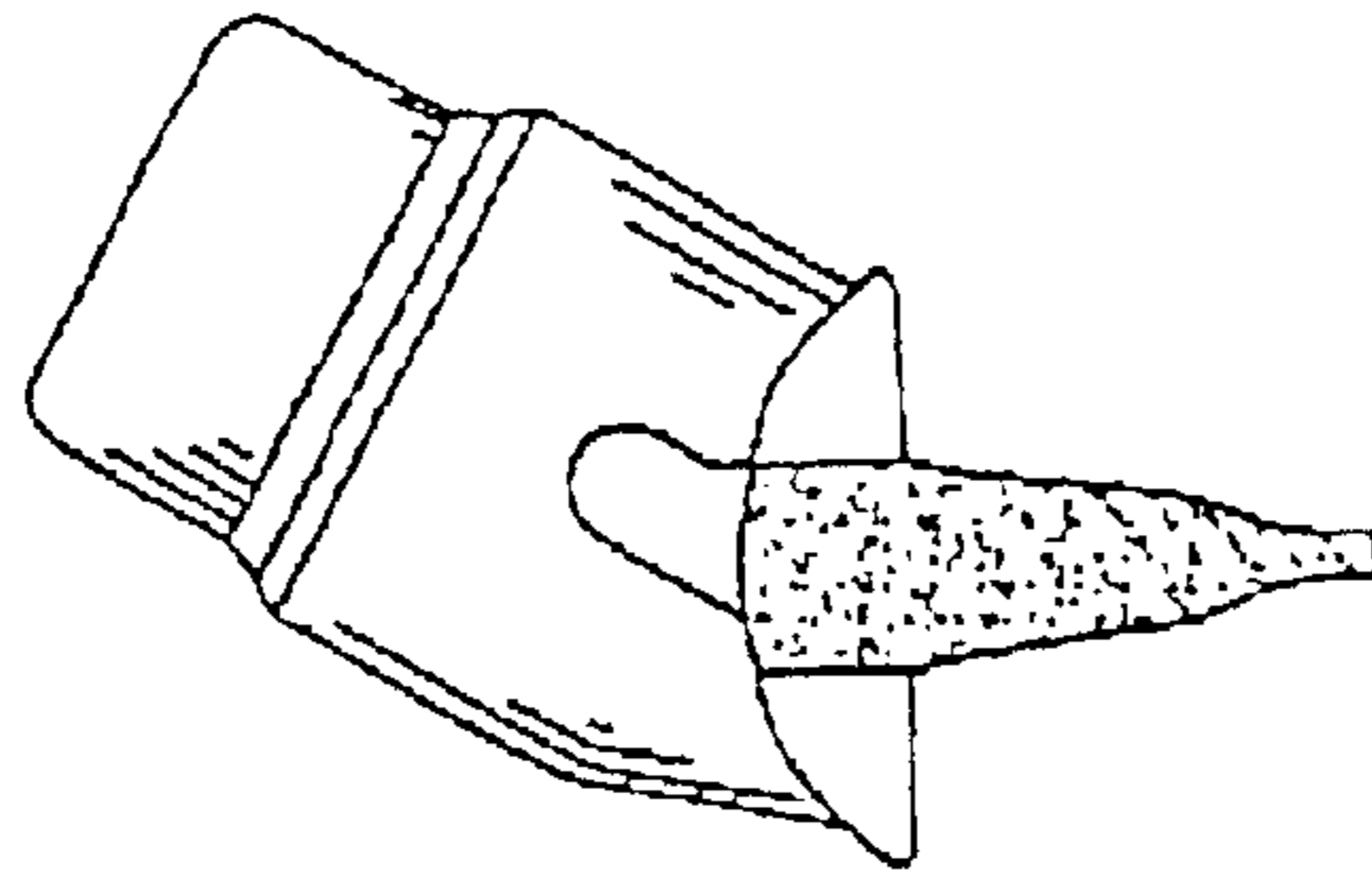


FIG. 13

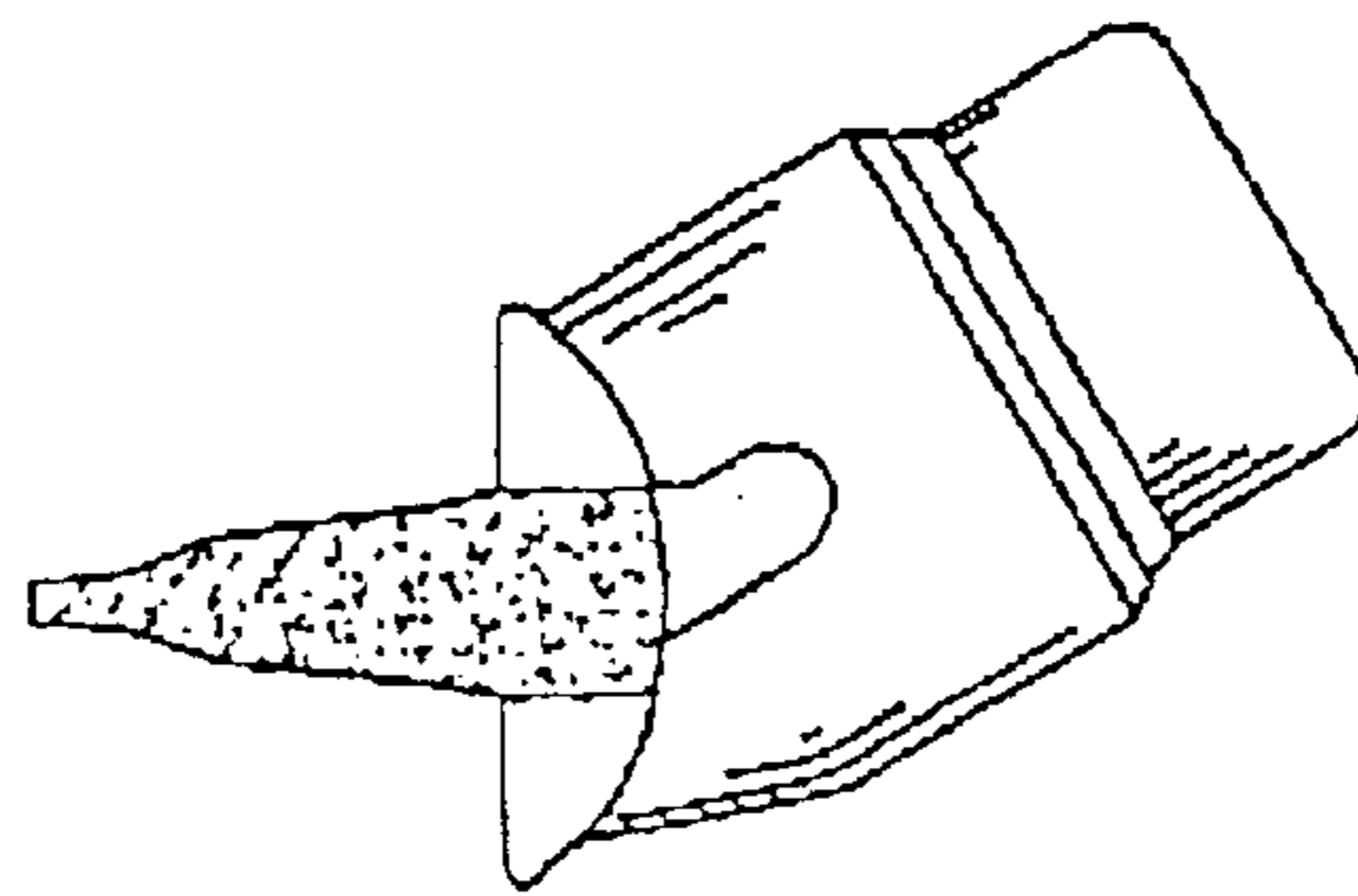


FIG. 14