



US00D517738S

(12) **United States Design Patent**
Lai

(10) **Patent No.:** **US D517,738 S**
(45) **Date of Patent:** **** Mar. 21, 2006**

(54) **COSMETICS BOX**

(75) Inventor: **Chin-Chun Lai, Hsinchu (TW)**

(73) Assignee: **Chao Ling Chemical Industry Co., Ltd., Hsinchu (TW)**

(**) Term: **14 Years**

(21) Appl. No.: **29/230,923**

(22) Filed: **May 31, 2005**

(51) **LOC (8) Cl.** **28-03**

(52) **U.S. Cl.** **D28/82**

(58) **Field of Classification Search** D28/73,
D28/76, 77, 78, 81, 82; 132/293-307; 206/581,
206/823; 220/4.22, 4.23, 4.27
See application file for complete search history.

(56) **References Cited**

U.S. PATENT DOCUMENTS

1,527,188 A * 2/1925 Hines 132/294
D324,997 S * 3/1992 Jones D9/529
D439,376 S * 3/2001 Lerolle D28/82

D444,596 S * 7/2001 Lai D28/82
D475,485 S * 6/2003 Sheng D28/78
D478,191 S * 8/2003 Lai D28/82
D479,366 S * 9/2003 Goswell D28/82

* cited by examiner

Primary Examiner—Jennifer Rivard

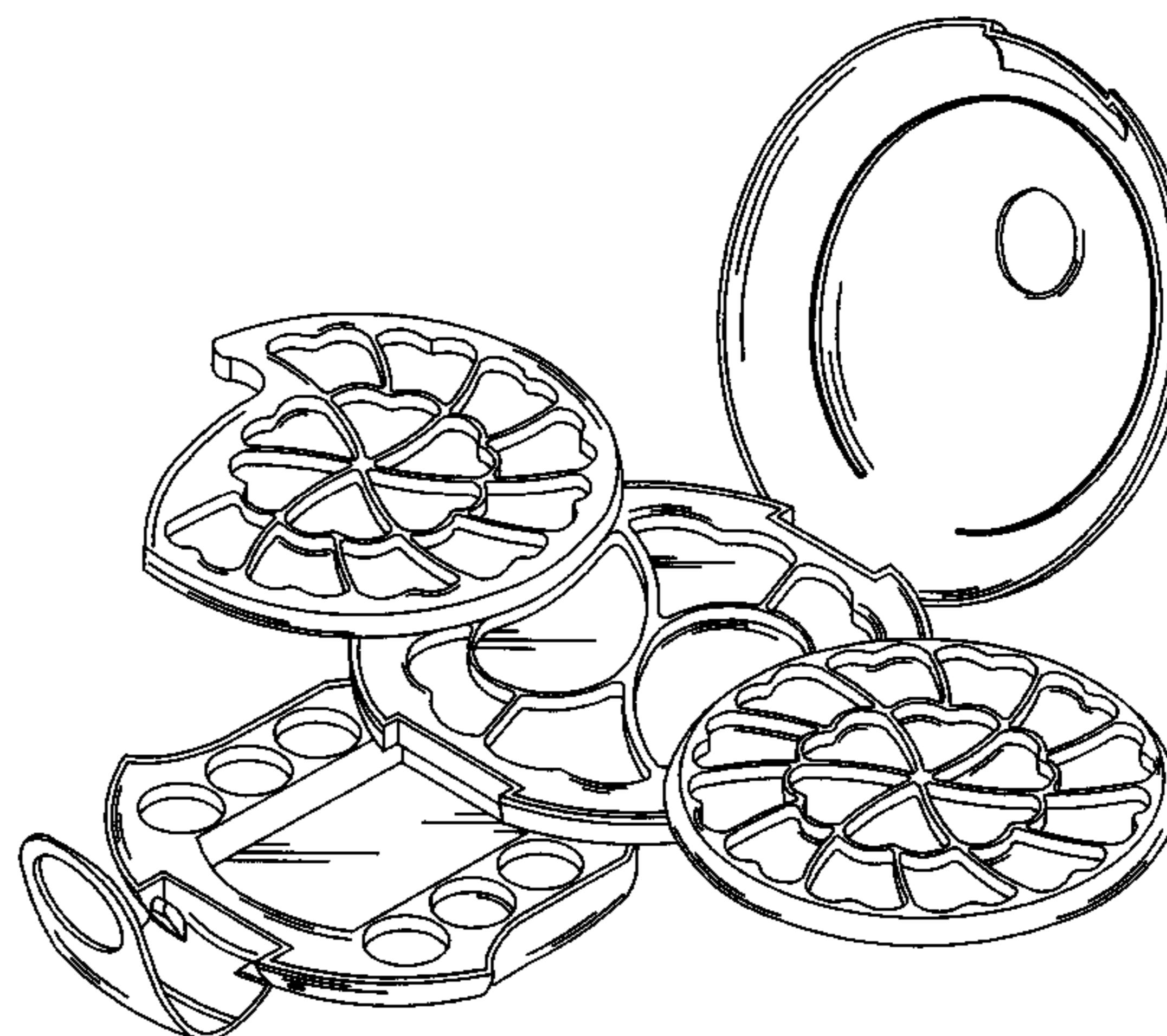
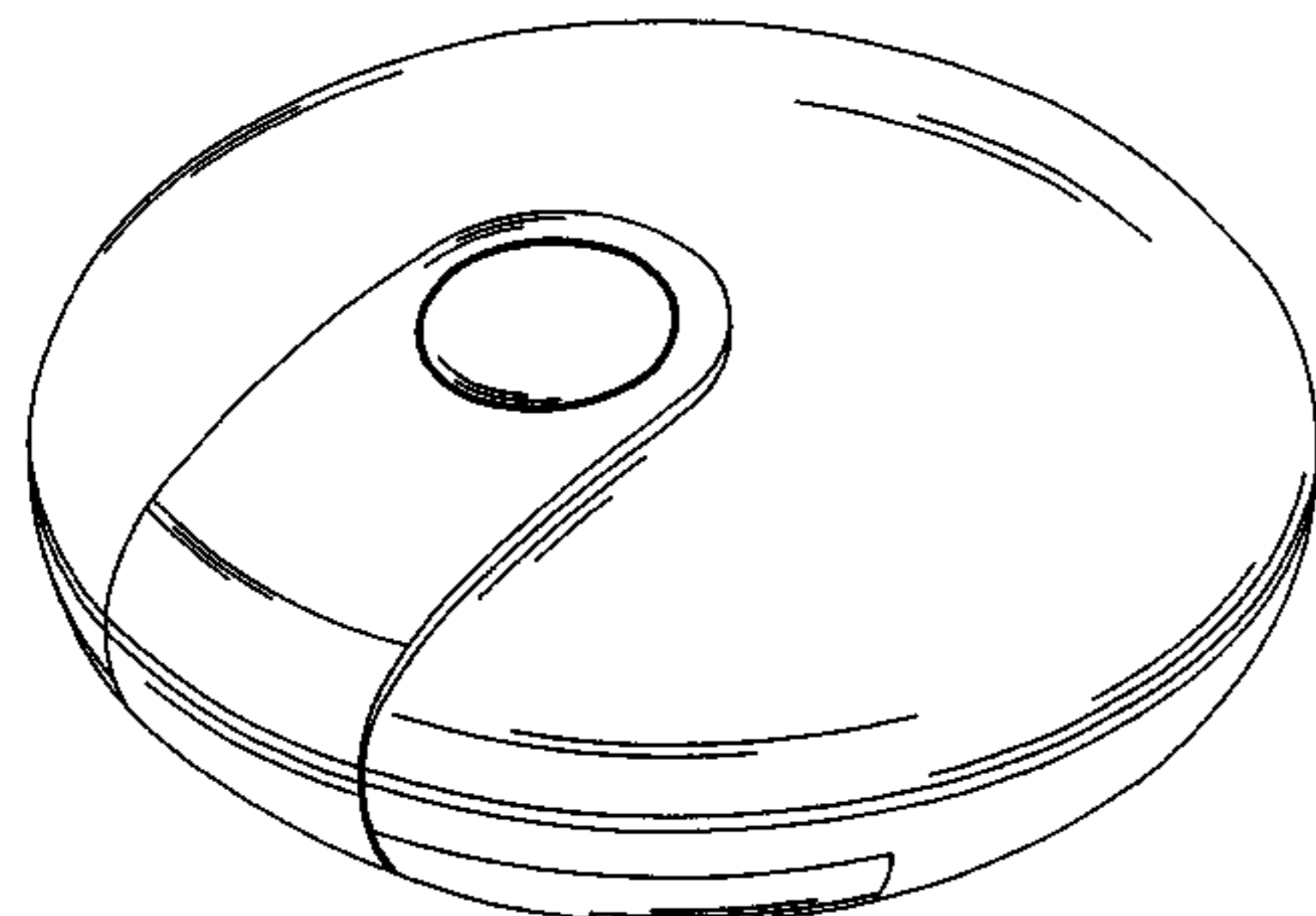
(57) **CLAIM**

The ornamental design for a cosmetics box, as shown and described.

DESCRIPTION

FIG. 1 is a perspective view thereof;
FIG. 2 is a front view thereof;
FIG. 3 is a back view thereof;
FIG. 4 is a left side view thereof;
FIG. 5 is a right side view thereof;
FIG. 6 is a top view thereof;
FIG. 7 is a bottom view thereof; and,
FIG. 8 is a perspective view thereof, wherein the cosmetics box is in an opened position with internal container disks in an extended position for illustrative purpose.

1 Claim, 8 Drawing Sheets



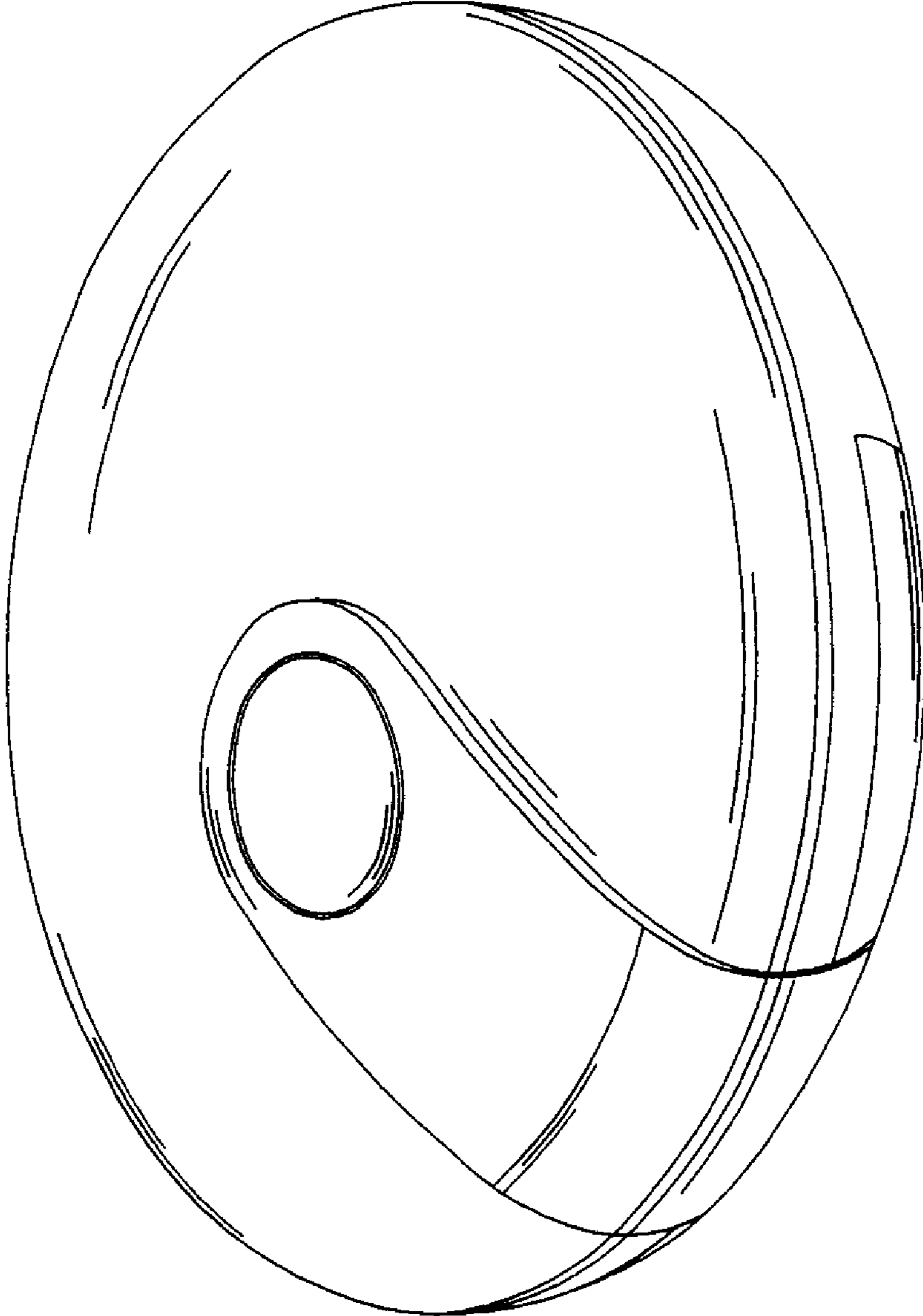


FIG. 1

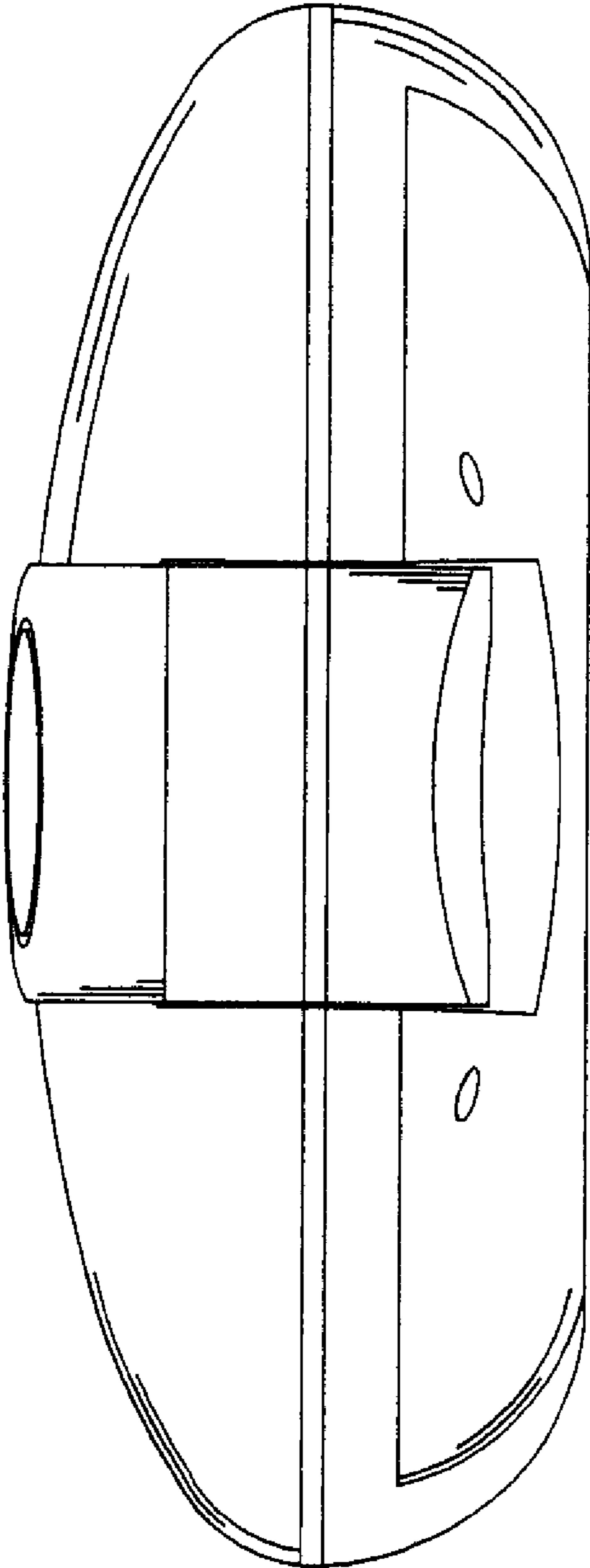


FIG. 2

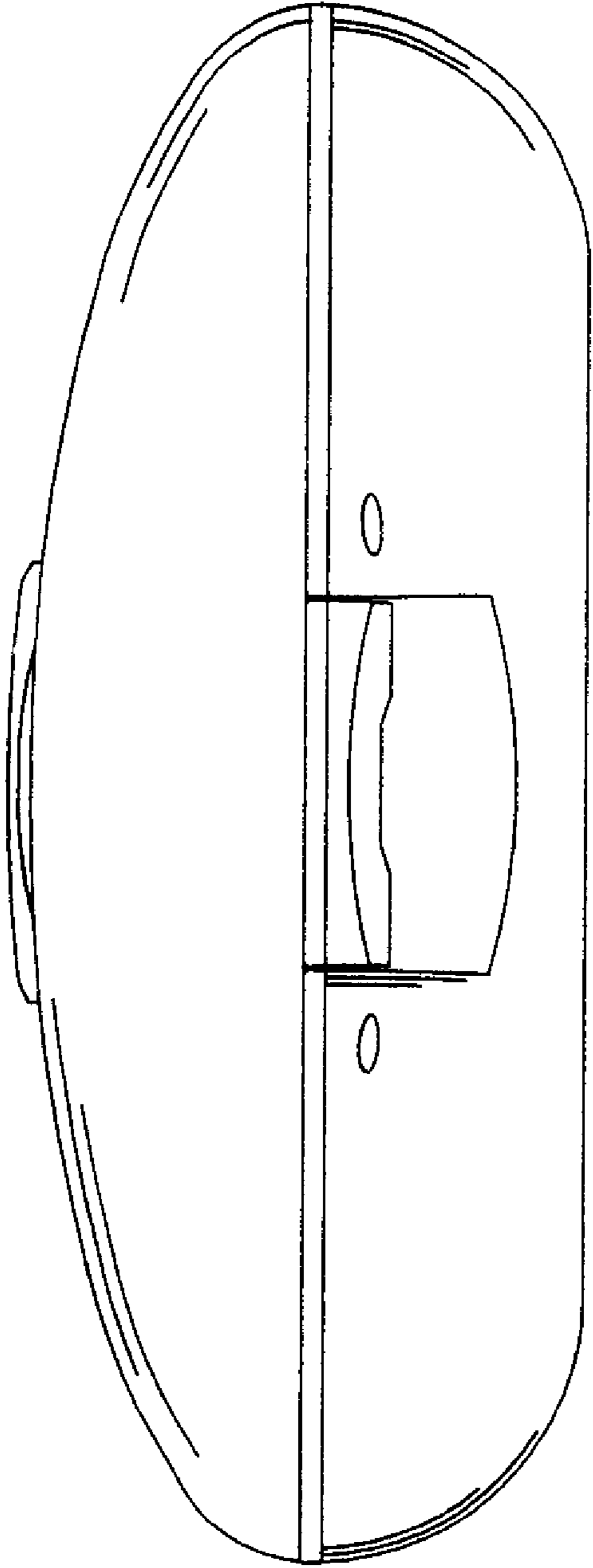


FIG. 3

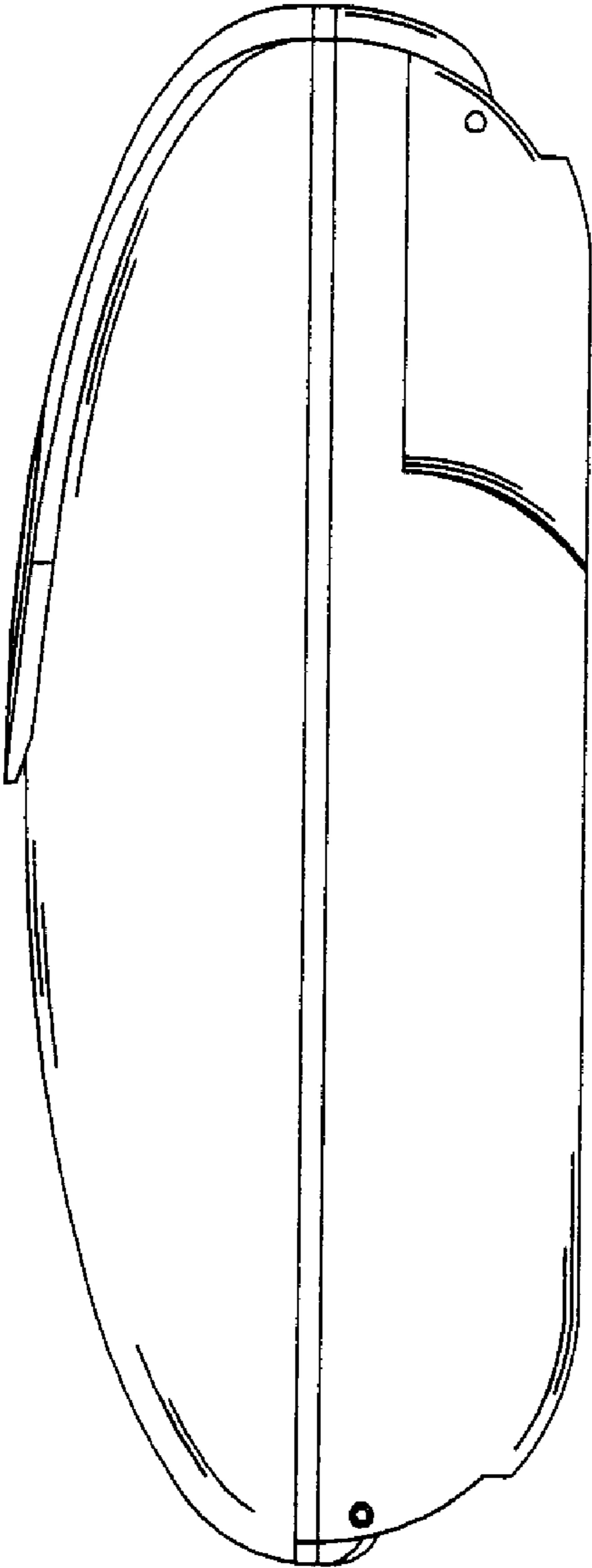


FIG. 4

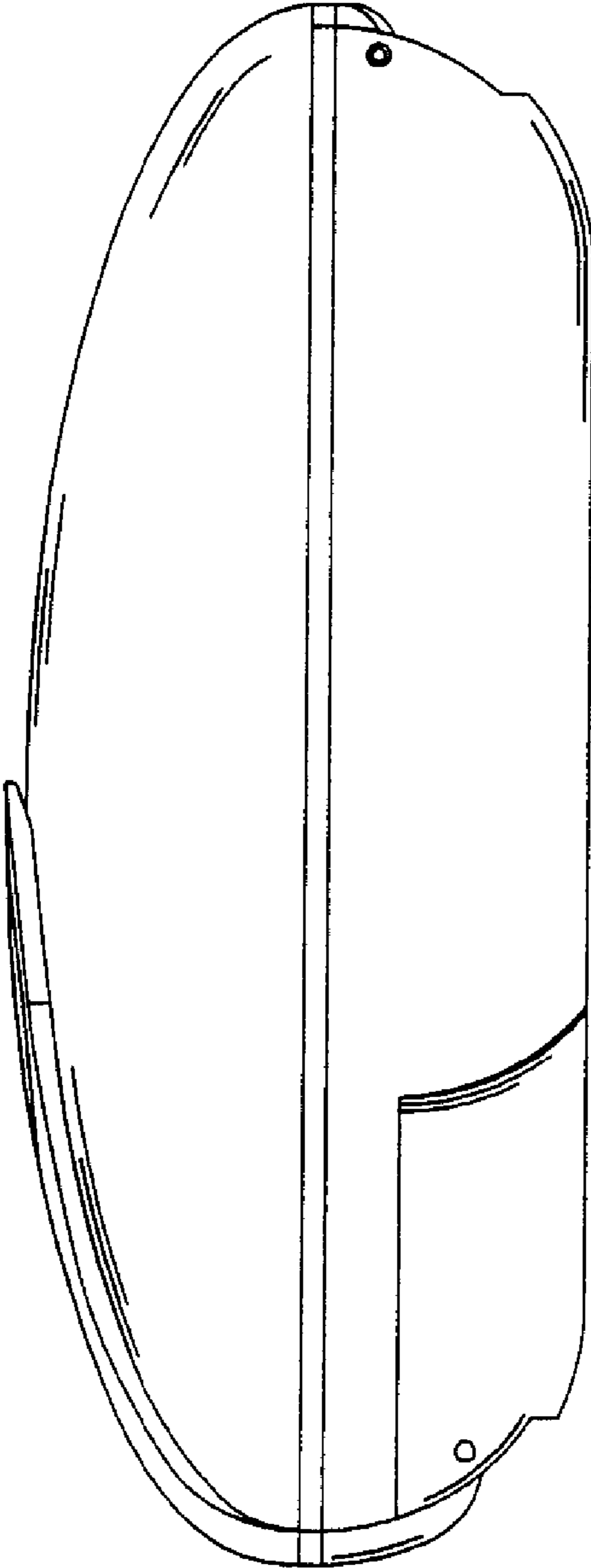


FIG. 5

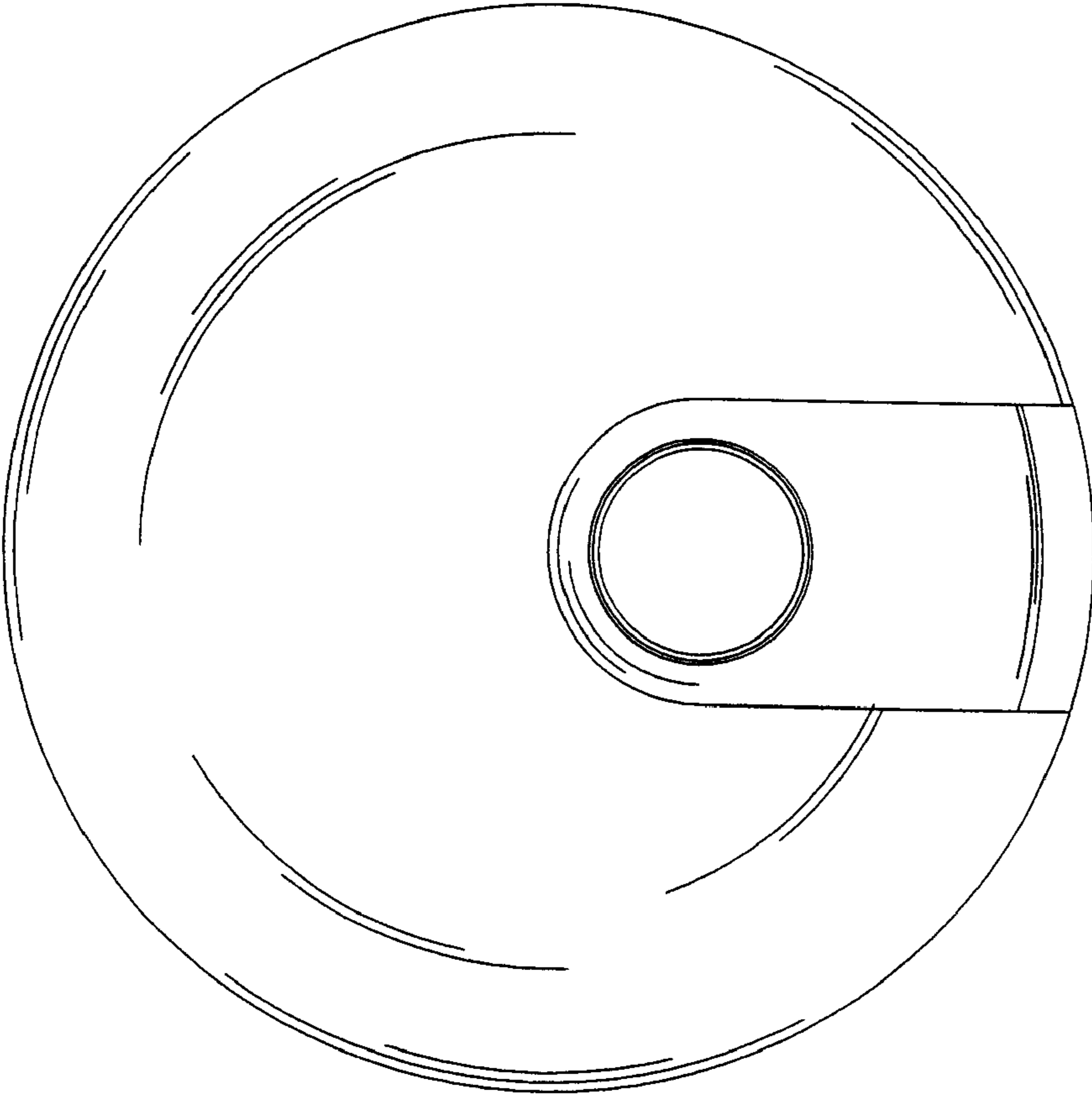


FIG. 6

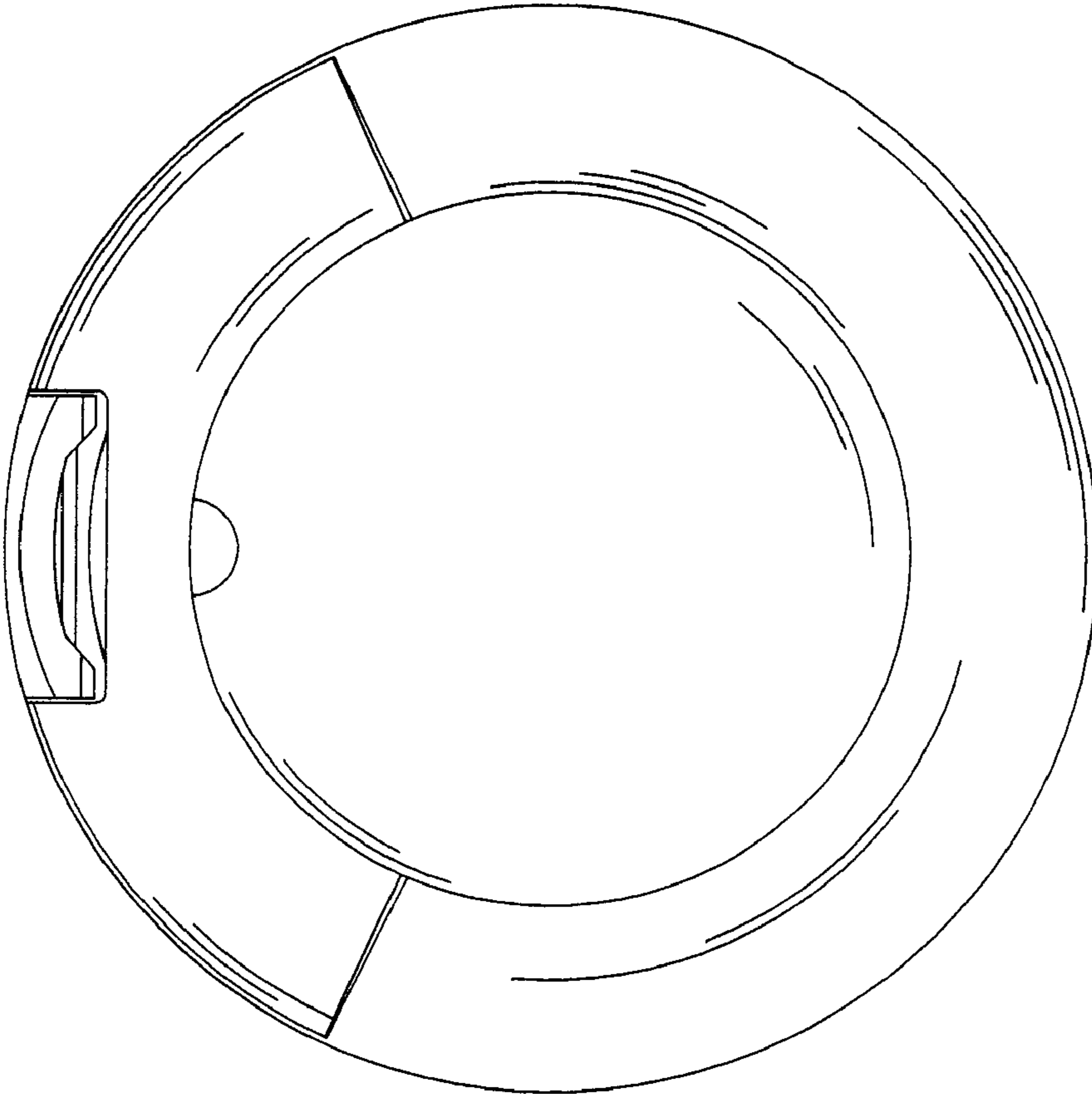


FIG. 7

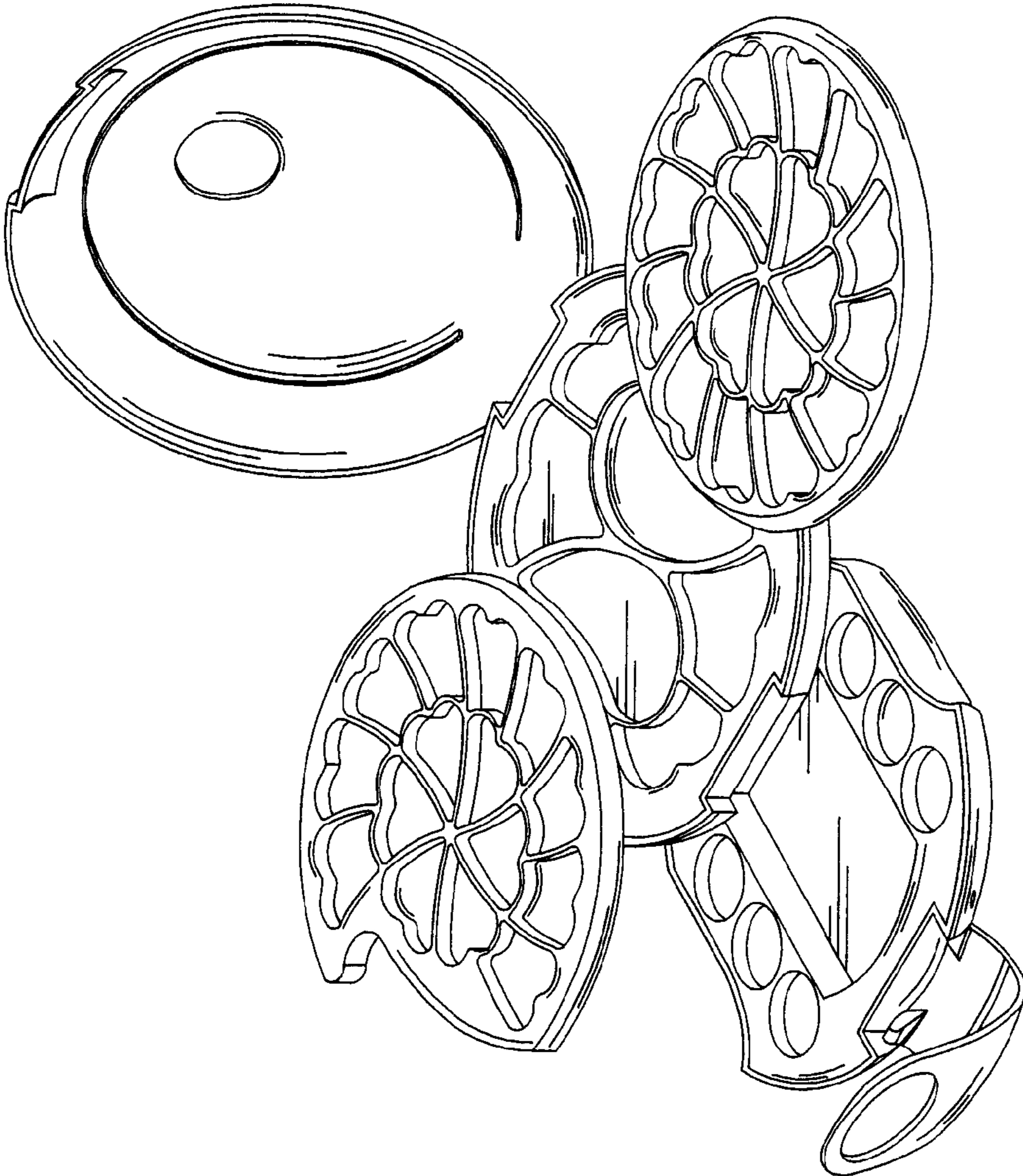


FIG. 8