



US00D517737S

(12) **United States Design Patent**  
**Lai**

(10) **Patent No.:** **US D517,737 S**  
(45) **Date of Patent:** **\*\* Mar. 21, 2006**

(54) **COSMETICS BOX**

D350,625 S \* 9/1994 Shen ..... D28/82  
D458,413 S \* 6/2002 Boilen ..... D28/76

(75) Inventor: **Chin-Chun Lai**, Hsinchu (TW)

\* cited by examiner

(73) Assignee: **Chao Ling Chemical Industry Co., Ltd.**, Hsinchu (TW)

*Primary Examiner*—Jennifer Rivard

(\*\*) Term: **14 Years**

(57) **CLAIM**

(21) Appl. No.: **29/230,922**

The ornamental design for a cosmetics box, as shown and described.

(22) Filed: **May 31, 2005**

**DESCRIPTION**

(51) **LOC (8) Cl.** ..... **28-03**

(52) **U.S. Cl.** ..... **D28/82**

(58) **Field of Classification Search** ..... D28/73,  
D28/76, 77, 78, 81, 82, 83; 132/293–307;  
220/4.22, 4.23, 4.27; 206/581, 823  
See application file for complete search history.

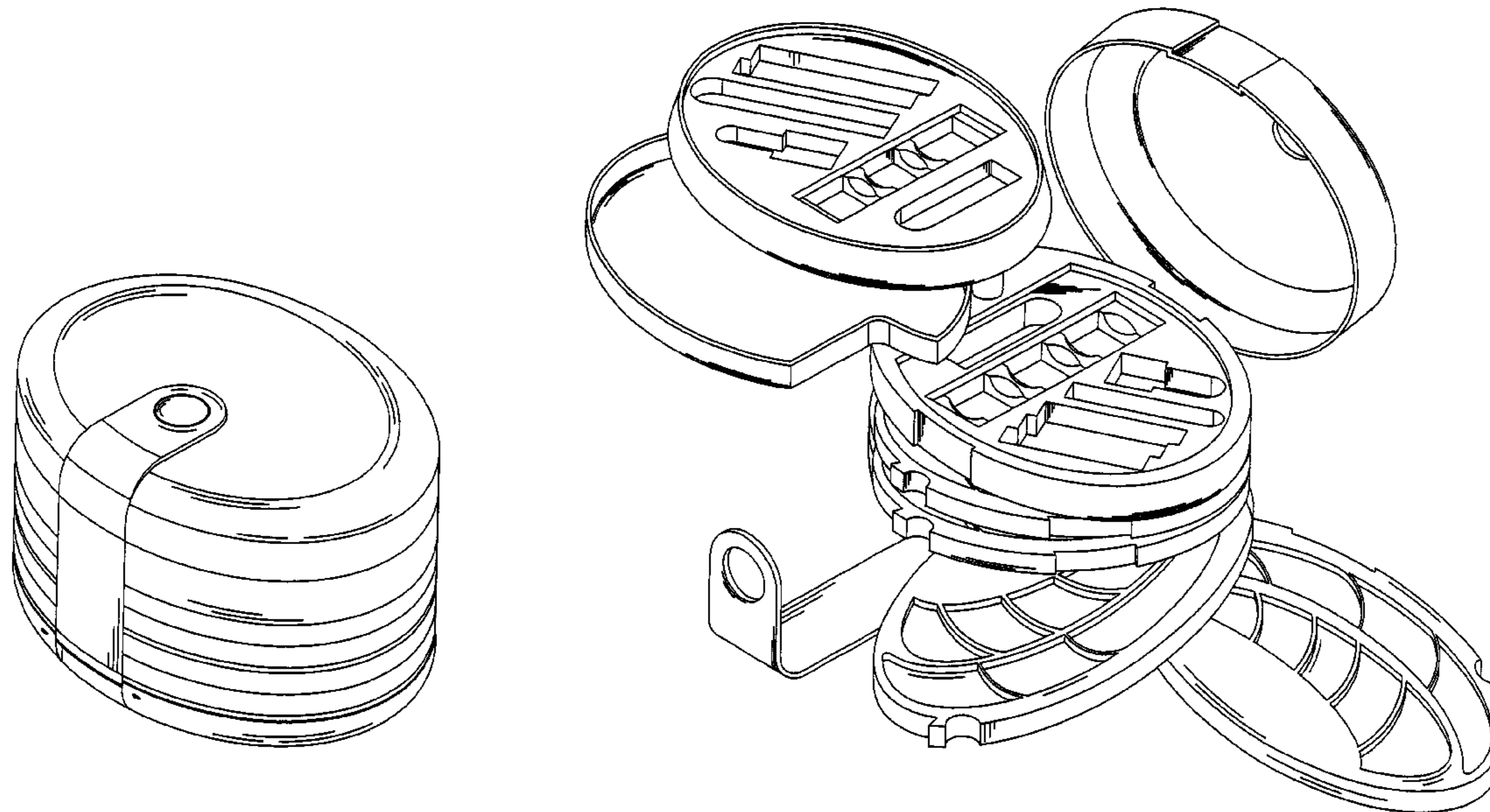
FIG. 1 is a perspective view thereof;  
FIG. 2 is a front view thereof;  
FIG. 3 is a back view thereof;  
FIG. 4 is a left side view thereof;  
FIG. 5 is a right side view thereof;  
FIG. 6 is a top view thereof;  
FIG. 7 is a bottom view thereof; and,  
FIG. 8 is a perspective view thereof, wherein the cosmetics box is in an opened position with internal container disks in an extended position for illustrative purpose.

(56) **References Cited**

**U.S. PATENT DOCUMENTS**

3,441,033 A \* 4/1969 Flax ..... 132/295  
D339,882 S \* 9/1993 Chevassus ..... D28/82

**1 Claim, 8 Drawing Sheets**



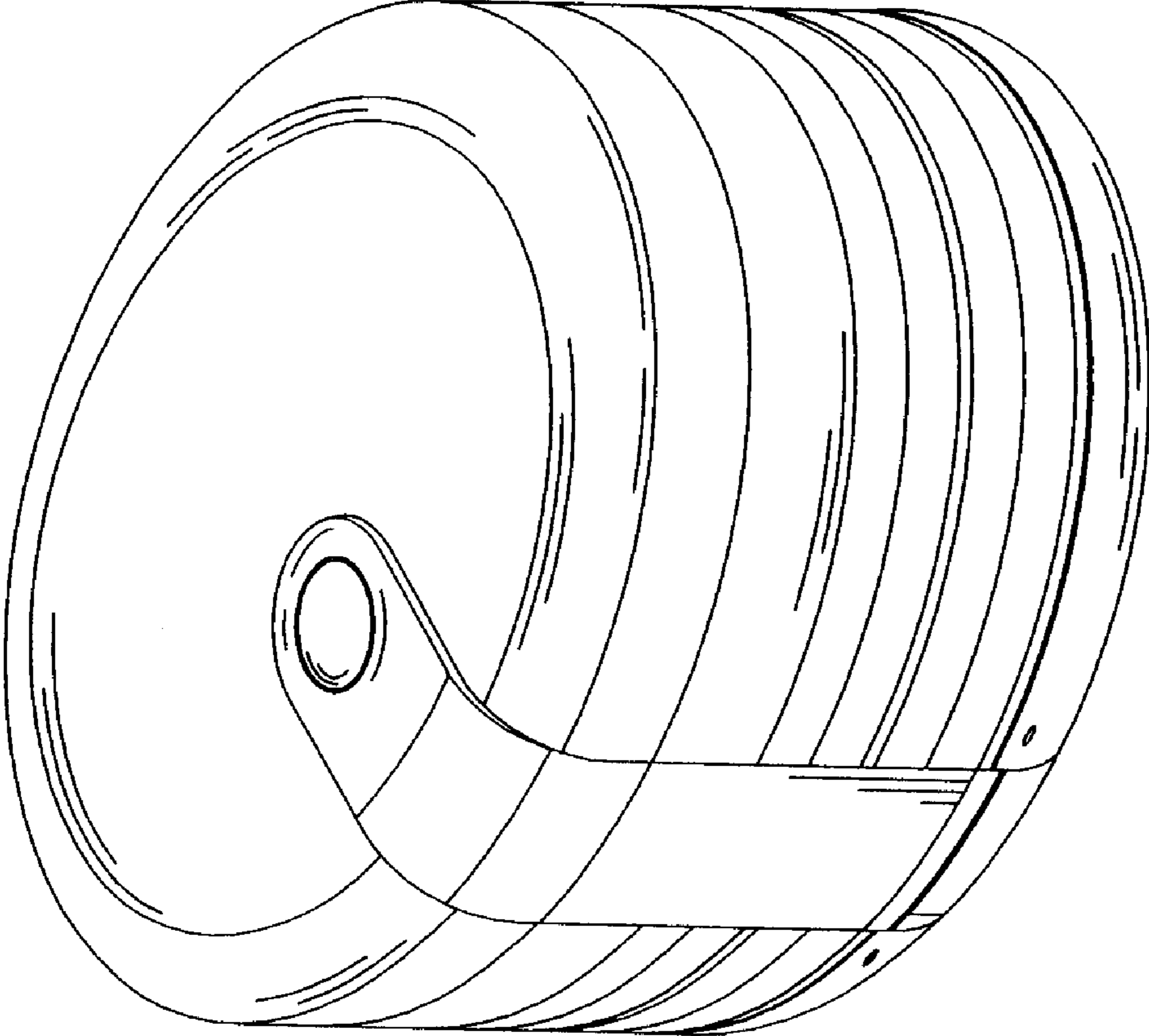


FIG. 1

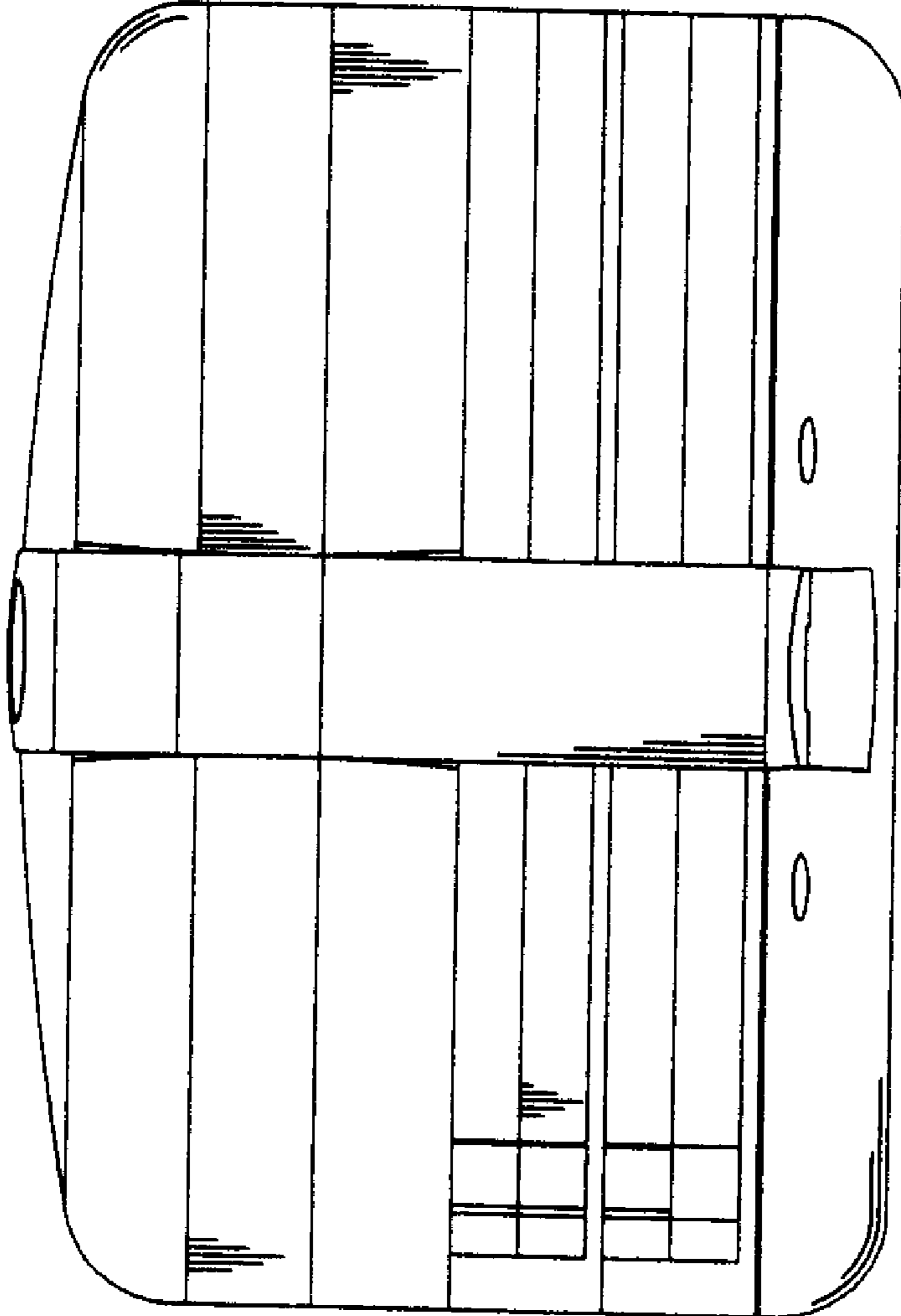


FIG. 2

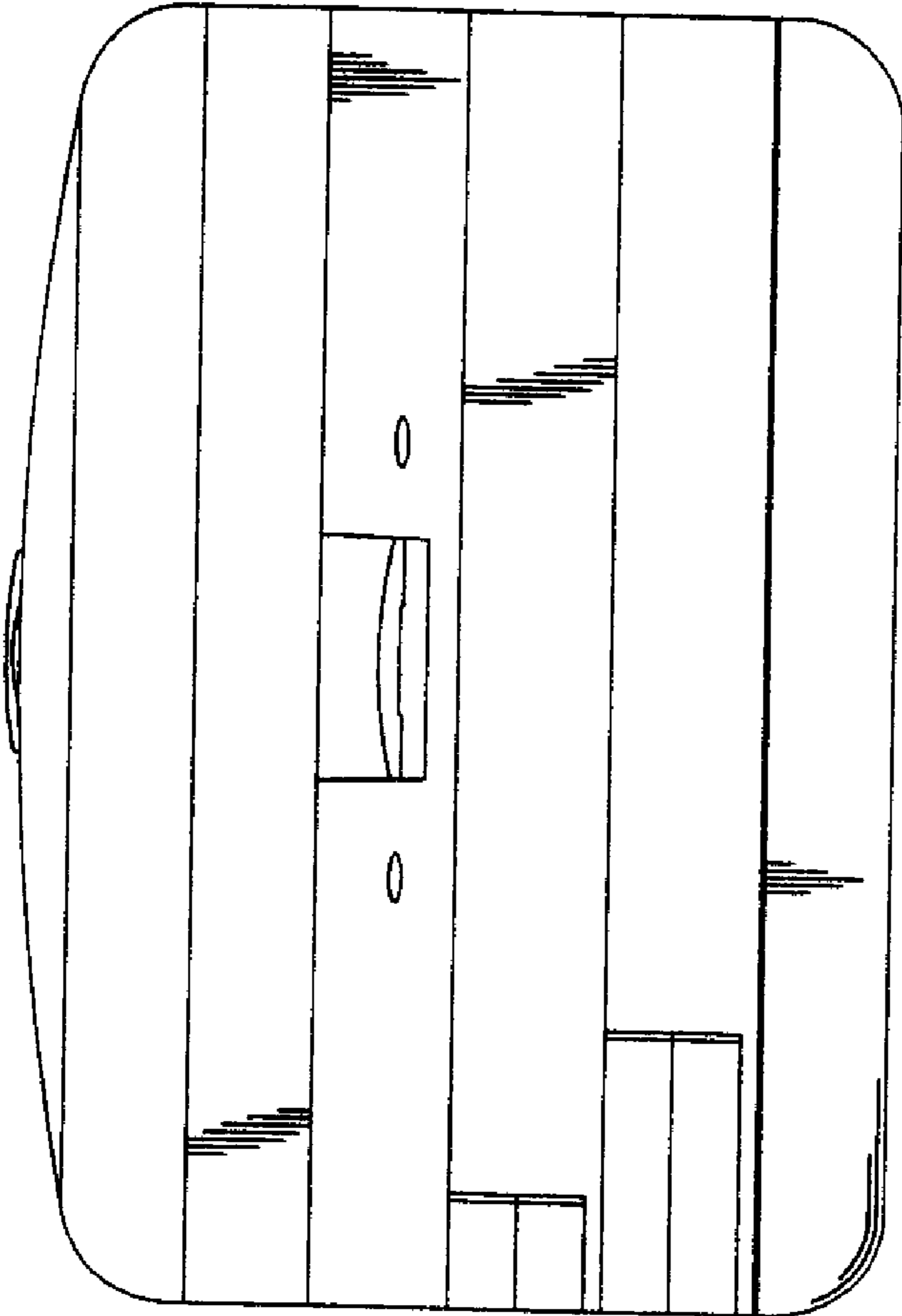


FIG. 3

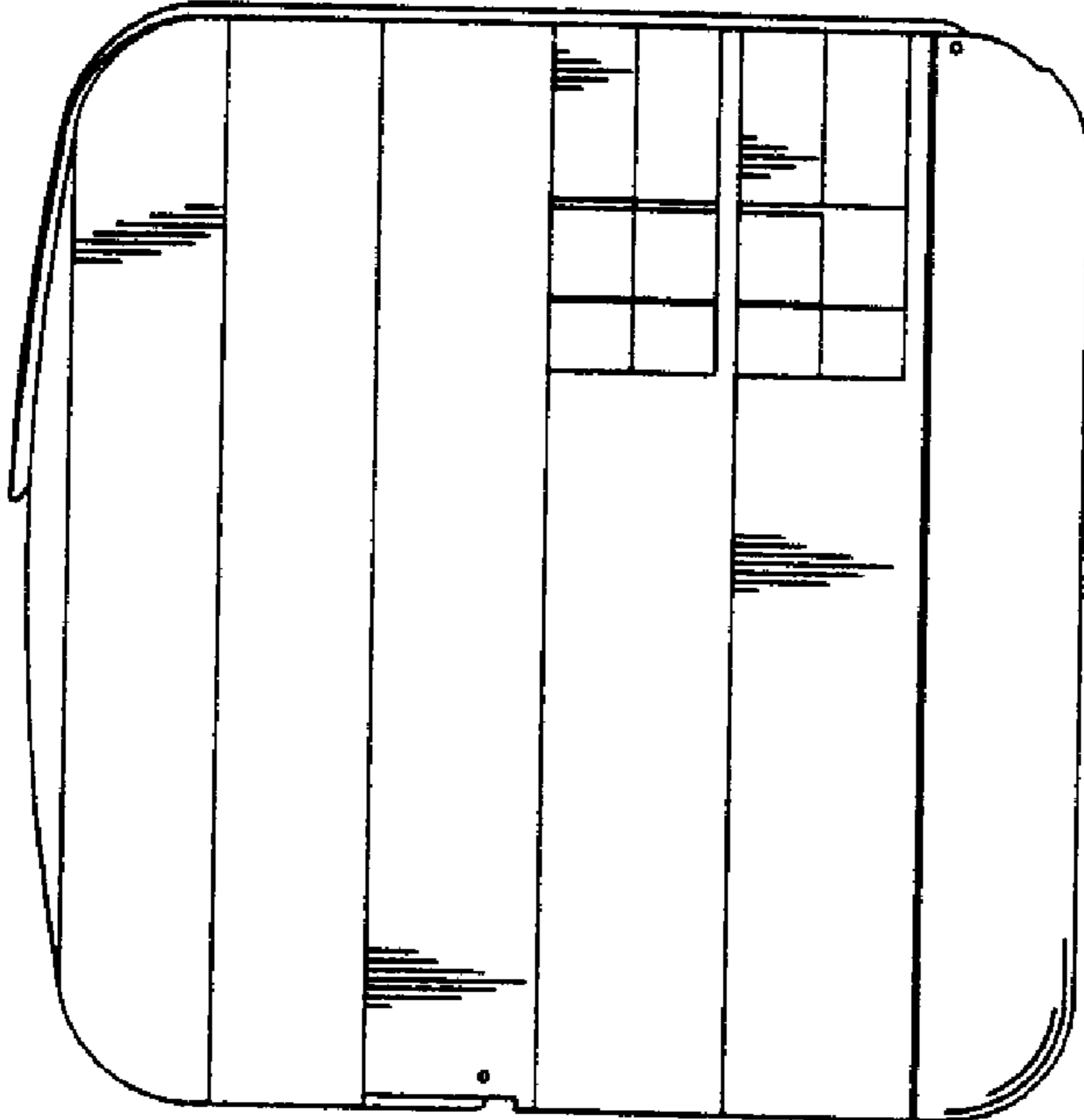


FIG. 4

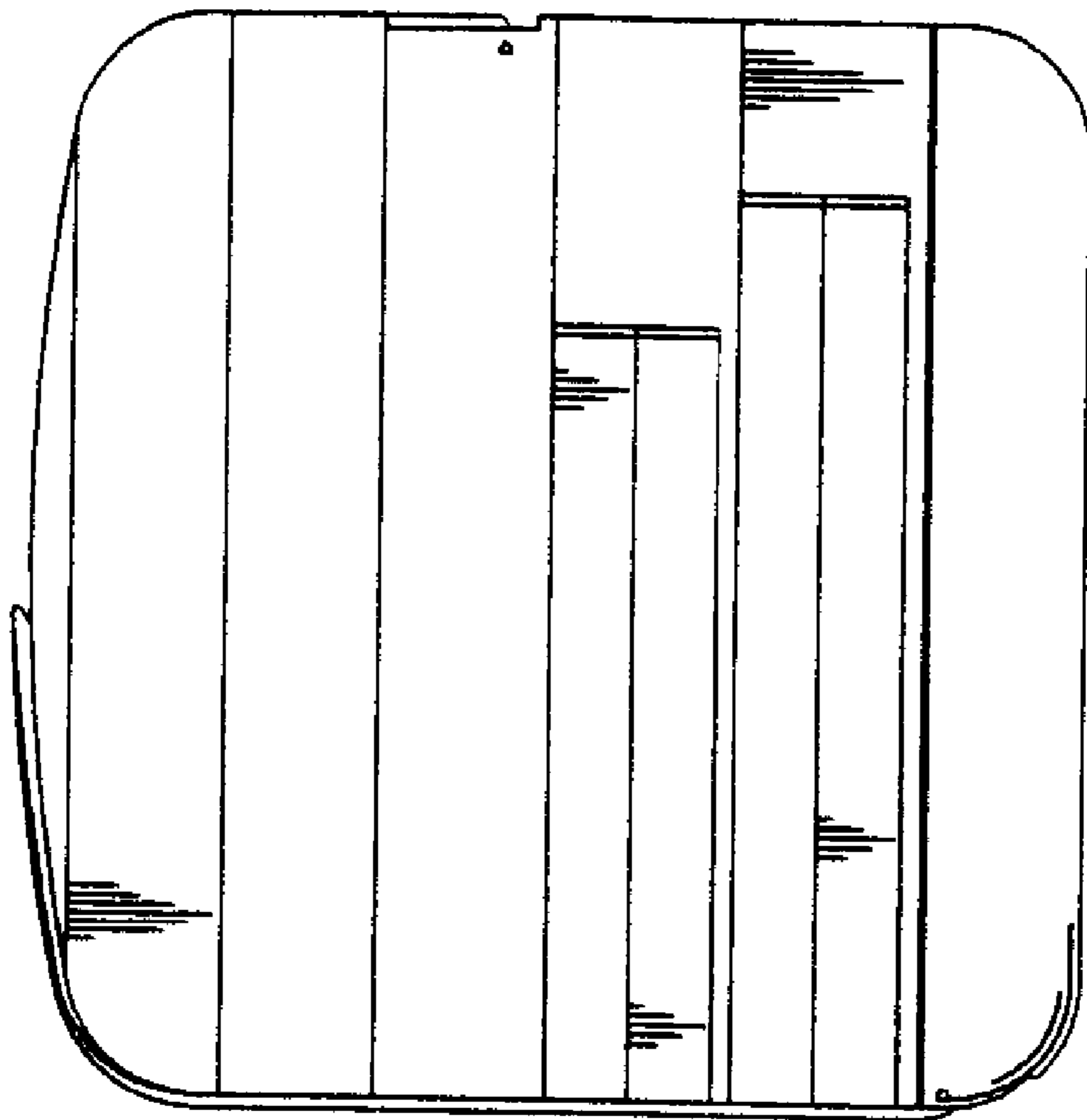


FIG. 5

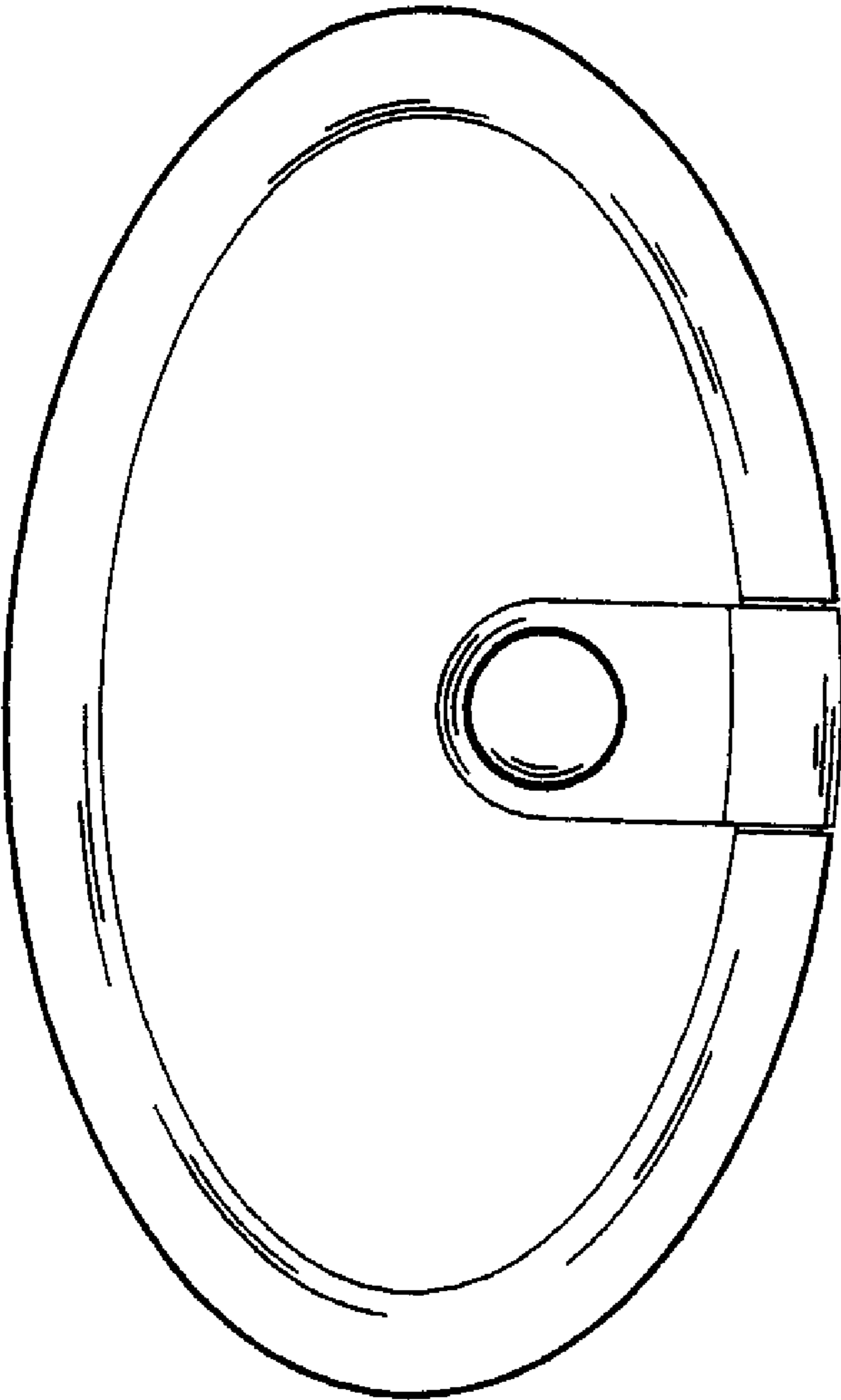


FIG. 6

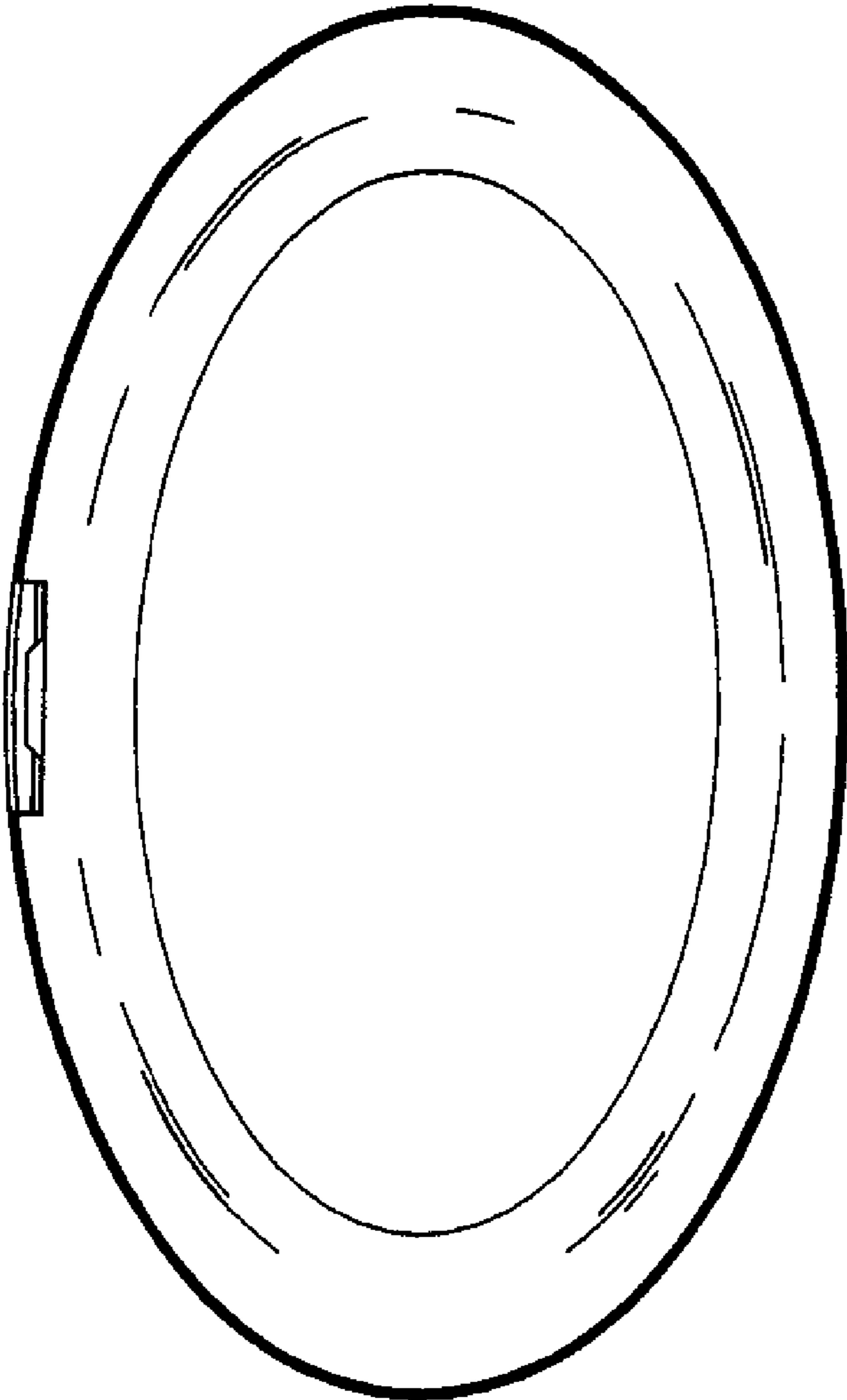


FIG. 7



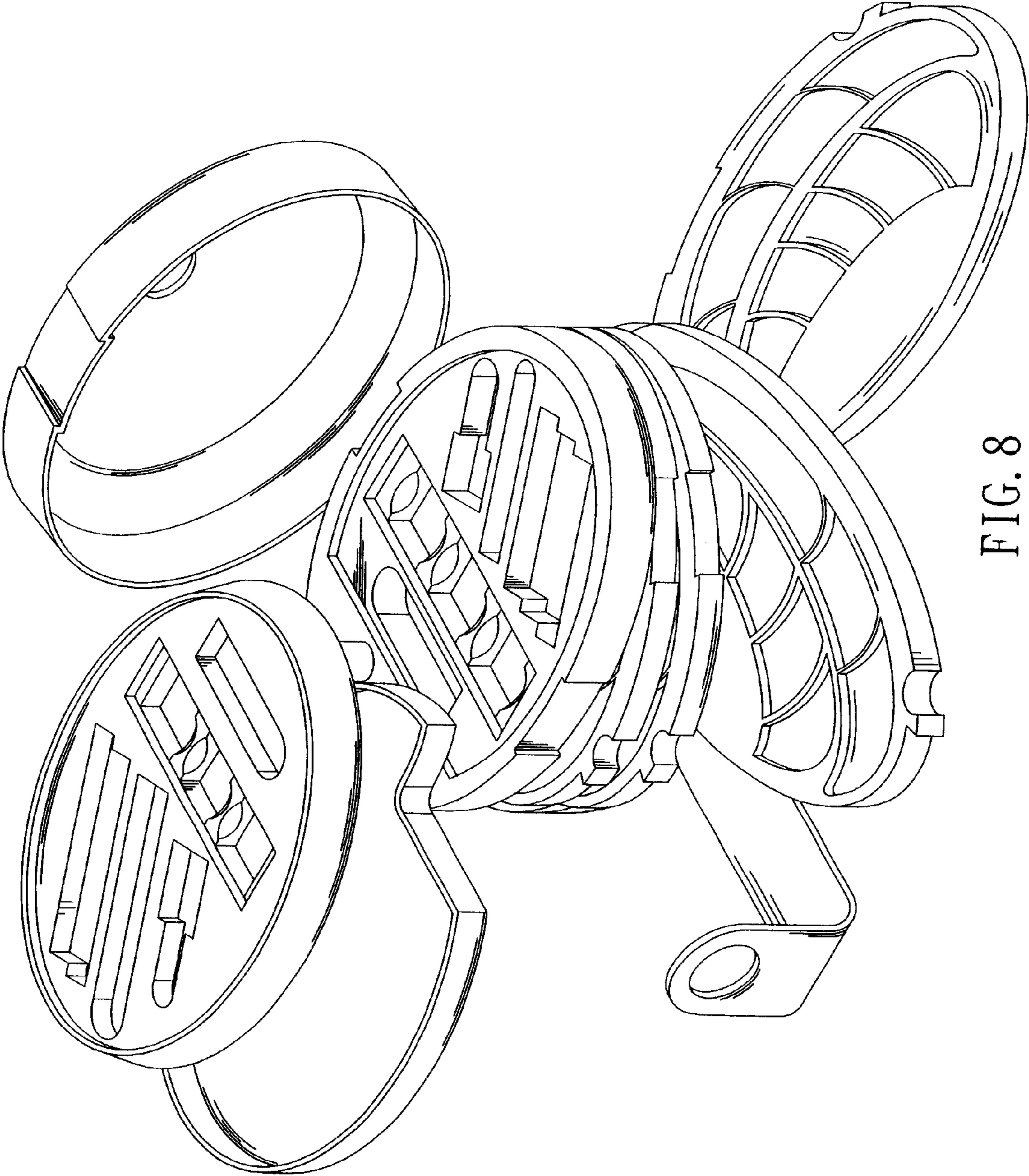


FIG. 8