



US00D517736S

(12) **United States Design Patent**
Shen

(10) **Patent No.:** **US D517,736 S**
(45) **Date of Patent:** **** Mar. 21, 2006**

(54) **MULTI HEART SHAPE COSMETIC CASE**

(75) Inventor: **Chien-Hung Shen**, Tainan (TW)

(73) Assignee: **Mei Shual Cosmetics, Ltd.**, Tainan (TW)

(**) Term: **14 Years**

(21) Appl. No.: **29/221,139**

(22) Filed: **Jan. 13, 2005**

(51) **LOC (8) Cl.** **28-03**

(52) **U.S. Cl.** **D28/82**

(58) **Field of Classification Search** D28/76,
D28/77, 78, 81, 82; 132/293-307; D9/529;
206/581, 823

See application file for complete search history.

(56) **References Cited**

U.S. PATENT DOCUMENTS

D310,736 S * 9/1990 Bakic D28/82

D478,190 S * 8/2003 Sheng D28/82

D480,179 S * 9/2003 Lai D28/82

* cited by examiner

Primary Examiner—Jennifer Rivard

(74) *Attorney, Agent, or Firm*—Rosenberg, Klein & Lee

(57) **CLAIM**

The ornamental design for an multi heart shape cosmetic case, as shown and described.

DESCRIPTION

FIG. 1 is front-right-top perspective view of an multi heart shape cosmetic case showing my new design;

FIG. 2 is a front elevation view thereof;

FIG. 3 is a rear elevation view thereof;

FIG. 4 is a left elevation view thereof;

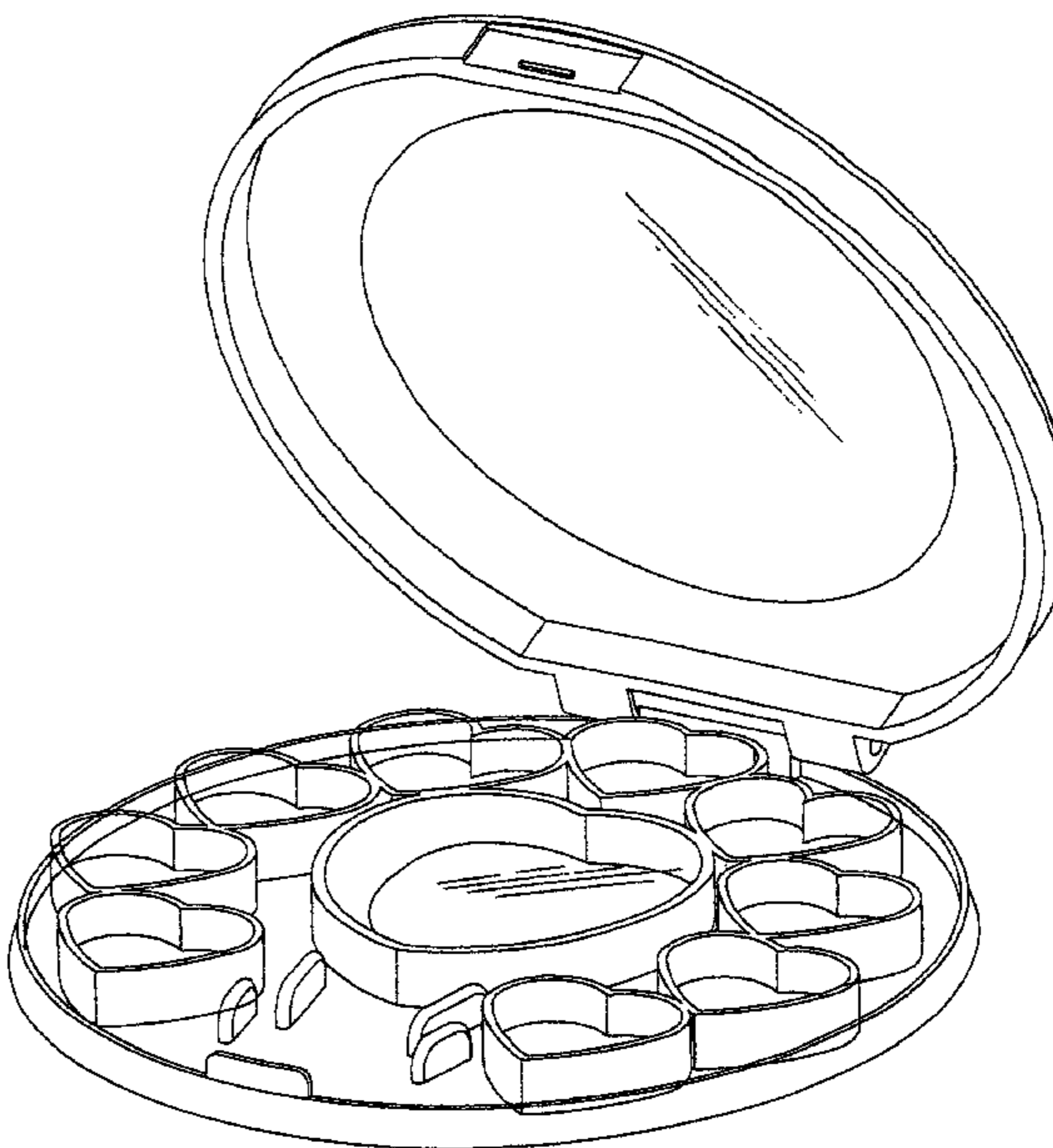
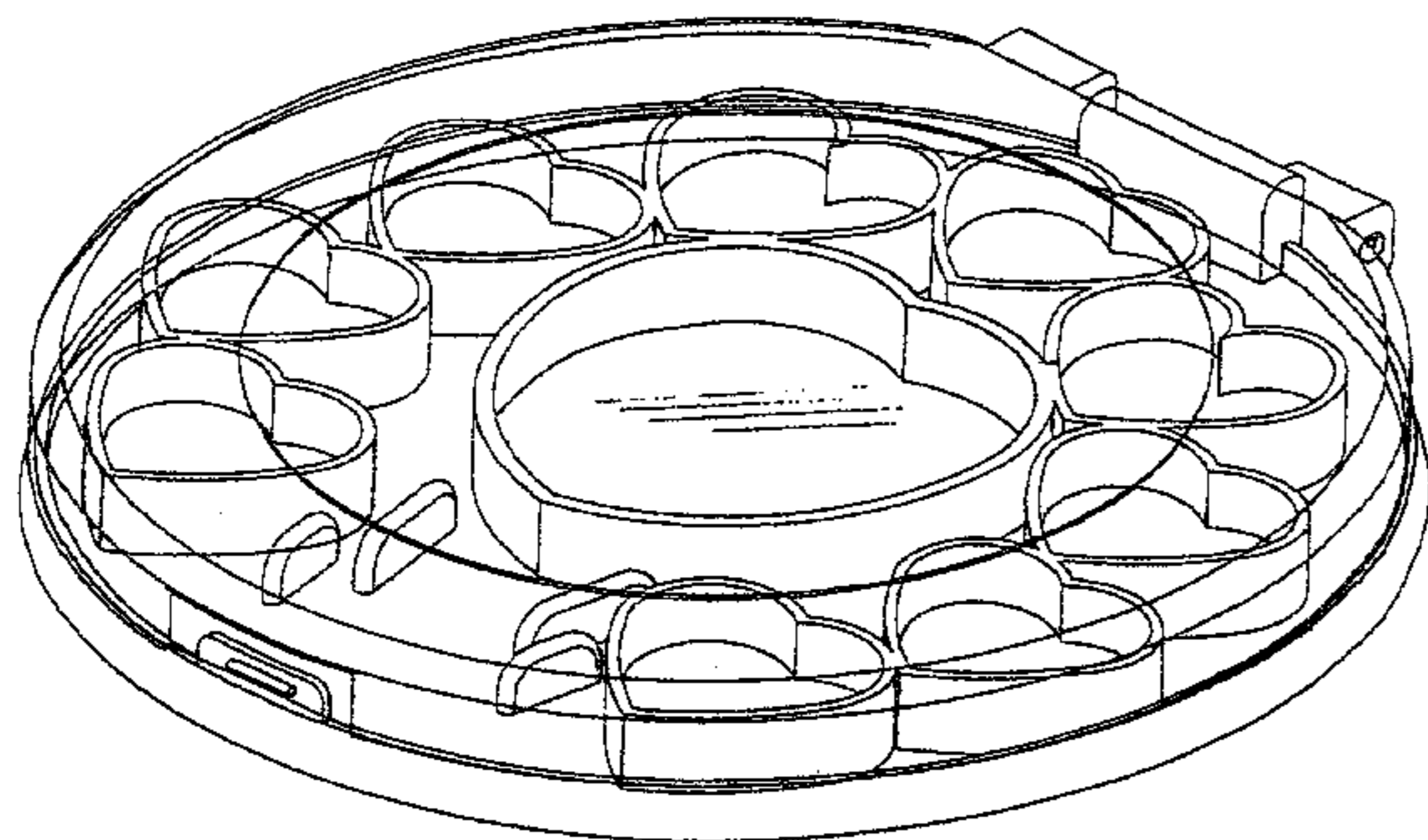
FIG. 5 is a right elevation view thereof;

FIG. 6 is a top plan view thereof;

FIG. 7 is a bottom plan view thereof; and,

FIG. 8 is a perspective view of the multi heart shape cosmetic case with the cover opened.

1 Claim, 8 Drawing Sheets



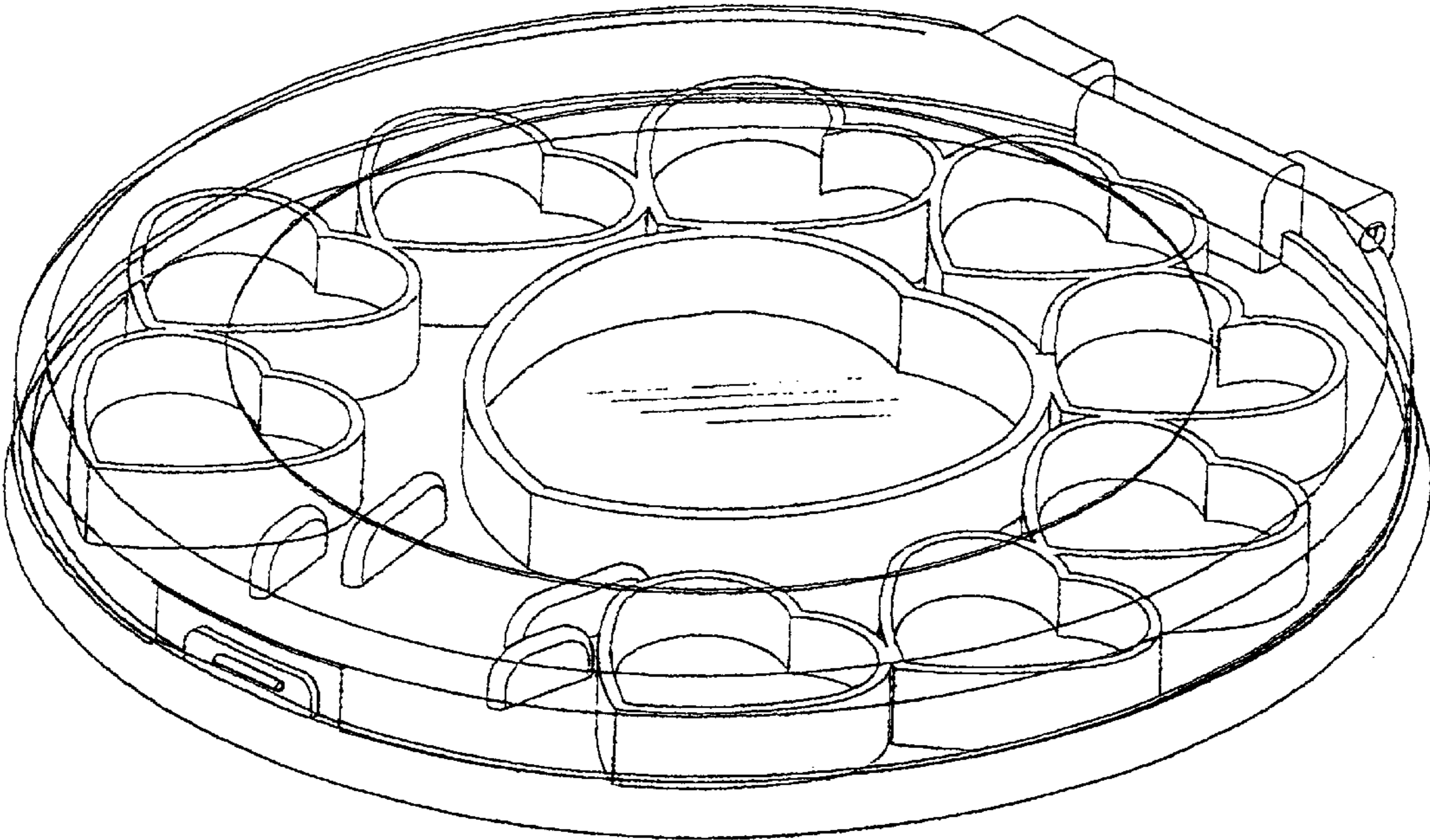


FIG.1

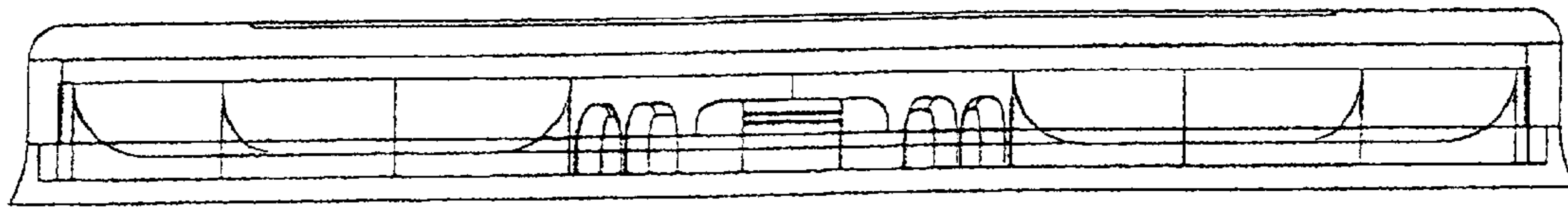


FIG. 2

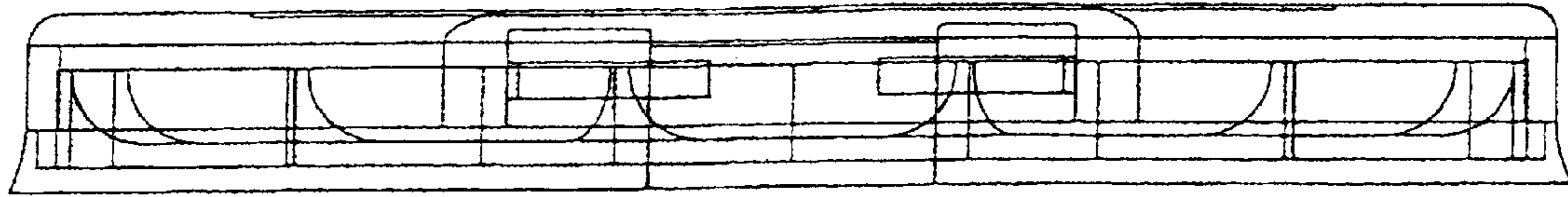


FIG. 3

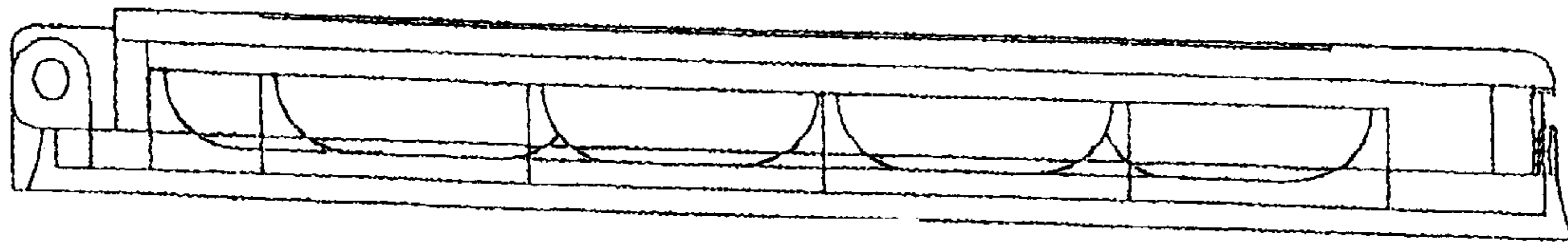


FIG. 4

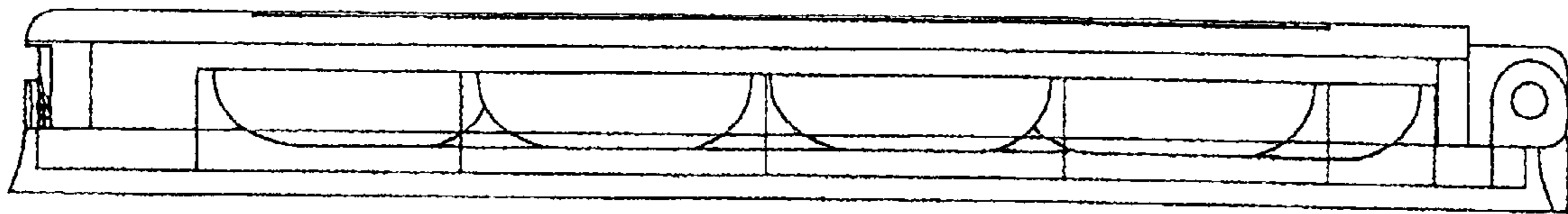


FIG. 5

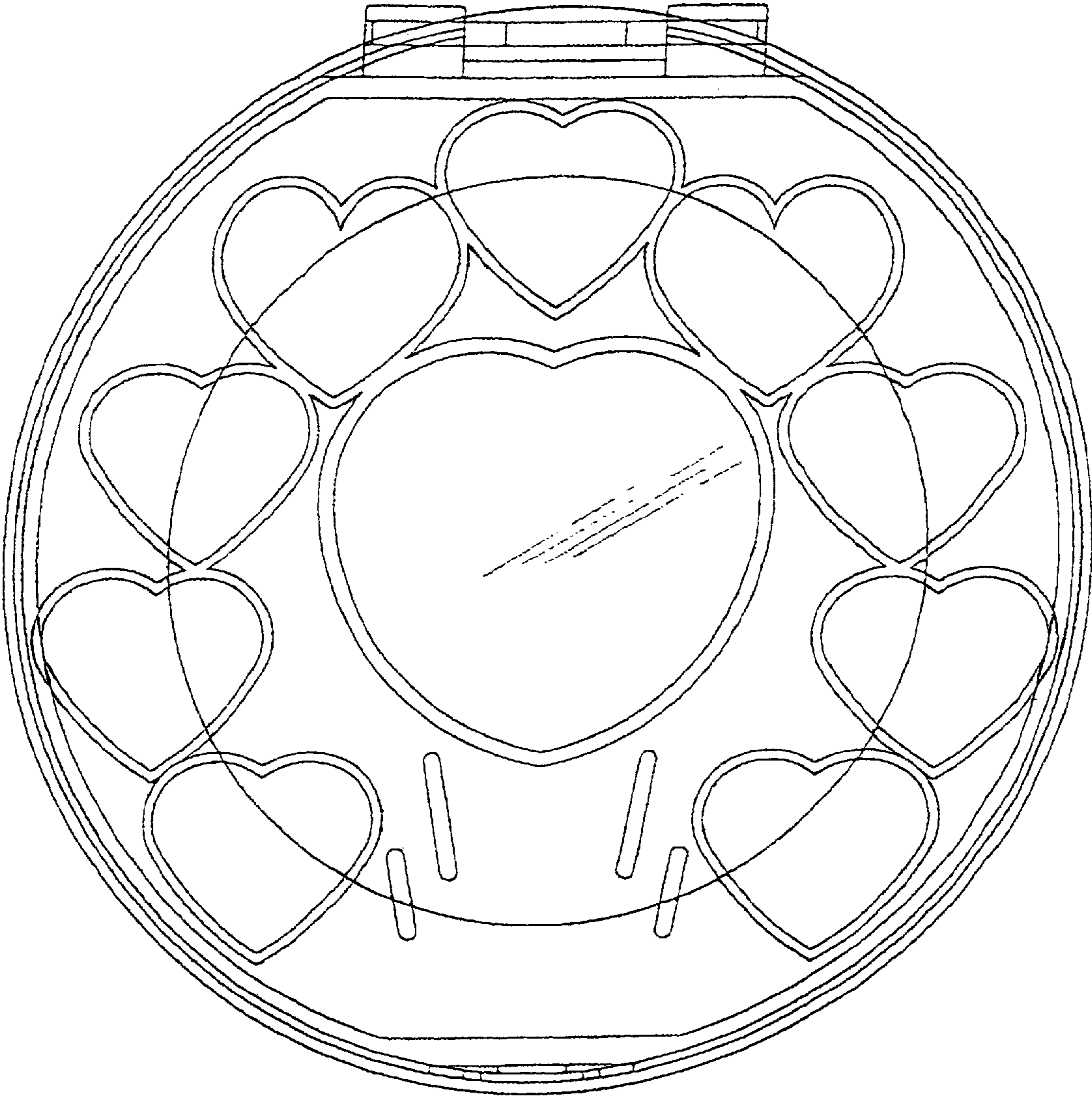


FIG. 6

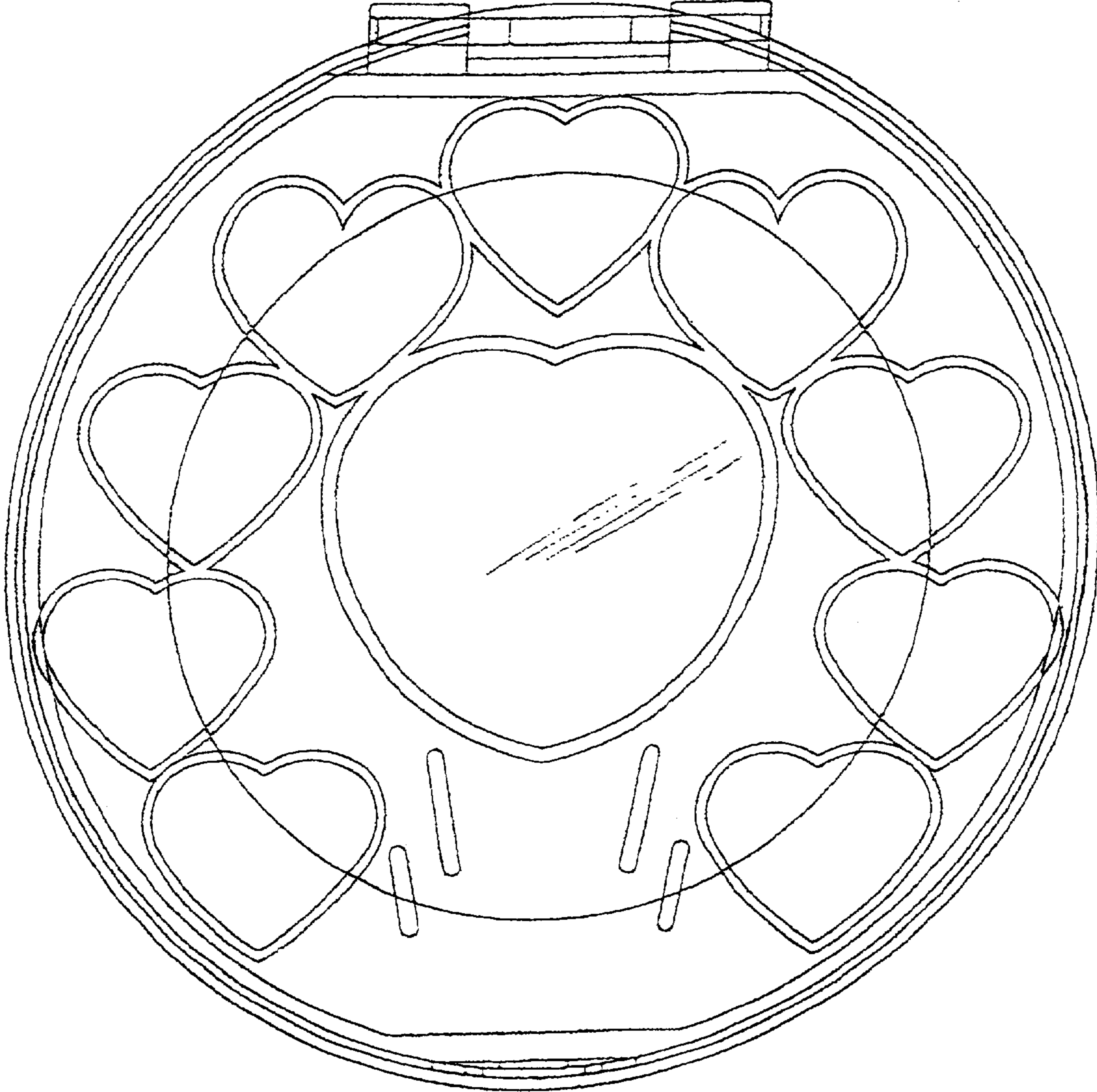


FIG. 7

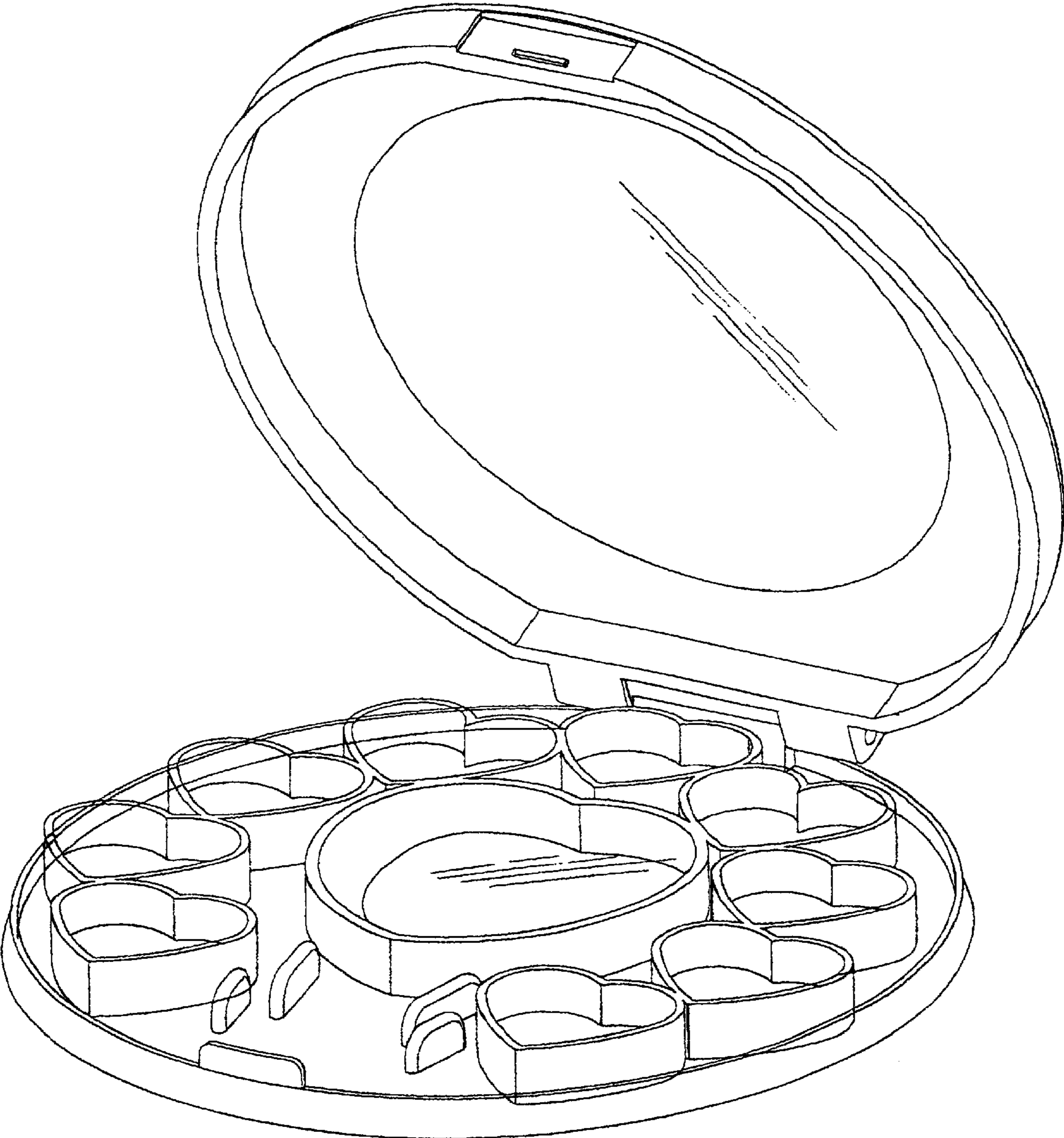


FIG. 8