



US00D517734S

(12) **United States Design Patent**
Shen

(10) **Patent No.:** **US D517,734 S**
(45) **Date of Patent:** **** Mar. 21, 2006**

(54) **ASSORTED COSMETIC CASE**

(75) Inventor: **Chen-Hung Shen**, Tainan (TW)

(73) Assignee: **Mei Shual Cosmetics, Ltd.**, Tainan (TW)

(**) Term: **14 Years**

(21) Appl. No.: **29/221,140**

(22) Filed: **Jan. 13, 2005**

(51) **LOC (8) Cl.** **28-03**

(52) **U.S. Cl.** **D28/78**

(58) **Field of Classification Search** D28/76,
D28/77, 78, 81, 83; 132/293-307; 206/581,
206/823; 220/4.22, 4.27

See application file for complete search history.

(56) **References Cited**

U.S. PATENT DOCUMENTS

D270,389 S	*	8/1983	Lee	D28/83
D478,189 S	*	8/2003	Sheng	D28/78
D482,494 S	*	11/2003	Sheng	D28/79
D484,645 S	*	12/2003	Sheng	D28/78

* cited by examiner

Primary Examiner—Jennifer Rivard

(74) *Attorney, Agent, or Firm*—Rosenberg, Klein & Lee

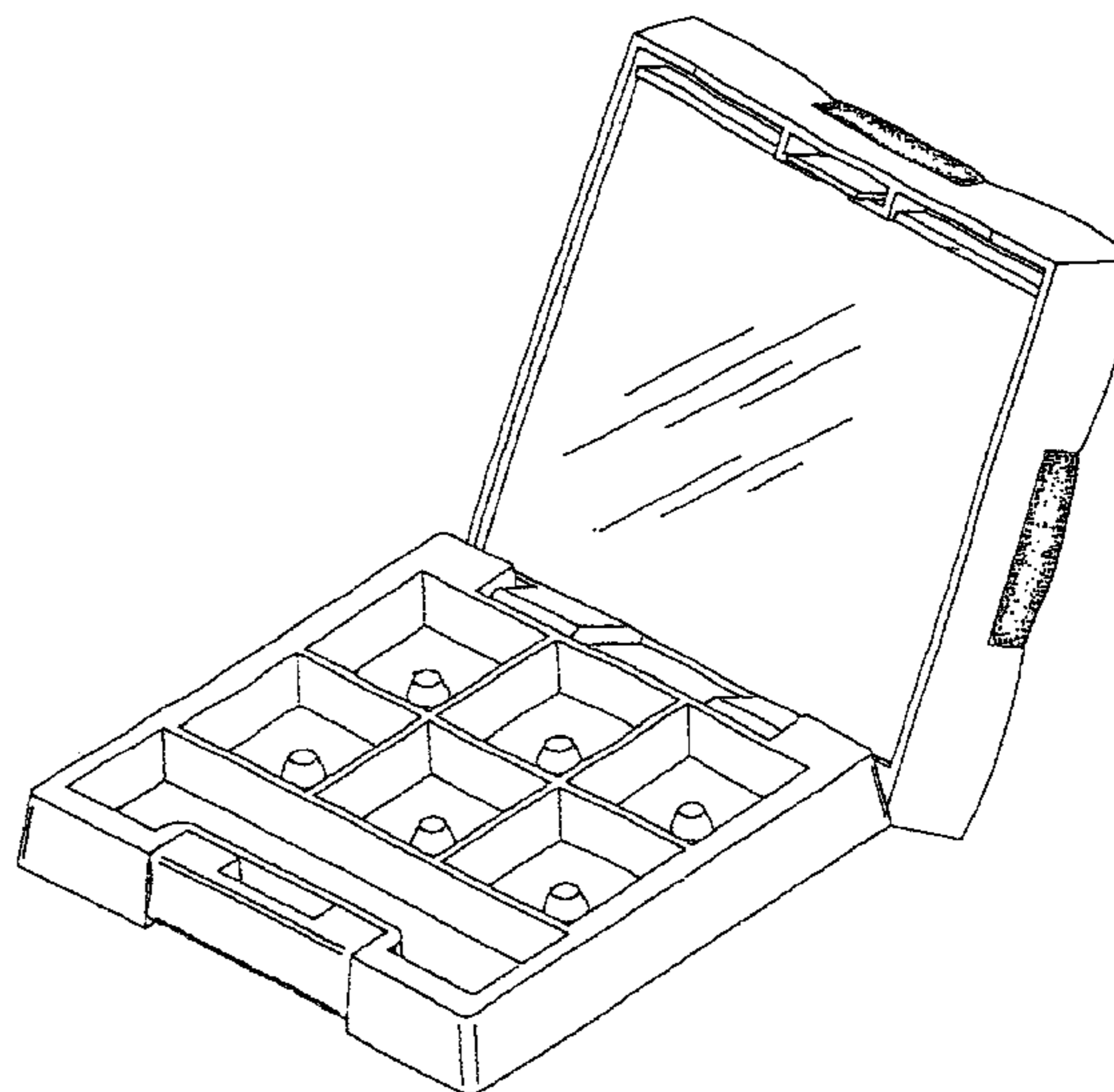
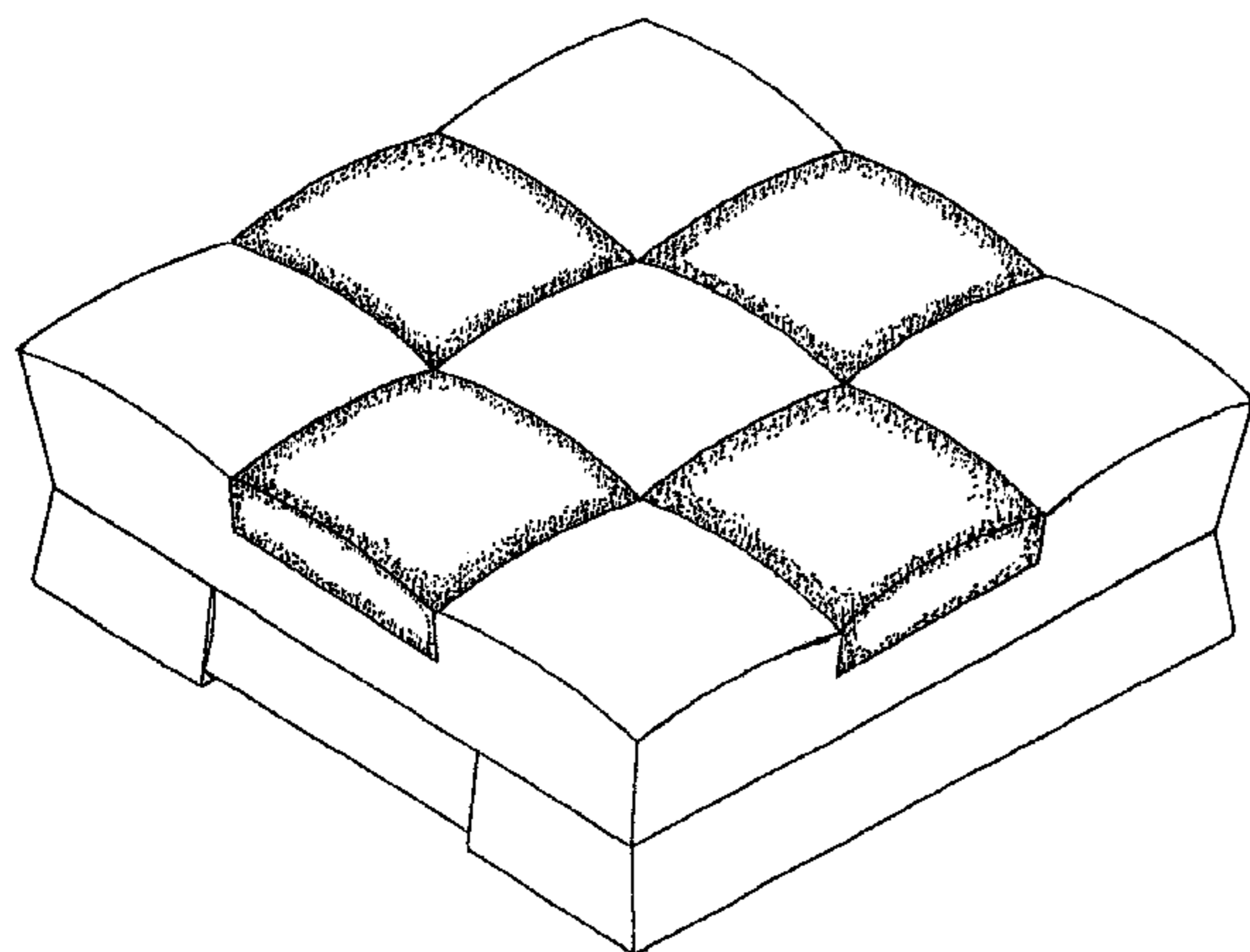
(57) **CLAIM**

The ornamental design for an assorted cosmetic case, as shown and described.

DESCRIPTION

FIG. 1 is front-right-top perspective view of an assorted cosmetic case showing my new design;
 FIG. 2 is a front elevation view thereof;
 FIG. 3 is a rear elevation view thereof;
 FIG. 4 is a left elevation view thereof;
 FIG. 5 is a right elevation view thereof;
 FIG. 6 is a top plan view thereof;
 FIG. 7 is a bottom plan view thereof; and
 FIG. 8 is a perspective view thereof with the top shown in an alternate position; and,
 FIG. 9 is a perspective view thereof shown with the cover opened.

1 Claim, 9 Drawing Sheets



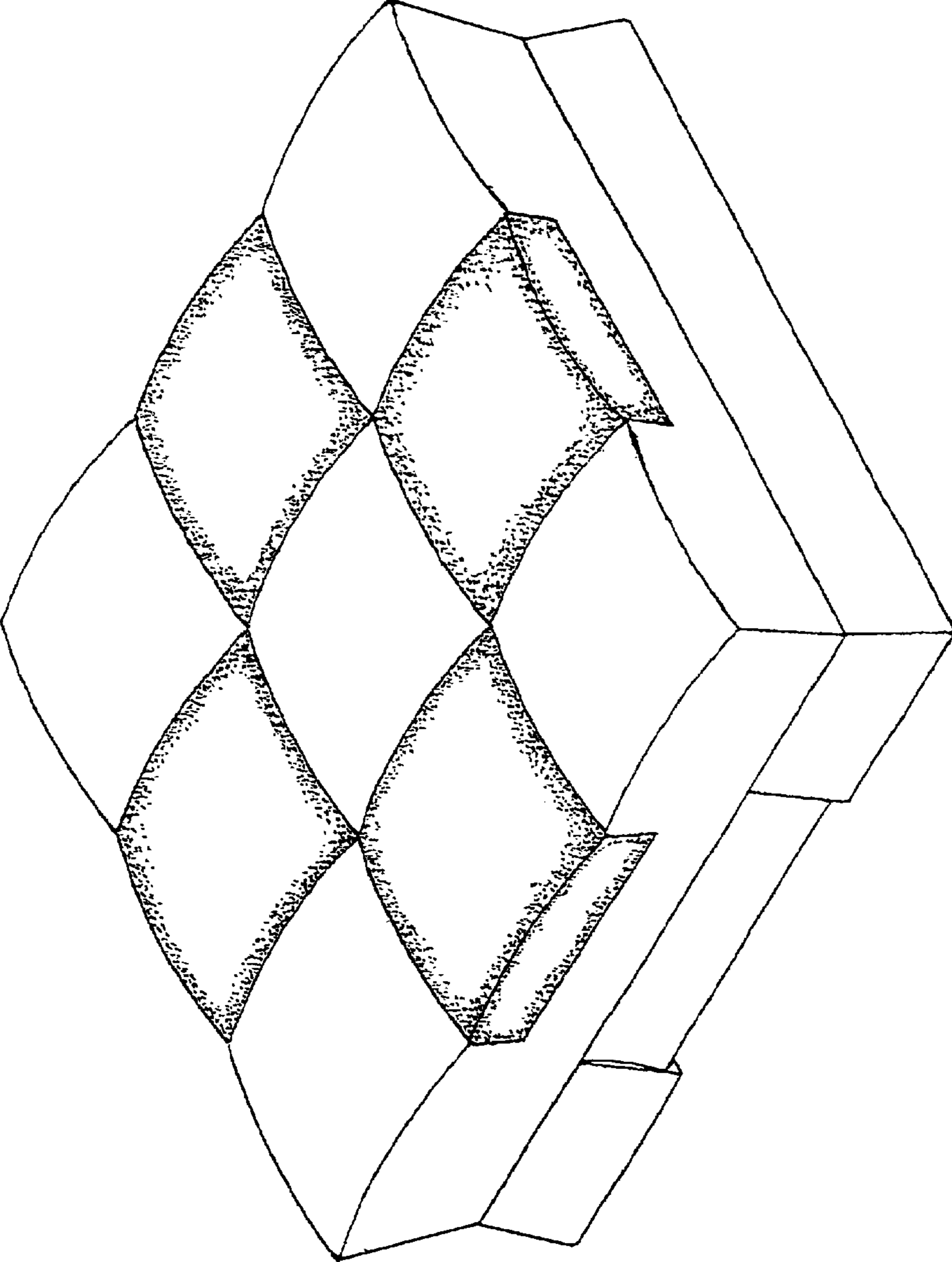


FIG.1

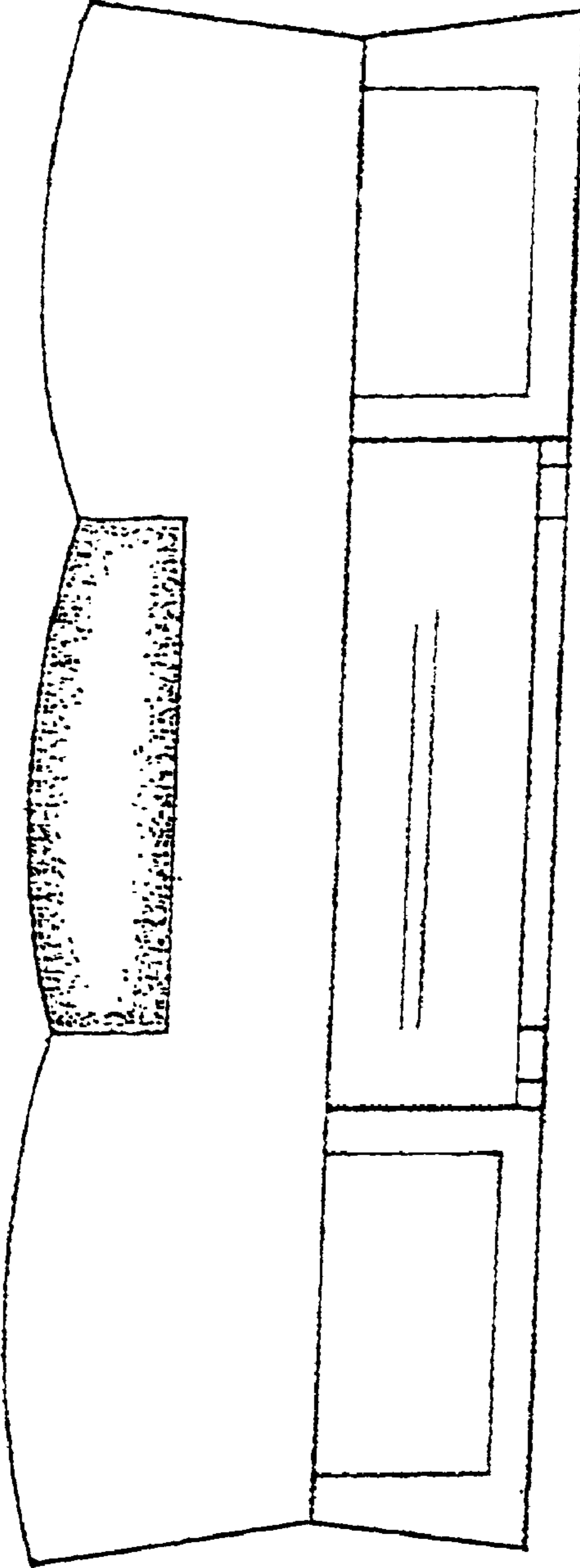


FIG. 2

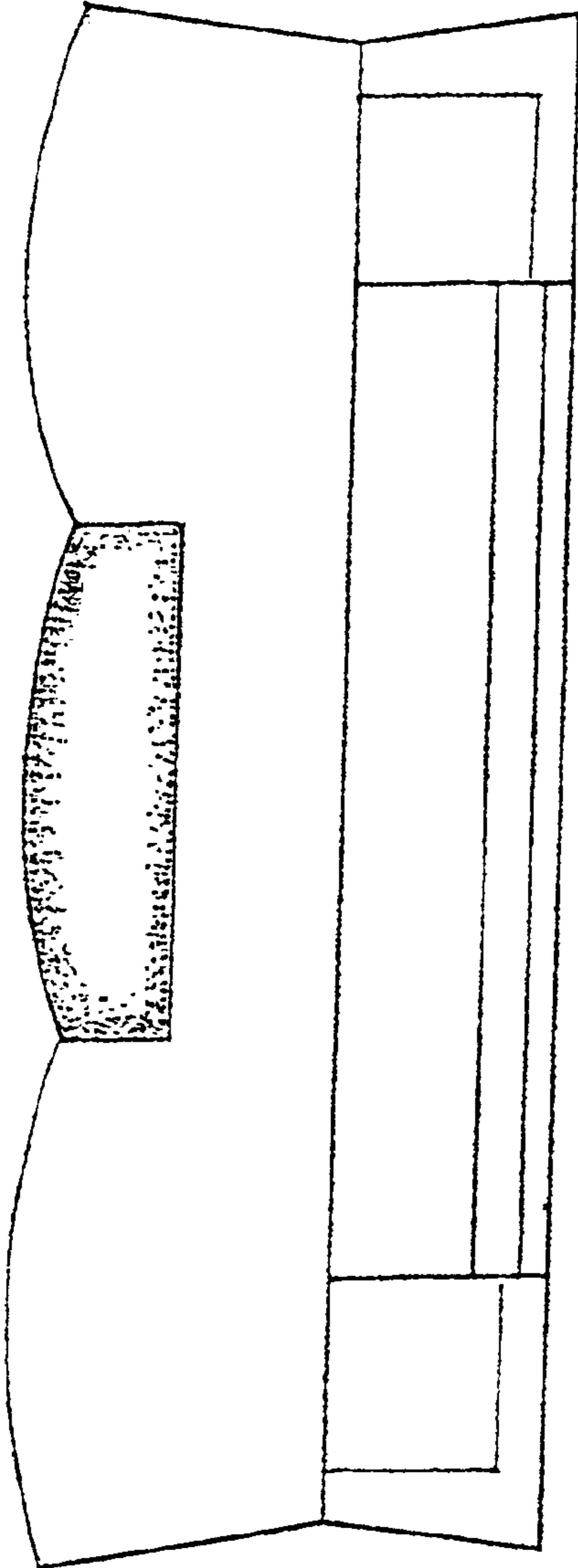


FIG. 3

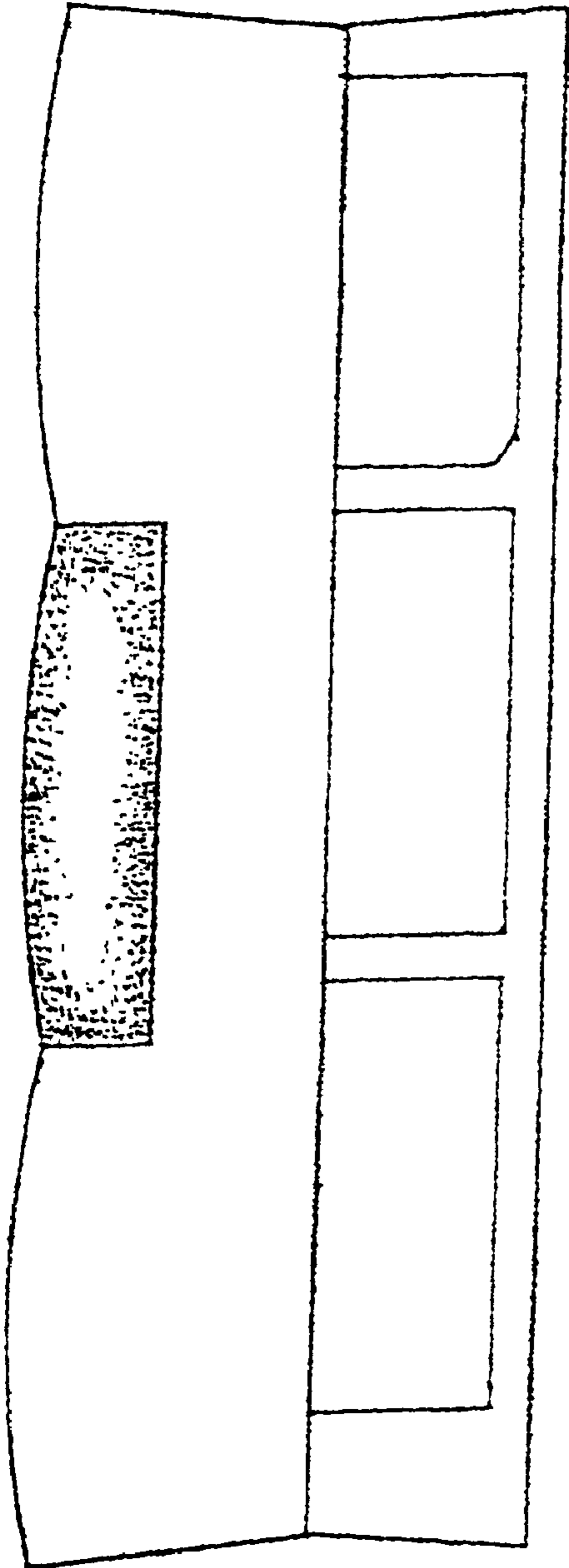


FIG. 4

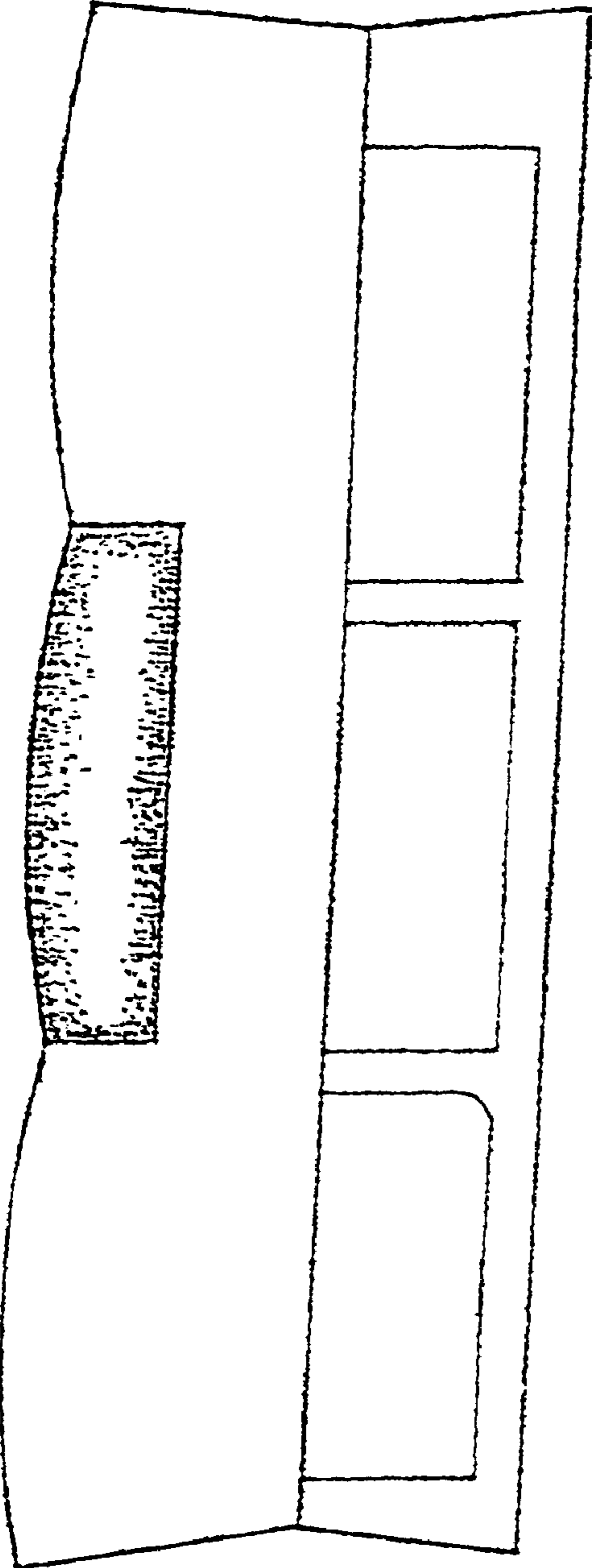


FIG. 5

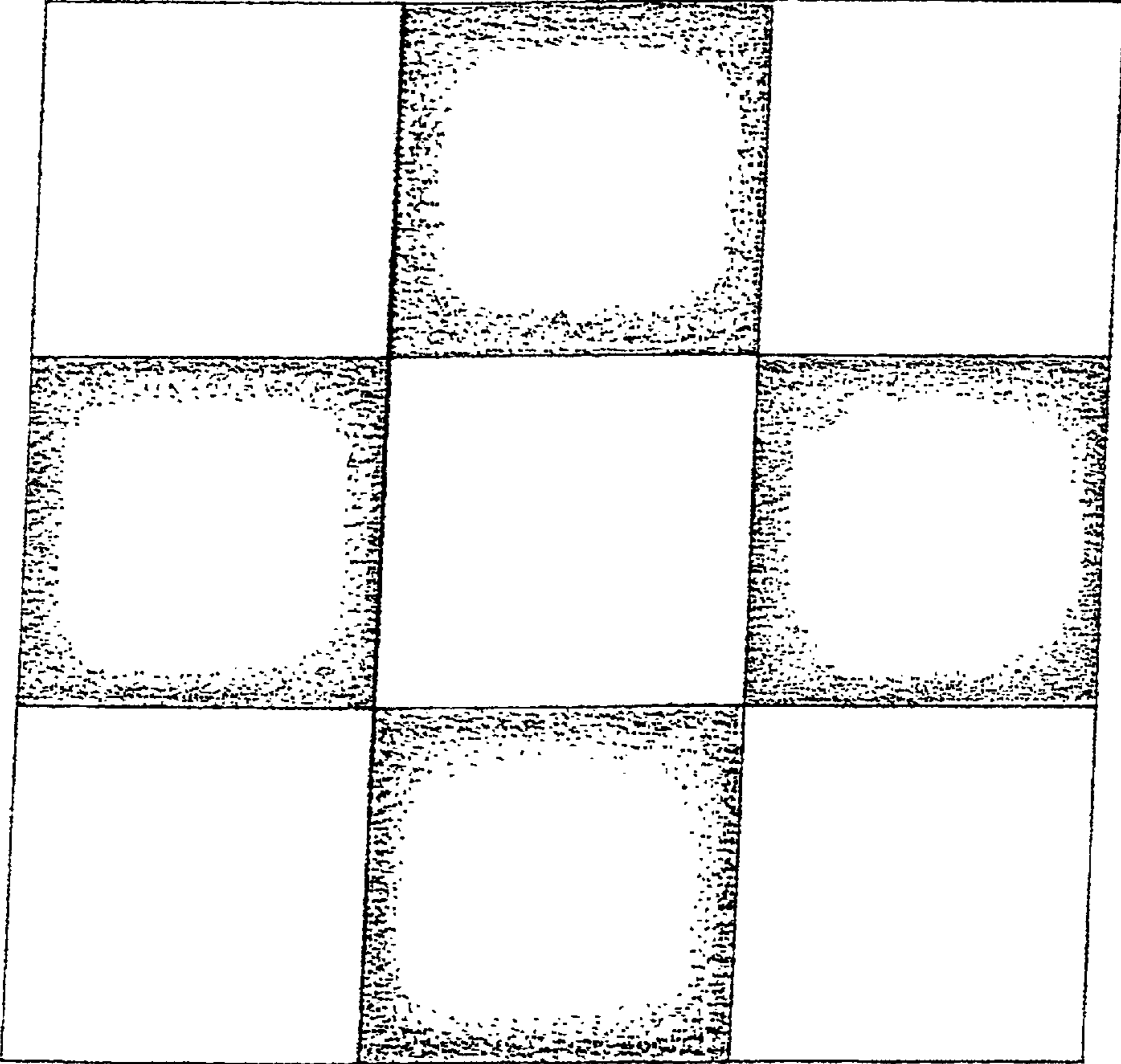


FIG. 6

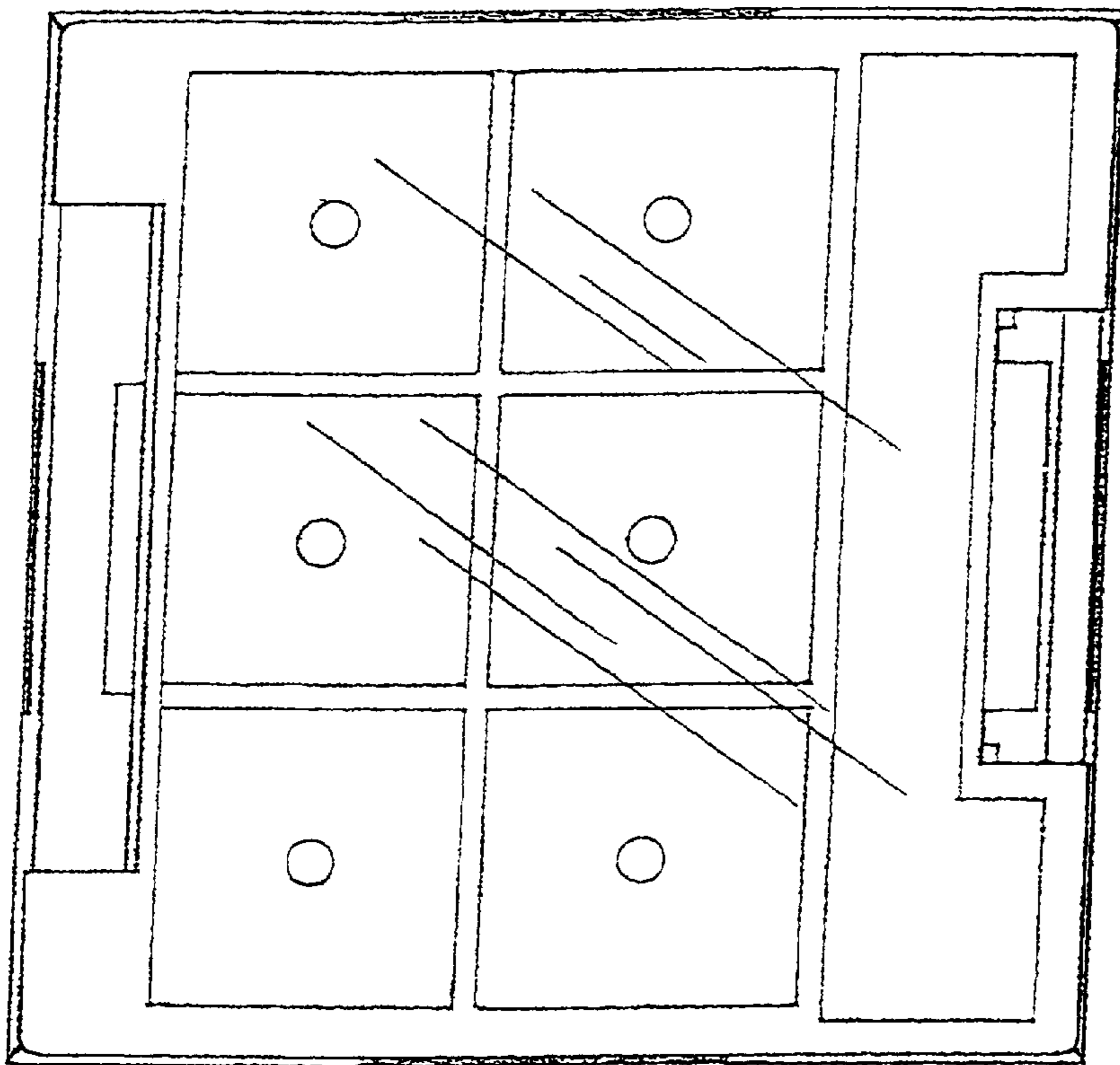


FIG. 7

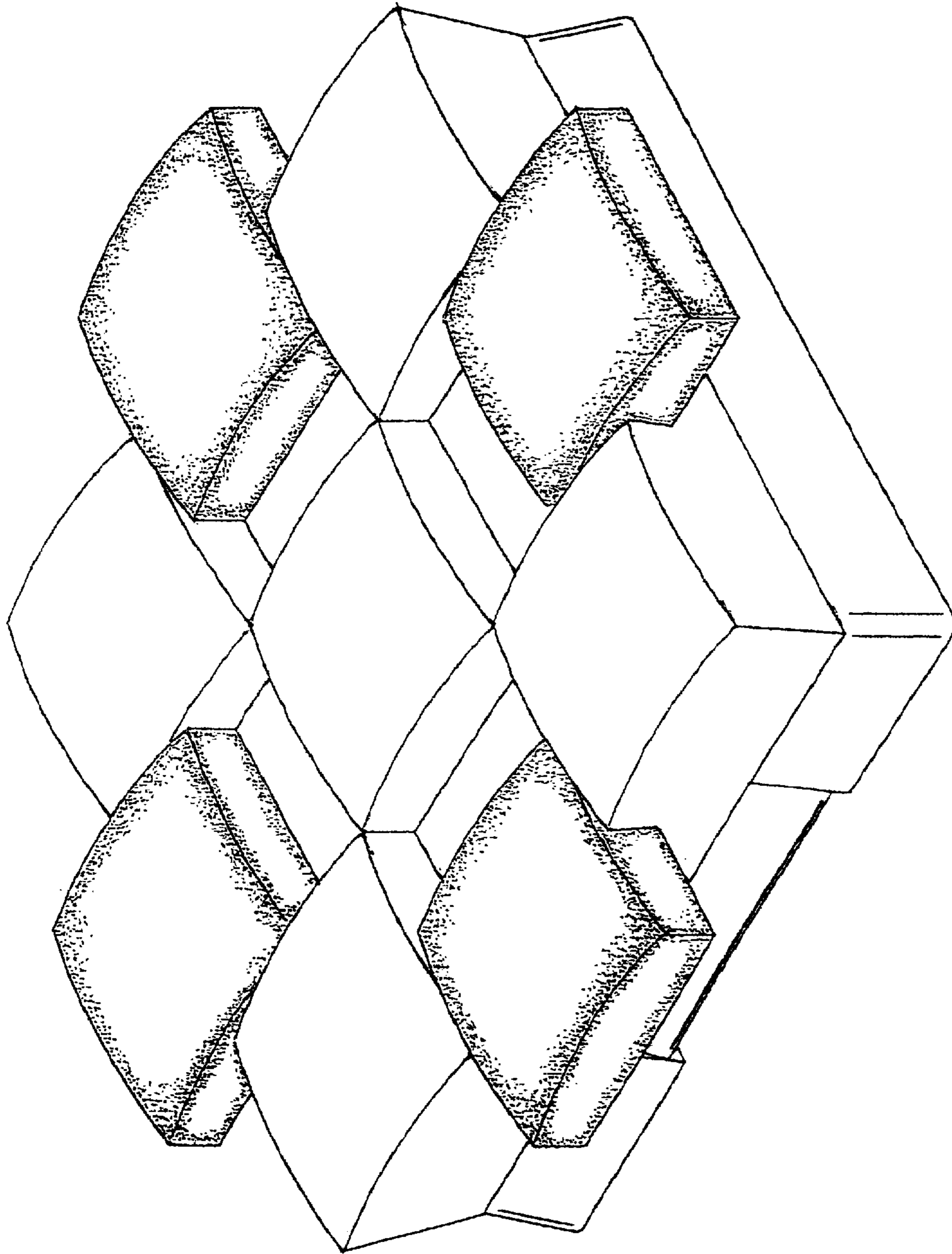


FIG 8

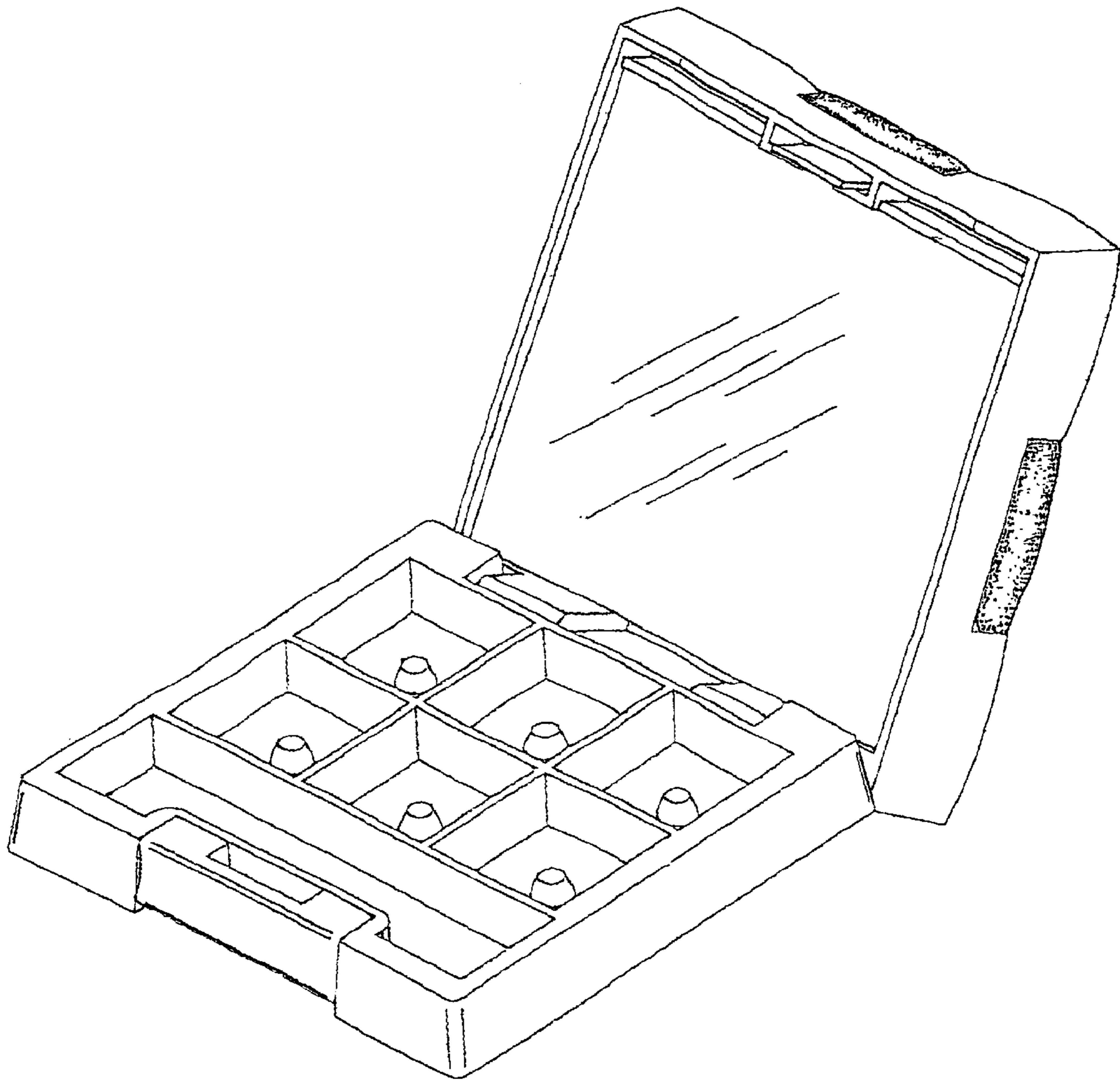


FIG. 9