



US00D517732S

(12) **United States Design Patent**  
**Osterholt et al.**

(10) **Patent No.:** **US D517,732 S**  
(45) **Date of Patent:** **\*\* Mar. 21, 2006**

(54) **PURSE HANGER WITH COSMETIC COMPACT**

D465,653 S \* 11/2002 Fuschillo ..... D3/328  
2005/0161570 A1 \* 7/2005 Bauerly ..... 248/317

(76) Inventors: **Lana M. Osterholt**, 261 Sycamore Grove St., Simi Valley, CA (US) 93065;  
**Gerald R. Osterholt**, 261 Sycamore Grove St., Simi Valley, CA (US) 93065

\* cited by examiner

*Primary Examiner*—Jennifer Rivard  
(74) *Attorney, Agent, or Firm*—Jack C. Munro

(\*\*) Term: **14 Years**

(57) **CLAIM**

The ornamental design for the purse hanger with cosmetic compact, as shown and described.

(21) Appl. No.: **29/223,626**

(22) Filed: **Feb. 15, 2005**

**DESCRIPTION**

(51) **LOC (8) Cl.** ..... **28-03**

(52) **U.S. Cl.** ..... **D28/77; D3/328**

(58) **Field of Classification Search** ..... D28/76,  
D28/77, 78, 82; D3/328; D6/317, 320–325;  
132/293–307; 248/317, 339, 581, 823  
See application file for complete search history.

FIG. 1 is an isometric view of the purse hanger with cosmetic compact as it would be mounted on an edge of a table showing our new design with the broken lines of the table and purse are for illustration purposes only and form no part of the claimed design;

FIG. 2 is a front elevational view thereof;

FIG. 3 is a right side elevational view thereof with the left side being identical but reversed;

FIG. 4 is a rear elevational view thereof;

FIG. 5 is a top plan view thereof; and,

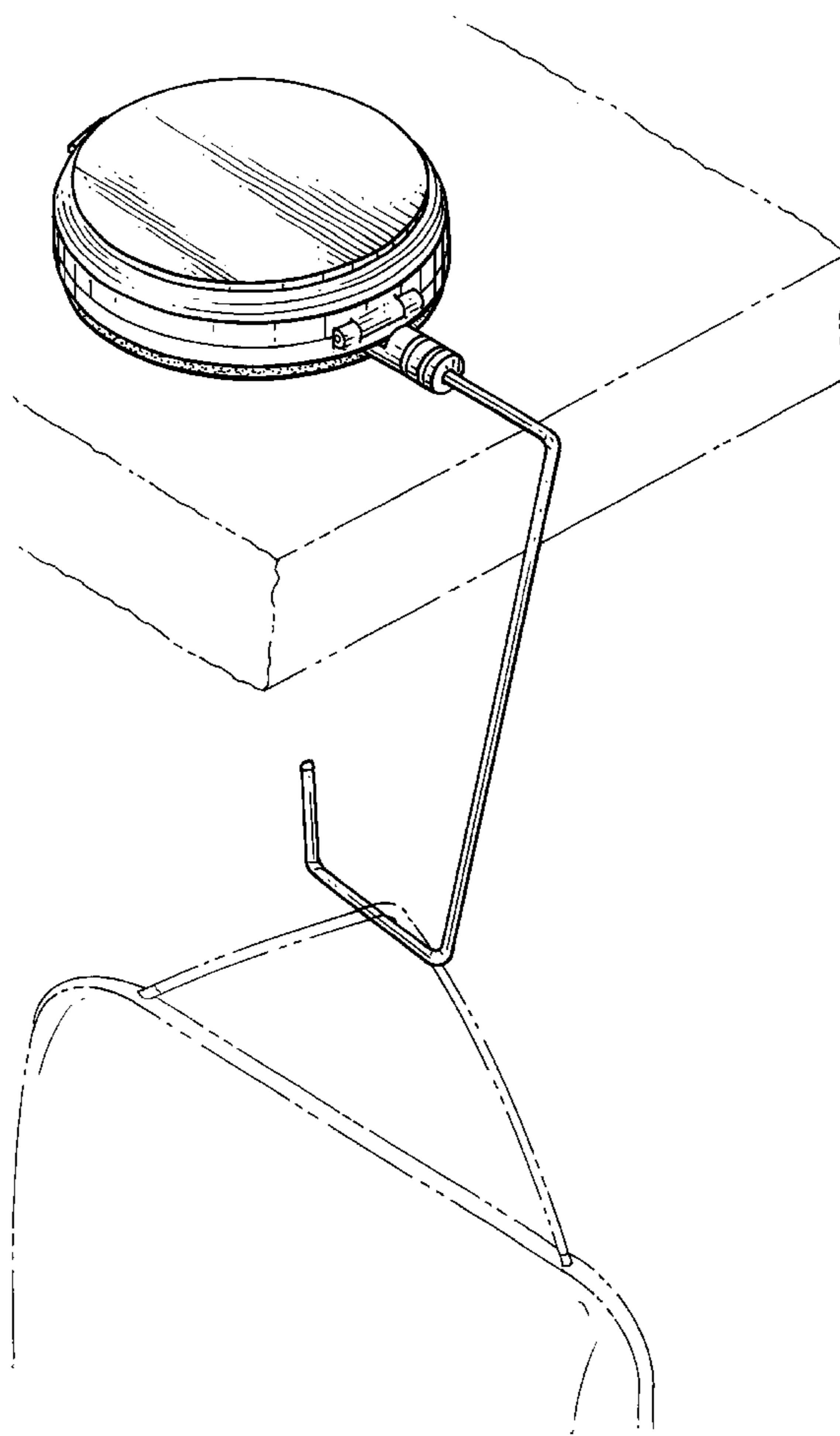
FIG. 6 is a bottom plan view thereof.

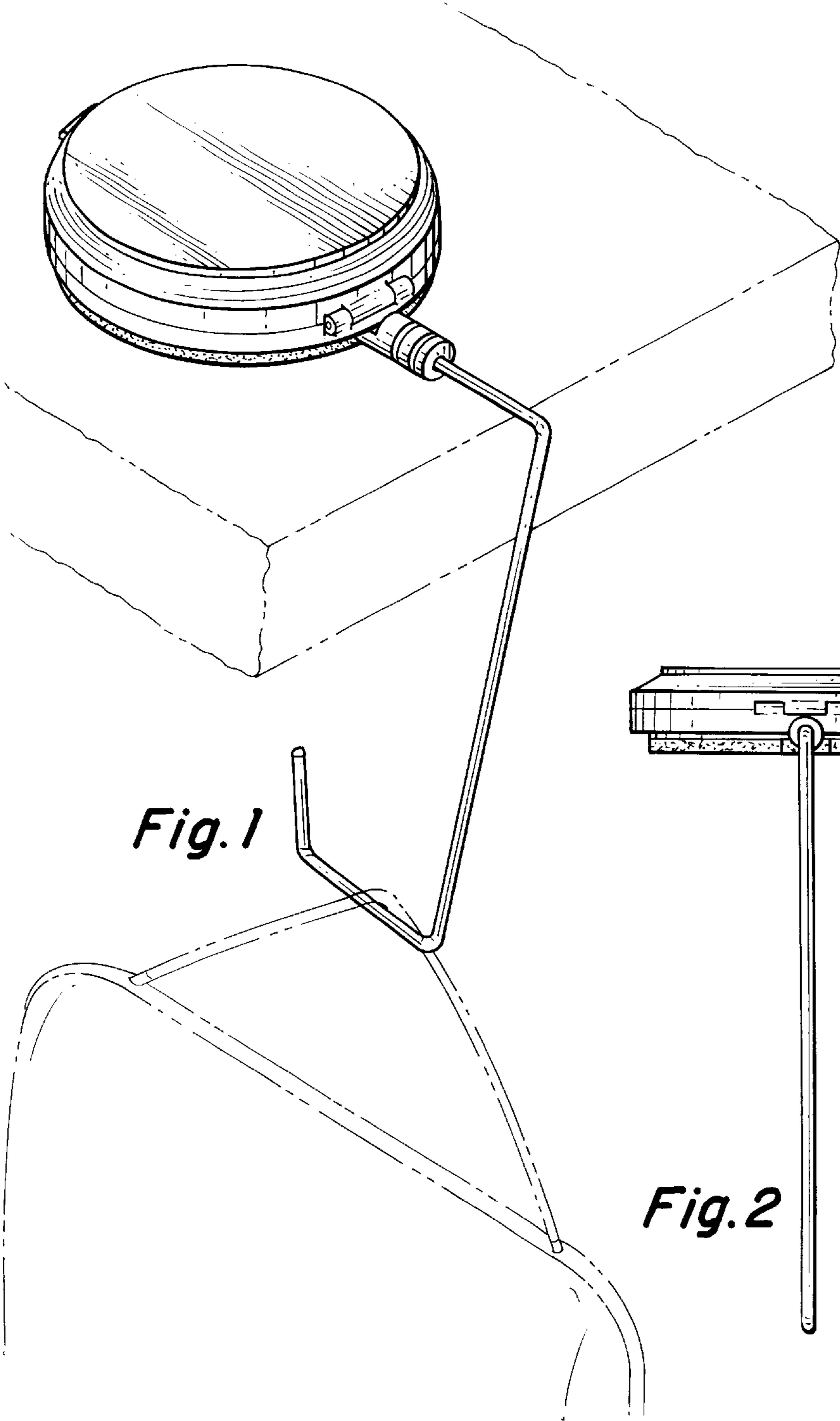
(56) **References Cited**

**U.S. PATENT DOCUMENTS**

D75,502 S \* 6/1928 Kasdan et al. .... D28/82  
D300,882 S \* 5/1989 Olson ..... D3/328  
D435,733 S \* 1/2001 Osterholt ..... D3/328

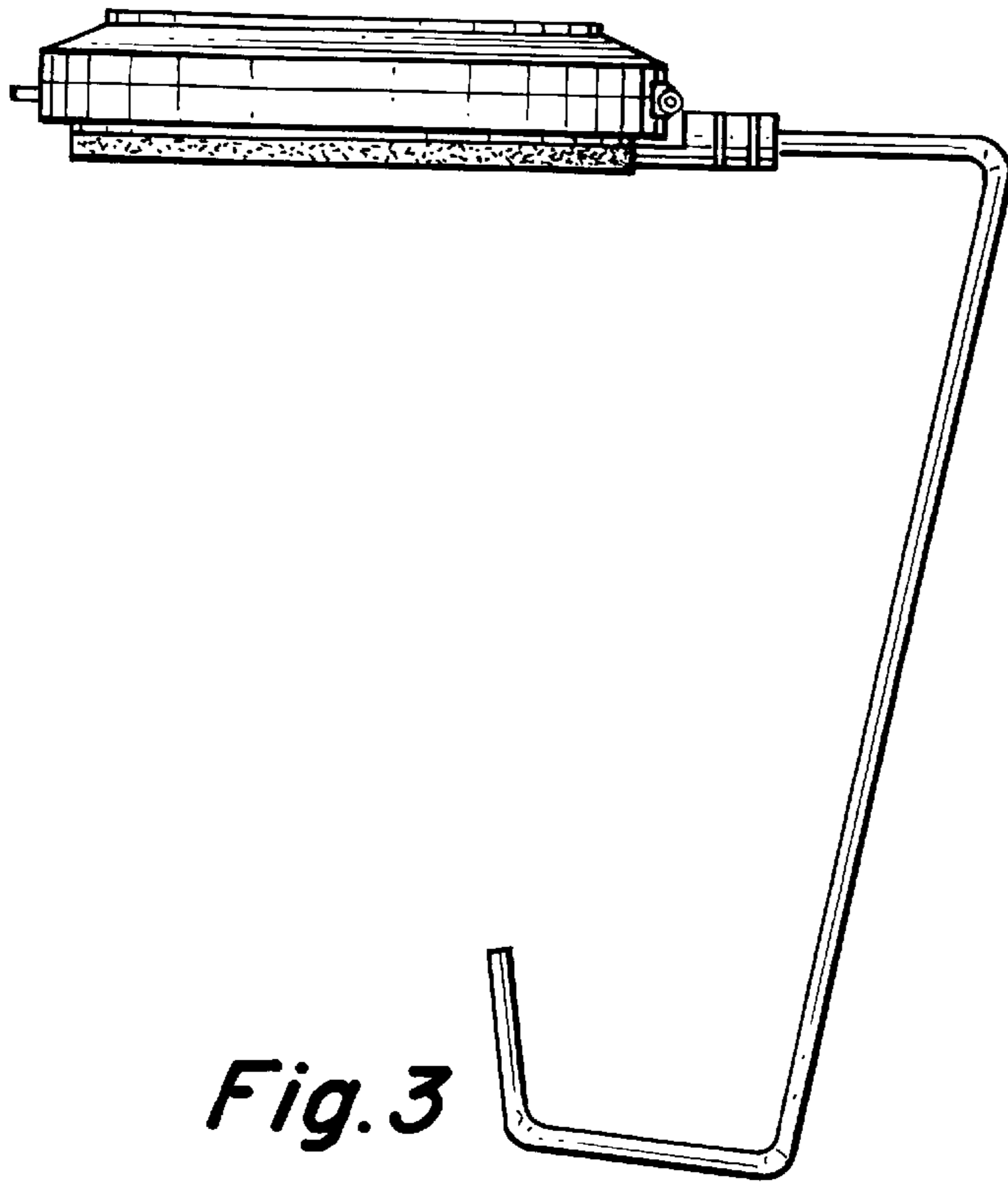
**1 Claim, 2 Drawing Sheets**



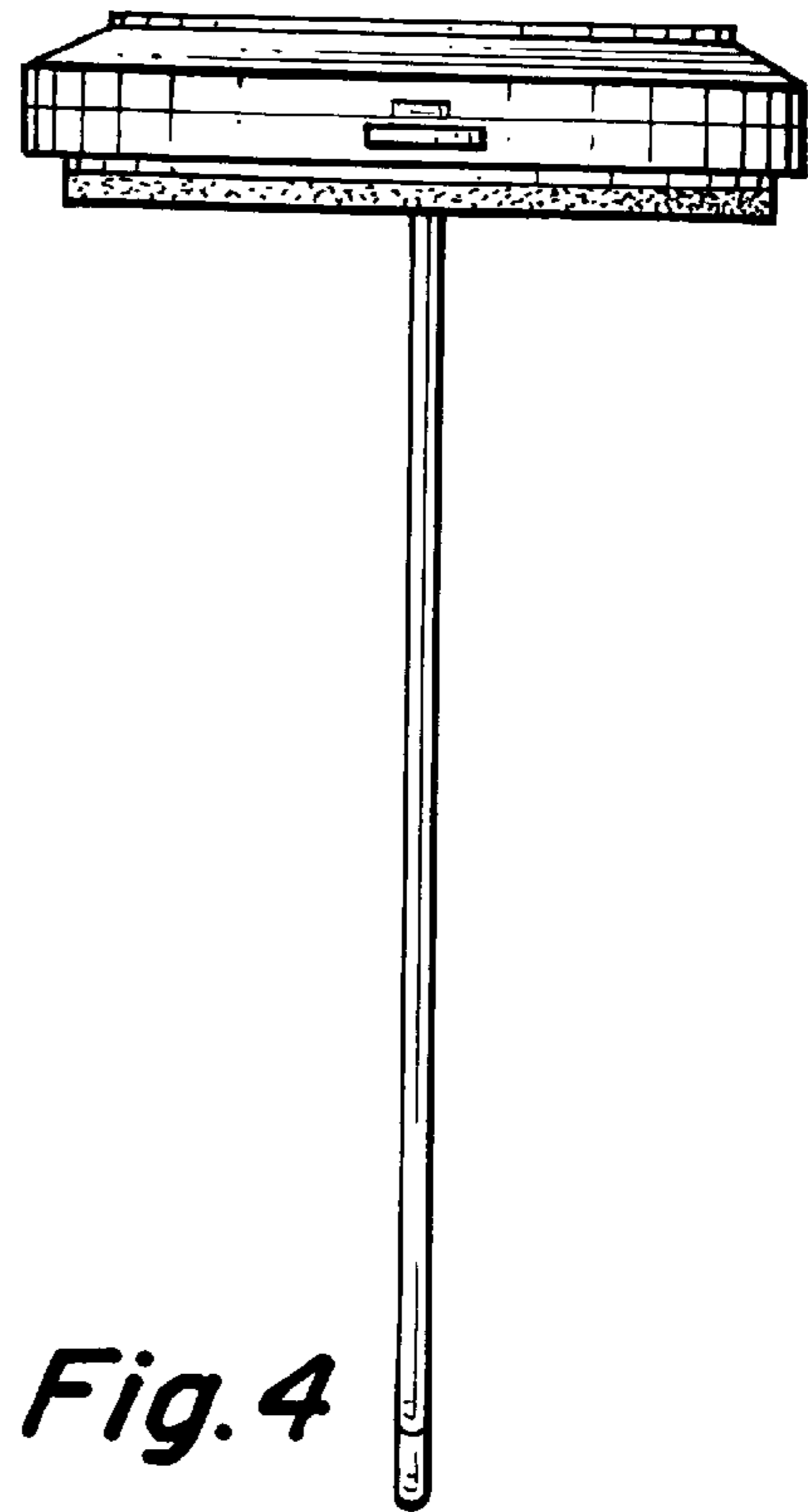


*Fig. 1*

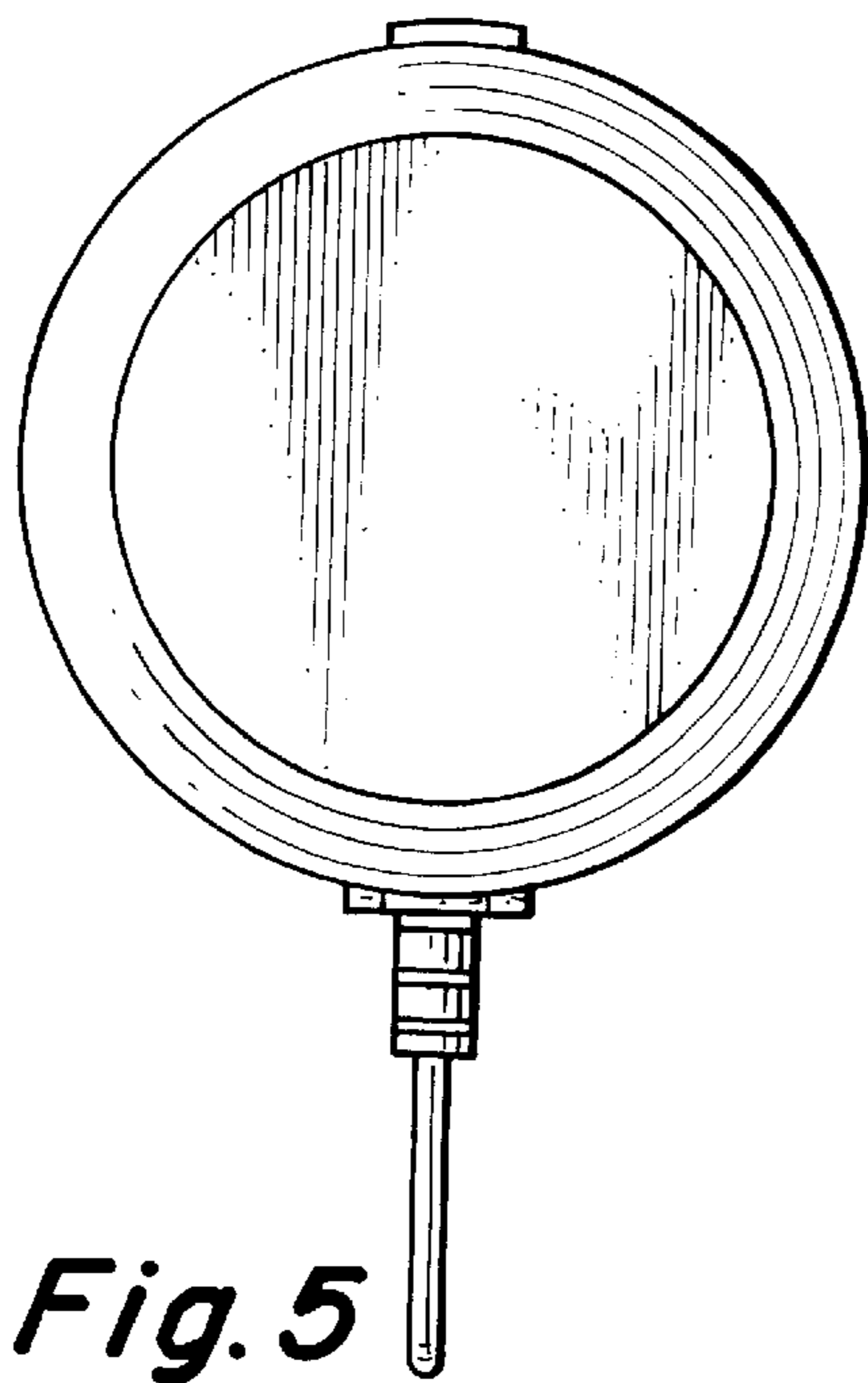
*Fig. 2*



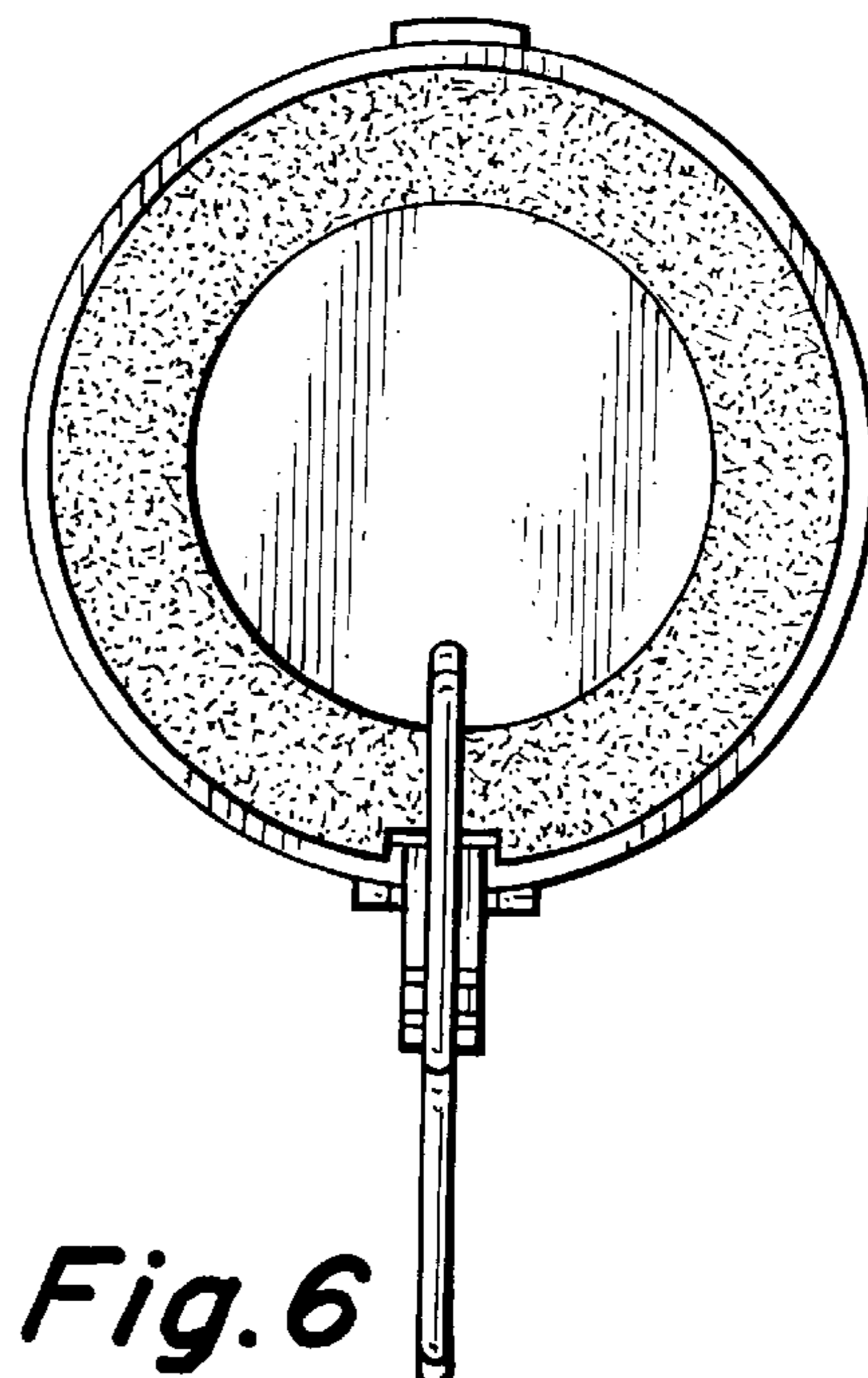
*Fig. 3*



*Fig. 4*



*Fig. 5*



*Fig. 6*