



US00D517731S

(12) **United States Design Patent**
Legras de Grandcourt

(10) **Patent No.:** **US D517,731 S**
(45) **Date of Patent:** **** Mar. 21, 2006**

(54) **NAIL CLIPPERS**

D437,458 S * 2/2001 Kim D28/60
D507,850 S * 7/2005 Christianson D28/59

(75) Inventor: **Frederic Legras de Grandcourt**, Paris (FR)

* cited by examiner

(73) Assignee: **Vitry Freres**, Paris (FR)

Primary Examiner—Jennifer Rivard
(74) *Attorney, Agent, or Firm*—Sughrue Mion, PLLC

(**) Term: **14 Years**

(57) **CLAIM**

(21) Appl. No.: **29/219,808**

I claim the ornamental design for nail clippers, as shown and described.

(22) Filed: **Dec. 23, 2004**

(30) **Foreign Application Priority Data**

Aug. 10, 2004 (FR) 000214754

(51) **LOC (8) Cl.** **28-03**

(52) **U.S. Cl.** **D28/60; D28/59**

(58) **Field of Classification Search** D28/59,
D28/60; 132/75, 75.3, 75.4, 75.5, 75.6, 76.2;
30/26–29

See application file for complete search history.

DESCRIPTION

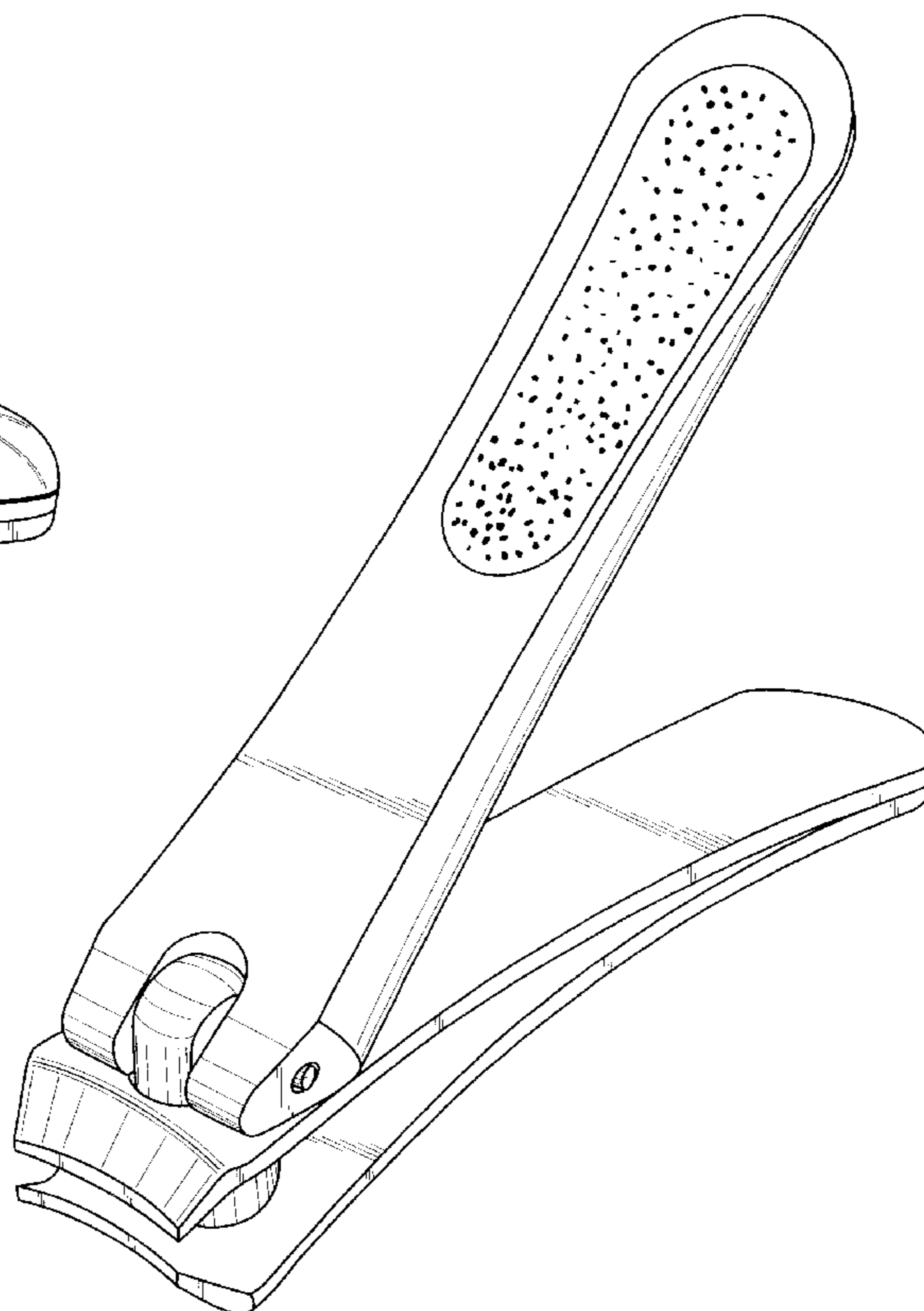
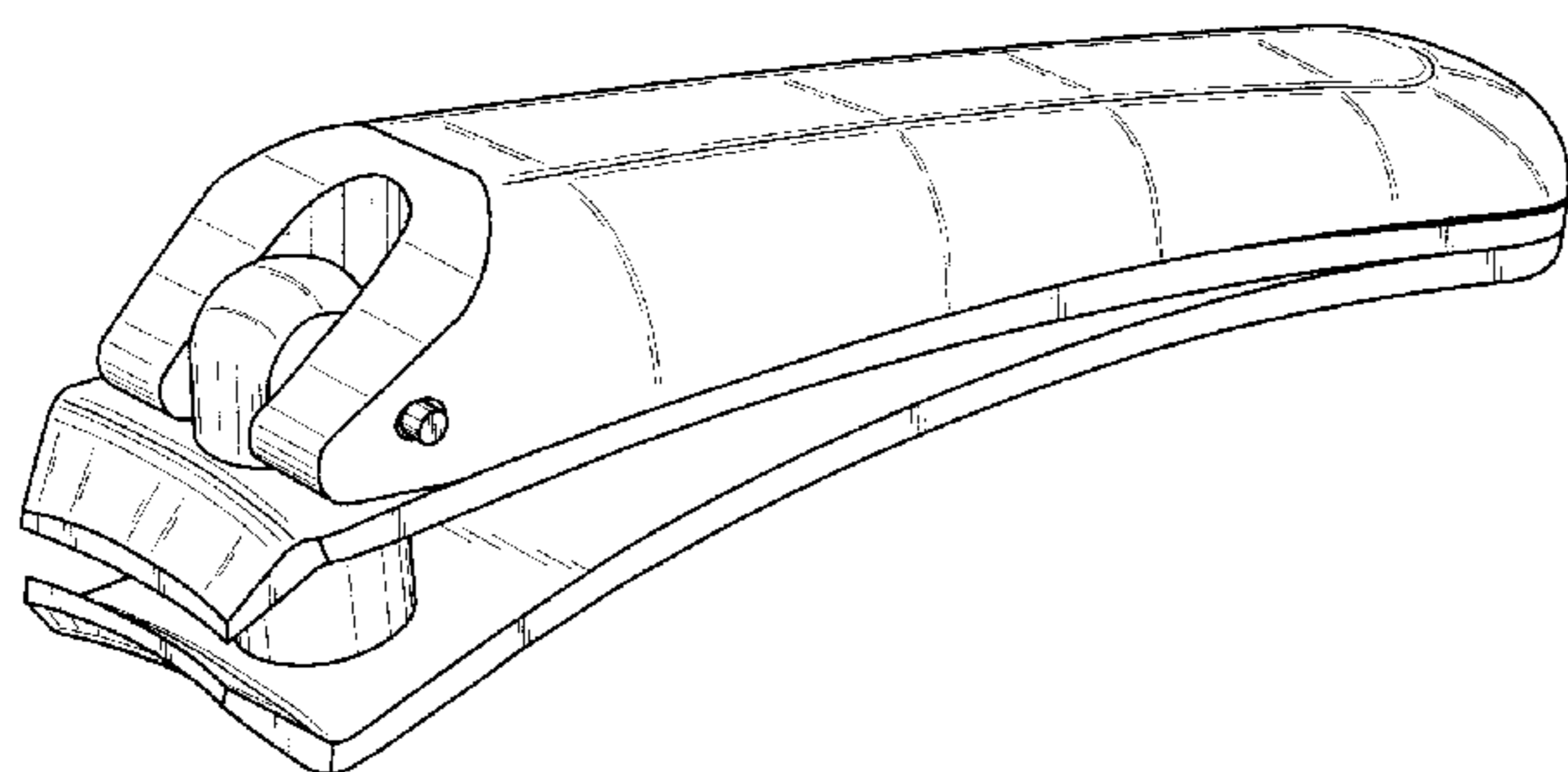
FIG. 1 is a perspective view of the top, front and right side of nail clippers showing my new design;
FIG. 2 is a front elevational view thereof;
FIG. 3 is a rear elevational view thereof;
FIG. 4 is a right side elevational view thereof;
FIG. 5 is a left side elevational view thereof;
FIG. 6 is a top plan view thereof;
FIG. 7 is a bottom plan view thereof; and,
FIG. 8 is a perspective view similar to FIG. 1 in the open, operative condition.

(56) **References Cited**

U.S. PATENT DOCUMENTS

D413,412 S * 8/1999 Chiu D28/60

1 Claim, 5 Drawing Sheets



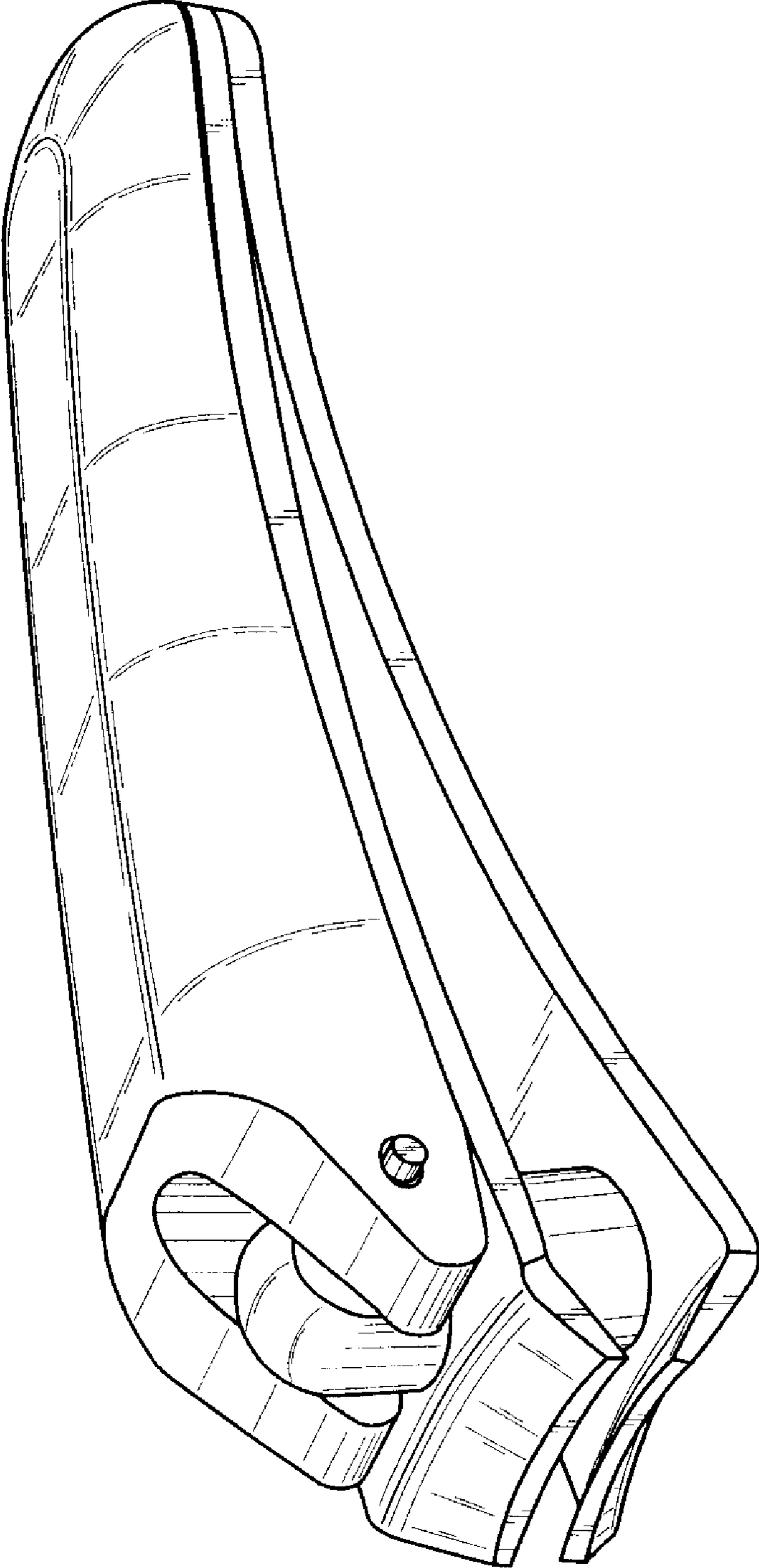


Fig. 1

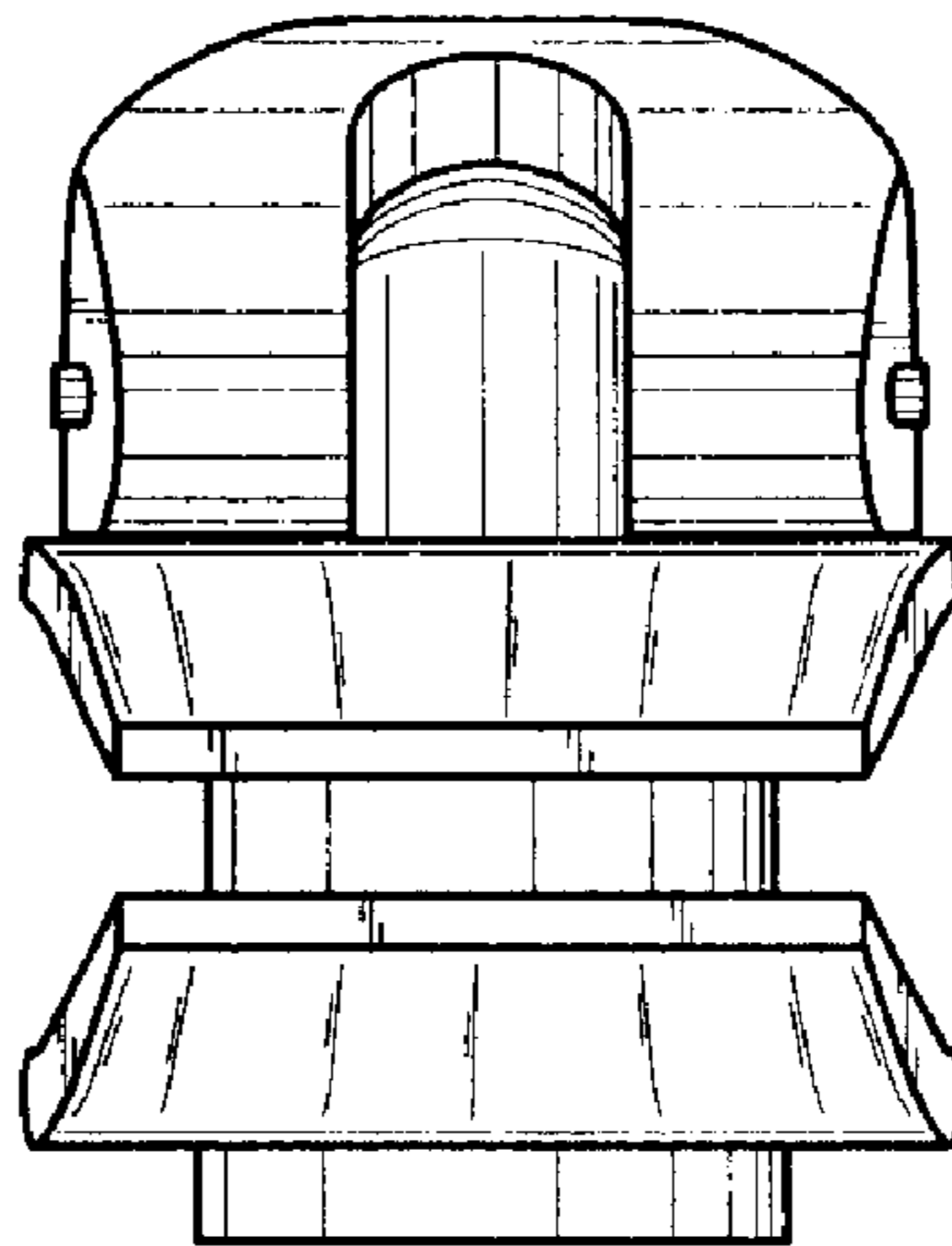


Fig. 2

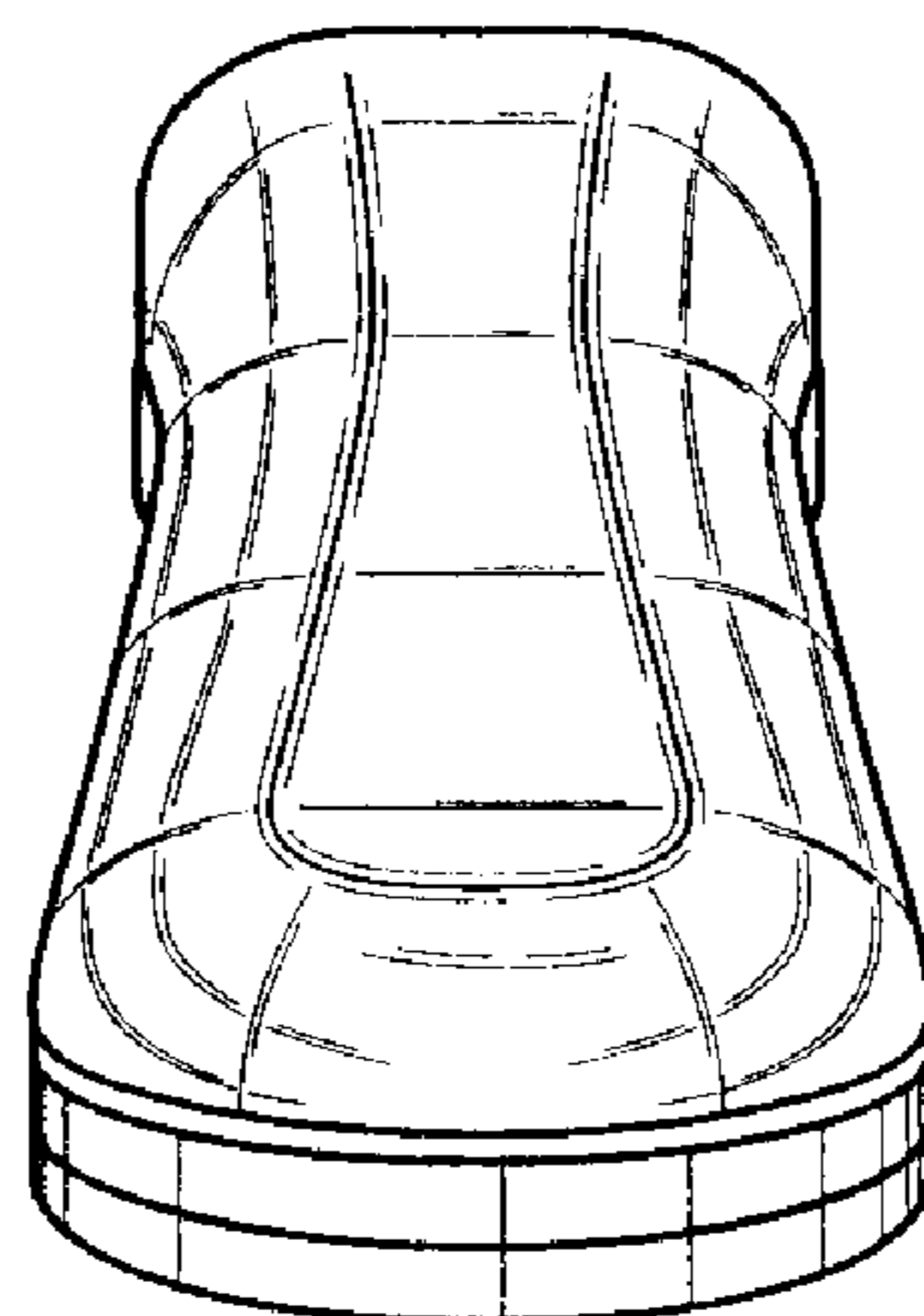


Fig. 3

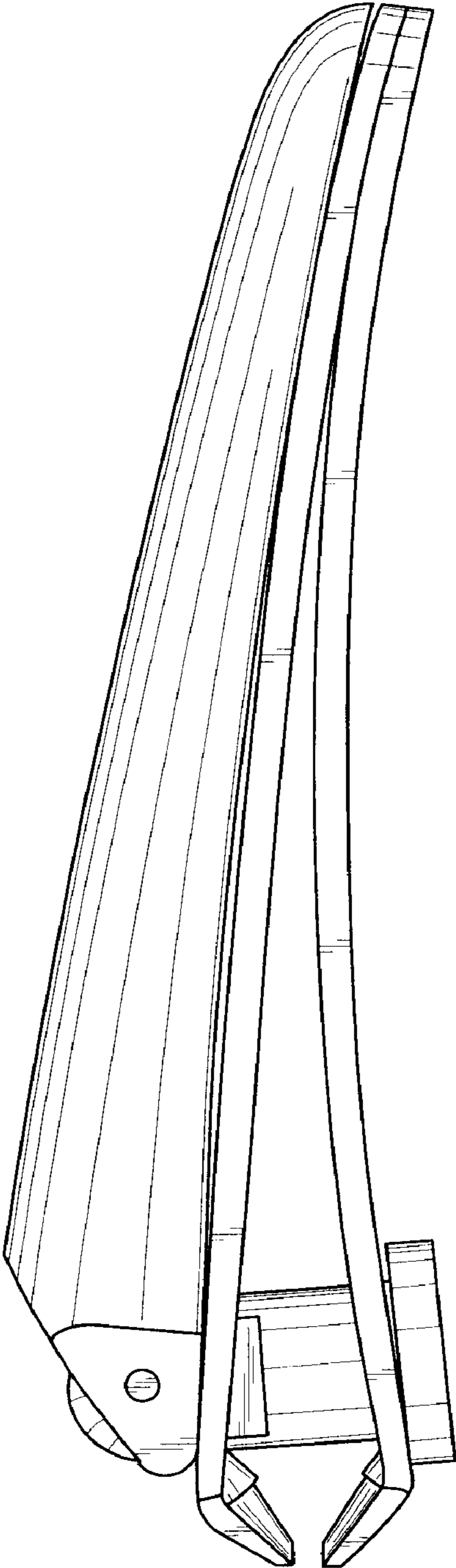


Fig. 4

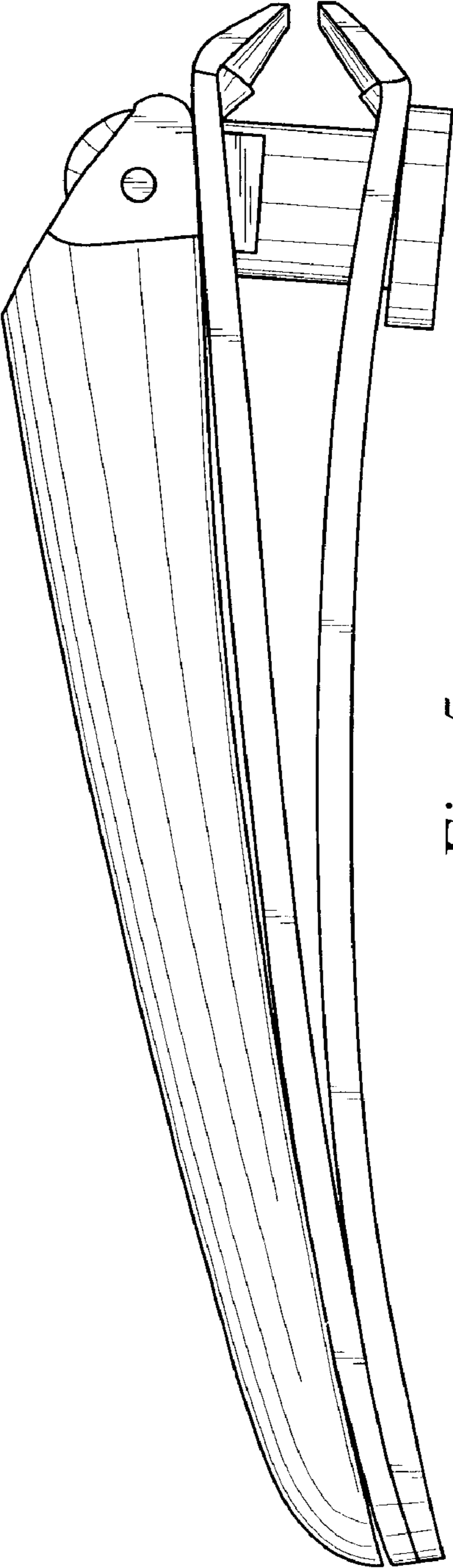


Fig. 5

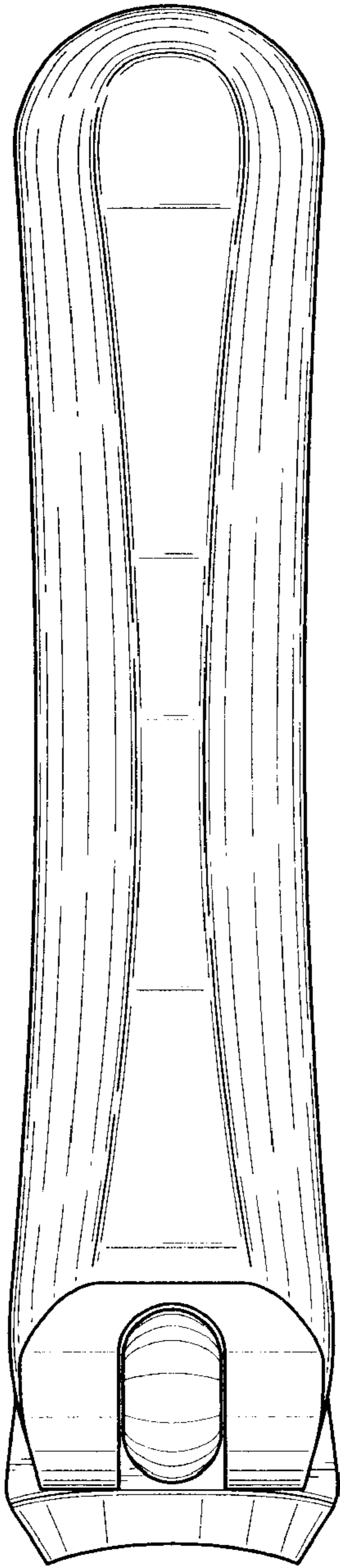


Fig. 6

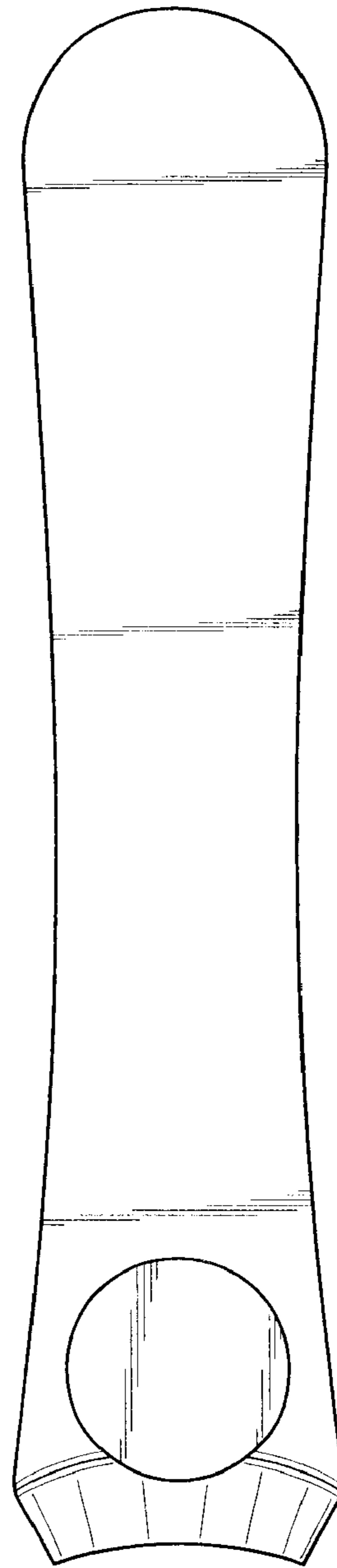


Fig. 7

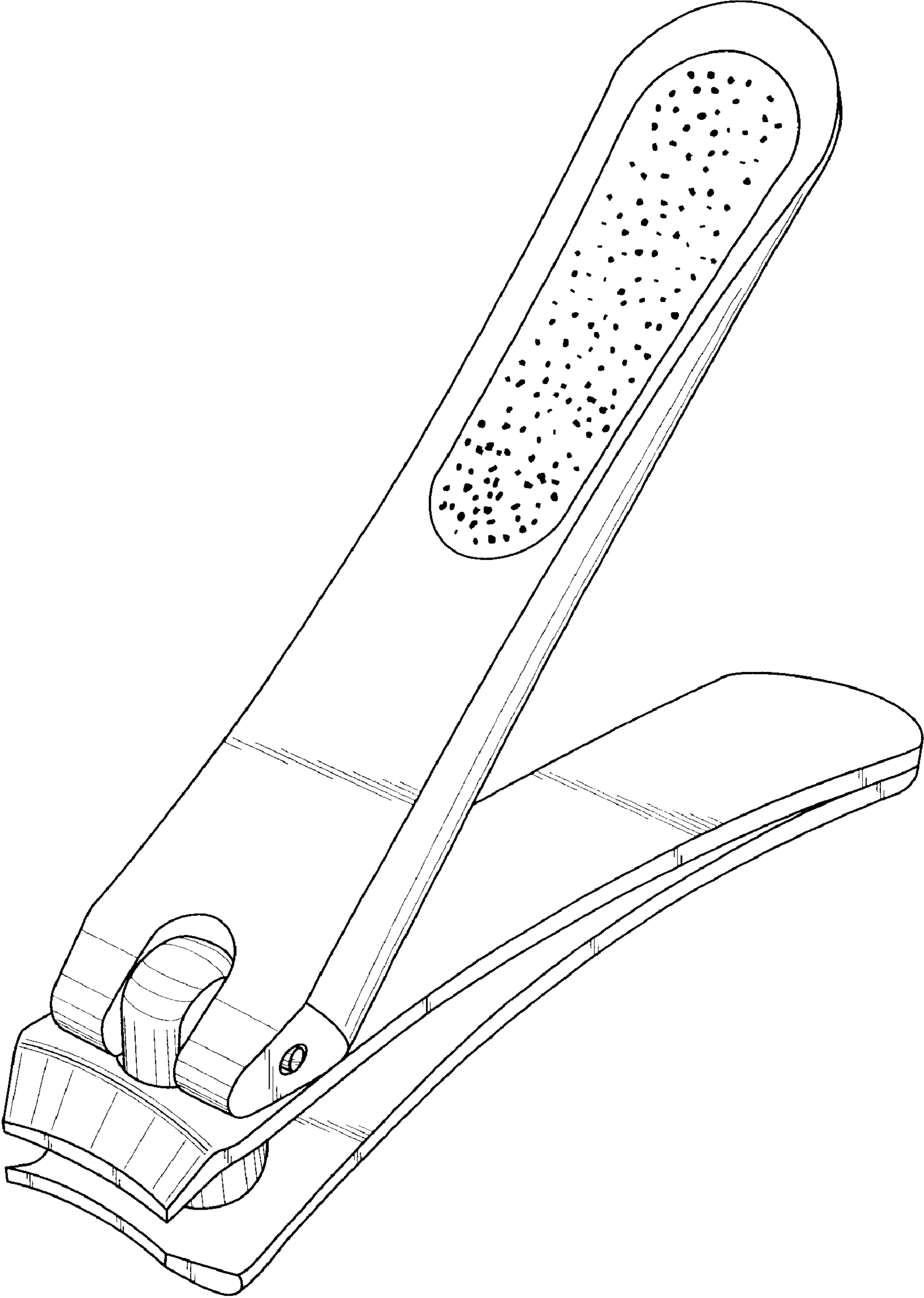


Fig. 8