

US00D517730S

(12) **United States Design Patent**  
**Bauwens**

(10) **Patent No.:** **US D517,730 S**  
(45) **Date of Patent:** **\*\* Mar. 21, 2006**

(54) **HAIR CLIPPER**  
(75) **Inventor:** **Erwin Bauwens, Oudenaarde (BE)**

5,678,312 A \* 10/1997 Watanabe ..... 30/43.92  
5,701,673 A \* 12/1997 Ullmann et al. .... 30/34.1  
6,226,869 B1 \* 5/2001 Heintke et al. .... 30/34.1

(73) **Assignee:** **Sinelco International, Naamloze Vennootschap, Oudenaarde (BE)**

\* cited by examiner

(\*\*) **Term:** **14 Years**

*Primary Examiner*—Jennifer Rivard  
(74) *Attorney, Agent, or Firm*—Bacon & Thomas, PLLC

(21) **Appl. No.:** **29/223,913**

(57) **CLAIM**

(22) **Filed:** **Feb. 23, 2005**

The ornamental design for a hair clipper, as shown.

(30) **Foreign Application Priority Data**

**DESCRIPTION**

Aug. 23, 2004 (EM) ..... 000217559

(51) **LOC (8) Cl.** ..... **28-03**

FIG. 1 is a perspective view of a hair clipper, showing my new design;

(52) **U.S. Cl.** ..... **D28/53**

FIG. 2 is a top plan view thereof;

(58) **Field of Classification Search** ..... D28/49-54;  
30/32, 34.05, 34.1, 34.2, 35, 41.9, 43.1-43.9,  
30/43.91, 43.92, 42, 44-46, 527, 196, 201,  
30/223, 233, 233.5

FIG. 3 is a bottom plan view thereof;

FIG. 4 is a rear elevational view thereof;

See application file for complete search history.

FIG. 5 is a front view thereof;

FIG. 6 is a right side view thereof; and,

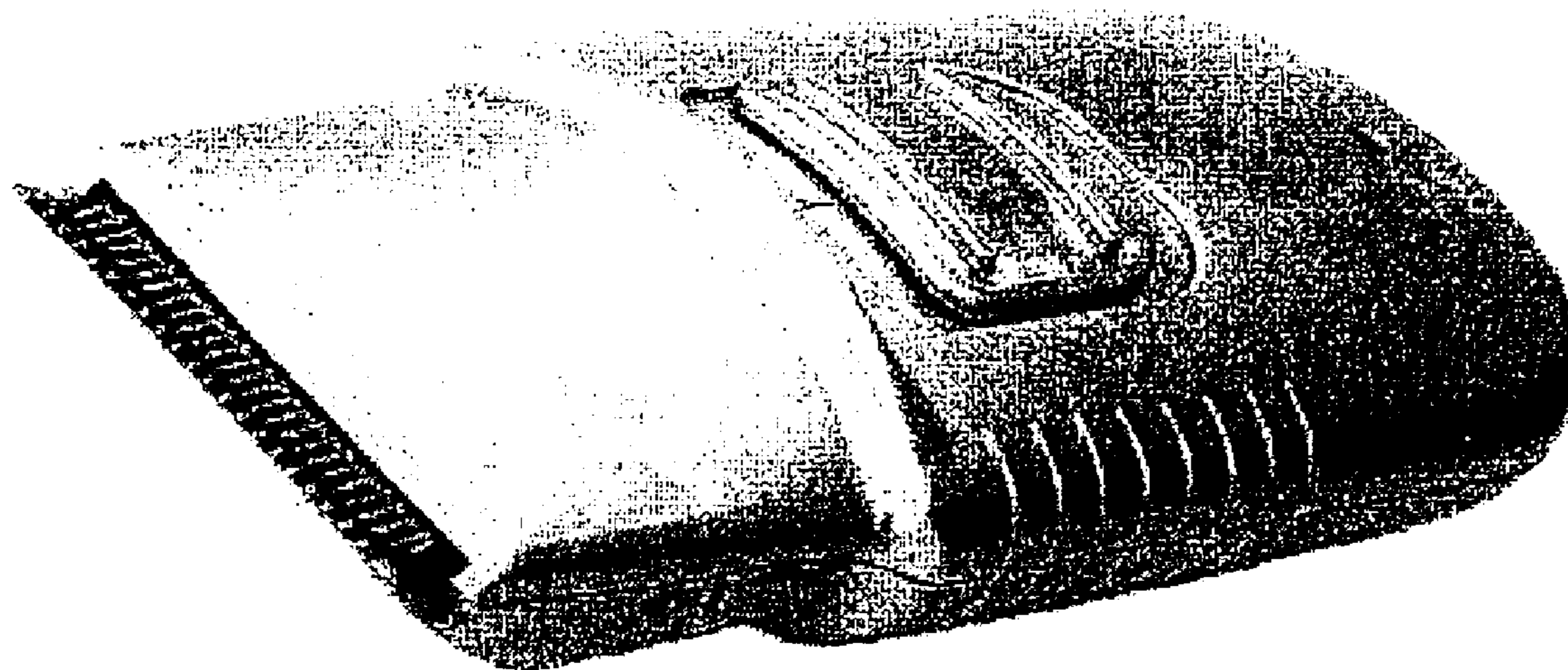
FIG. 7 is a left side view thereof.

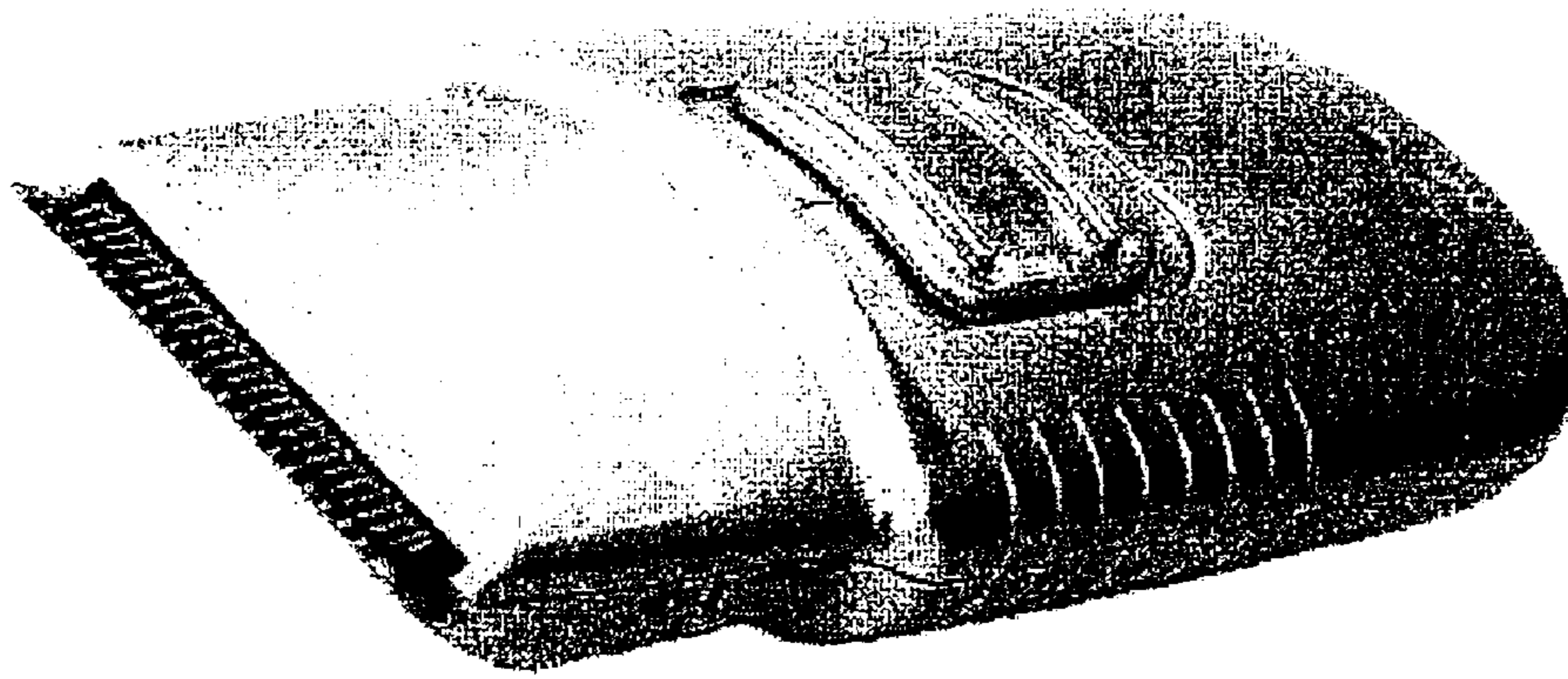
(56) **References Cited**

**U.S. PATENT DOCUMENTS**

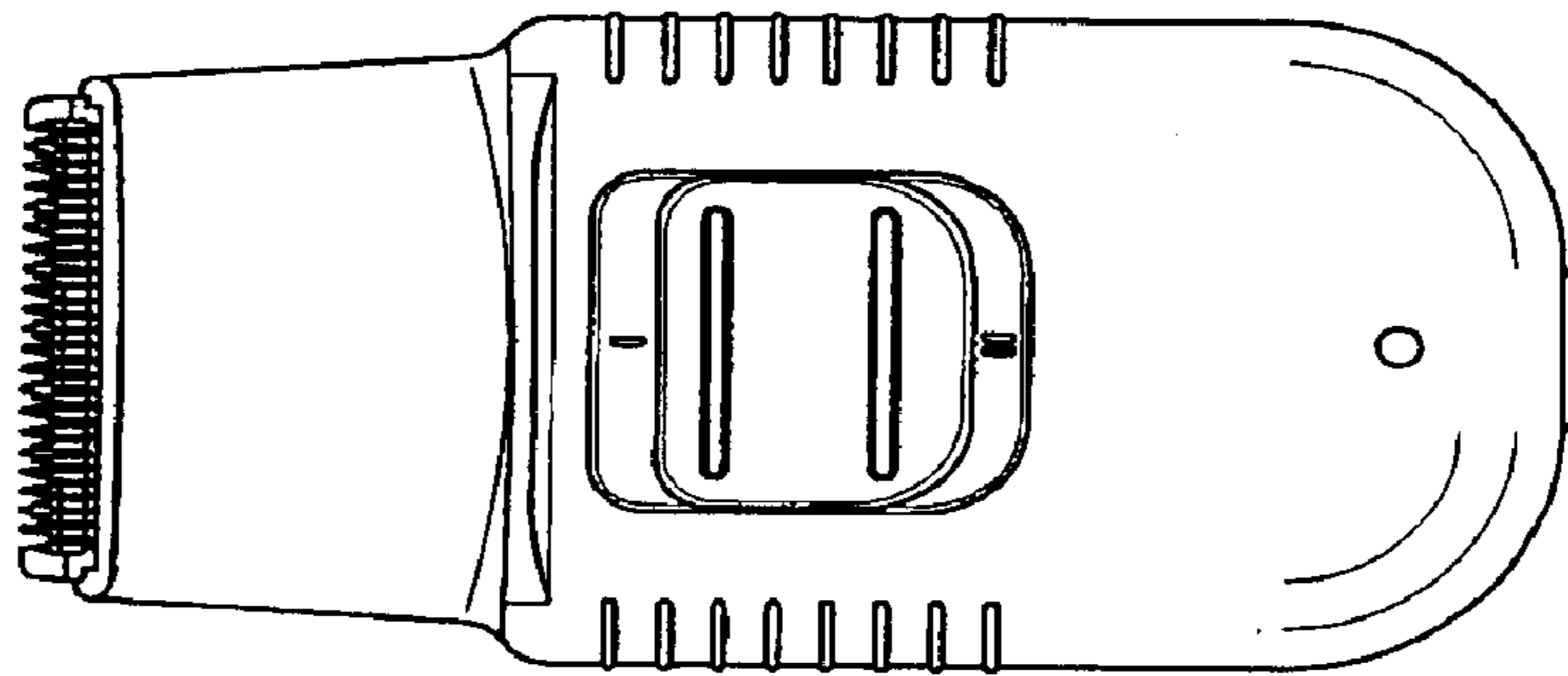
5,131,148 A \* 7/1992 Wahl ..... 30/43.92

**1 Claim, 2 Drawing Sheets**

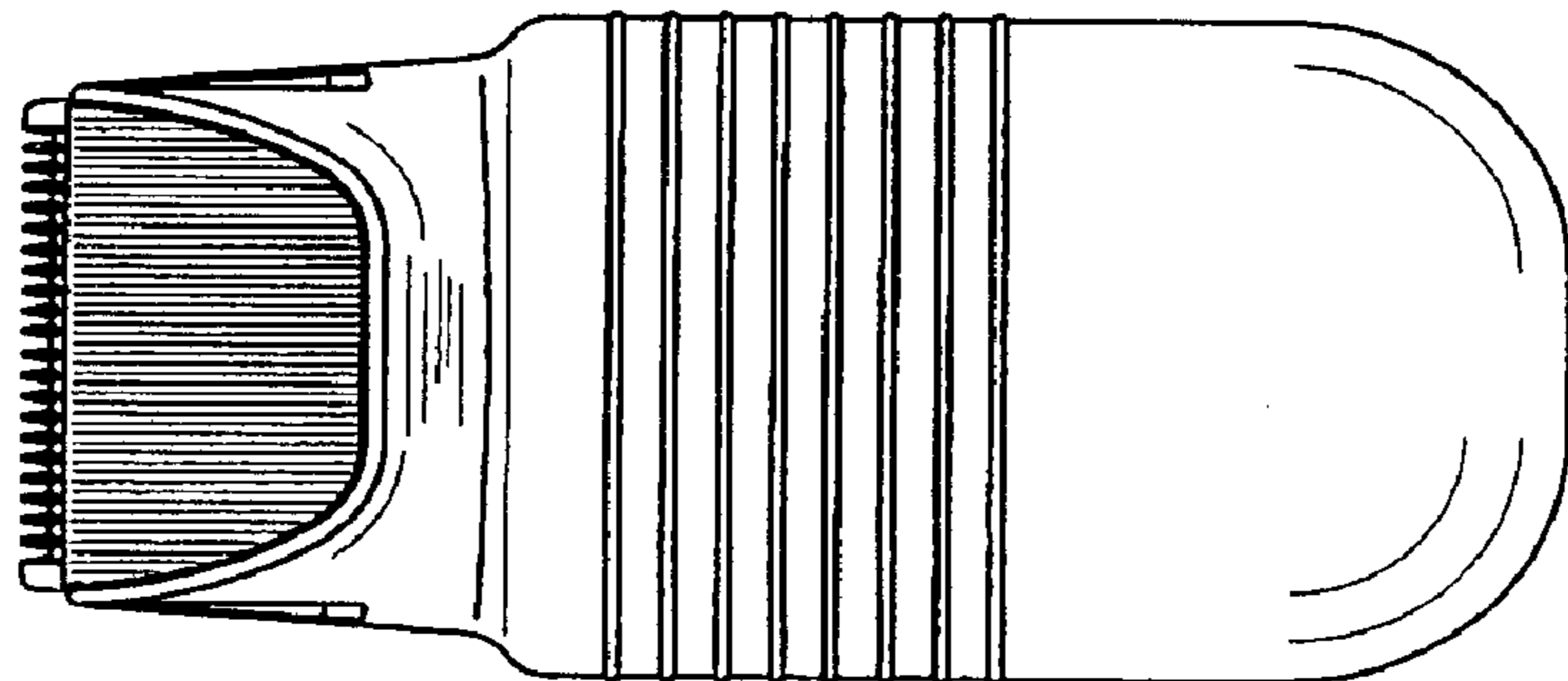




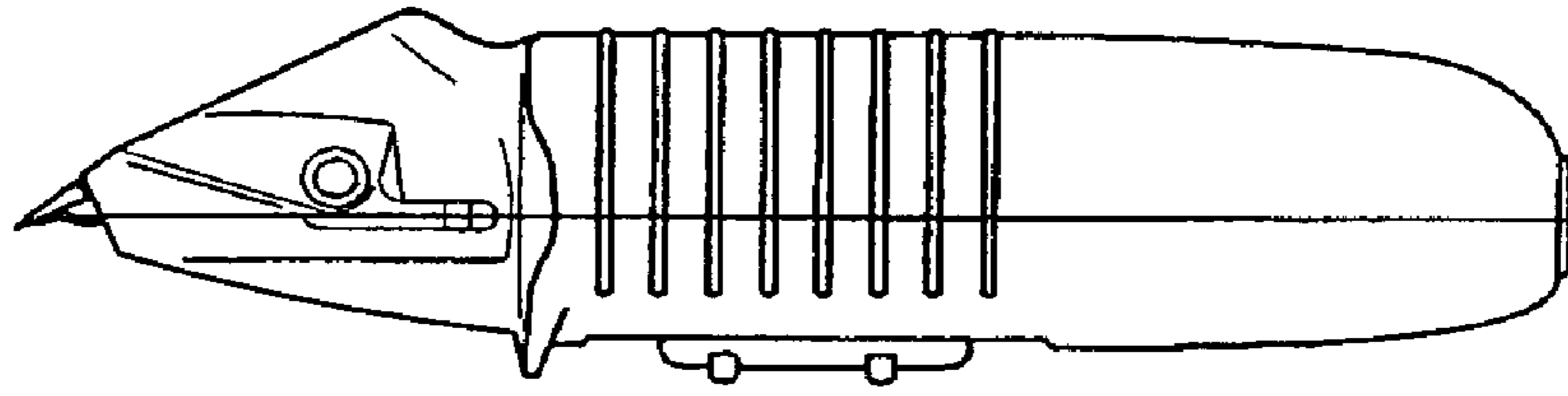
*Fig. 1*



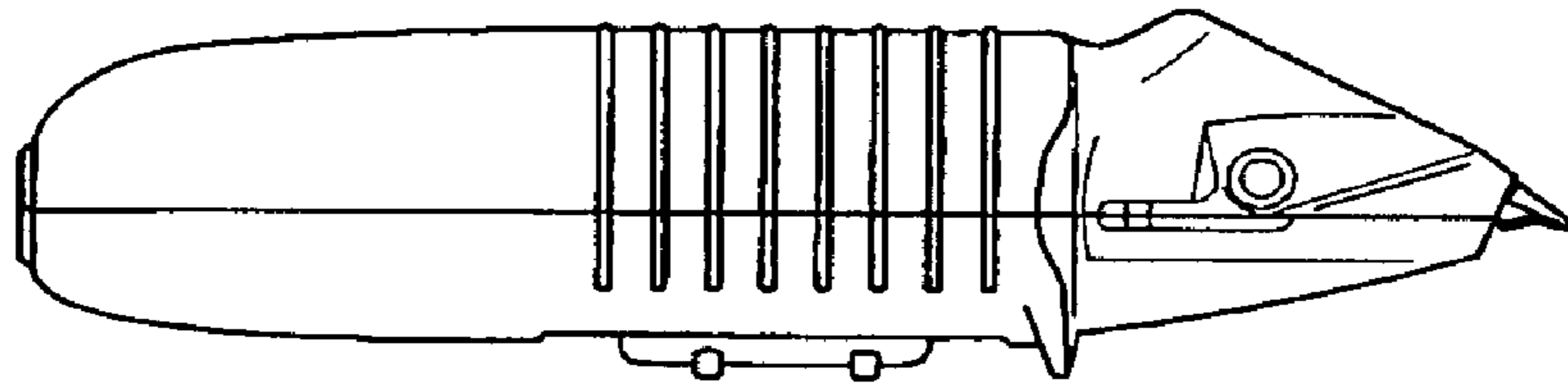
*Fig. 2*



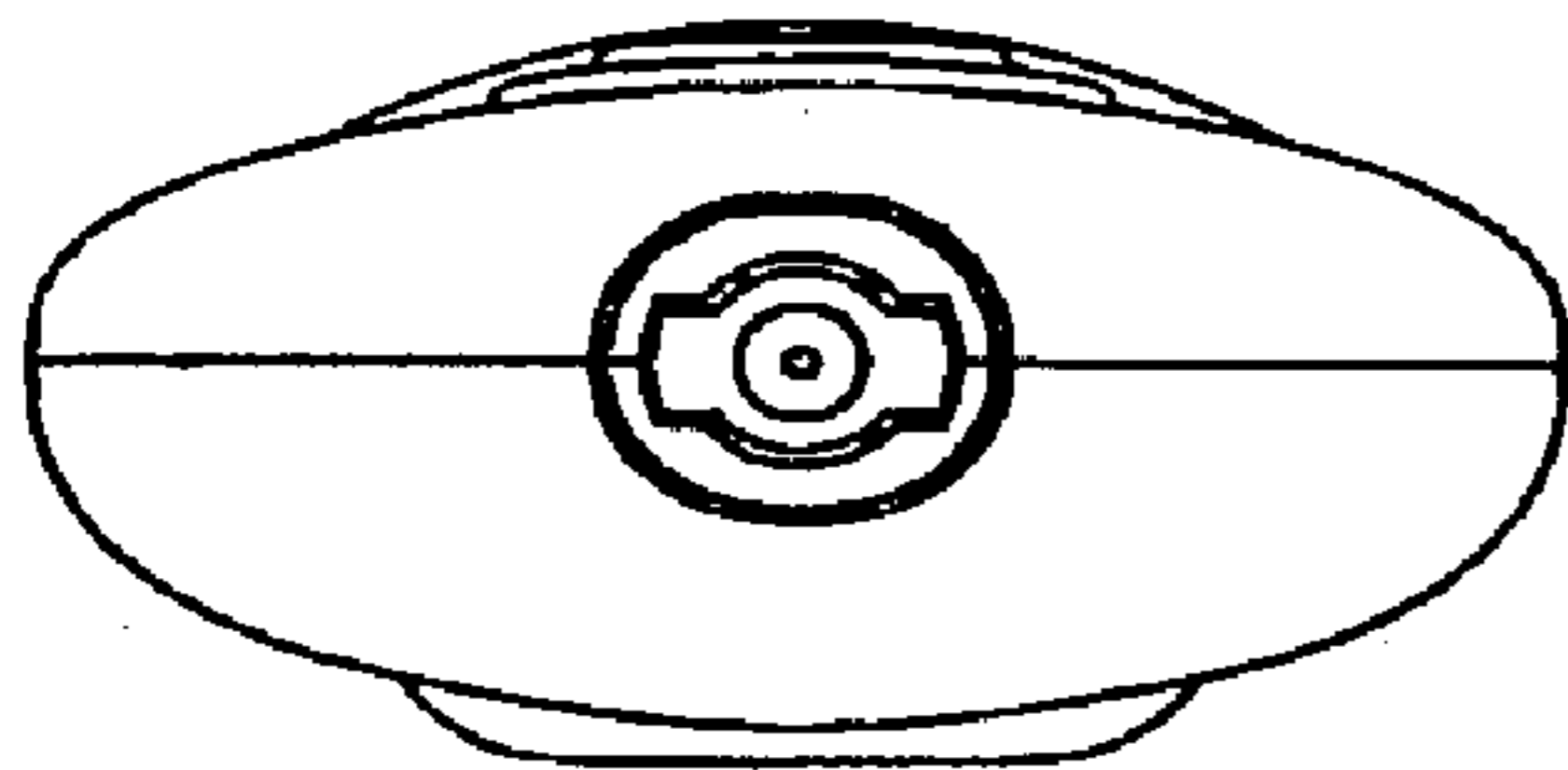
*Fig. 3*



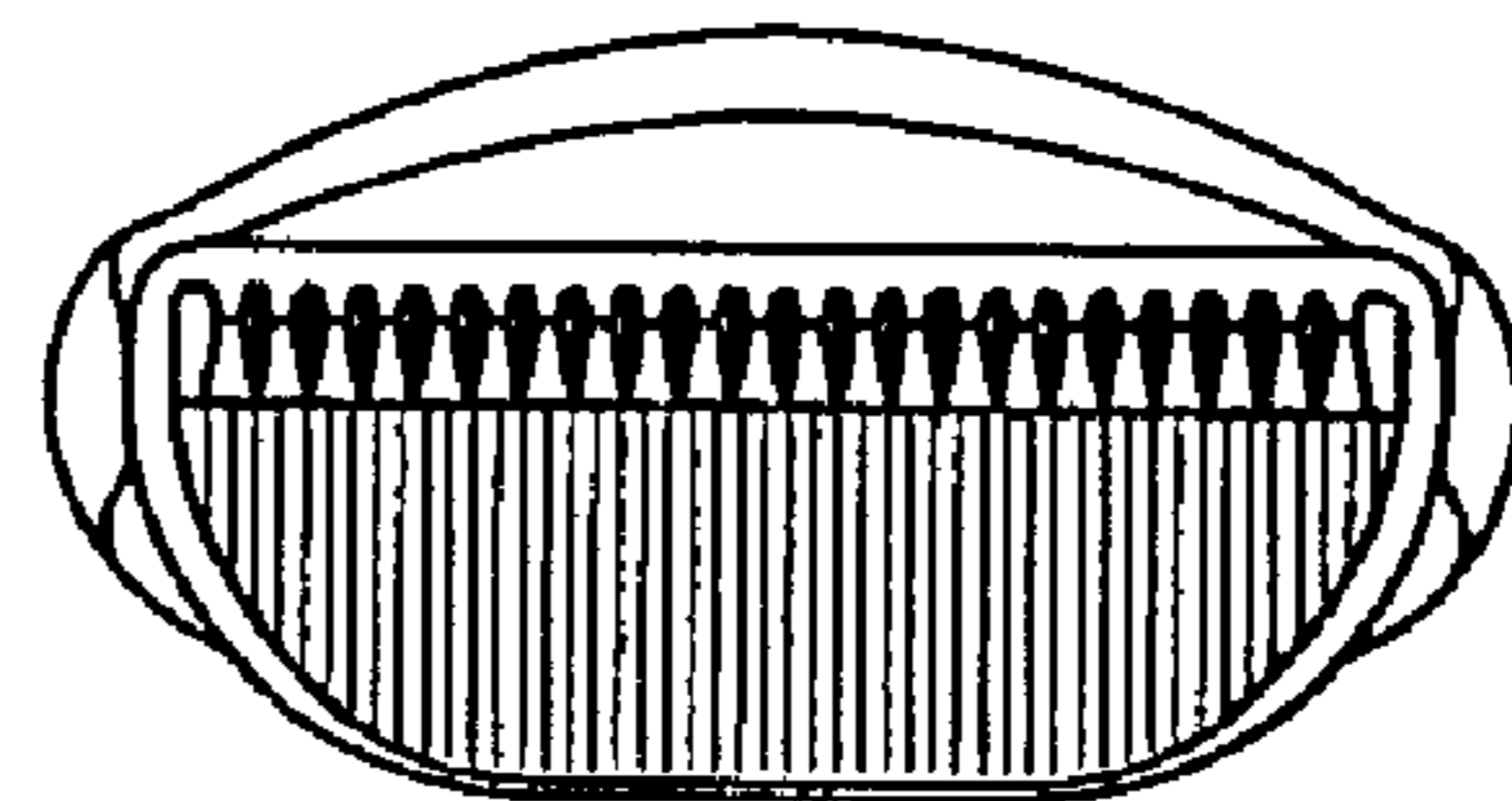
*Fig. 4*



*Fig. 5*



*Fig. 6*



*Fig. 7*