



US00D517716S

(12) **United States Design Patent**  
**Bucher et al.**

(10) **Patent No.:** **US D517,716 S**  
(45) **Date of Patent:** **\*\* Mar. 21, 2006**

(54) **LAMP**

(75) Inventors: **John C. Bucher**, Ft. Lauderdale, FL (US); **Shou-Pyng Wang**, Taichung (TW); **Tien S. Lowe**, Ft. Lauderdale, FL (US)

(73) Assignee: **King of Fans, Inc.**, Ft. Lauderdale, FL (US)

(\*\*) Term: **14 Years**

(21) Appl. No.: **29/224,269**

(22) Filed: **Feb. 28, 2005**

(51) **LOC (8) Cl.** ..... **26-05**

(52) **U.S. Cl.** ..... **D26/67**

(58) **Field of Classification Search** ..... D26/67-71,  
D26/85; 362/153, 153.1, 183-185, 362, 363,  
362/431, 805

See application file for complete search history.

(56) **References Cited**

**U.S. PATENT DOCUMENTS**

5,649,760 A \* 7/1997 Beadle ..... 362/270

D443,941 S \* 6/2001 Boeckley ..... D26/67  
D464,158 S \* 10/2002 Hon Siu Cheong ..... D26/67  
D495,445 S \* 8/2004 Cooper et al. .... D26/67  
D506,020 S \* 6/2005 Chen ..... D26/68

\* cited by examiner

*Primary Examiner*—Clare E Hefflin

(74) *Attorney, Agent, or Firm*—Akin Gump Strauss Hauer & Feld, LLP

(57) **CLAIM**

The ornamental design for a lamp, as shown and described.

**DESCRIPTION**

FIG. 1 is a perspective view of lamp showing my new design;

FIG. 2 is a front elevational view thereof;

FIG. 3 is a rear elevational view thereof;

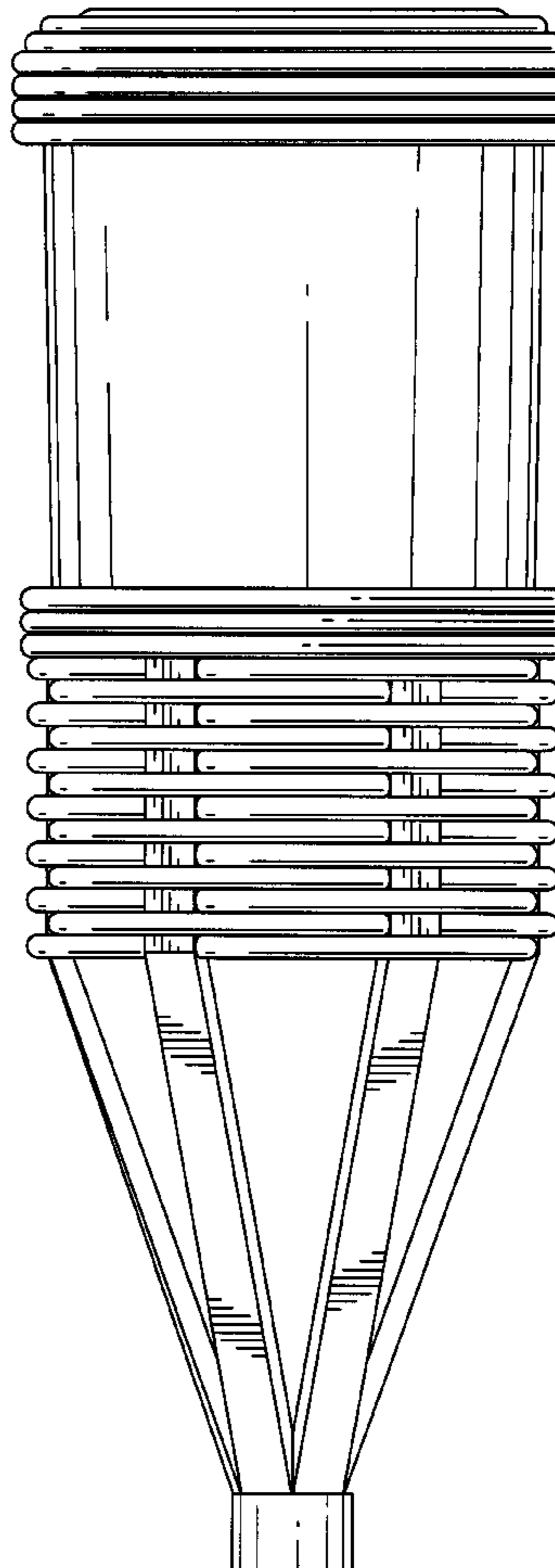
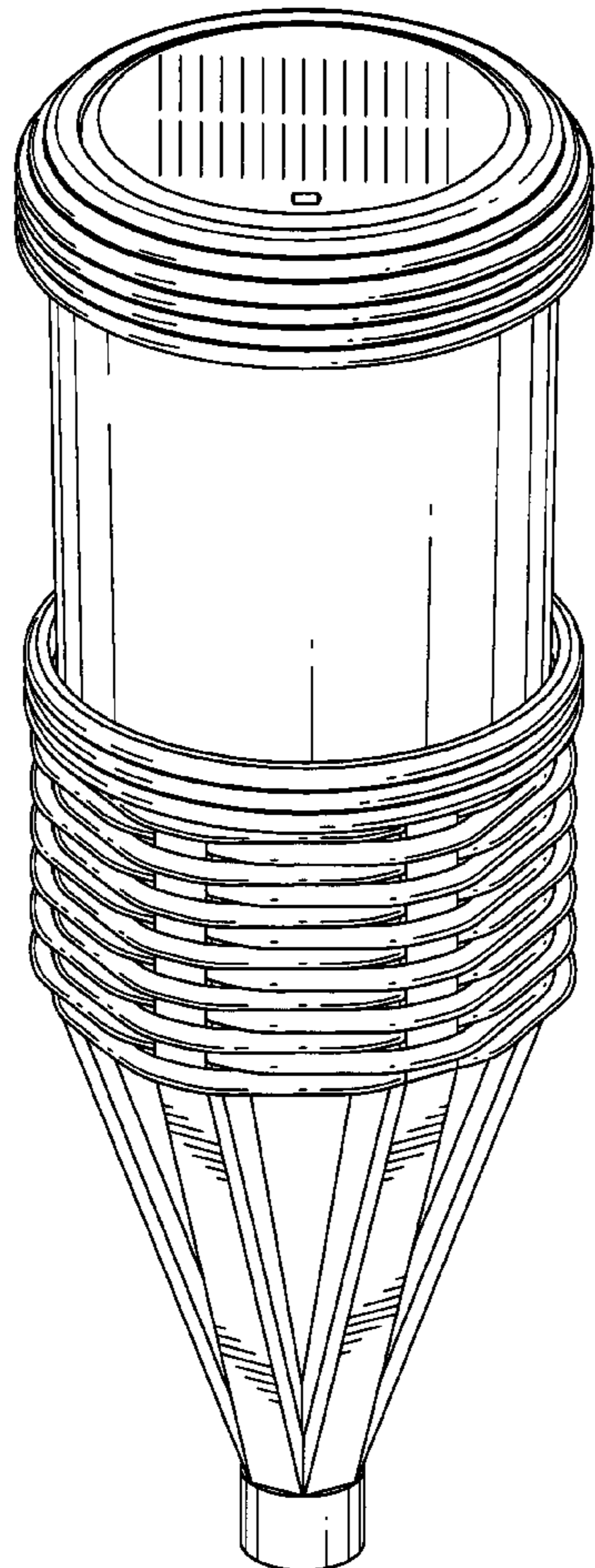
FIG. 4 is a left side elevational view thereof;

FIG. 5 is a right side elevational view thereof;

FIG. 6 is a top plan view thereof; and,

FIG. 7 is a bottom plan view thereof.

**1 Claim, 6 Drawing Sheets**



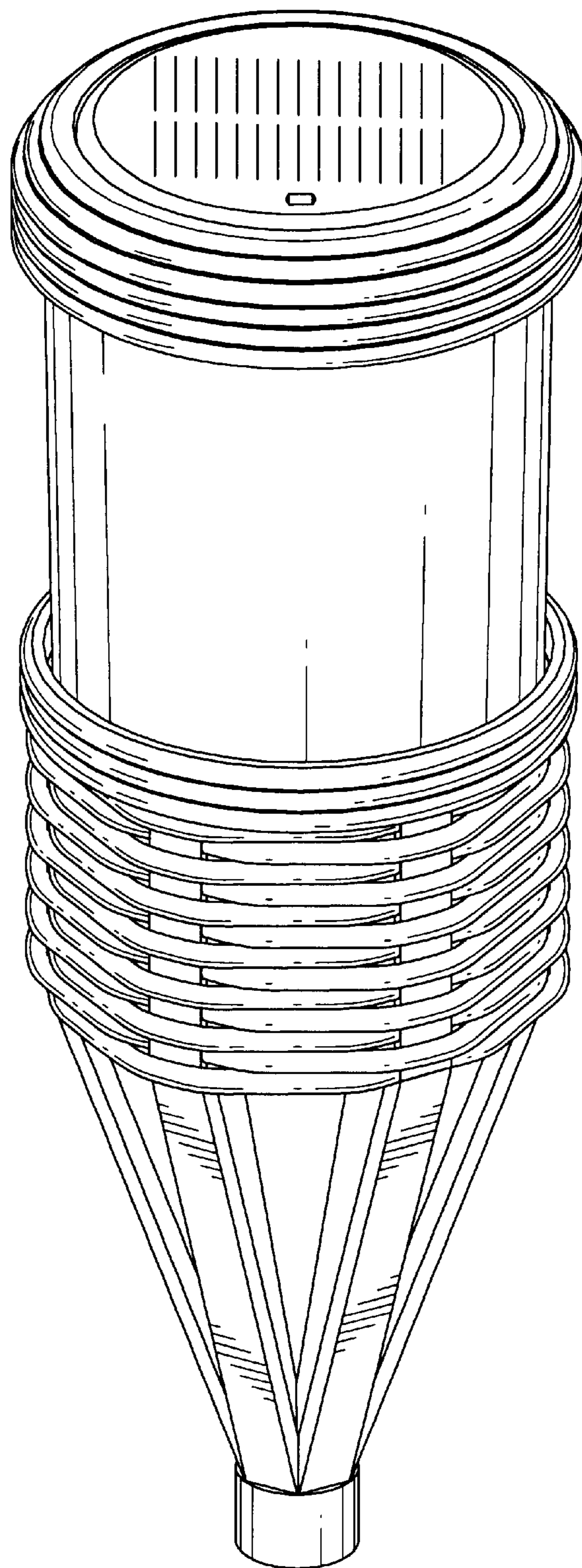


FIG. 1

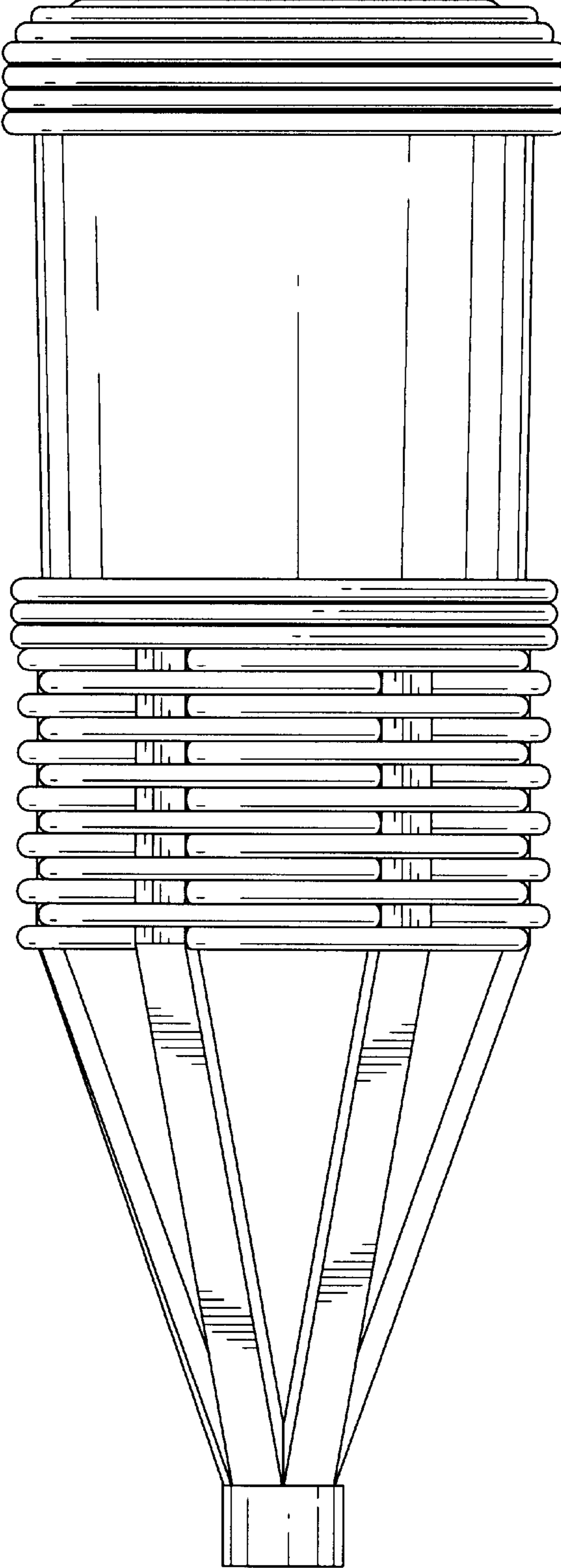


FIG. 2

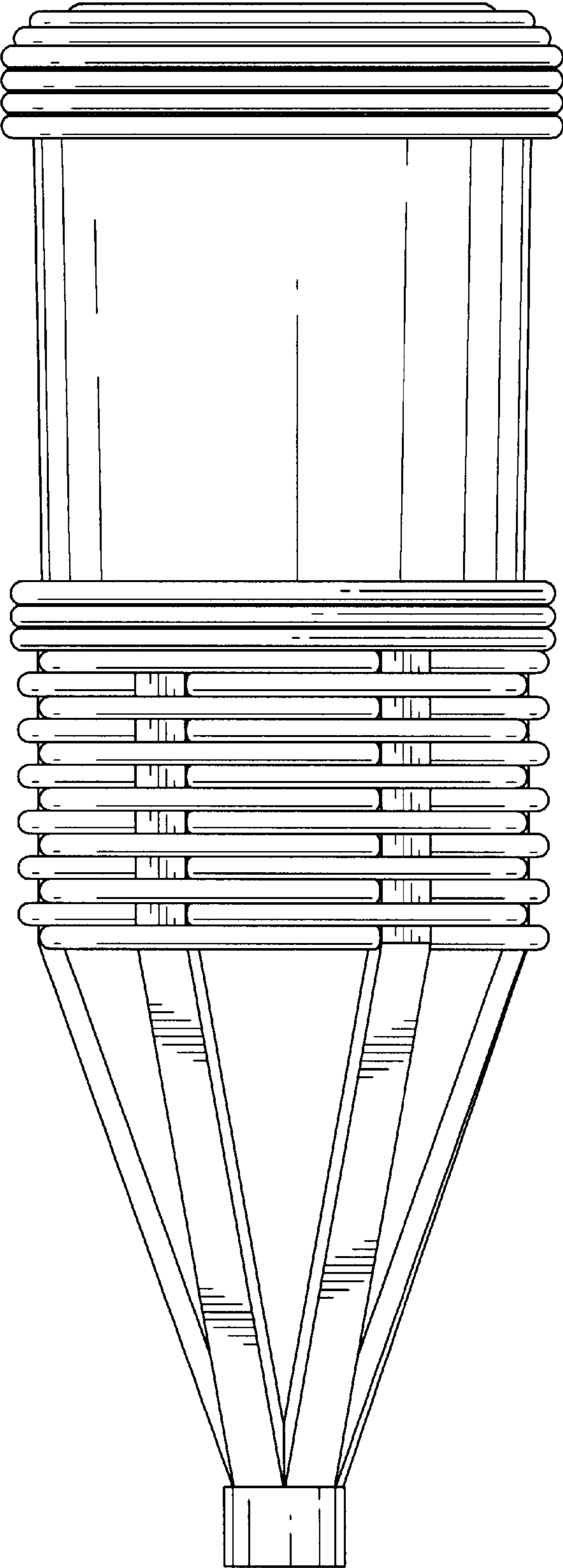


FIG. 3

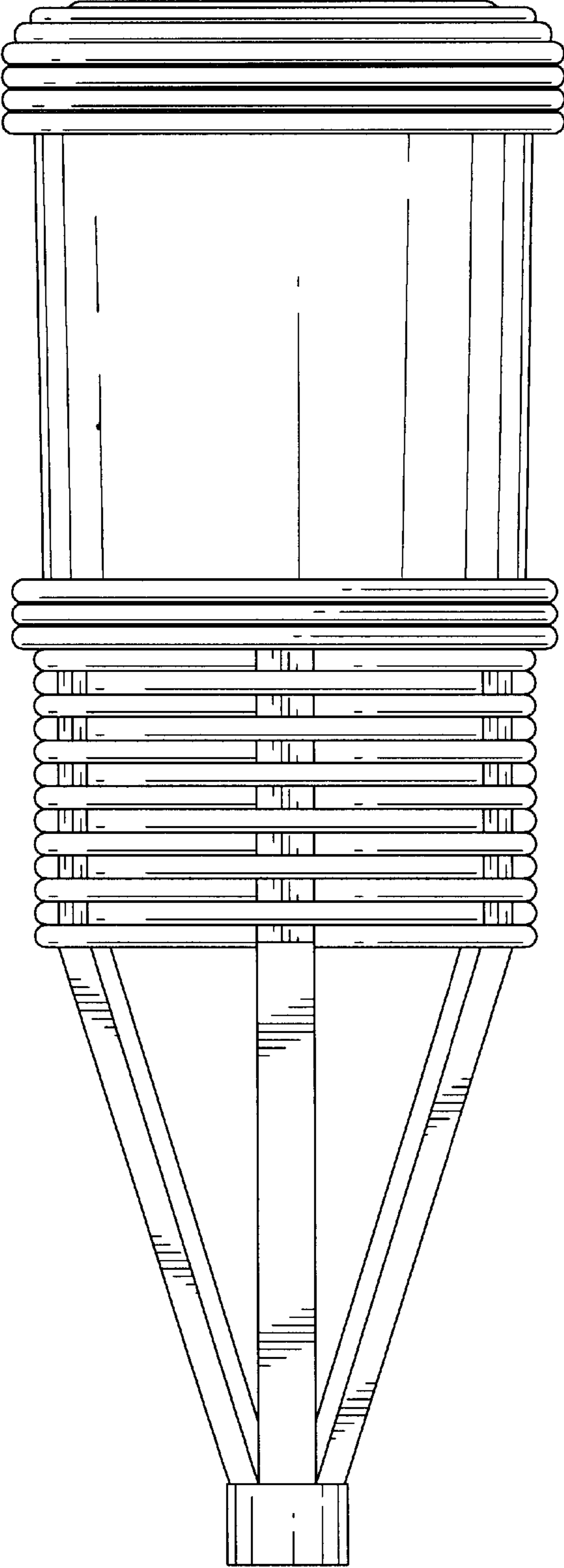


FIG. 4

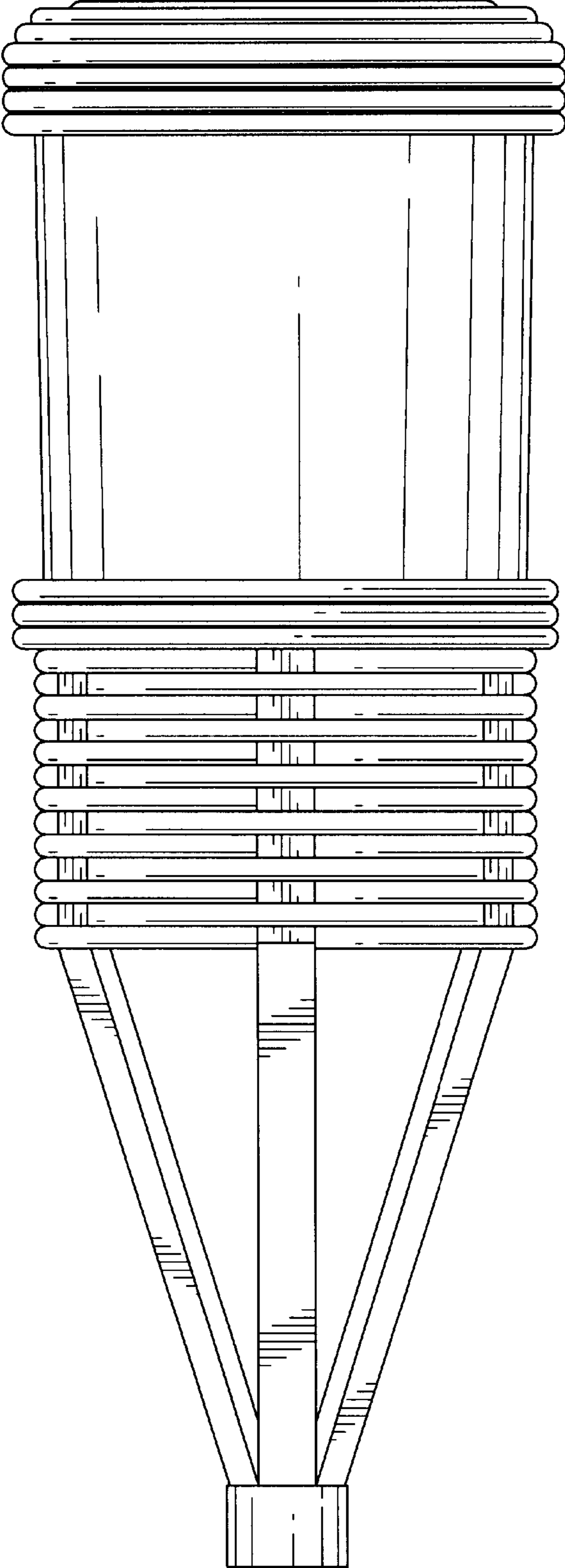


FIG. 5



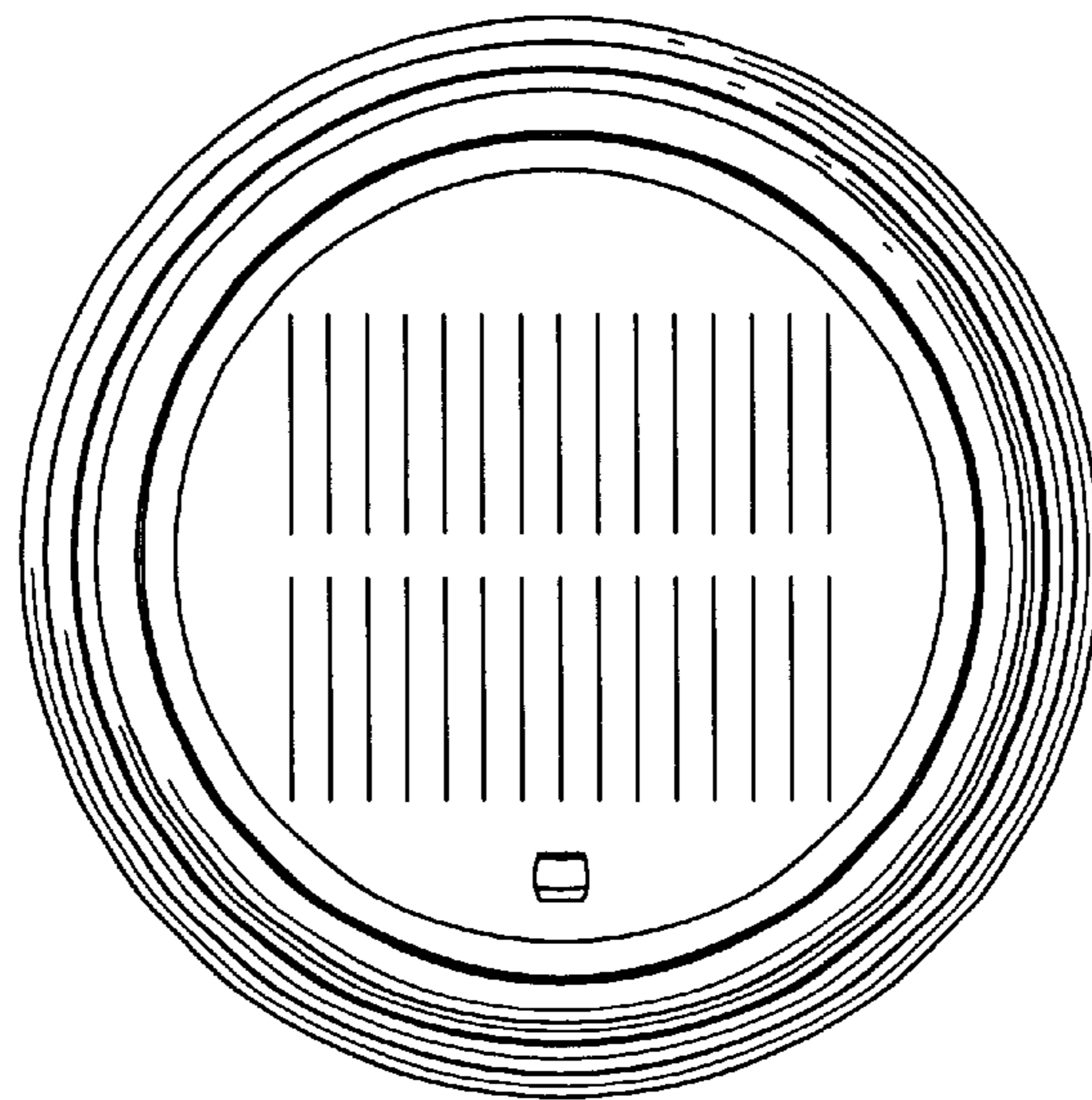


FIG. 6

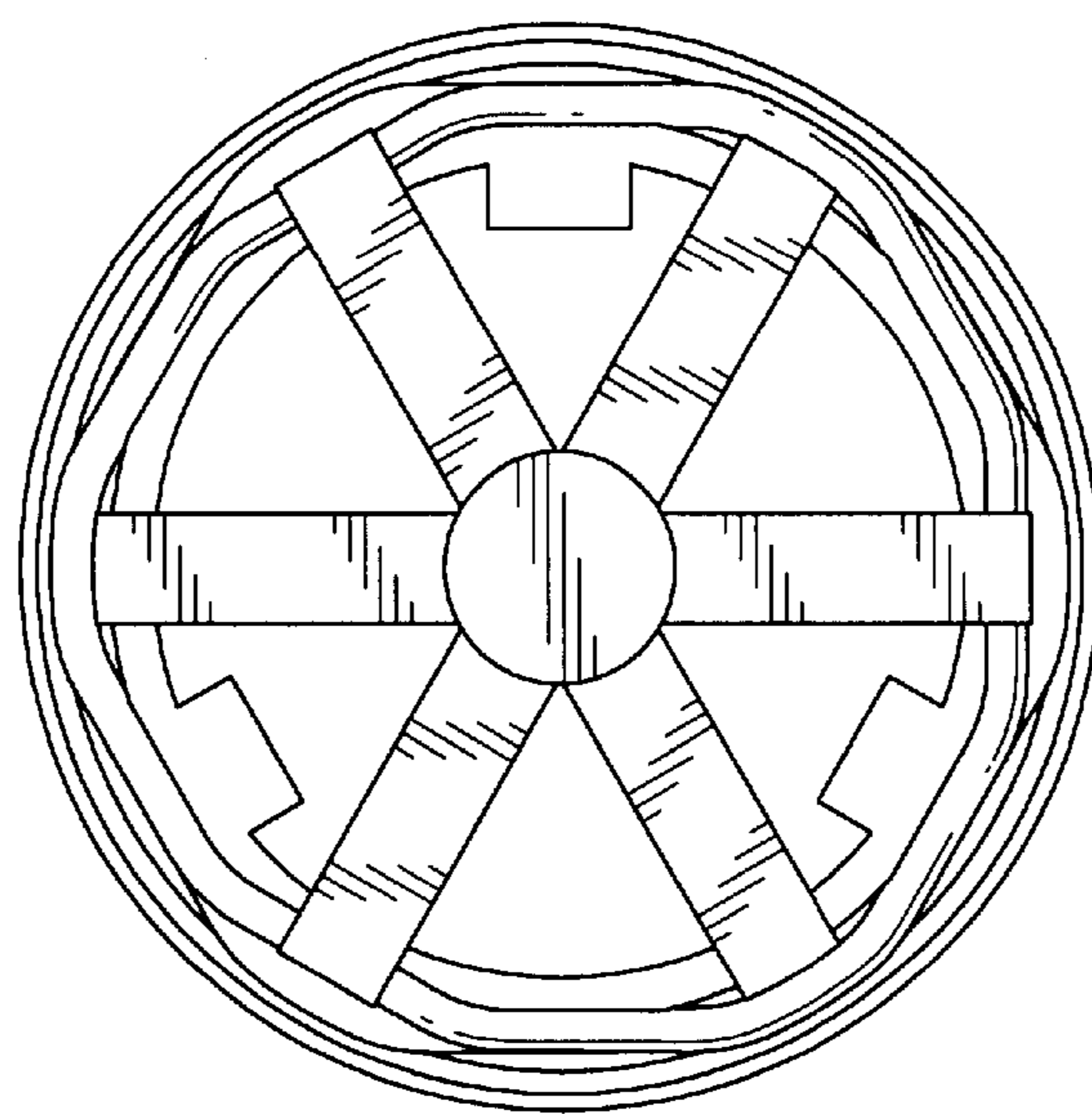


FIG. 7