



US00D517713S

(12) **United States Design Patent**
Waldmann

(10) **Patent No.:** **US D517,713 S**
(45) **Date of Patent:** **** Mar. 21, 2006**

(54) **LAMP**

(75) **Inventor:** **Gerhard Waldmann, Dauchingen (DE)**

(73) **Assignee:** **Herbert Waldmann GmbH & Co. (DE)**

(**) **Term:** **14 Years**

(21) **Appl. No.:** **29/179,384**

(22) **Filed:** **Apr. 9, 2003**

(30) **Foreign Application Priority Data**

Oct. 10, 2002 (DE) 4 02 08 397

(51) **LOC (8) Cl.** **26-05**

(52) **U.S. Cl.** **D26/60; D26/65**

(58) **Field of Classification Search** D26/60-66,
D26/93, 102-112; 362/267, 269, 271, 272,
362/273, 276, 282, 283, 285, 287, 410-414,
362/418, 419, 427

See application file for complete search history.

(56) **References Cited**

U.S. PATENT DOCUMENTS

- 4,165,530 A * 8/1979 Sowden 362/401
- 4,298,921 A * 11/1981 Krogsrud et al. 362/346
- D282,587 S * 2/1986 Shwisha D26/60
- D333,528 S * 2/1993 Blet D26/62
- D345,027 S * 3/1994 Huang D26/65
- D349,582 S * 8/1994 Bain et al. D26/61
- D352,125 S * 11/1994 Hayashibara D26/65

- D376,219 S * 12/1996 Heuel D26/62
- D378,859 S * 4/1997 Yumita et al. D26/65
- D385,052 S * 10/1997 Huang D26/60
- D408,568 S * 4/1999 Schaak D26/62
- D441,476 S * 5/2001 Mendelsohn et al. D26/63
- D486,938 S * 2/2004 Waldmann D26/60

OTHER PUBLICATIONS

Clip-On Computer Desk Lamp #93041R from ablighting-.com. ©2004. Found on internet May 24, 2004. 2 pages.*

* cited by examiner

Primary Examiner—Clare E Heflin

(74) *Attorney, Agent, or Firm*—Eugene E. Renz, Jr.

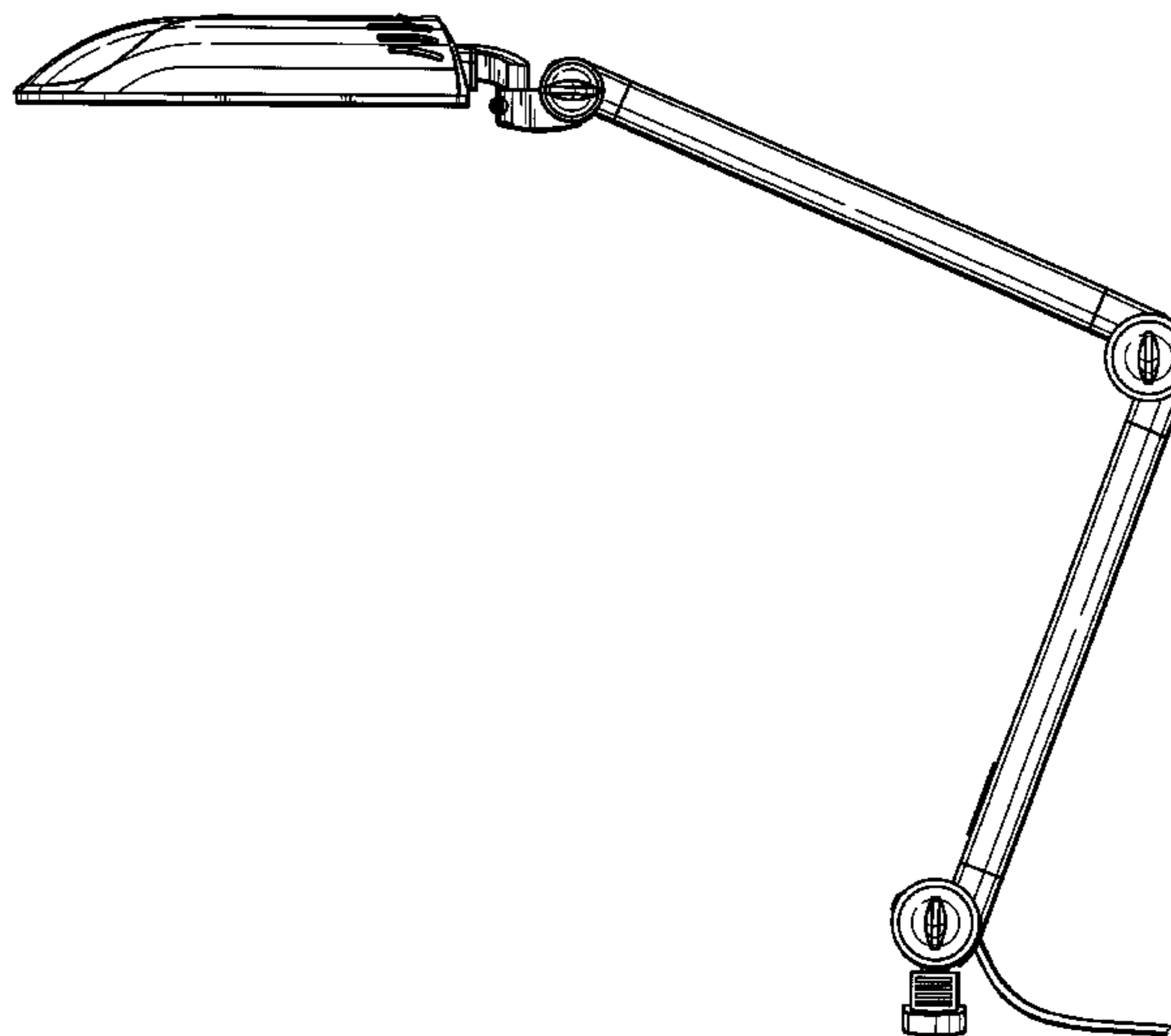
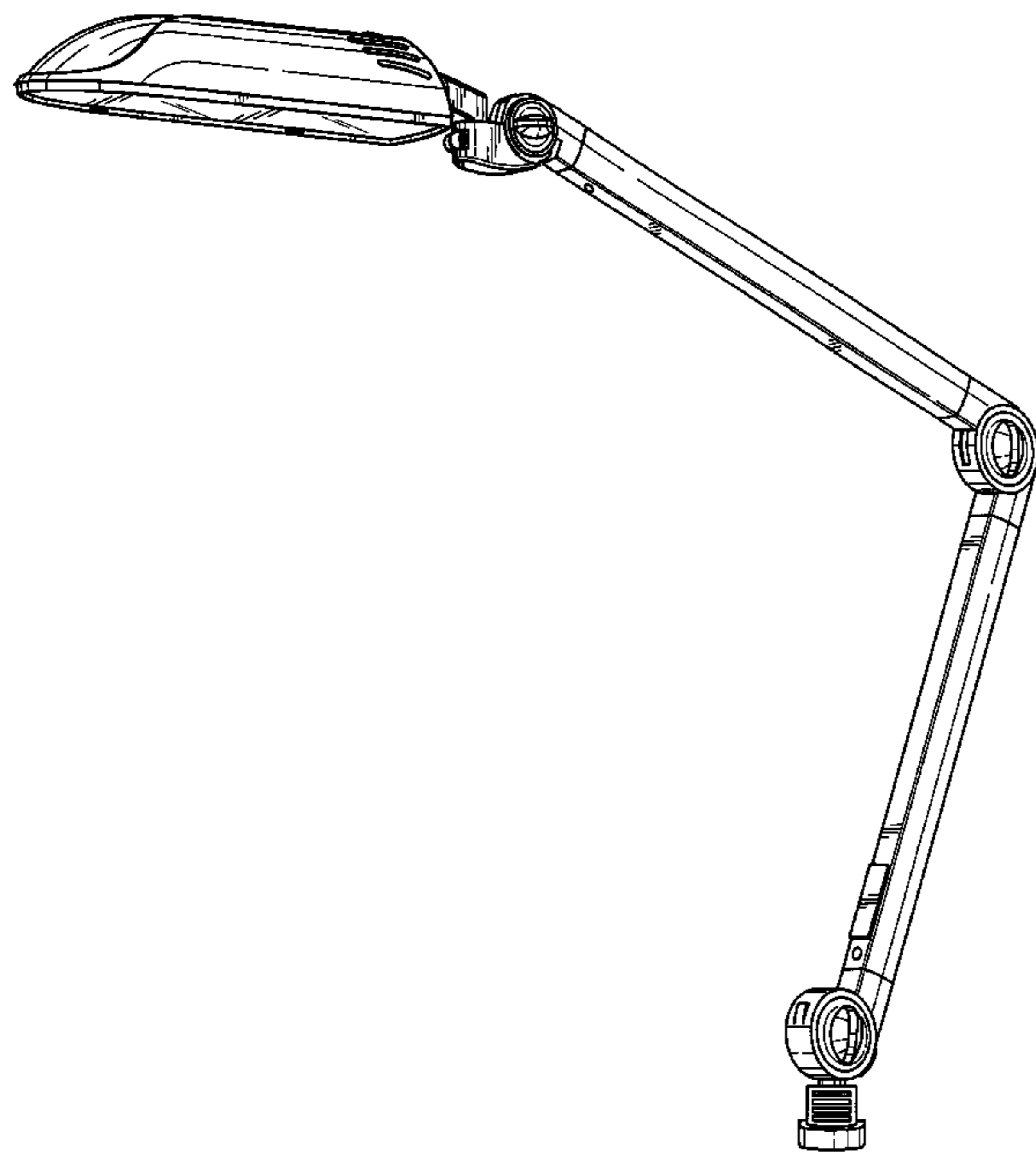
(57) **CLAIM**

The ornamental design for lamp, as shown and described.

DESCRIPTION

FIG. 1 is a perspective view of my new design for a lamp;
 FIG. 2 is a side elevational view of my new design for a lamp;
 FIG. 3 is a front elevational view of my new design for a lamp;
 FIG. 4 is a side elevational view of my new design for a lamp showing the side opposite that shown in FIG. 2;
 FIG. 5 is a rear elevational view of my new design for a lamp;
 FIG. 6 is a top plan view of my new design for a lamp; and,
 FIG. 7 is a bottom plan view of my new design for a lamp.

1 Claim, 7 Drawing Sheets



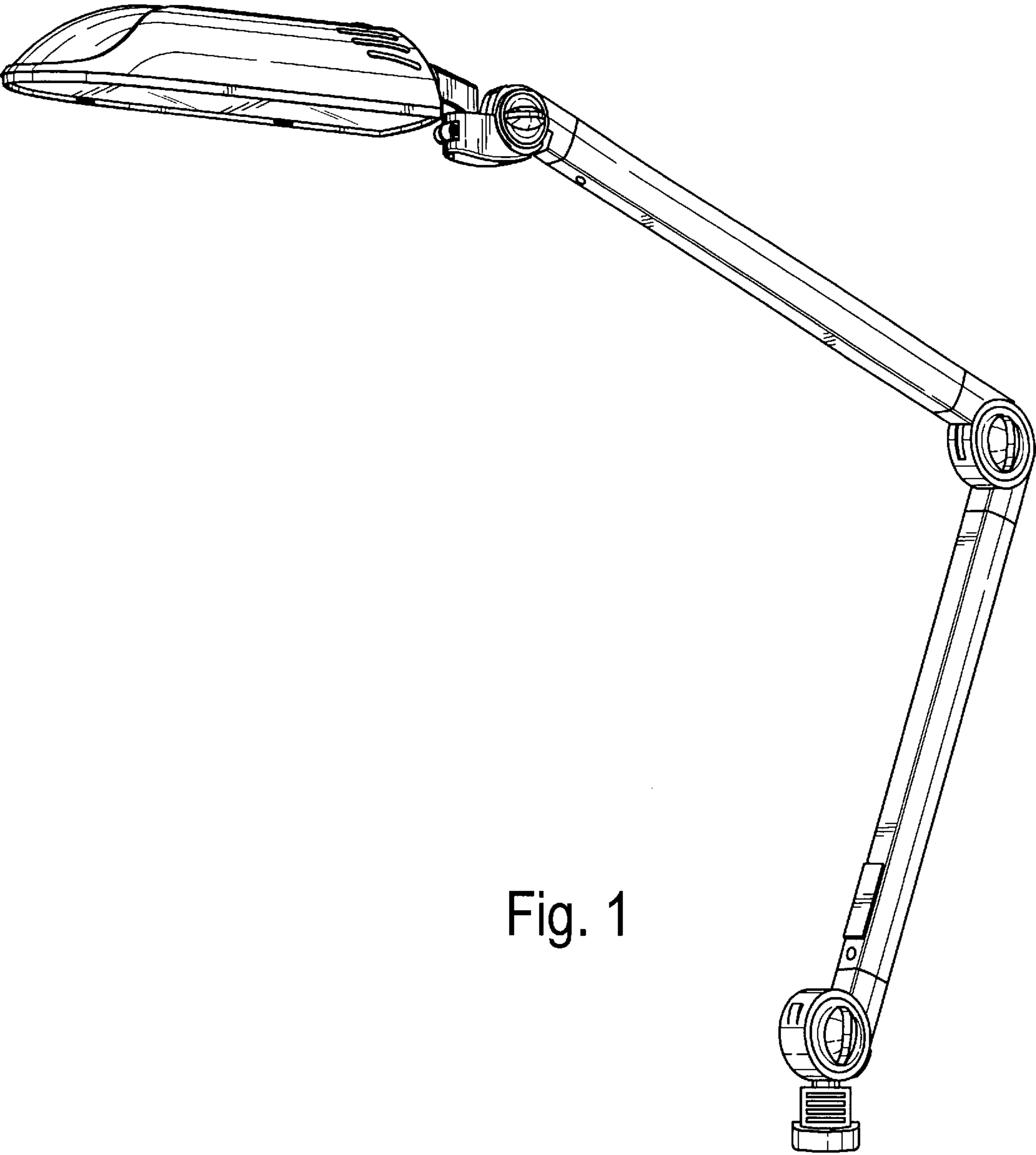


Fig. 1

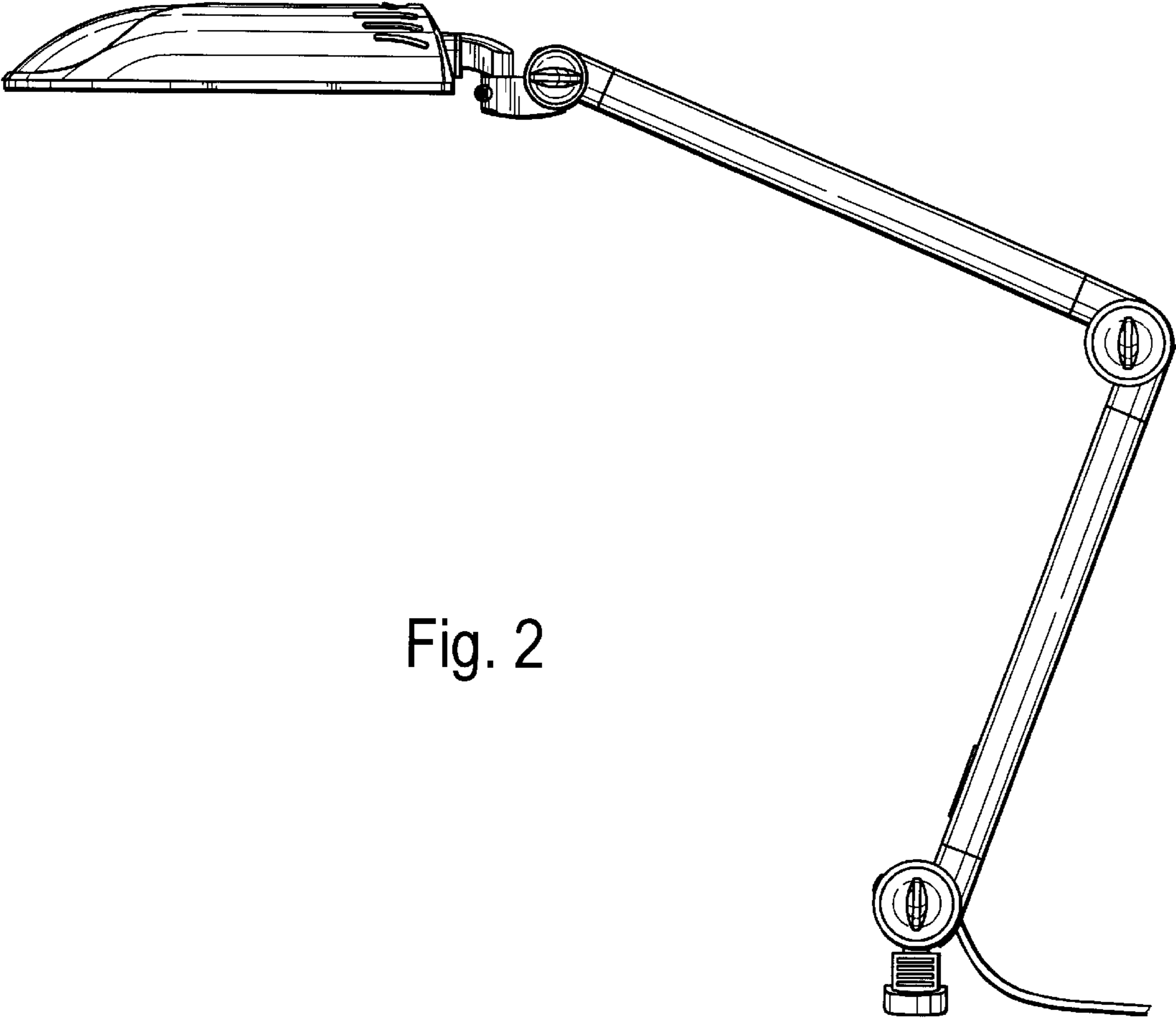
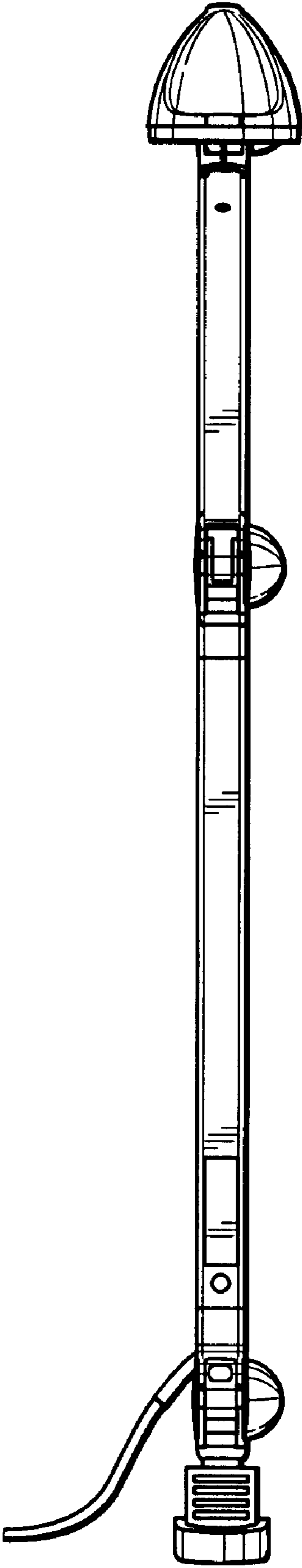


Fig. 2

Fig. 3



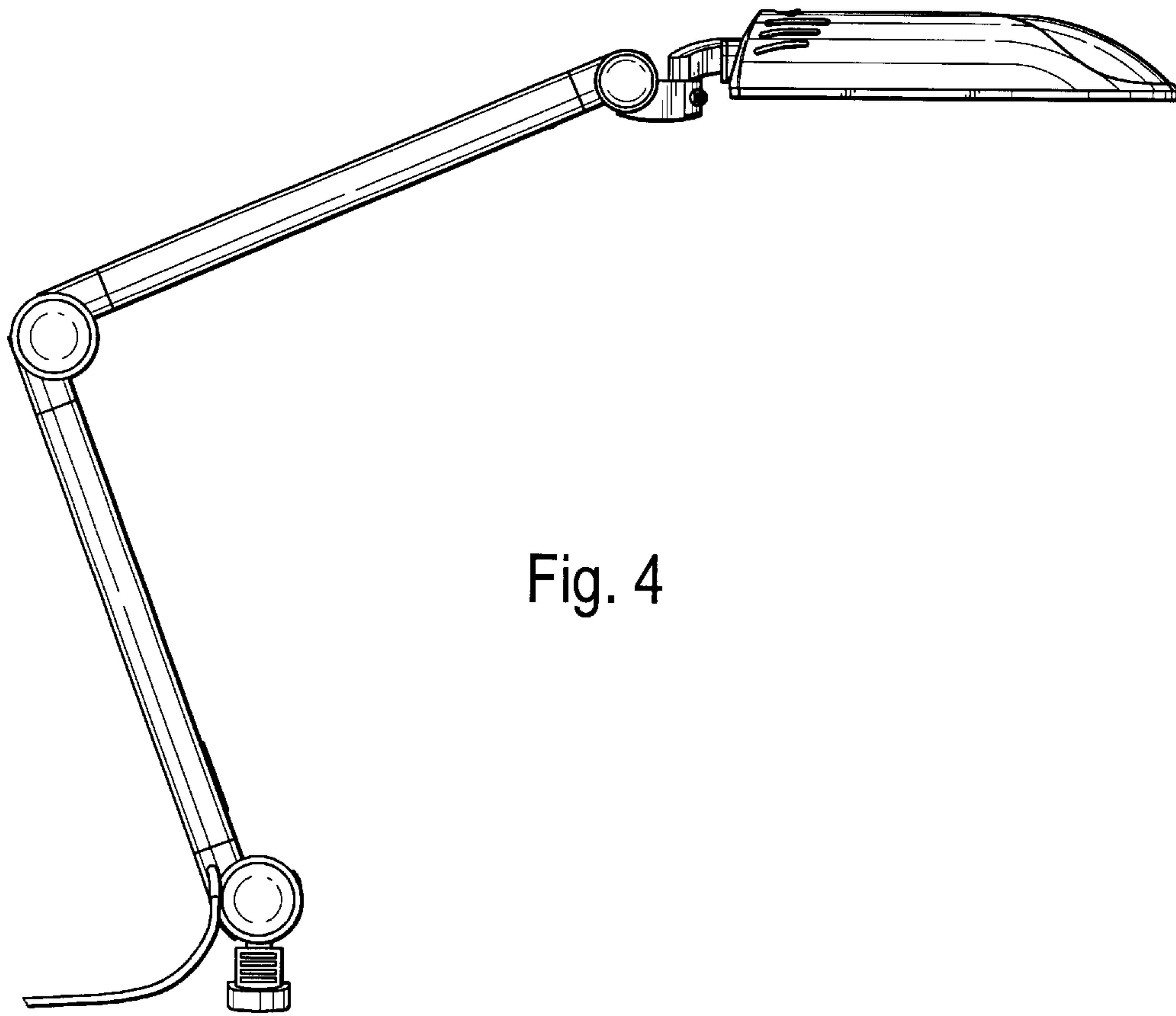


Fig. 4

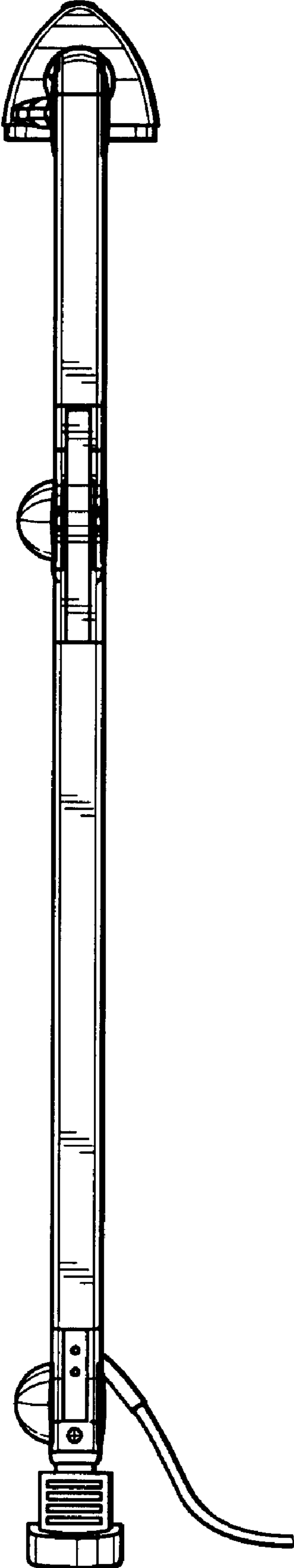


Fig. 5

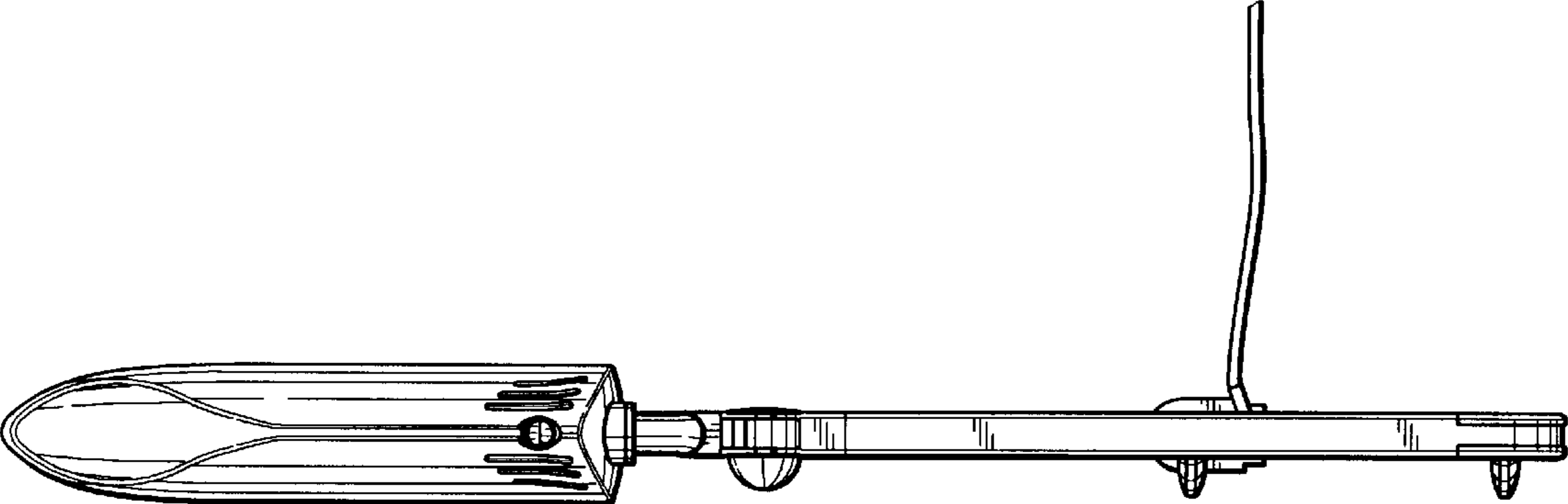


Fig. 6

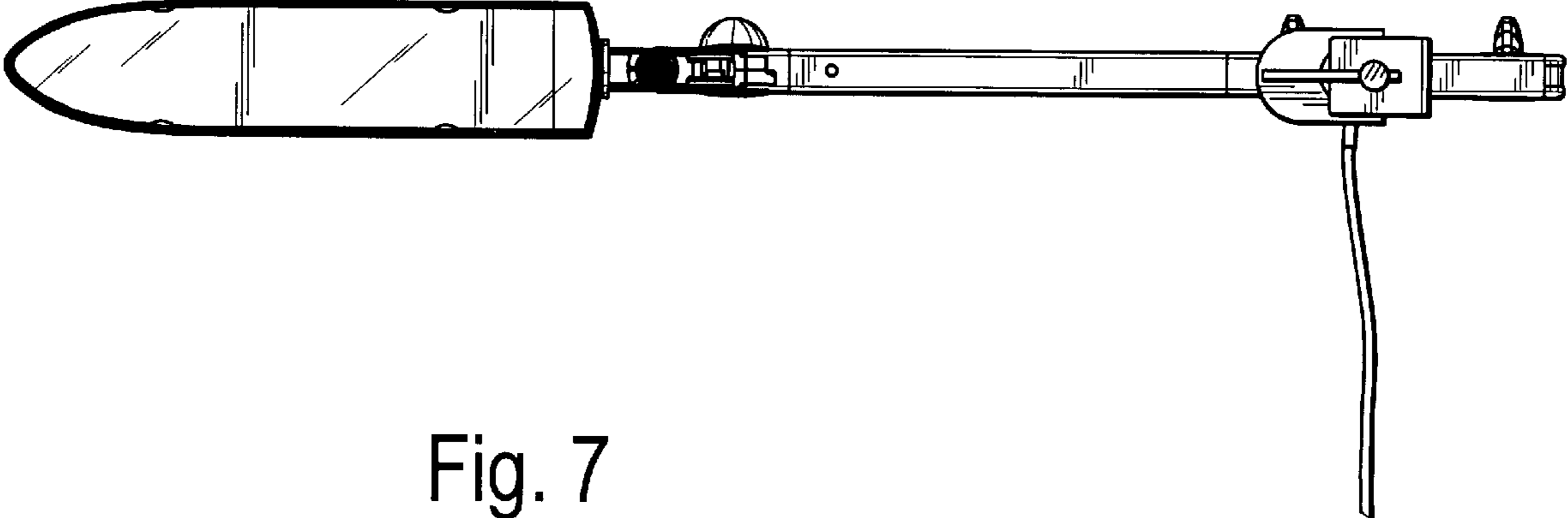


Fig. 7

UNITED STATES PATENT AND TRADEMARK OFFICE
CERTIFICATE OF CORRECTION

PATENT NO. : Des. 517,713 S
APPLICATION NO. : 29/179384
DATED : March 21, 2006
INVENTOR(S) : Gerhard Waldmann

Page 1 of 9

It is certified that error appears in the above-identified patent and that said Letters Patent is hereby corrected as shown below:

The Title Page, showing an illustrative figure, should be deleted and substitute therefor the attached Title Page.

Delete drawings sheets 1-7 and substitute therefor the drawing sheets, consisting of figs. 1-7 as shown on the attached page.

Signed and Sealed this

Eighth Day of January, 2008

A handwritten signature in black ink that reads "Jon W. Dudas". The signature is written in a cursive style with a large, looped initial "J".

JON W. DUDAS

Director of the United States Patent and Trademark Office

(12) **United States Design Patent**
Waldmann

(10) **Patent No.:** **US D517,713 S**
(45) **Date of Patent:** **** Mar. 21, 2006**

(54) **LAMP**

(75) **Inventor:** **Gerhard Waldmann, Dauchingen (DE)**

(73) **Assignee:** **Herbert Waldmann GmbH & Co. (DE)**

(**) **Term:** **14 Years**

(21) **Appl. No.:** **29/179,384**

(22) **Filed:** **Apr. 9, 2003**

(30) **Foreign Application Priority Data**

Oct. 10, 2002 (DE) 4 02 08 397

(51) **LOC (8) Cl.** **26-05**

(52) **U.S. Cl.** **D26/60; D26/65**

(58) **Field of Classification Search** **D26/60-66, D26/93, 102-112; 362/267, 269, 271, 272, 362/273, 276, 282, 283, 285, 287, 410-414, 362/418, 419, 427**
 See application file for complete search history.

(56) **References Cited**

U.S. PATENT DOCUMENTS

- 4,165,530 A * 3/1979 Sowden 362/401
- 4,298,921 A * 11/1981 Krogsrud et al. 362/346
- D282,587 S * 2/1986 Schwisha D26/60
- D333,528 S * 2/1993 Blet D26/62
- D345,027 S * 3/1994 Huang D26/65
- D349,582 S * 8/1994 Bain et al. D26/61
- D352,125 S * 11/1994 Hayashibara D26/65

- D376,219 S * 12/1996 Heuel D26/62
- D378,859 S * 4/1997 Yumita et al. D26/65
- D385,052 S * 10/1997 Huang D26/60
- D408,568 S * 4/1999 Schaak D26/62
- D441,476 S * 5/2001 Mendelsohn et al. D26/63
- D486,938 S * 2/2004 Waldmann D26/60

OTHER PUBLICATIONS

Clip-On Computer Desk Lamp #93041R from ablighting.com. ©2004. Found on internet May 24, 2004. 2 pages.*

* cited by examiner

Primary Examiner—Clare E Hefflin

(74) *Attorney, Agent, or Firm*—Eugene E. Renz, Jr.

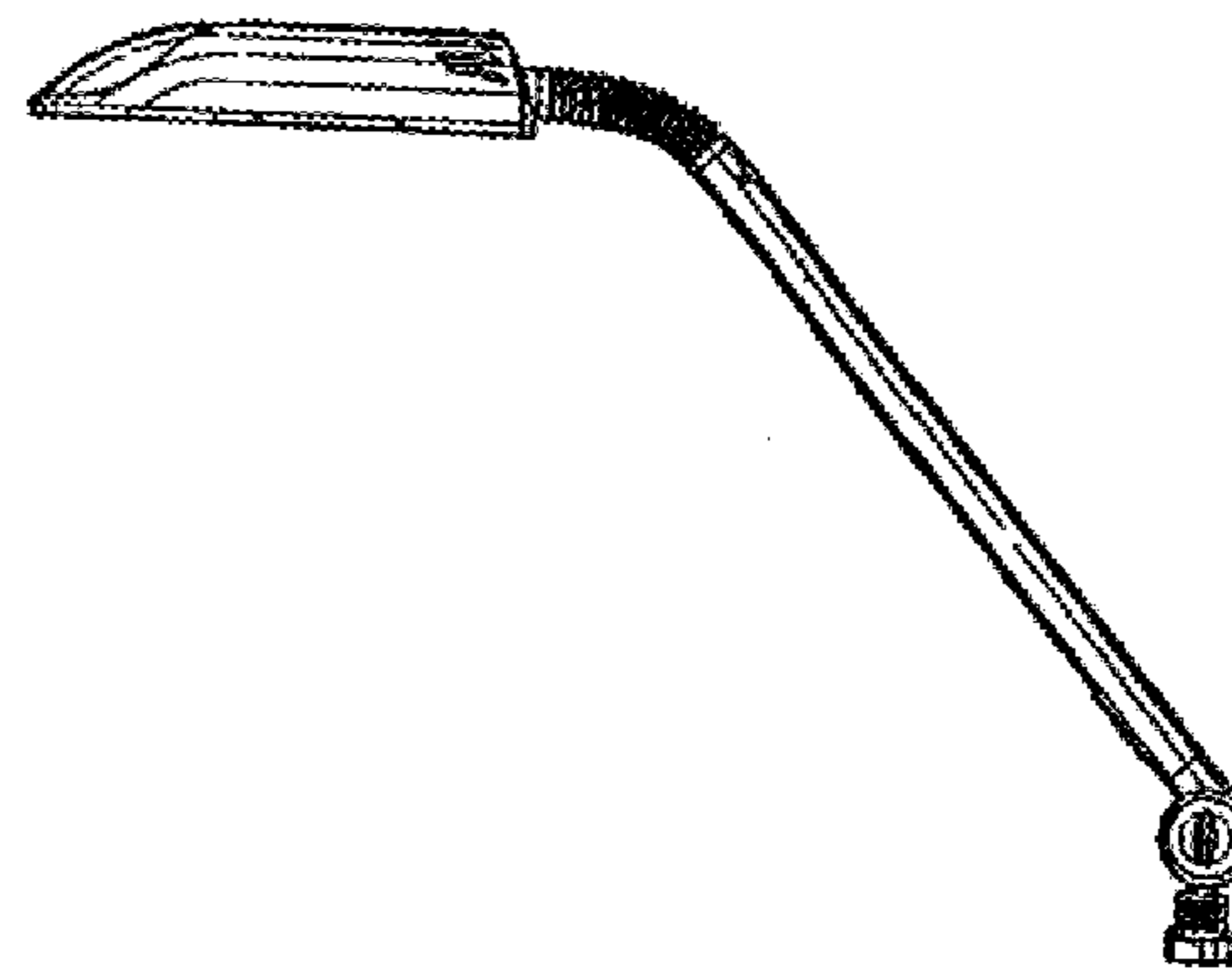
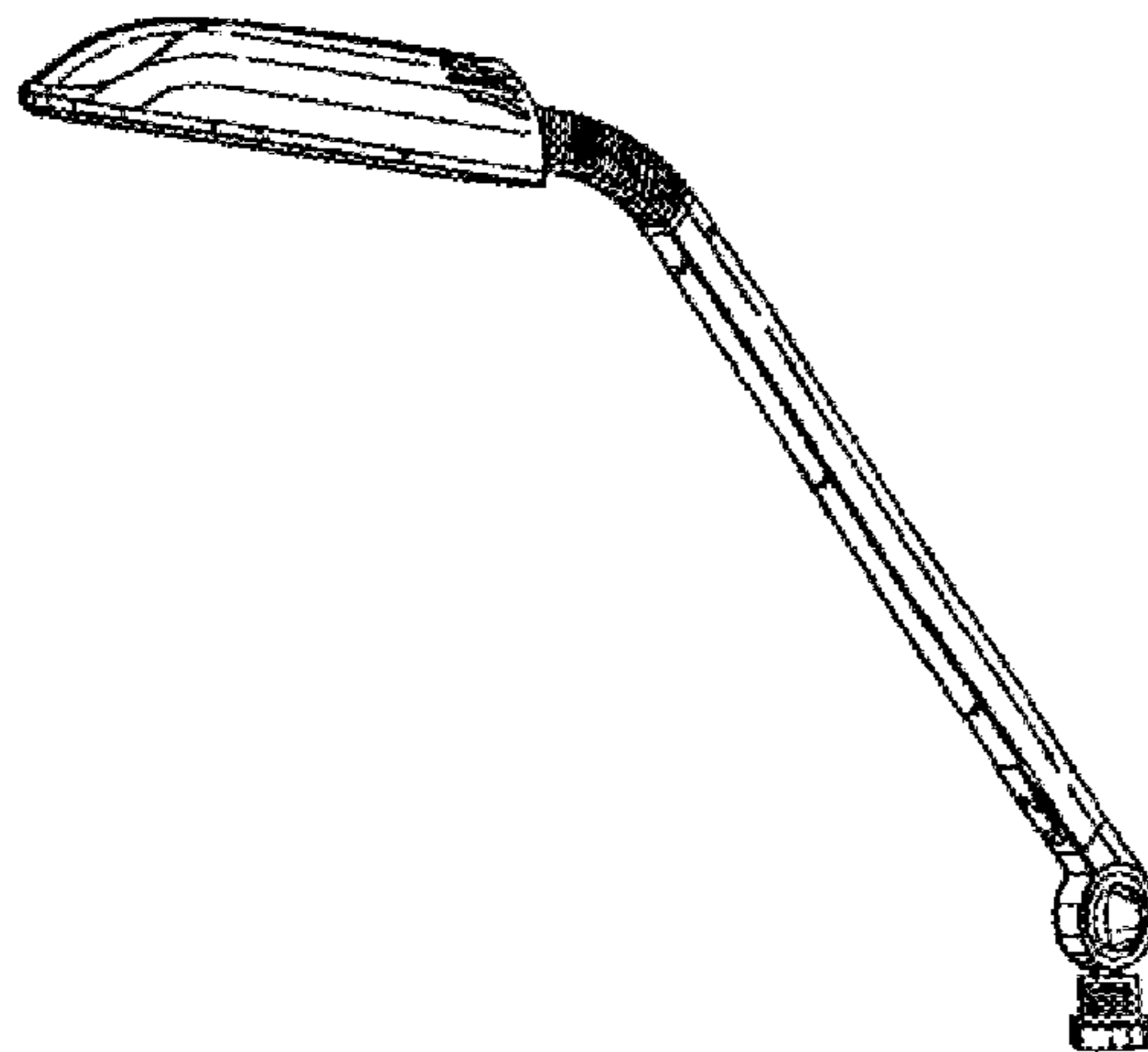
(57) **CLAIM**

The ornamental design for lamp, as shown and described.

DESCRIPTION

FIG. 1 is a perspective view of my new design for a lamp; FIG. 2 is a side elevational view of my new design for a lamp; FIG. 3 is a front elevational view of my new design for a lamp; FIG. 4 is a side elevational view of my new design for a lamp showing the side opposite that shown in FIG. 2; FIG. 5 is a rear elevational view of my new design for a lamp; FIG. 6 is a top plan view of my new design for a lamp; and, FIG. 7 is a bottom plan view of my new design for a lamp.

1 Claim, 7 Drawing Sheets



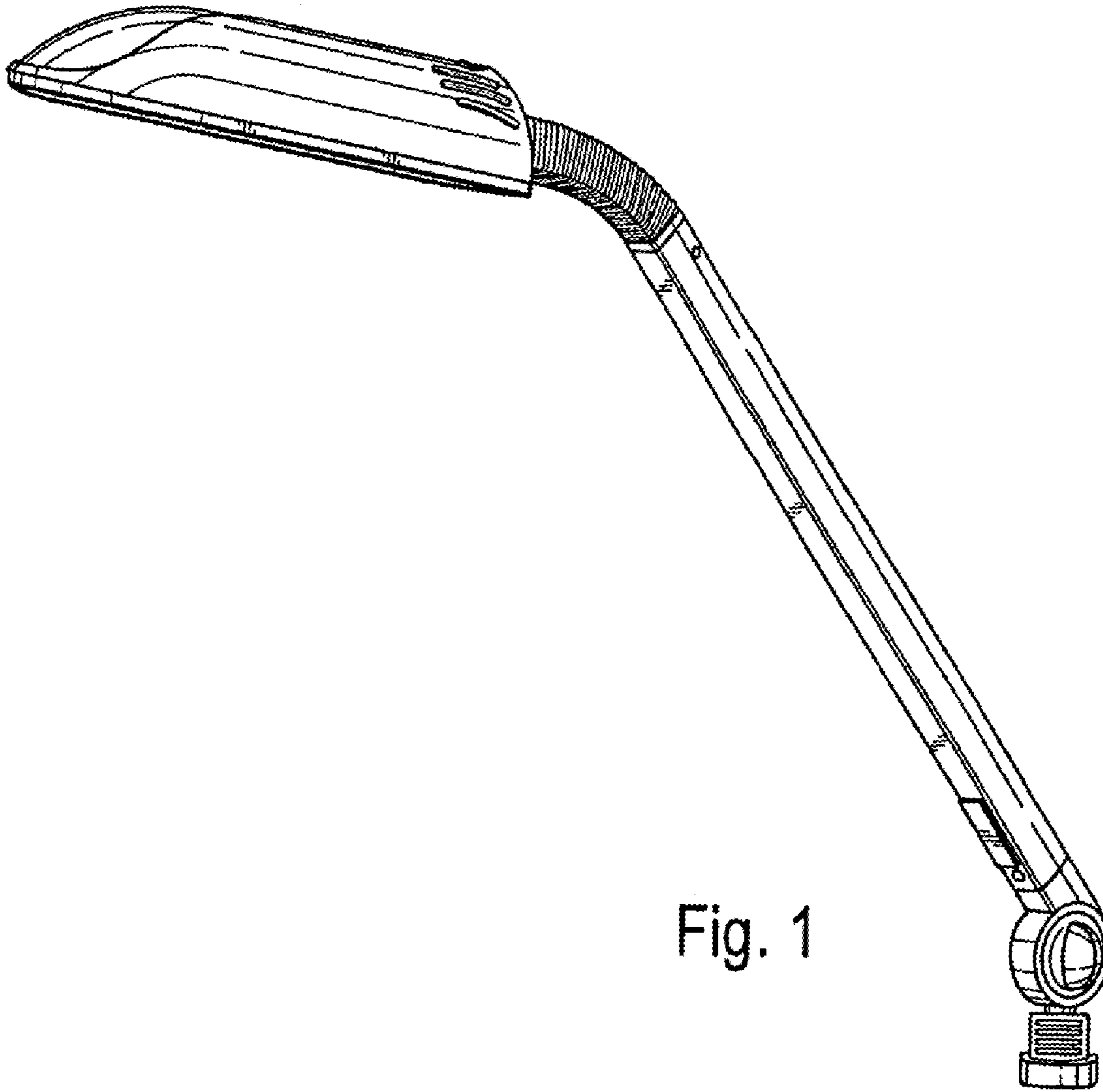


Fig. 1

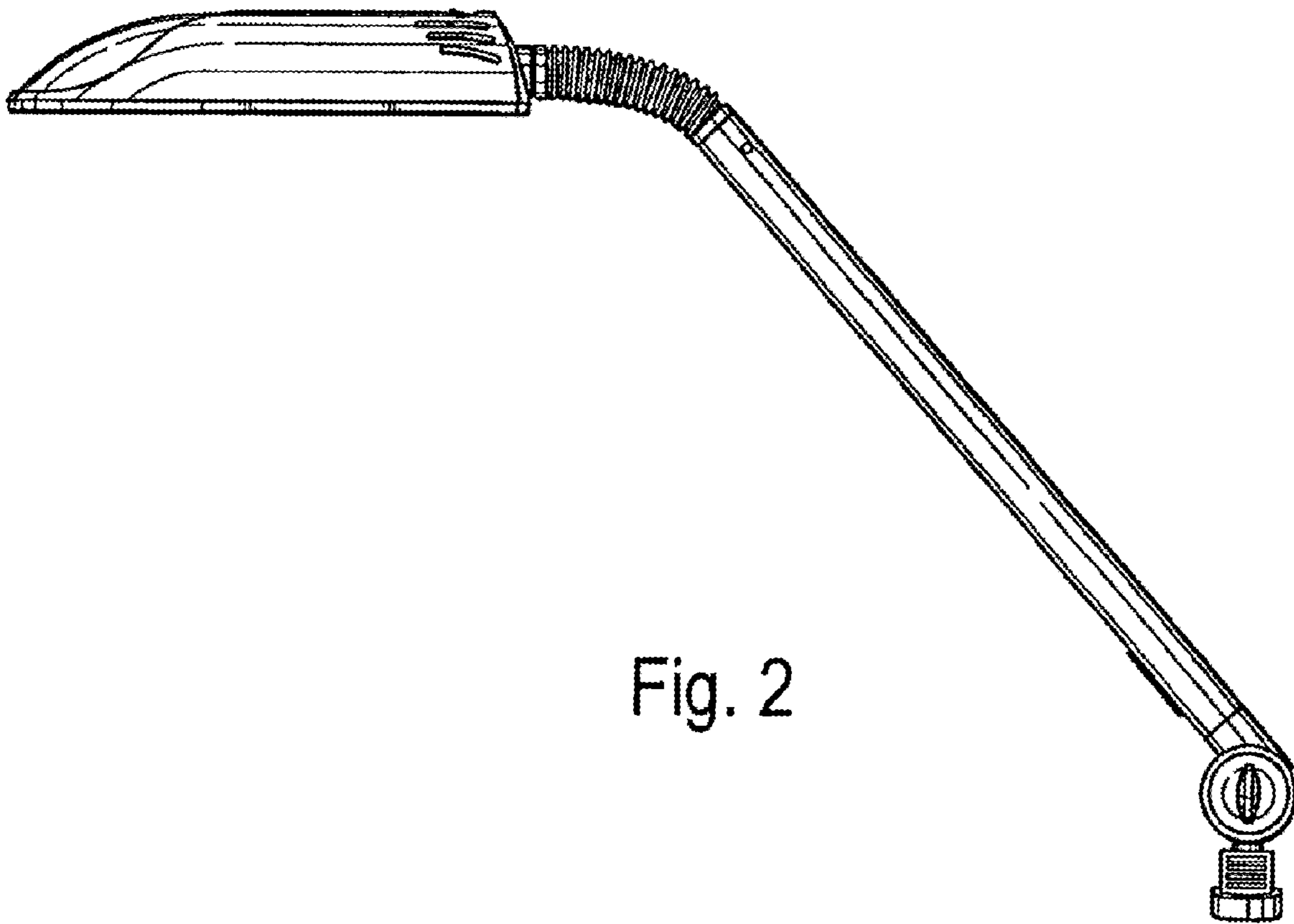
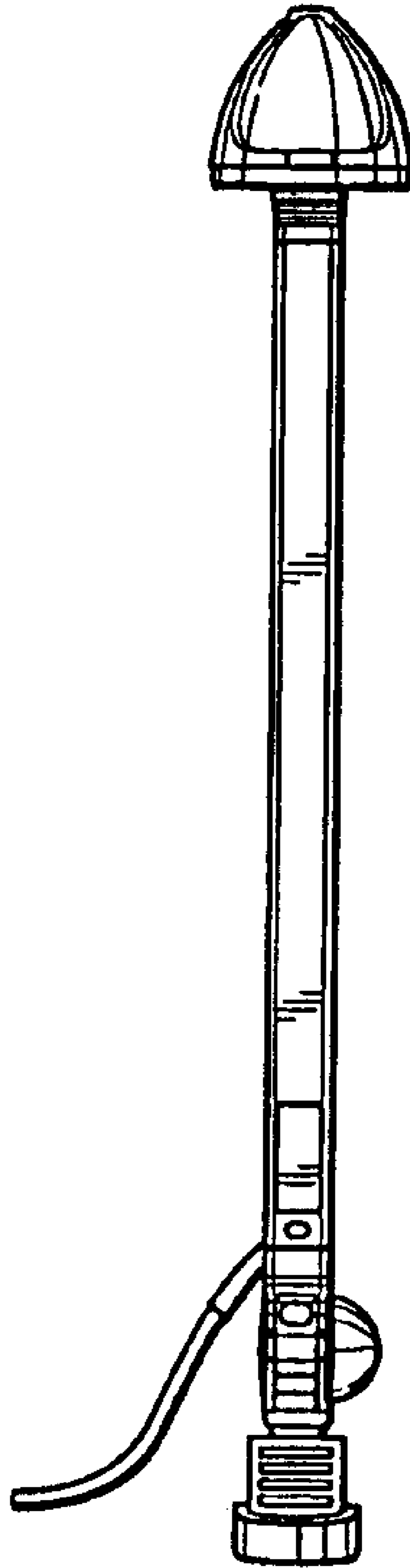


Fig. 2

Fig. 3



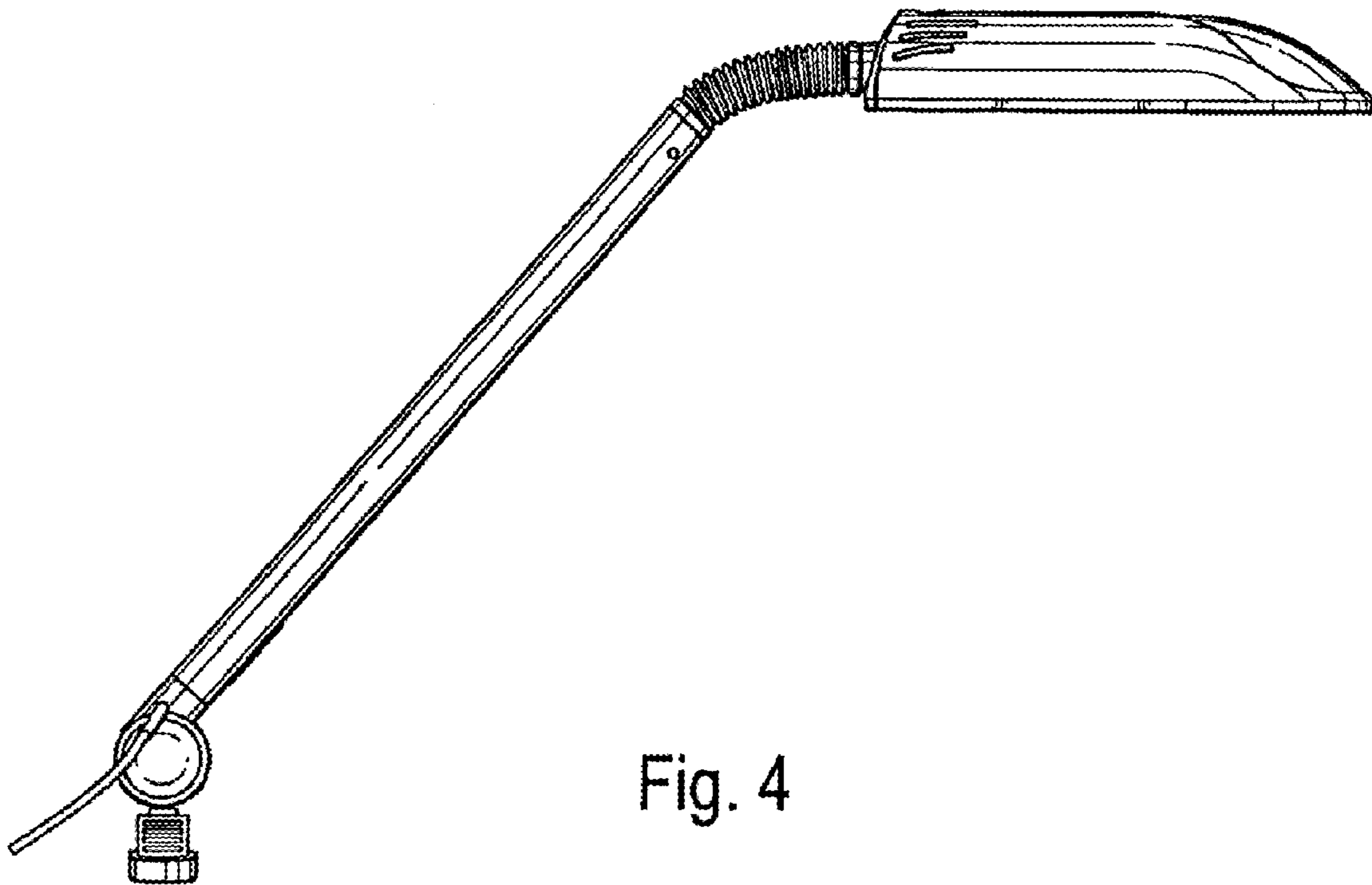


Fig. 4

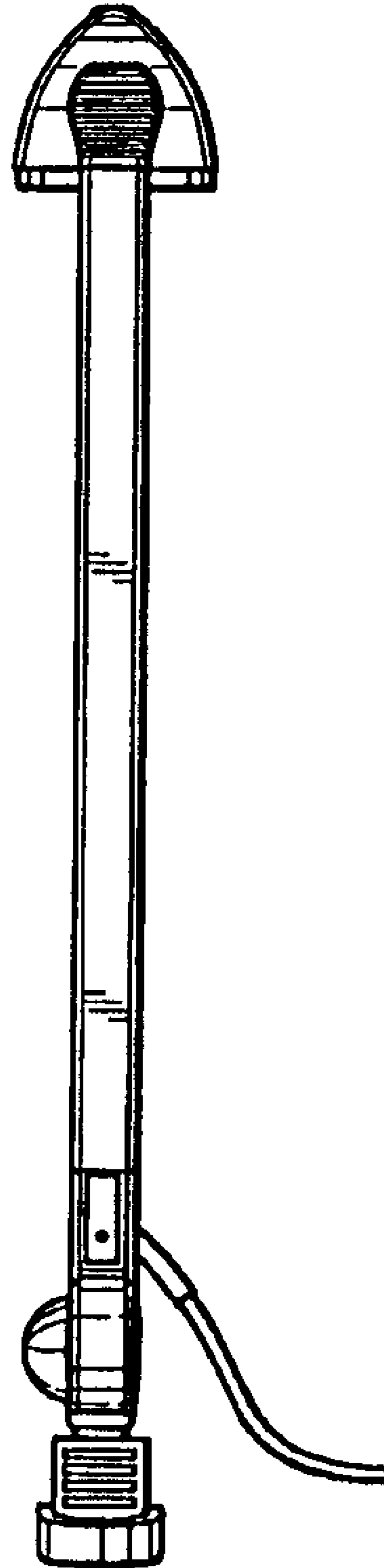


Fig. 5

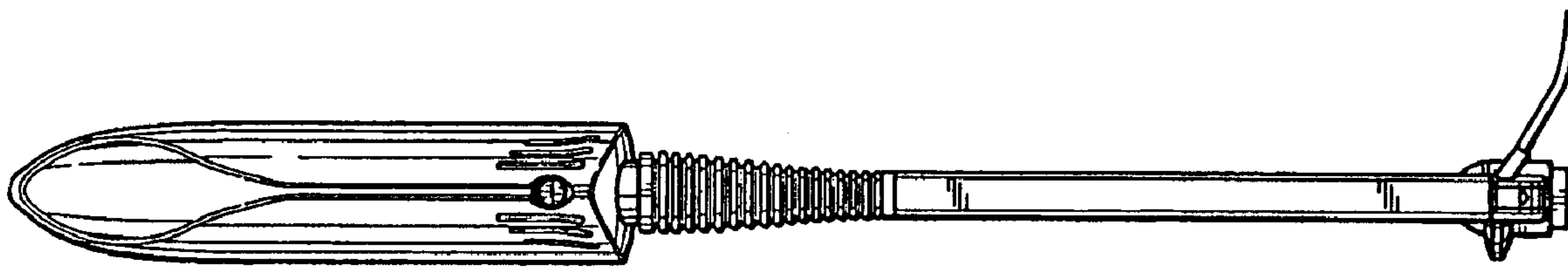


Fig. 6

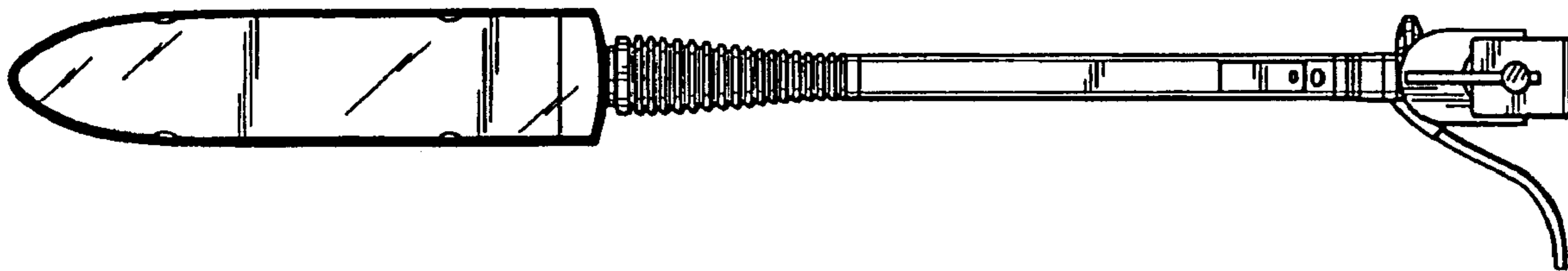


Fig. 7