



US00D517705S

(12) **United States Design Patent**  
**Shen**

(10) **Patent No.:** **US D517,705 S**  
(45) **Date of Patent:** **\*\* Mar. 21, 2006**

(54) **WALL LAMP**

(76) **Inventor:** **Hung-Huai Shen**, 2F, No. 18, Lane 52,  
Shikuen St., Banchiau City, Taipei  
Hsien (TW)

(\*\*) **Term:** **14 Years**

(21) **Appl. No.:** **29/200,855**

(22) **Filed:** **Mar. 8, 2004**

(51) **LOC (8) Cl.** ..... **26-05**

(52) **U.S. Cl.** ..... **D26/26**

(58) **Field of Classification Search** ..... D26/26,  
D26/104, 73, 24; D23/366, 367; 362/95,  
362/125, 226, 276, 147, 404, 101, 806, 811;  
40/406

See application file for complete search history.

(56) **References Cited**

**U.S. PATENT DOCUMENTS**

- 3,387,396 A \* 6/1968 Smith ..... 40/406
- 3,780,260 A \* 12/1973 Eisner ..... 392/392
- 4,072,855 A \* 2/1978 Marchese ..... 362/101
- 6,309,084 B1 \* 10/2001 Lin ..... 362/101
- D471,654 S \* 3/2003 Schenck ..... D26/26
- 2004/0160769 A1 \* 8/2004 Currie et al. .... 362/232

**OTHER PUBLICATIONS**

Motion Lamps with Liquid from globalsources.com (1 page). □□ Found online at <http://akamai.globalsources.com> on Jun. 24, 2004.\*

Night Lights from globalsources.com (1 page). □□ Found online at <http://akamai.globalsources.com> on Jun. 24, 2004.\*

Motion Lamps with metallic flakes from globalsources.com. (1 page). □□ Found online at <http://www.akamai.globalsources.com> on Jun. 24, 2004.\*

\* cited by examiner

*Primary Examiner*—Clare E Hefflin

(74) *Attorney, Agent, or Firm*—Dennison, Schultz, Dougherty & MacDonald

(57) **CLAIM**

I claim the ornamental design for a wall lamp, as shown and described.

**DESCRIPTION**

FIG. 1 is a perspective view of a wall lamp showing my new design;

FIG. 2 is a front elevation view thereof;

FIG. 3 is a rear elevation view thereof;

FIG. 4 is a right side elevation view thereof;

FIG. 5 is a left side elevation view thereof;

FIG. 6 is a top plan view thereof;

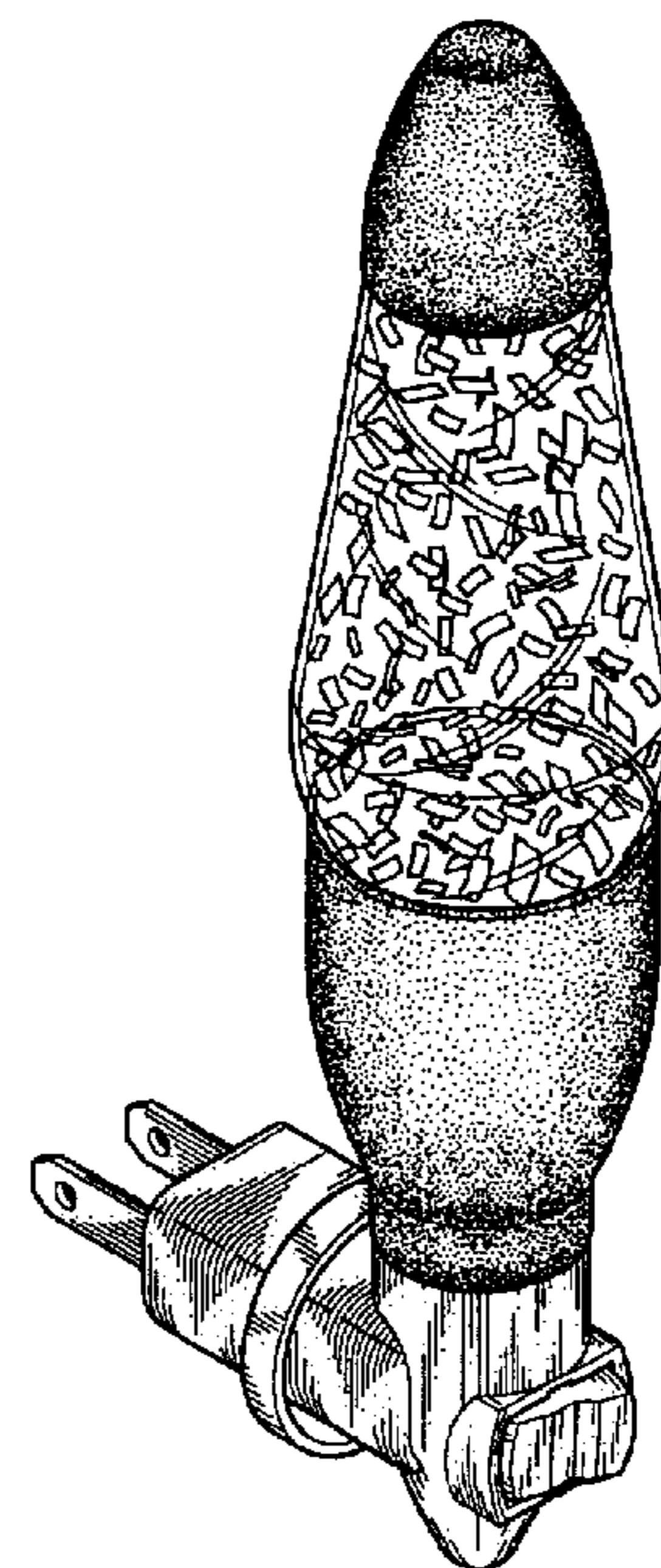
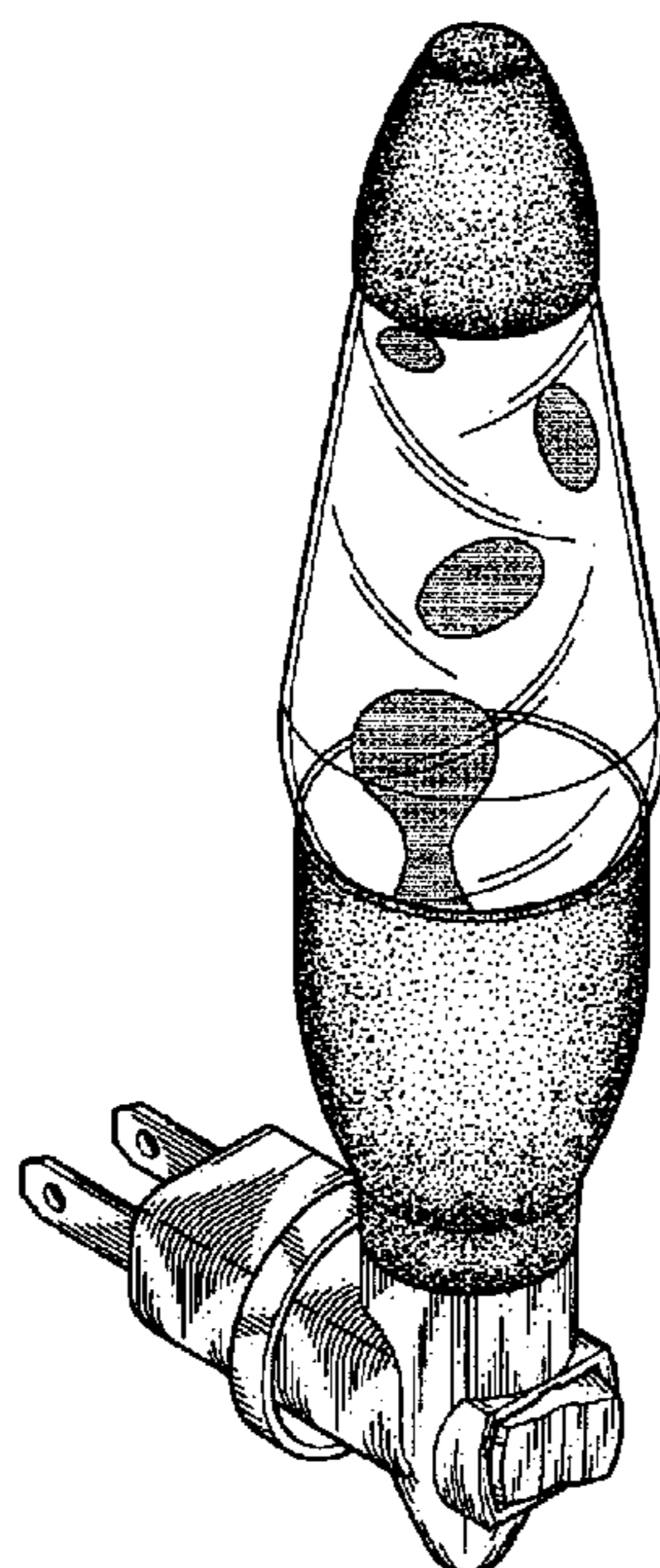
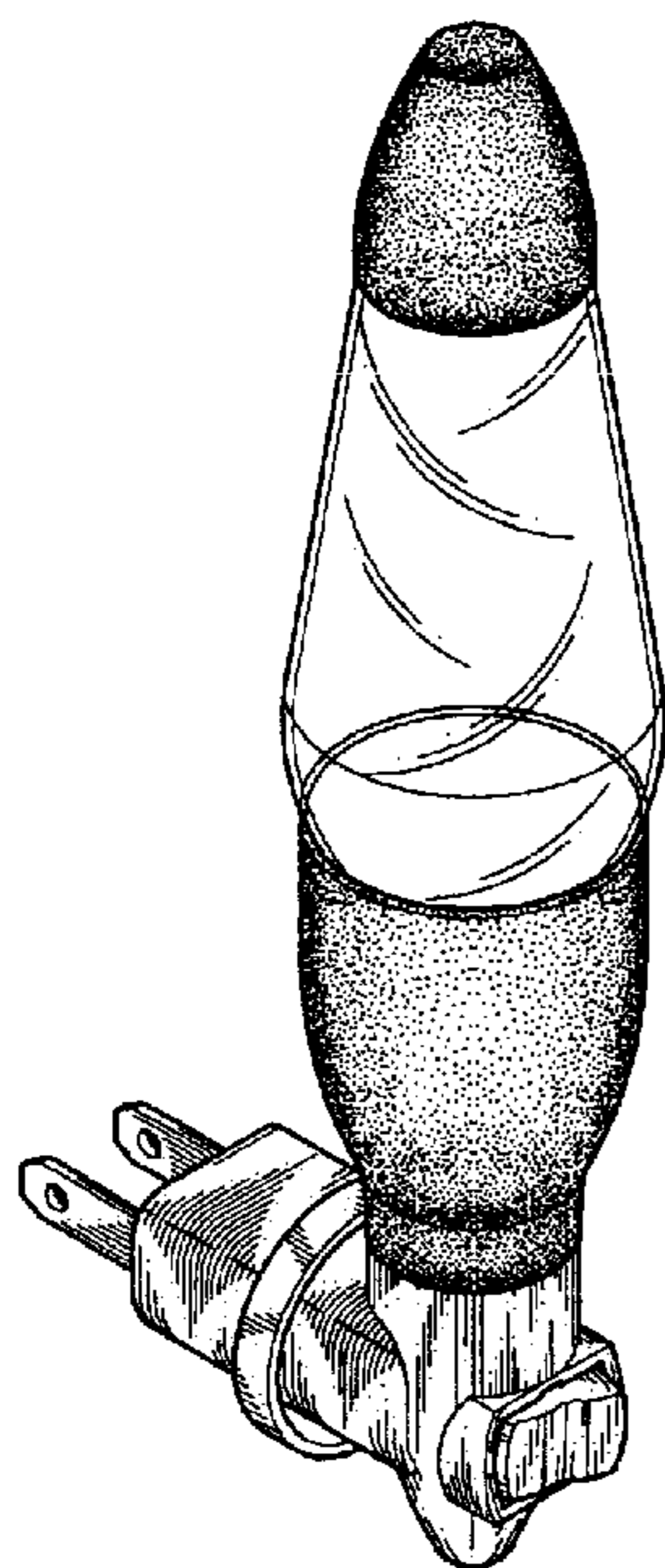
FIG. 7 is a bottom plan view thereof;

FIG. 8 is a perspective view thereof showing a wall lamp in using condition. A lamp comprises a transparent container which contains a clear liquid and a colorful liquid, when the lamp is turned on, the colorful liquid will rise from bottom to top as bubbles; and,

FIG. 9 is a perspective view thereof showing a wall lamp in using condition. A lamp comprises a transparent container which contains a clear liquid and colored lustrous foil fragments, when the lamp is turned on, the foil fragments will float randomly.

The broken lines shown in FIGS. 6 and 7 of the drawings are for illustrative purposes only and form no part of the claimed design.

**1 Claim, 3 Drawing Sheets**



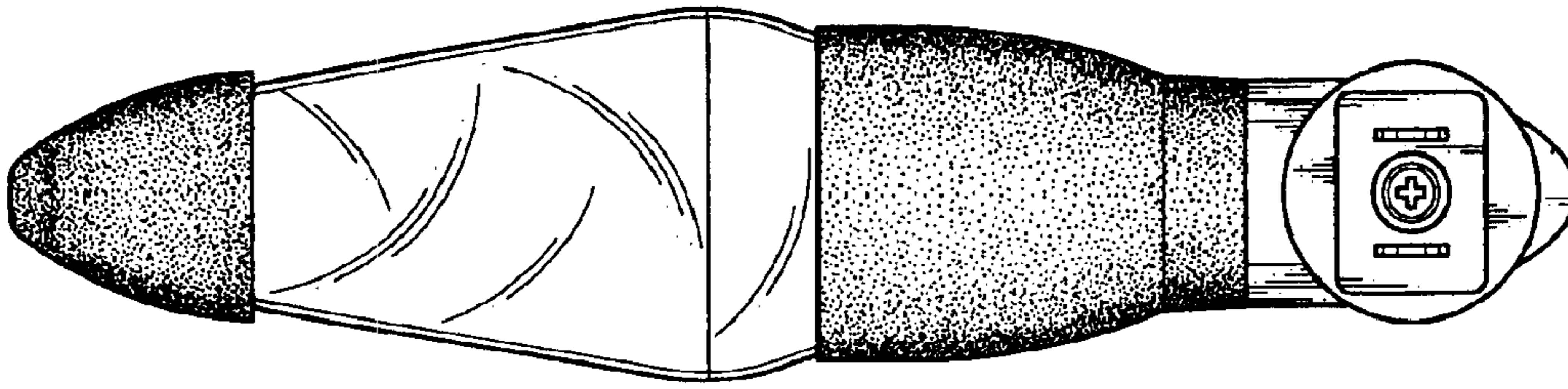


FIG. 3

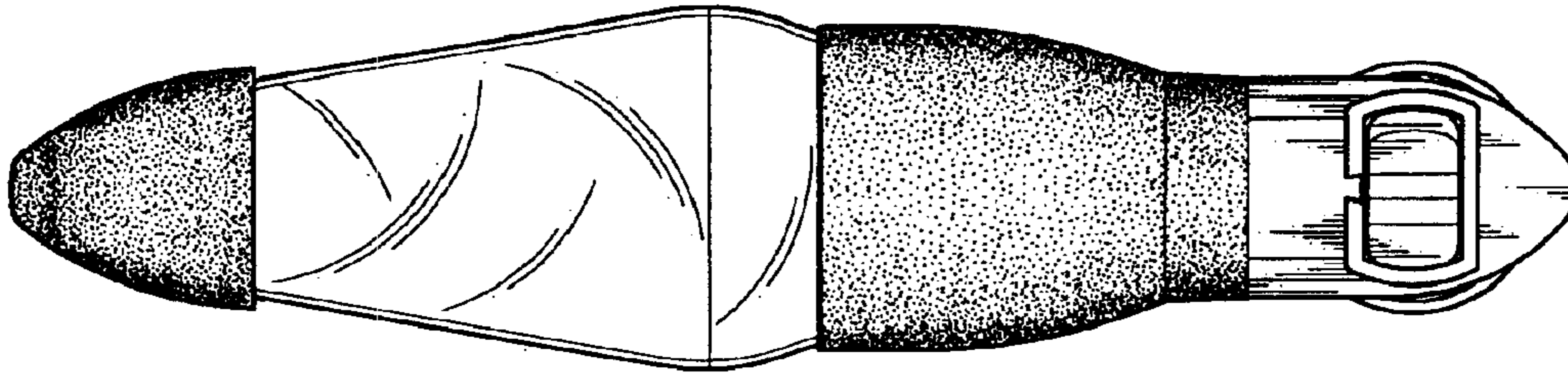


FIG. 2

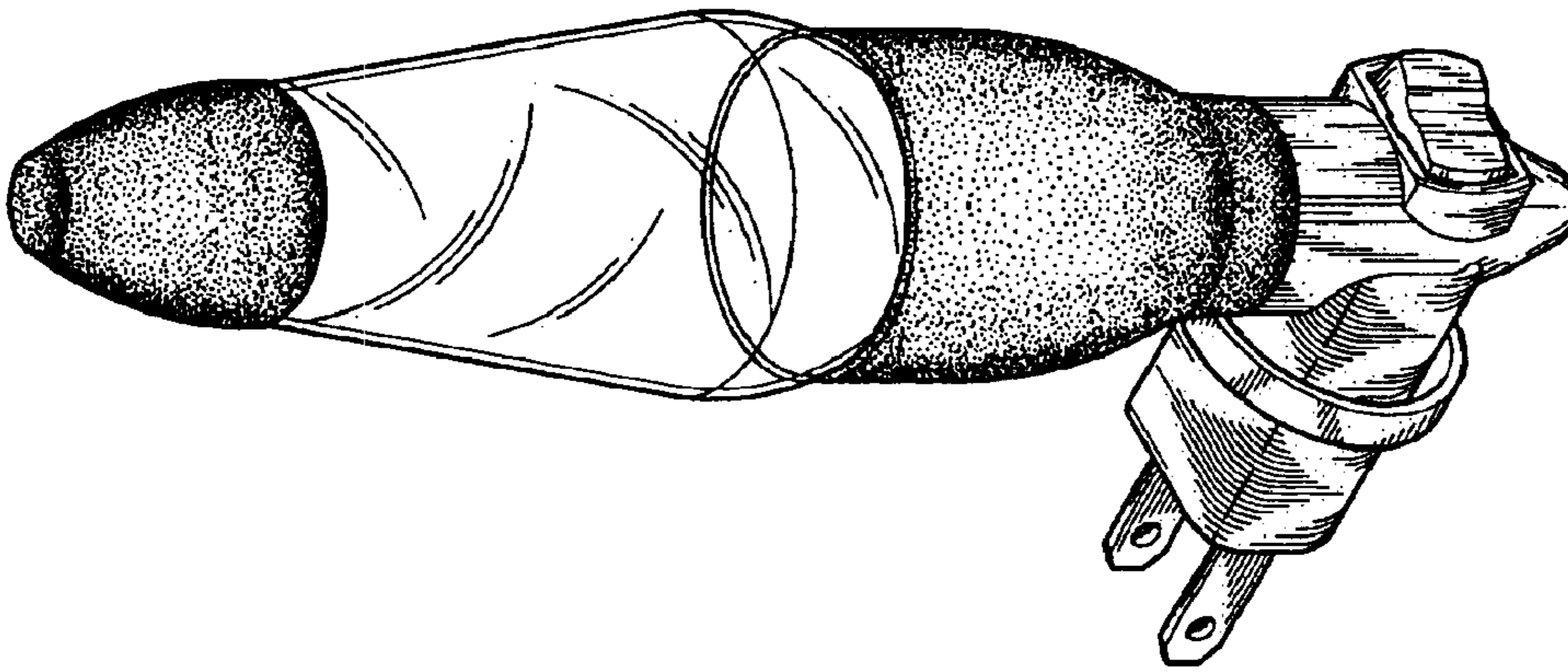


FIG. 1

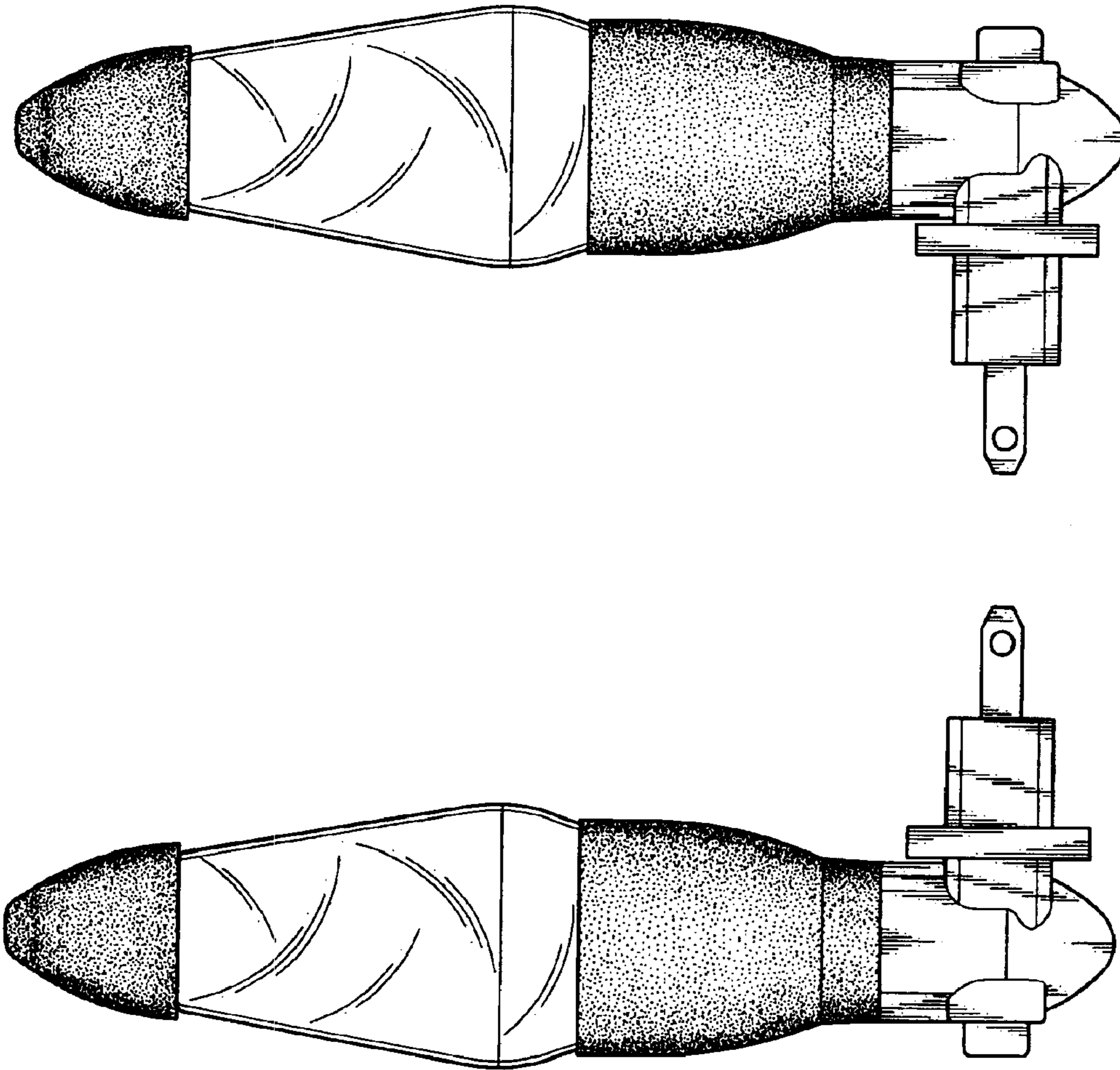


FIG. 4

FIG. 5

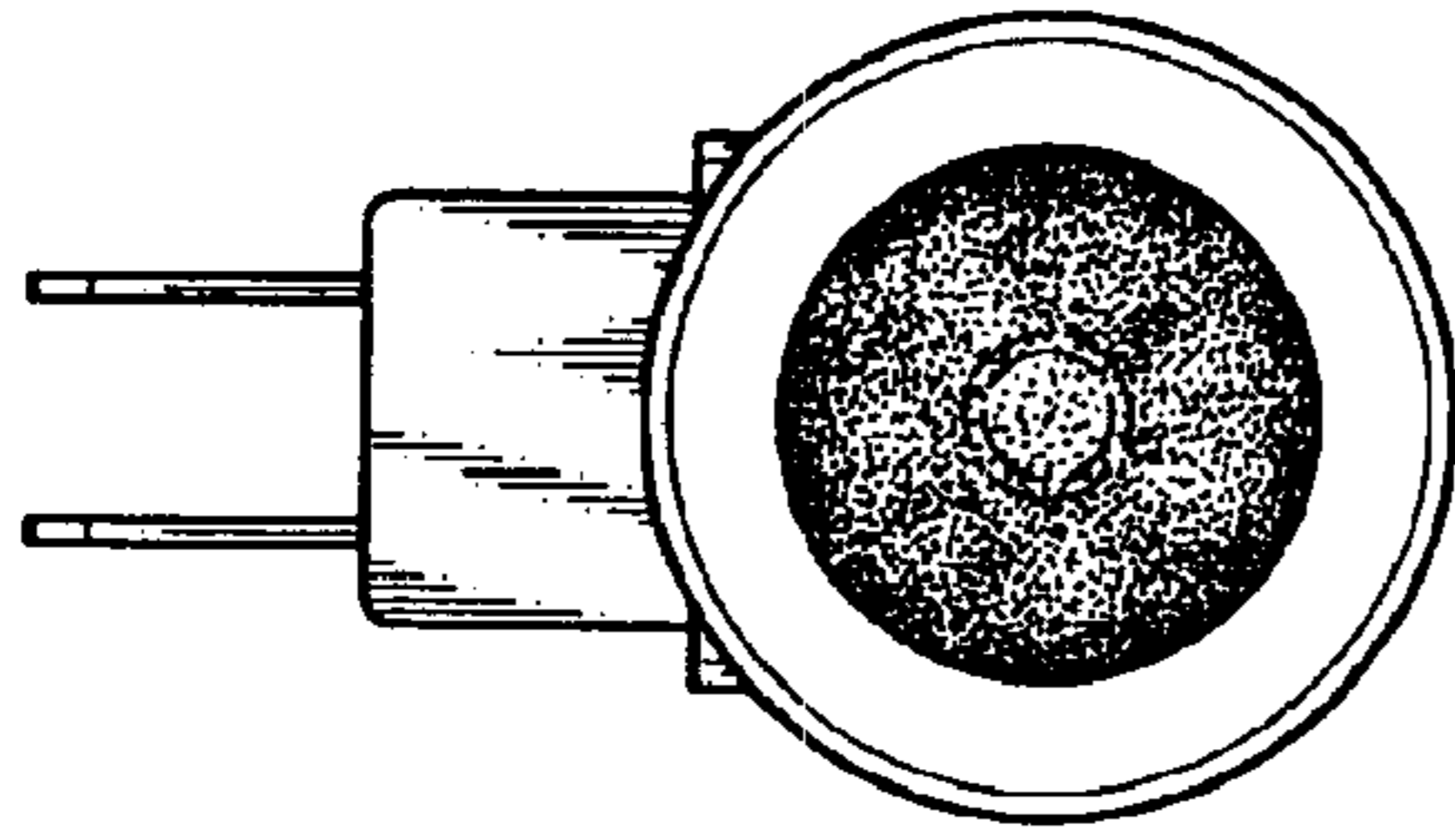


FIG. 6

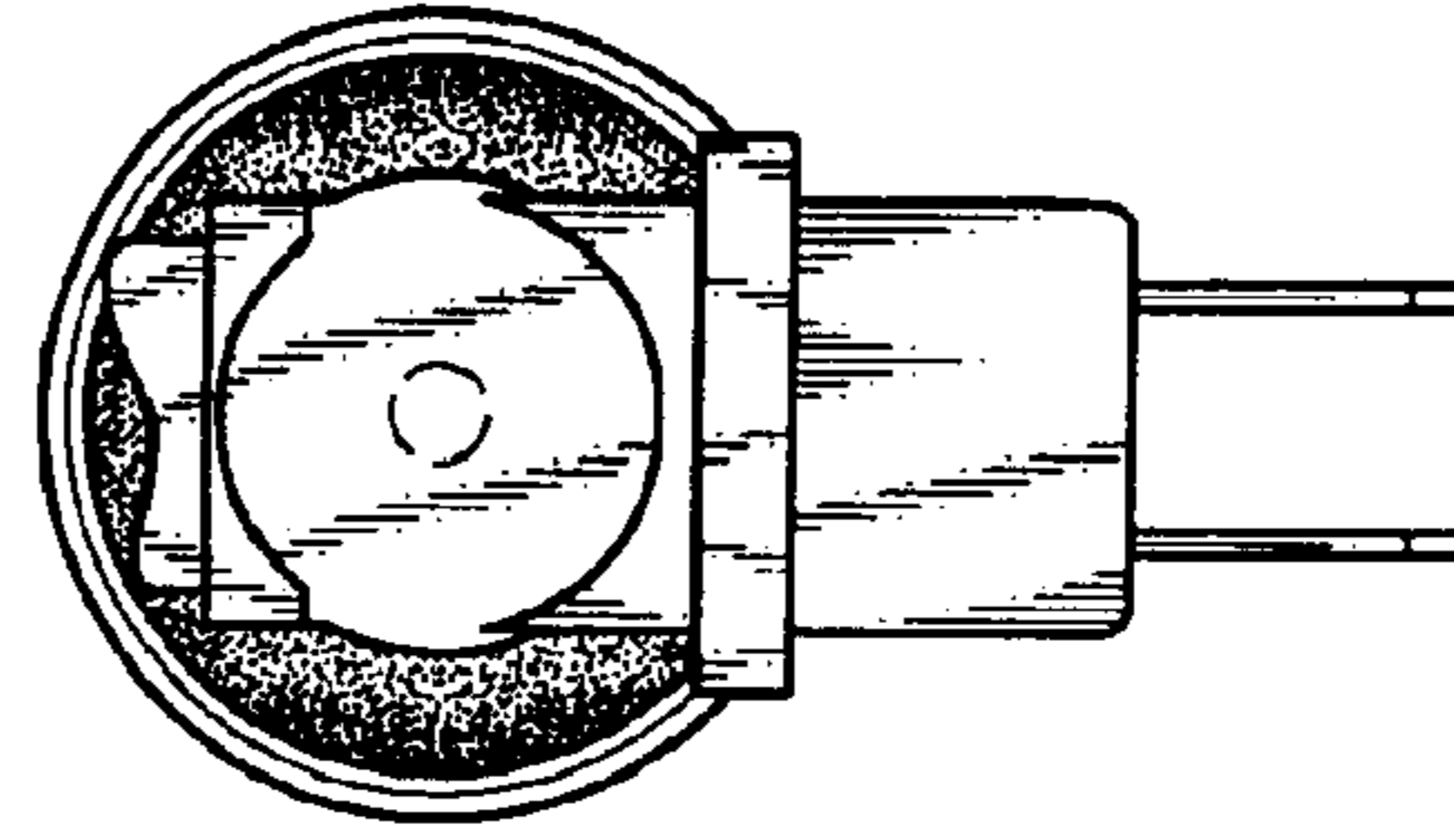


FIG. 7

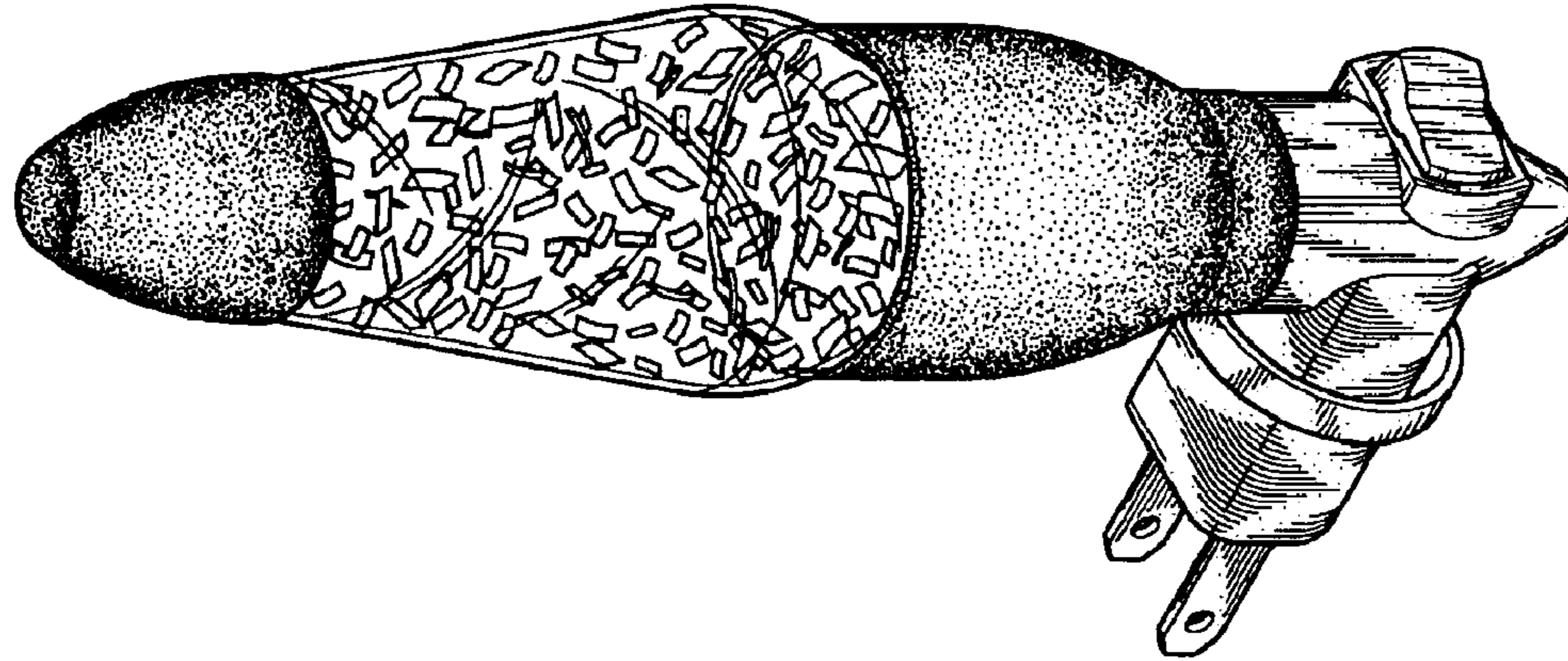


FIG. 9

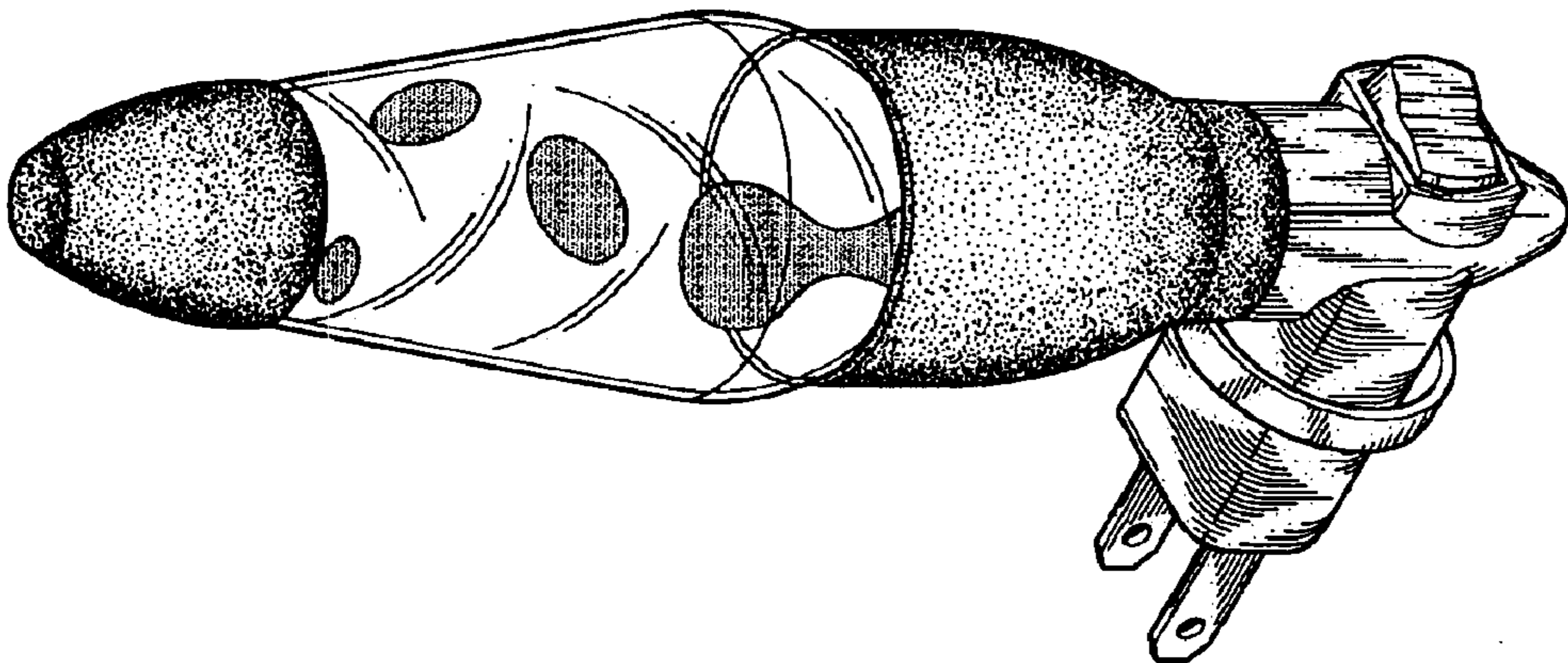


FIG. 8