



US00D517701S

(12) **United States Design Patent**
Bartlett et al.

(10) **Patent No.:** **US D517,701 S**
(45) **Date of Patent:** **** Mar. 21, 2006**

(54) **DOOR EDGE WITH COVER STRIP**

(75) Inventors: **Gary F. Bartlett**, Muncy, PA (US);
Wendy Duckham, Oxfordshire (GB)

(73) Assignee: **E.M.E.H., Inc.**, Lebanon, NJ (US)

(**) Term: **14 Years**

(21) Appl. No.: **29/191,911**

(22) Filed: **Oct. 14, 2003**

(51) **LOC (8) Cl.** **25-01**

(52) **U.S. Cl.** **D25/119**

(58) **Field of Classification Search** D25/119,
D25/199; 52/459, 461, 464, 465, 469, 471
See application file for complete search history.

(56) **References Cited**

U.S. PATENT DOCUMENTS

D323,715 S * 2/1992 Bodurow et al. D25/119
6,189,273 B1 * 2/2001 Larson 52/255

OTHER PUBLICATIONS

“Yeoman Shield: Total Surface Protection,” Harrison Thompson & Co. Ltd., www.yeomanshield.com, Jan. 1, 2003.

“Total Surface Protection,” Harrison Thompson & Co. Ltd., www.yeomanshield.com, May 1, 2002.

* cited by examiner

Primary Examiner—Doris Clark

(74) *Attorney, Agent, or Firm*—Baker Botts L.L.P.

(57) **CLAIM**

The ornamental design of the door edge with cover strip, as shown and described.

DESCRIPTION

FIG. 1 is a perspective view of a first exemplary embodiment of a door edge with cover strip showing our new design;

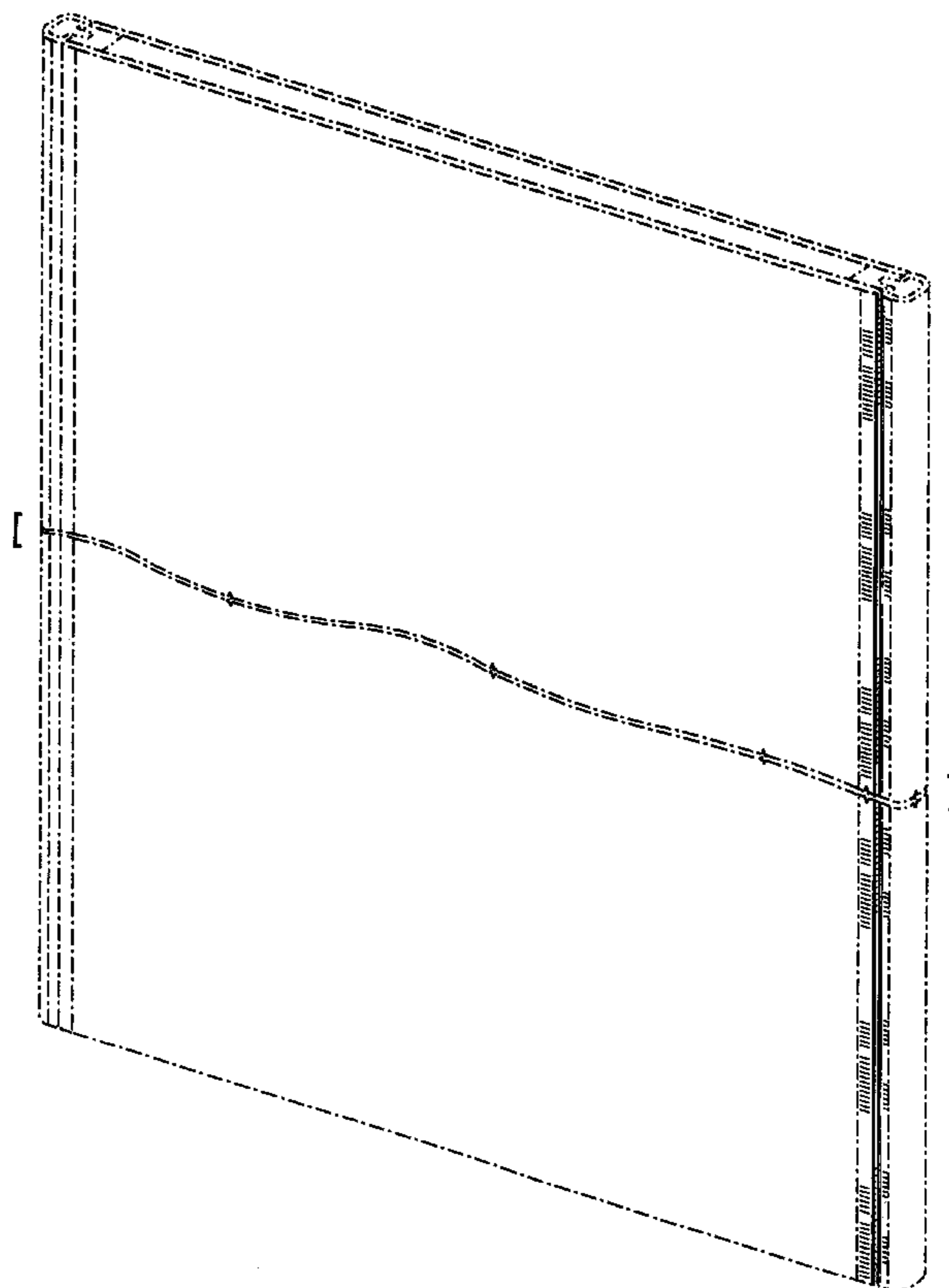
FIG. 2 is a front view of the door edge with cover strip of FIG. 1;

FIG. 3 is a second embodiment of a perspective view of the door edge with cover strip of FIG. 1; and,

FIG. 4 is a second embodiment of a front view of the door edge with cover strip of FIG. 1.

The broken lines are provided for illustrative purposes only, and form no part of the claimed design. In addition, the portions of the door edge with cover strip that are not shown in the drawing do not form any part of the claimed design. The central broken area of the design in FIGS. 1–4 has been bracketed to illustrate that the separated portions of the design consist of a single unit. Further, the full lines shown merely illustrate the surfaces of the design which are being claimed therein.

1 Claim, 4 Drawing Sheets



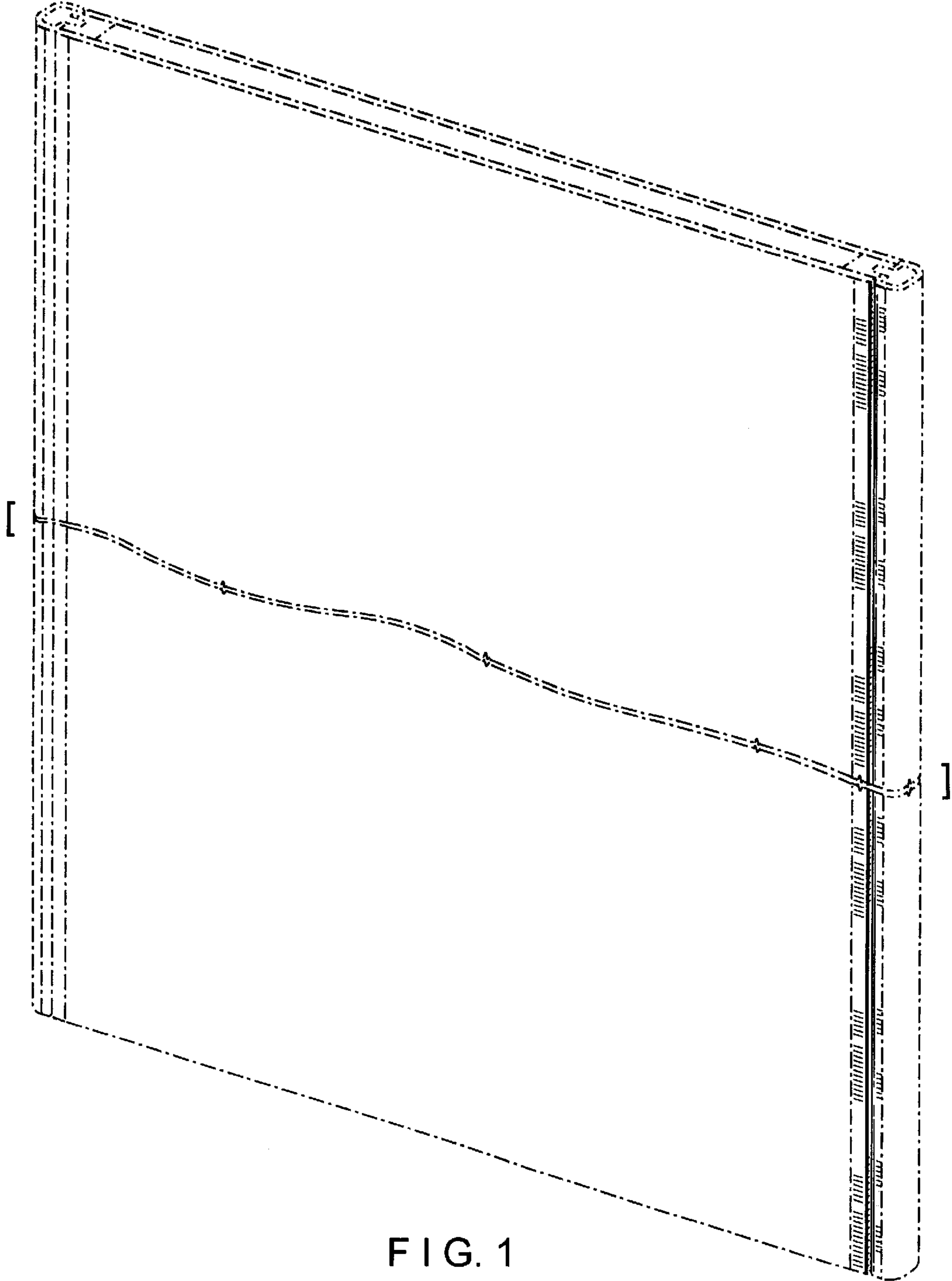


FIG. 1

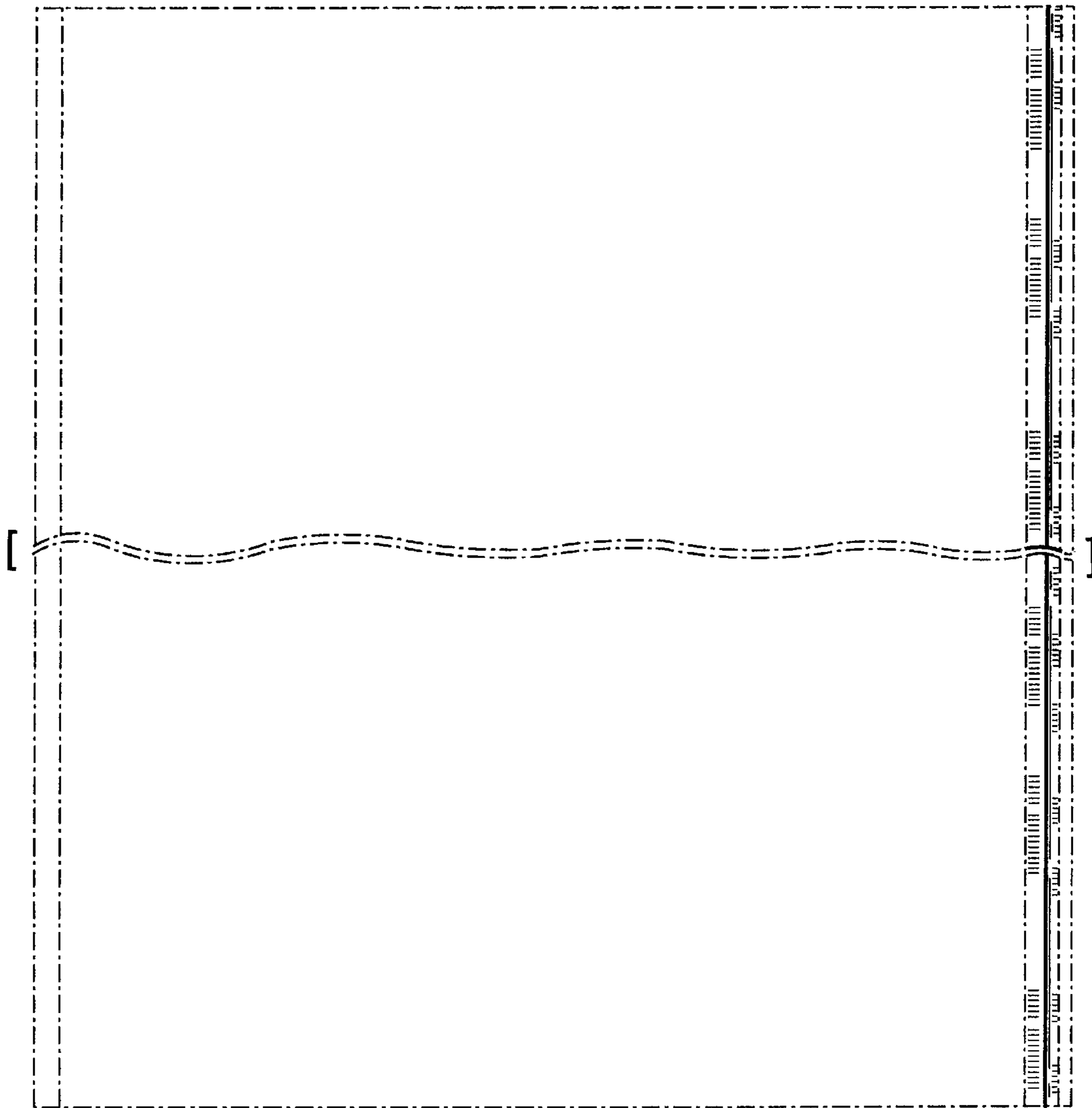


FIG. 2

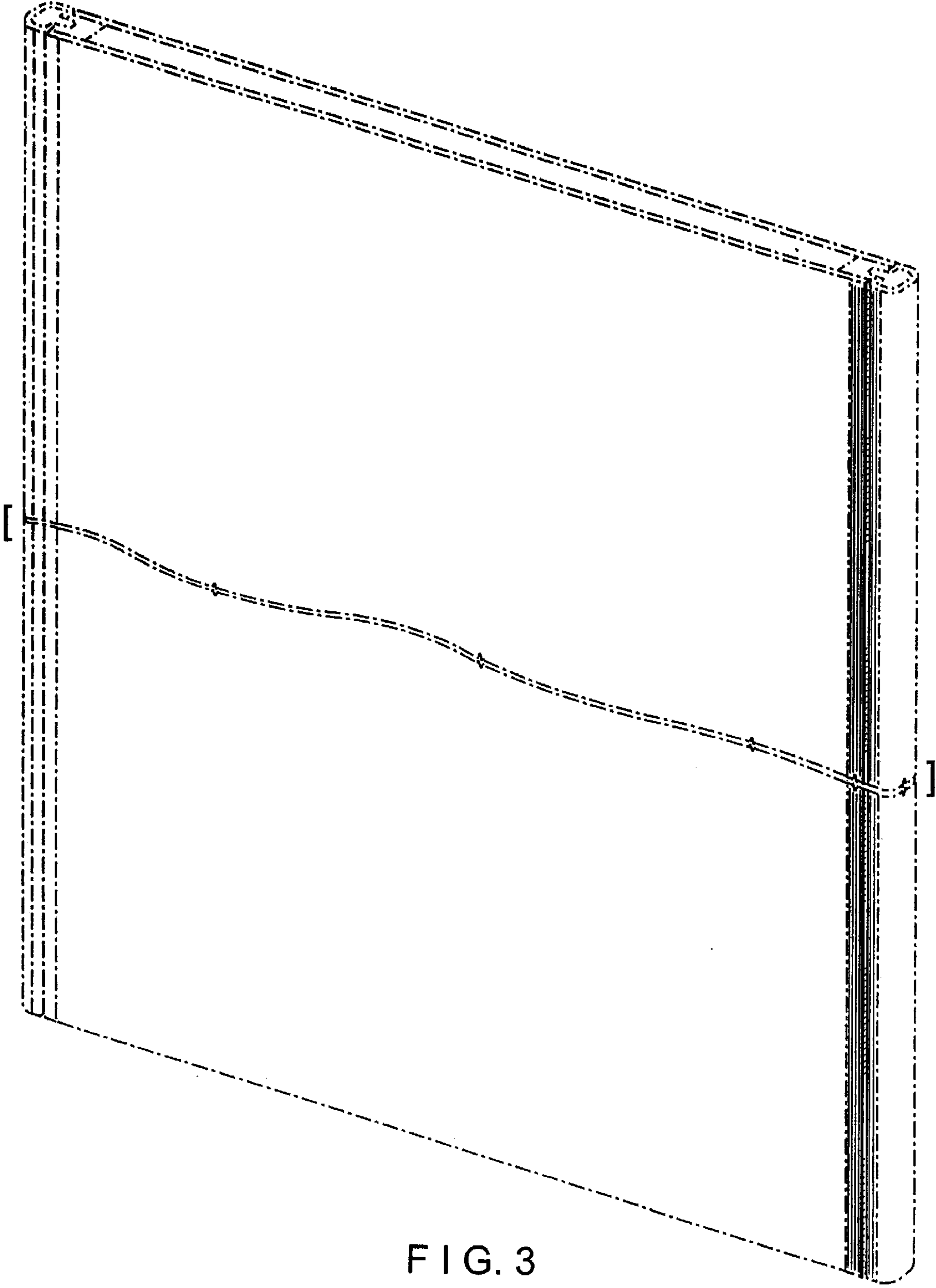


FIG. 3

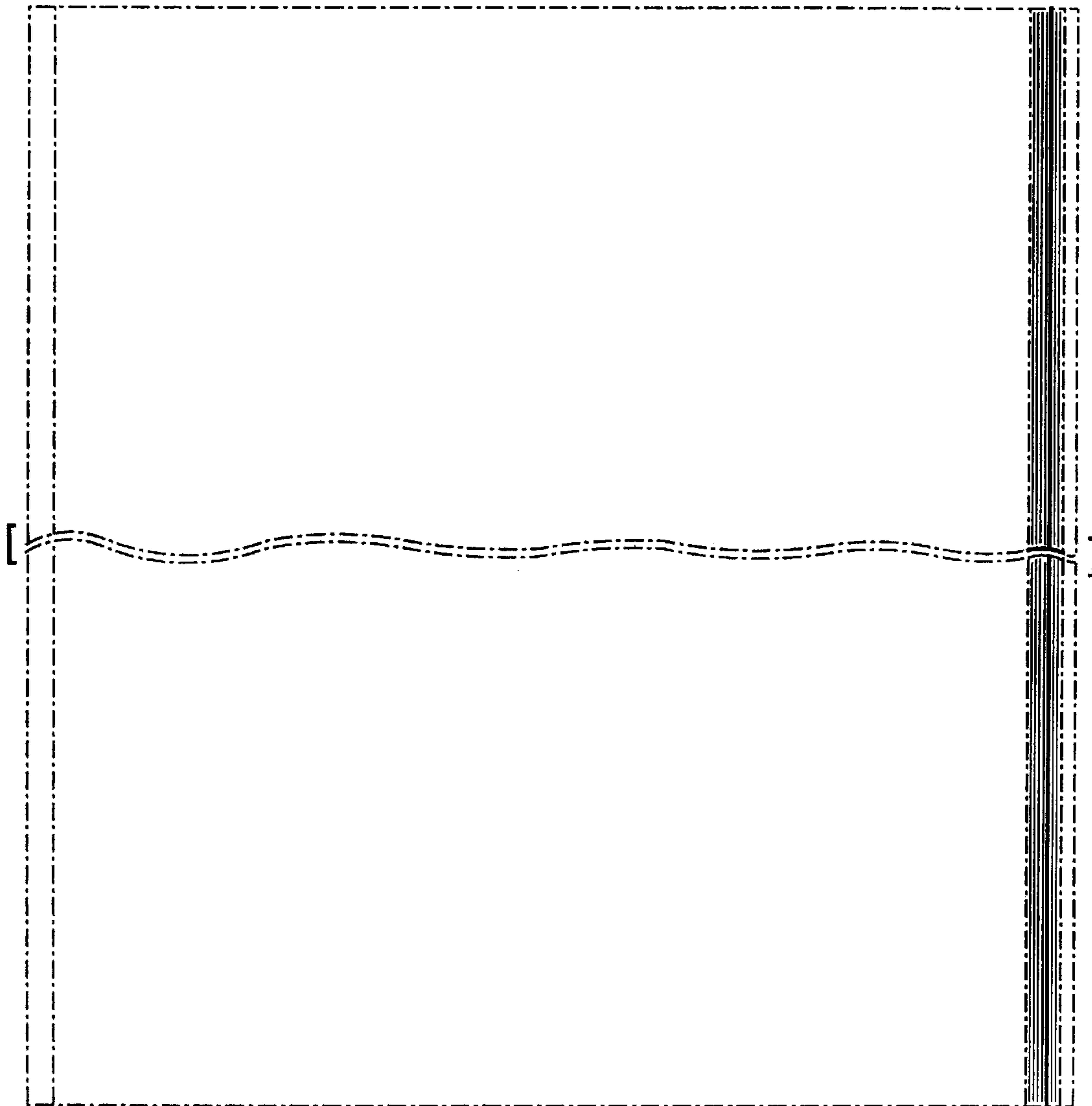


FIG. 4