



US00D517694S

(12) **United States Design Patent**  
**Wilshire et al.**

(10) **Patent No.:** **US D517,694 S**  
(45) **Date of Patent:** **\*\* Mar. 21, 2006**

- (54) **TIP PORTION OF AN INFUSOR**
- (75) Inventors: **Gilbert B. Wilshire**, Falls Church, VA (US); **Ernesto E. Blanco**, Belmont, MA (US)
- (73) Assignee: **Erblan Surgical, INC**, Belmont, MA (US)
- (\*\*) Term: **14 Years**

5,364,372 A	11/1994	Danks et al.	
5,366,445 A	* 11/1994	Haber et al. ....	604/164.01
5,387,197 A	2/1995	Smith et al.	
5,399,167 A	3/1995	Deniega	
5,431,676 A	7/1995	Dubrul et al.	
5,522,833 A	6/1996	Stephens et al.	
5,545,150 A	8/1996	Danks et al.	
5,569,160 A	10/1996	Sauer et al.	
5,607,440 A	3/1997	Danks et al.	
5,609,604 A	* 3/1997	Schwemberger et al. ...	606/185
5,620,456 A	4/1997	Sauer et al.	

(21) Appl. No.: **29/187,968**

(Continued)

(22) Filed: **Aug. 12, 2003**

**FOREIGN PATENT DOCUMENTS**

- (51) **LOC (8) Cl.** ..... **24-02**
- (52) **U.S. Cl.** ..... **D24/146; D24/130; D24/147**
- (58) **Field of Classification Search** ..... **D24/112, D24/146, 108, 130, 147; 606/185, 169, 170, 606/167, 184; 604/164.06, 164.01, 164.11, 604/264, 274, 506, 523; 600/566, 567**  
See application file for complete search history.

WO	WO 00/54648	9/2000
WO	WO 00/78387	12/2000
WO	WO 02/28295	4/2002

**OTHER PUBLICATIONS**

Japanese Office Action for Japanese design application No. 2004-003320 w/English certified translation.

*Primary Examiner*—Ian Simmons

*Assistant Examiner*—Daniel Yu

(74) *Attorney, Agent, or Firm*—Oblon, Spivak, McClelland, Maier & Neustadt, P.C.

(56) **References Cited**

**U.S. PATENT DOCUMENTS**

4,513,754 A	*	4/1985	Lee	600/566
4,535,773 A		8/1985	Yoon	
4,863,441 A	*	9/1989	Lindsay et al.	604/523
5,009,643 A		4/1991	Reich et al.	
5,030,206 A		7/1991	Lander	
5,066,288 A		11/1991	Deniega et al.	
5,104,382 A		4/1992	Brinkerhoff et al.	
5,114,407 A		5/1992	Burbank	
5,116,353 A		5/1992	Green	
5,147,316 A		9/1992	Castillenti	
5,152,754 A		10/1992	Plyley et al.	
5,215,526 A		6/1993	Deniega et al.	
5,224,952 A		7/1993	Deniega et al.	
5,246,425 A		9/1993	Hunsberger et al.	
5,248,298 A		9/1993	Bedi et al.	
5,256,149 A		10/1993	Banik et al.	
5,267,965 A		12/1993	Deniega	
5,279,567 A		1/1994	Ciaglia et al.	
5,314,417 A		5/1994	Stephens et al.	
5,320,610 A		6/1994	Yoon	
D349,574 S	*	8/1994	Metcalf et al.	D24/146

(57) **CLAIM**

The ornamental design for a tip portion of an infusor, as shown and described.

**DESCRIPTION**

FIG. 1 is a top, front and left side elevational view of a third embodiment thereof;

FIG. 2 is a top plan view thereof, the bottom plan view being a mirror image of the plan view shown;

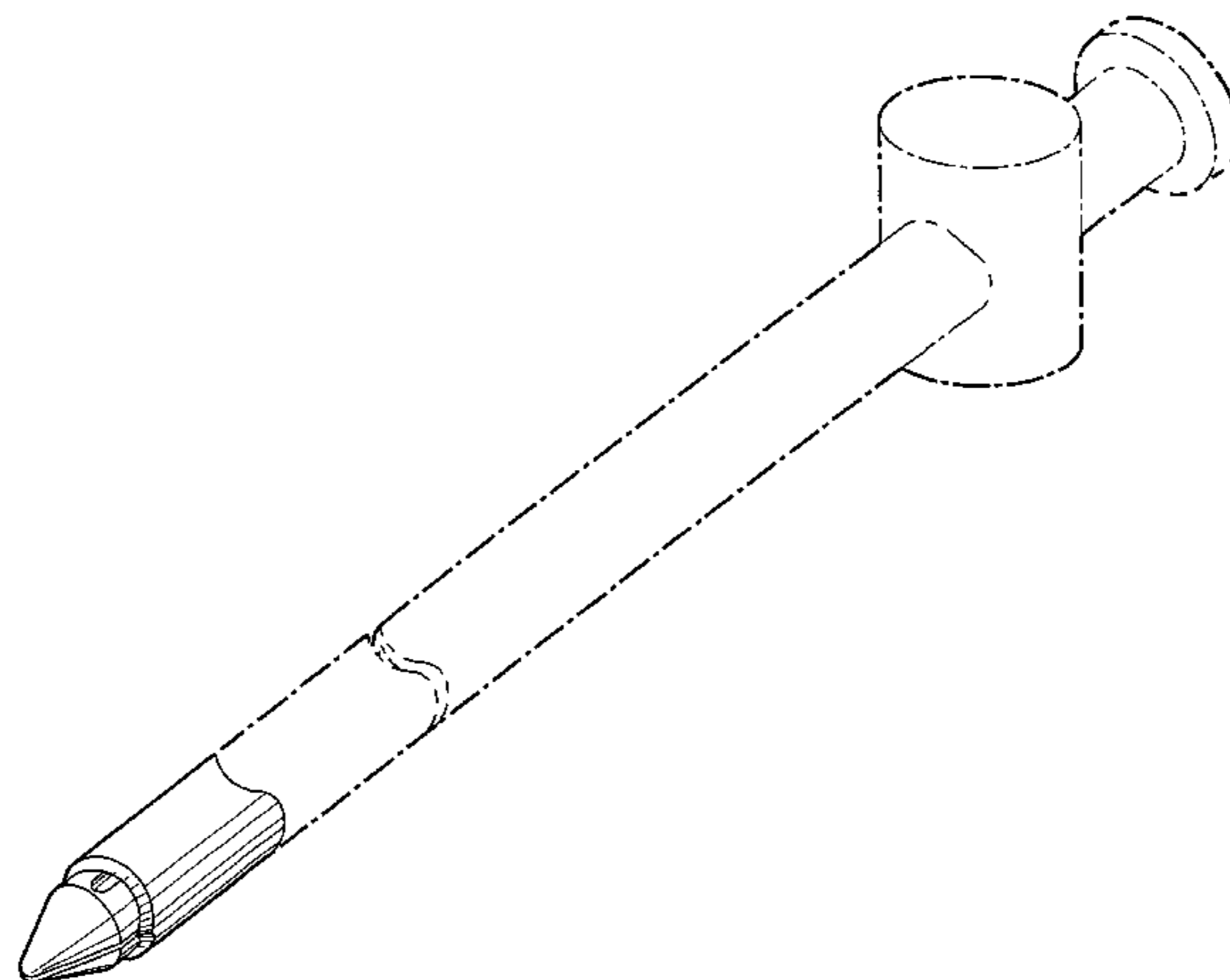
FIG. 3 is a front elevational view thereof, the rear elevational view being a mirror image of the front view shown;

FIG. 4 is a right side elevational view thereof; and,

FIG. 5 is a left side elevational view thereof.

The broken line showing in the drawings is for illustrative purposes only and forms no part of the claimed design.

**1 Claim, 3 Drawing Sheets**



# US D517,694 S

Page 2

## U.S. PATENT DOCUMENTS

5,624,459 A	4/1997	Kortenbach et al.	6,030,402 A	2/2000	Thompson et al.
5,658,236 A	8/1997	Sauer et al.	6,063,099 A	5/2000	Danks et al.
5,669,885 A	9/1997	Smith	6,080,174 A	6/2000	Dubrul et al.
5,674,237 A	10/1997	Ott	6,197,041 B1	3/2001	Shichman et al.
5,676,156 A *	10/1997	Yoon ..... 600/567	6,319,266 B1 *	11/2001	Stellon et al. .... 606/185
5,676,682 A	10/1997	Yoon	6,497,716 B1	12/2002	Green et al.
5,690,663 A	11/1997	Stephens	D497,669 S *	10/2004	Blanco ..... D24/146
5,690,664 A	11/1997	Sauer et al.	2001/0039430 A1	11/2001	Dubrul et al.
5,697,913 A	12/1997	Sierocuk et al.	2001/0041907 A1	11/2001	Hill
5,709,671 A *	1/1998	Stephens et al. .... 604/264	2002/0004646 A1	1/2002	Manhes
5,772,660 A	6/1998	Young et al.	2002/0007153 A1	1/2002	Wells et al.
5,776,112 A	7/1998	Stephens et al.	2002/0013597 A1	1/2002	McFarlane
5,797,943 A	8/1998	Danks et al.	2002/0019609 A1	2/2002	McFarlane
5,807,338 A	9/1998	Smith et al.	2002/0019639 A1	2/2002	Dom
5,824,002 A	10/1998	Gentelia et al.	2002/0026207 A1	2/2002	Stellon et al.
5,860,996 A	1/1999	Urban et al.	2002/0045846 A1	4/2002	Kaplon et al.
5,868,773 A	2/1999	Danks et al.	2002/0077637 A1	6/2002	Vargas et al.
5,879,332 A	3/1999	Schwemberger et al.	2002/0133188 A1	9/2002	O'Heeron et al.
5,895,403 A *	4/1999	Collinsworth ..... 606/184	2002/0143236 A1	10/2002	Sauer et al.
5,904,699 A	5/1999	Schwemberger et al.	2002/0156432 A1	10/2002	Racenet et al.
5,916,232 A	6/1999	Hart	2002/0156492 A1 *	10/2002	Timm et al. .... 606/169
5,941,852 A *	8/1999	Dunlap et al. .... 604/164.11	2002/0183775 A1 *	12/2002	Tsonton et al. .... 606/185
5,947,930 A	9/1999	Schwemberger et al.	2002/0188247 A1	12/2002	Peery
5,980,493 A	11/1999	Smith et al.	2002/0198554 A1	12/2002	Whitman et al.
5,984,941 A	11/1999	Wilson et al.	2003/0004528 A1	1/2003	Ishikawa
5,989,228 A	11/1999	Danks et al.	2003/0004529 A1	1/2003	Tsonton et al.
5,997,510 A	12/1999	Schwemberger	2003/0023257 A1	1/2003	Ishikawa et al.
6,017,356 A	1/2000	Frederick et al.	2003/0023259 A1	1/2003	Dubrul et al.

\* cited by examiner

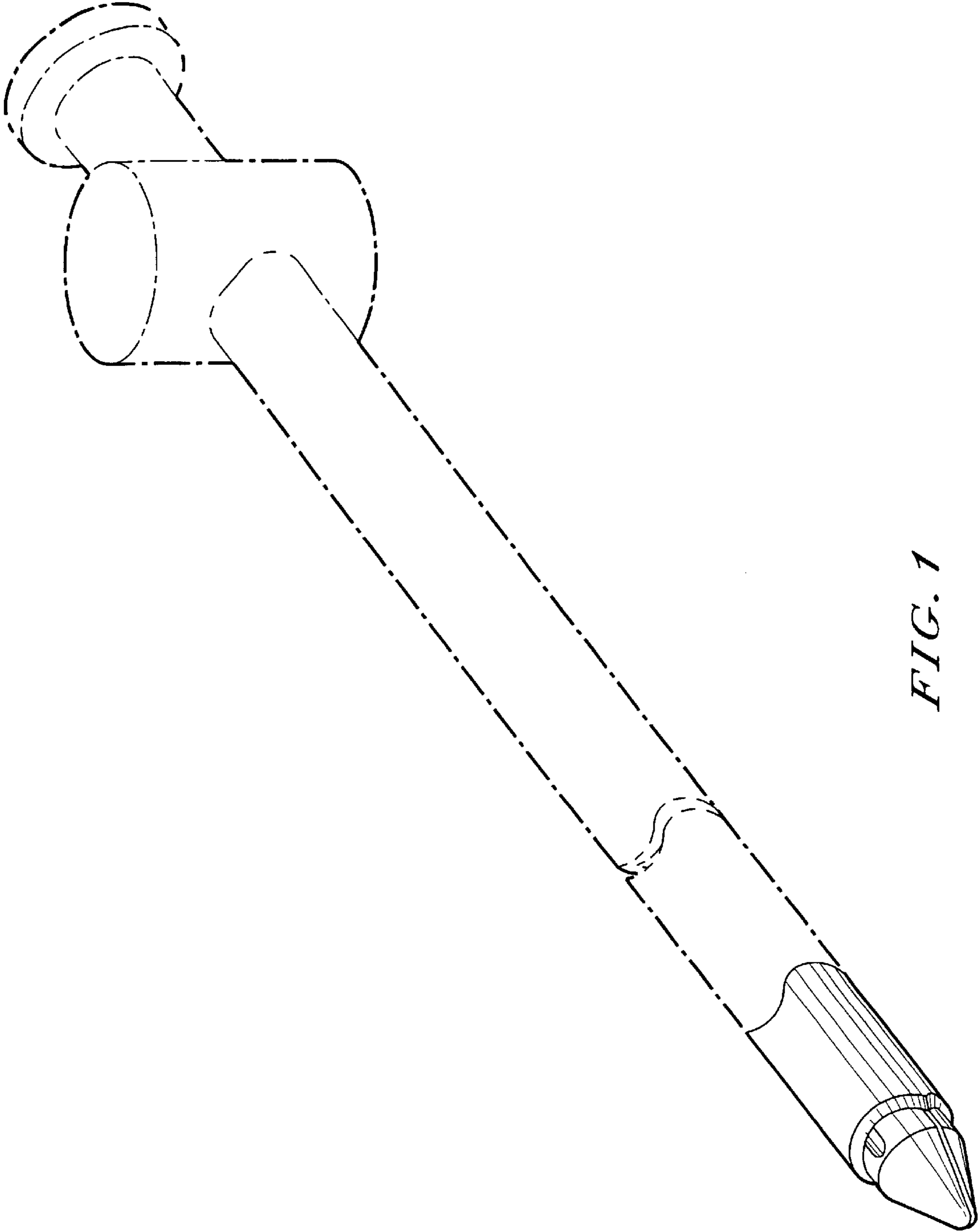
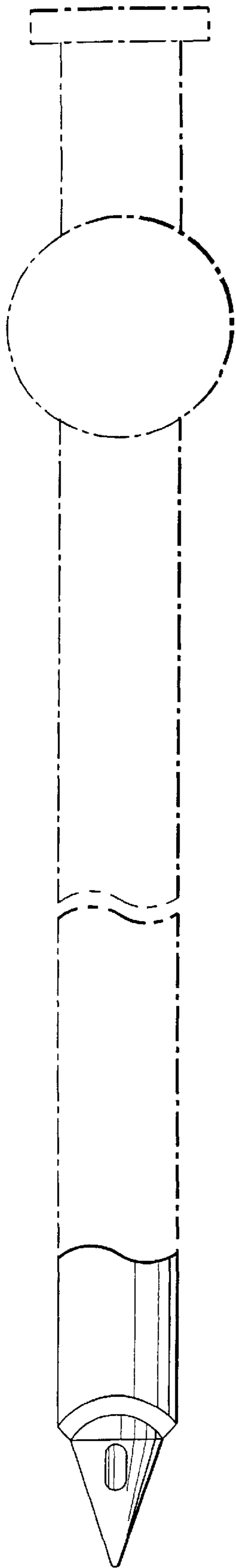
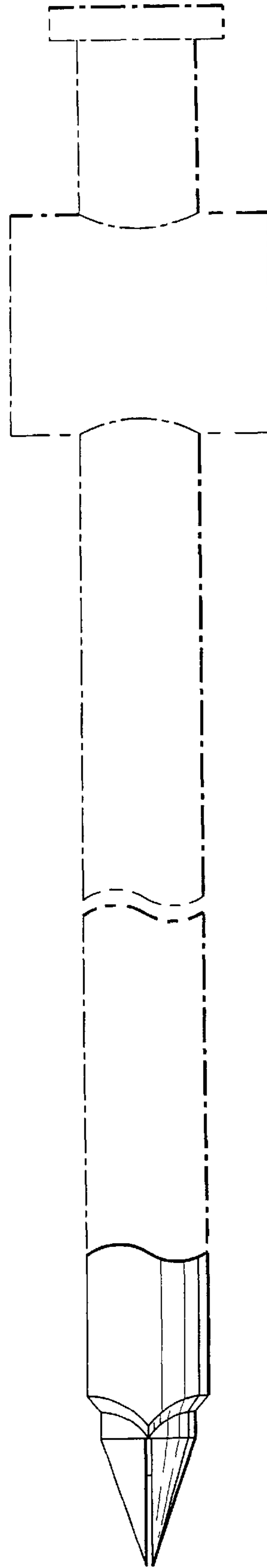


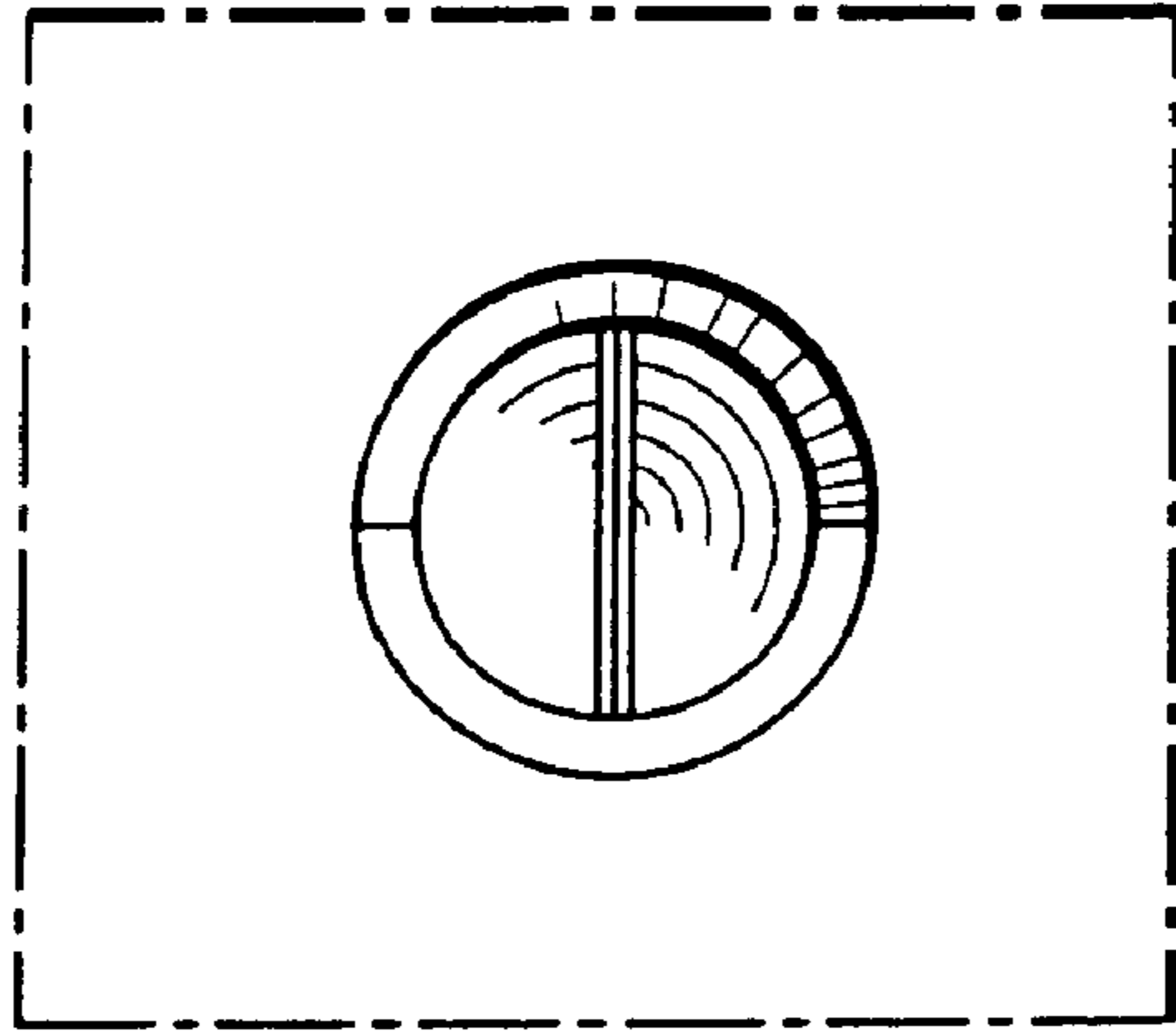
FIG. 1



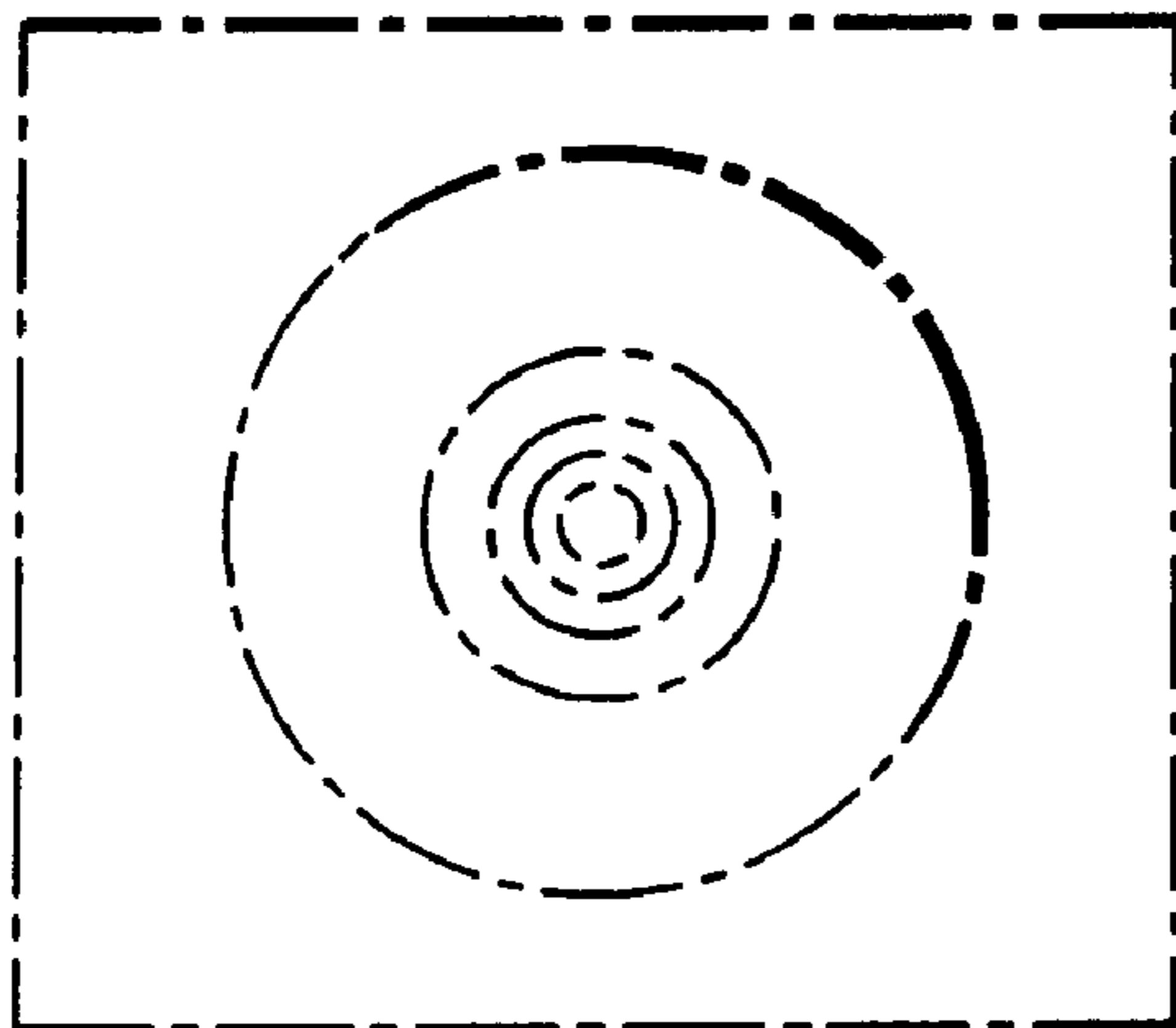
*FIG. 2*



*FIG. 3*



*FIG. 5*



*FIG. 4*