



US00D517689S

(12) **United States Design Patent**
Tai

(10) **Patent No.:** **US D517,689 S**
(45) **Date of Patent:** **** Mar. 21, 2006**

(54) **FAN BLADE**

D503,795 S * 4/2005 Tai D23/413

(75) Inventor: **Jen-Lung David Tai**, Glendale, AZ
(US)

* cited by examiner

(73) Assignee: **Air Cool Industrial Co. Ltd.**, Taichung
(TW)

Primary Examiner—Lisa Lichtenstein
(74) *Attorney, Agent, or Firm*—Parsons & Goltry; Michael
W. Goltry; Robert A. Parsons

(**) Term: **14 Years**

(57) **CLAIM**

(21) Appl. No.: **29/222,635**

The ornamental design for a fan blade, as shown and described.

(22) Filed: **Feb. 2, 2005**

DESCRIPTION

(51) **LOC (8) Cl.** **23-04**

FIG. 1 is a bottom perspective view of a fan blade showing my new design;

(52) **U.S. Cl.** **D23/413**

FIG. 2 is another perspective view thereof;

(58) **Field of Classification Search** D23/377,

FIG. 3 is a bottom plan view thereof;

D23/379, 385, 413, 411; 416/5

FIG. 4 is a top plan view thereof;

See application file for complete search history.

FIG. 5 is a left side elevational view thereof;

(56) **References Cited**

FIG. 6 is a right side elevational view thereof;

U.S. PATENT DOCUMENTS

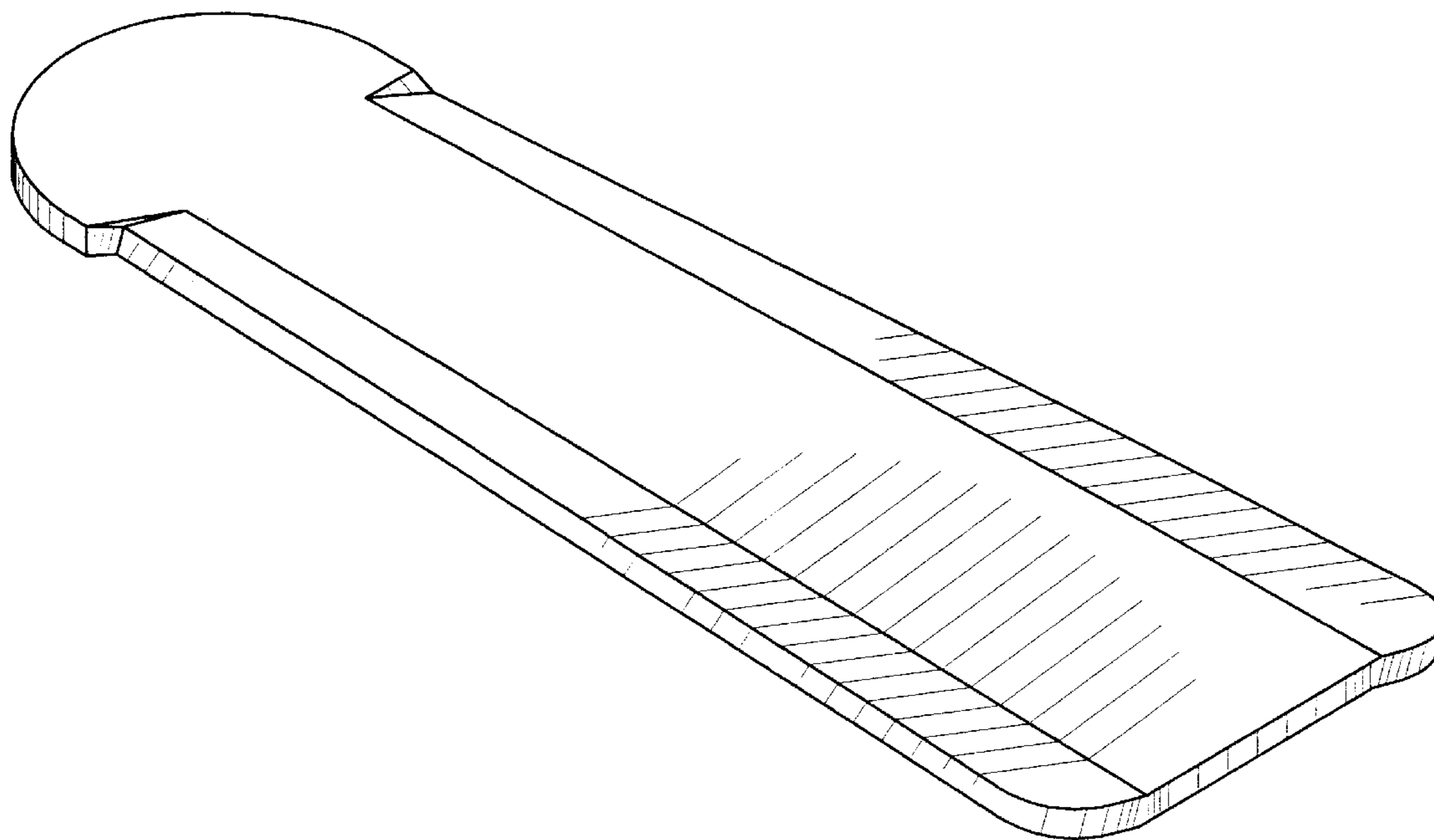
FIG. 7 is a front elevational view thereof; and,

D345,790 S * 4/1994 Caldwell D23/377

FIG. 8 is a rear elevational view thereof.

D503,472 S * 3/2005 Tai D23/413

1 Claim, 2 Drawing Sheets



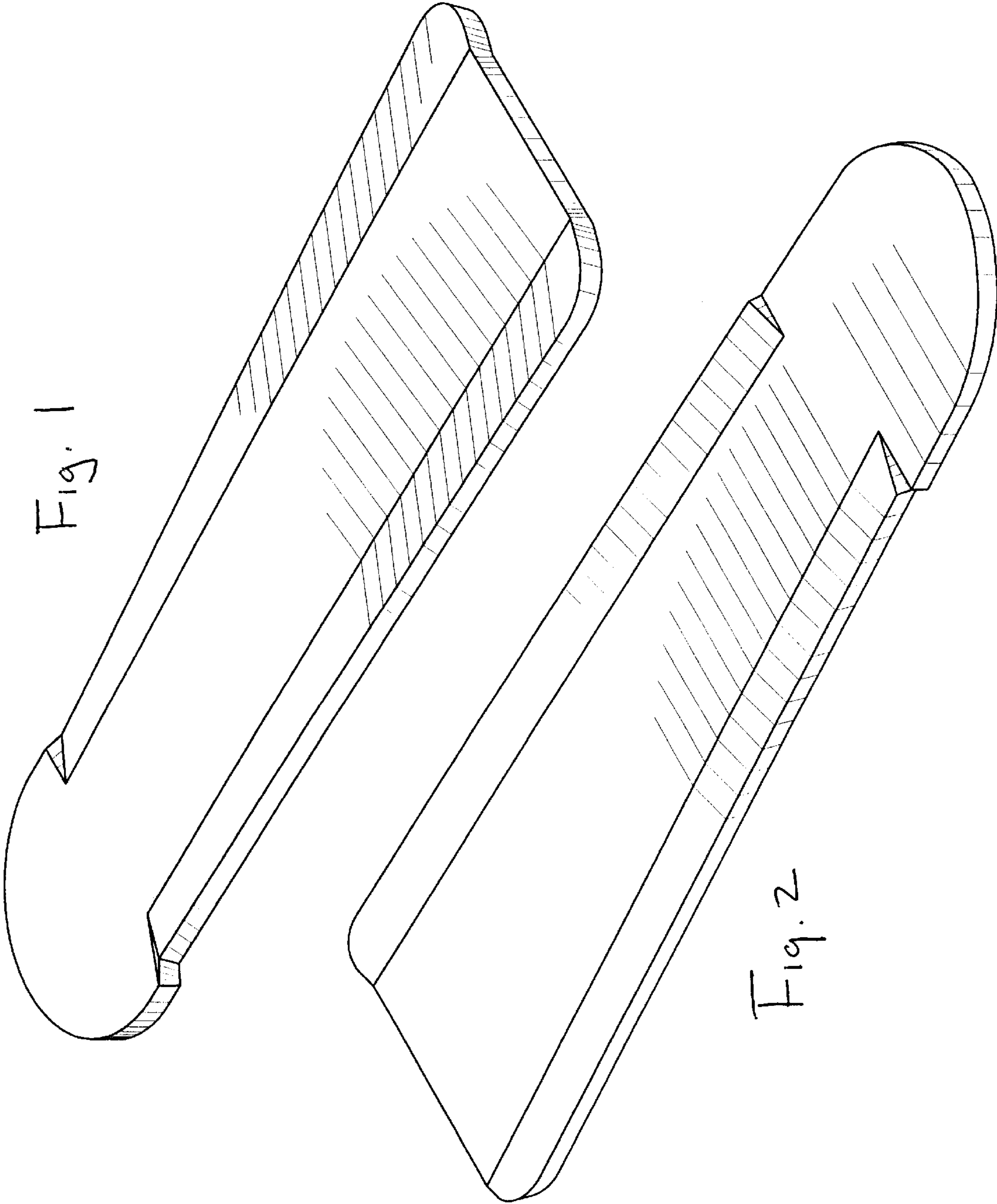


Fig. 1

Fig. 2

Fig. 8

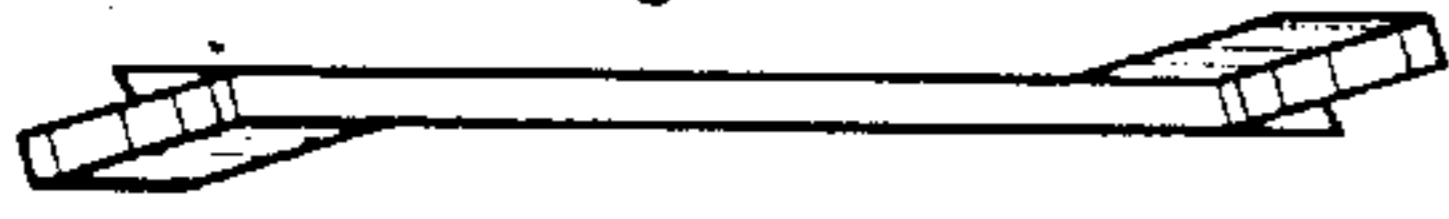


Fig. 5

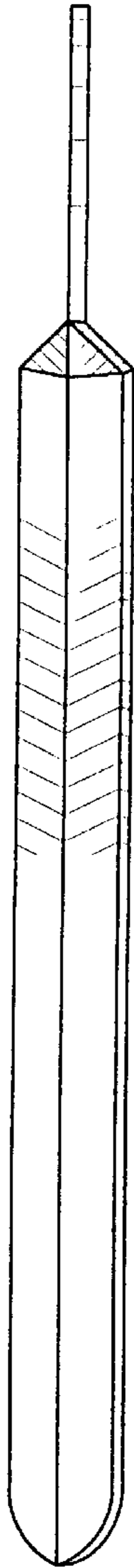


Fig. 6

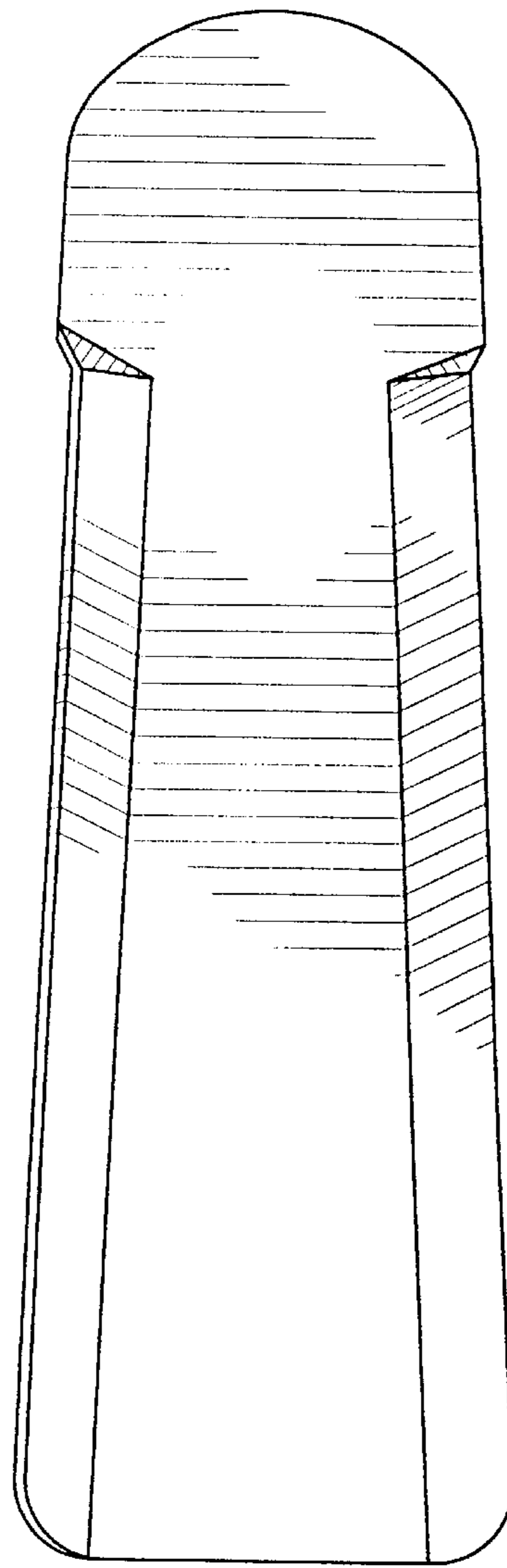
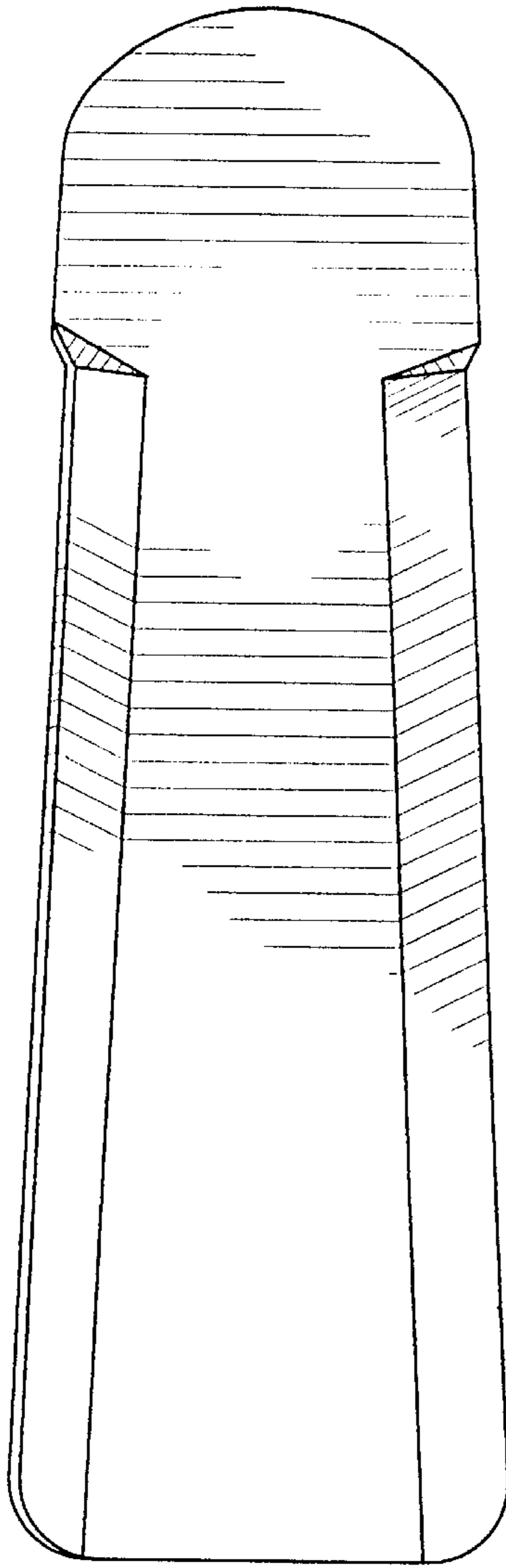
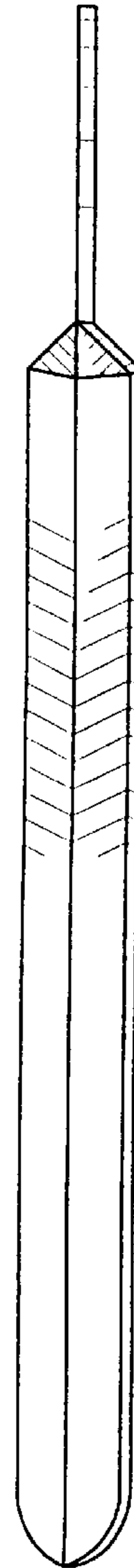


Fig. 3

Fig. 4

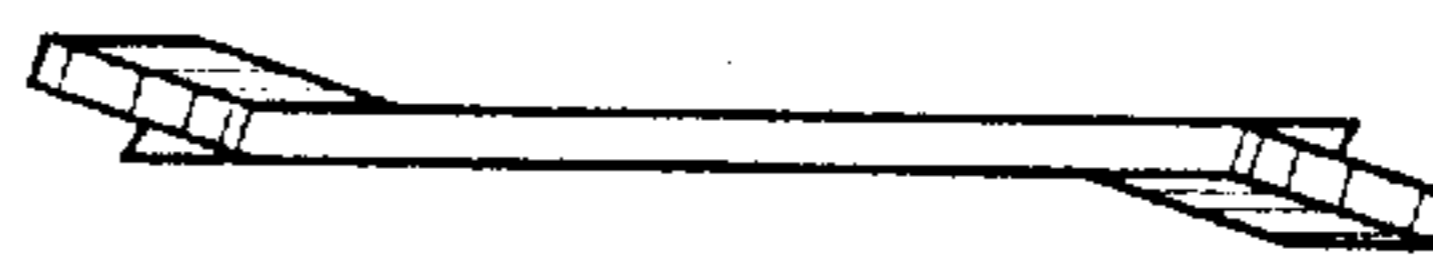


Fig. 7