



US00D517682S

(12) **United States Design Patent**
Frampton et al.

(10) **Patent No.: US D517,682 S**
(45) **Date of Patent: ** Mar. 21, 2006**

(54) **MOTOR HOUSING FOR A FAN ASSEMBLY**

(75) Inventors: **Thomas C. Frampton**, Zionsville, IN (US); **Tania N. Frampton**, Zionsville, IN (US)

(73) Assignee: **Fanimation, Inc.**, Zionsville, IN (US)

(**) Term: **14 Years**

(21) Appl. No.: **29/220,900**

(22) Filed: **Jan. 7, 2005**

(51) **LOC (8) Cl.** **23-04**

(52) **U.S. Cl.** **D23/411**

(58) **Field of Classification Search** D23/377,
D23/379, 385, 411, 413; 416/5
See application file for complete search history.

(56) **References Cited**

U.S. PATENT DOCUMENTS

- D305,059 S 12/1989 Miranda et al.
- D417,496 S 12/1999 Chang et al.
- D480,463 S * 10/2003 Gajewski D23/377

OTHER PUBLICATIONS

2002 Fanimation, Inc. catalog, Published at least as early as 2002, forty (40) pages.

* cited by examiner

Primary Examiner—Lisa Lichtenstein

(74) *Attorney, Agent, or Firm*—Maginot Moore & Beck

(57) **CLAIM**

The ornamental design for a motor housing for a fan assembly, as shown and described.

DESCRIPTION

FIG. 1 is a bottom perspective view of a motor housing for a fan assembly showing our new design;

FIG. 2 is a top plan view showing the design for the motor housing of FIG. 1;

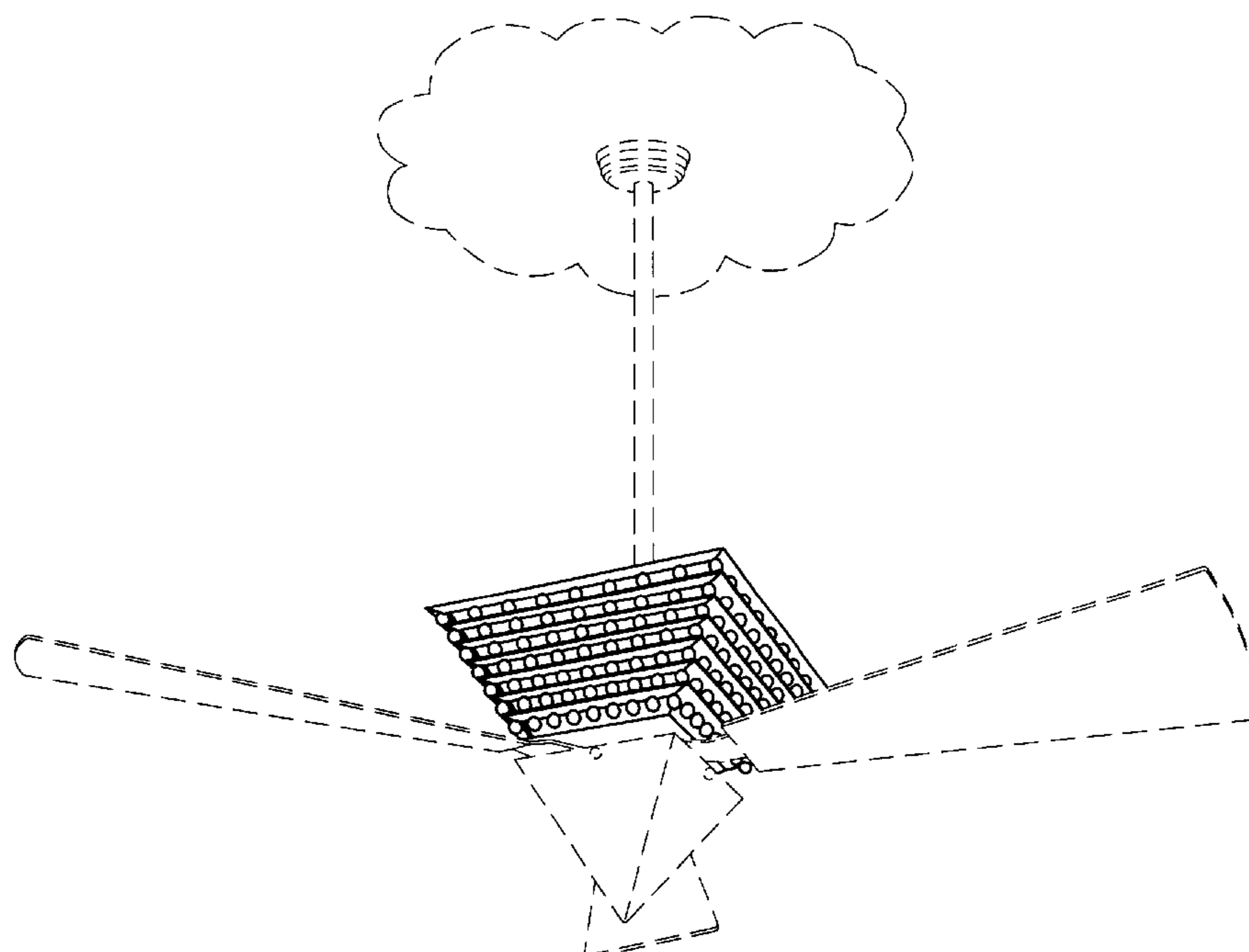
FIG. 3 is a front elevational view showing the design for the motor housing of FIG. 1 (note the front elevational view of the design of the motor housing of FIG. 1 is identical in appearance to each of (i) a rear elevational view of the design of the motor housing of FIG. 1, (ii) a left side elevational view of the design of the motor housing of FIG. 1, and (iii) a right side elevational view of the design of the motor housing of FIG. 1);

FIG. 4 is a bottom plan view showing the design of the motor housing of FIG. 1; and,

FIG. 5 is top perspective view showing the design for the motor housing of FIG. 1.

In FIGS. 1–5, the broken line showing of various items including (i) the central vertical support member (FIGS. 1–3 and 5), (ii) a portion of the ceiling to which the central vertical support member is attached (FIG. 1), (iii) the features at the top of the motor housing (FIGS. 2 and 5), (iv) the fan blades and associated mounting apparatus (FIGS. 1–5), and (v) the light cover located below the motor housing and associated fastener members (FIGS. 1 and 3–5) is for illustrative purposes only and forms no part of the claimed design.

1 Claim, 5 Drawing Sheets



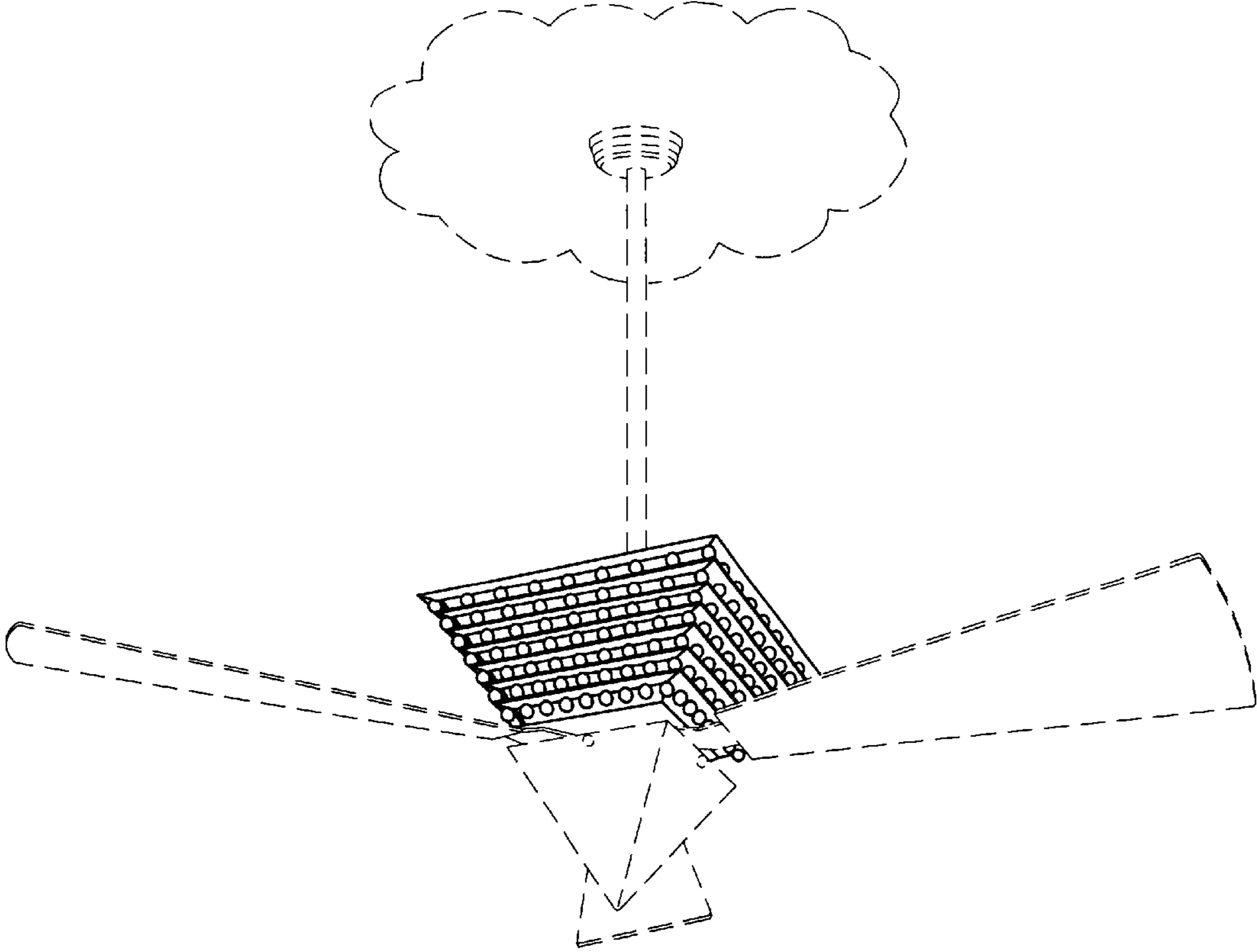


Fig. 1

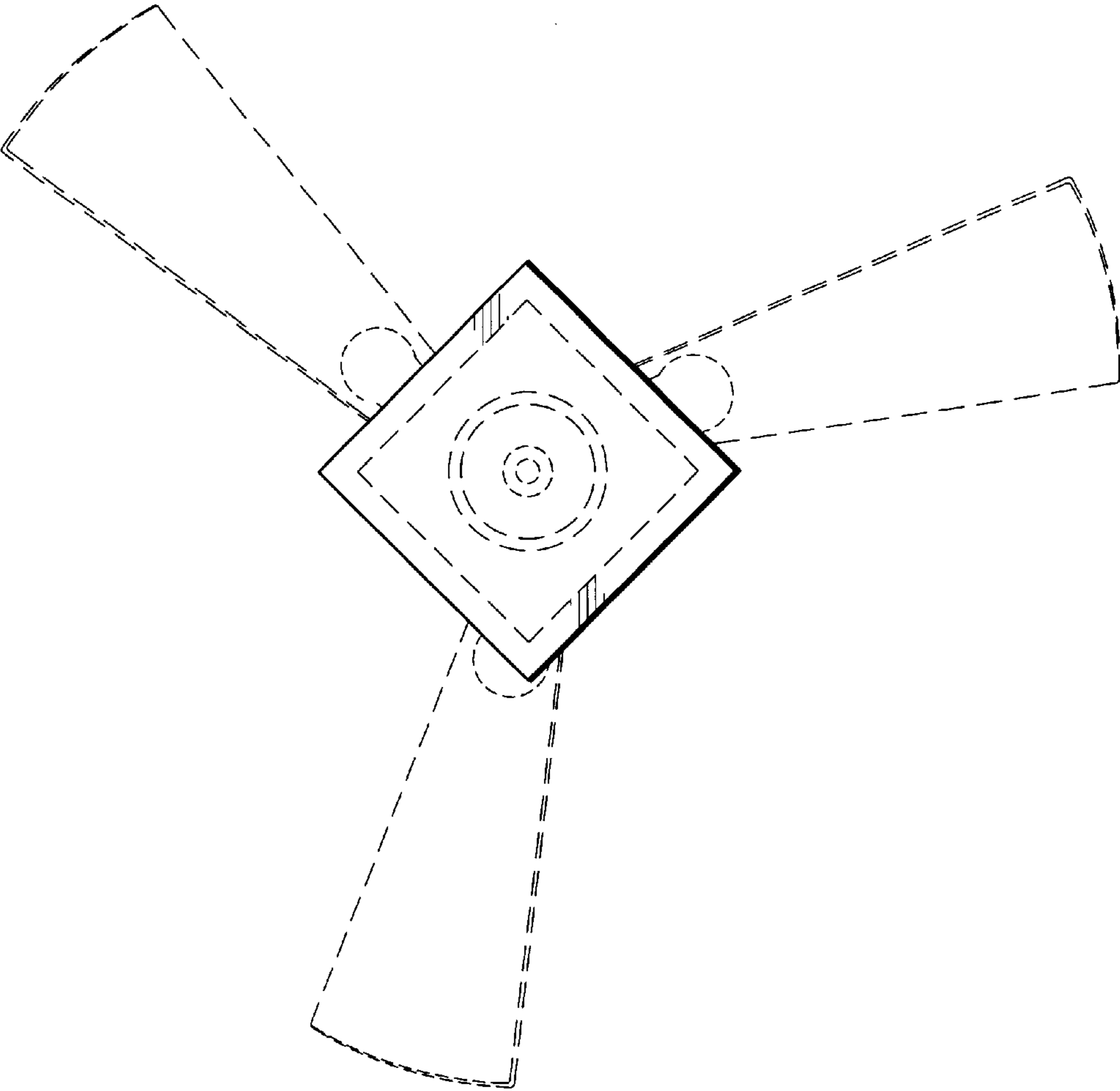


Fig. 2

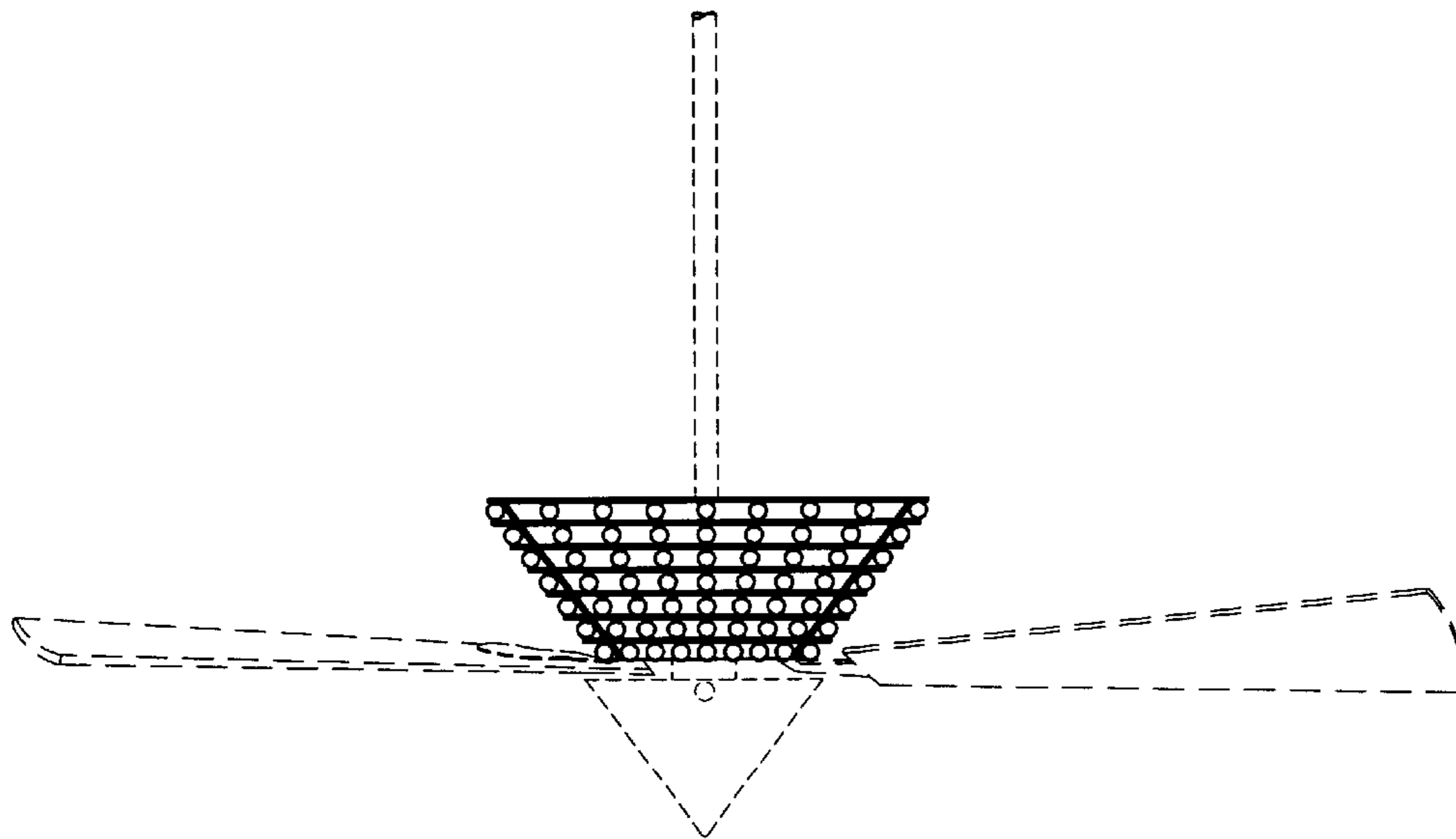


Fig. 3

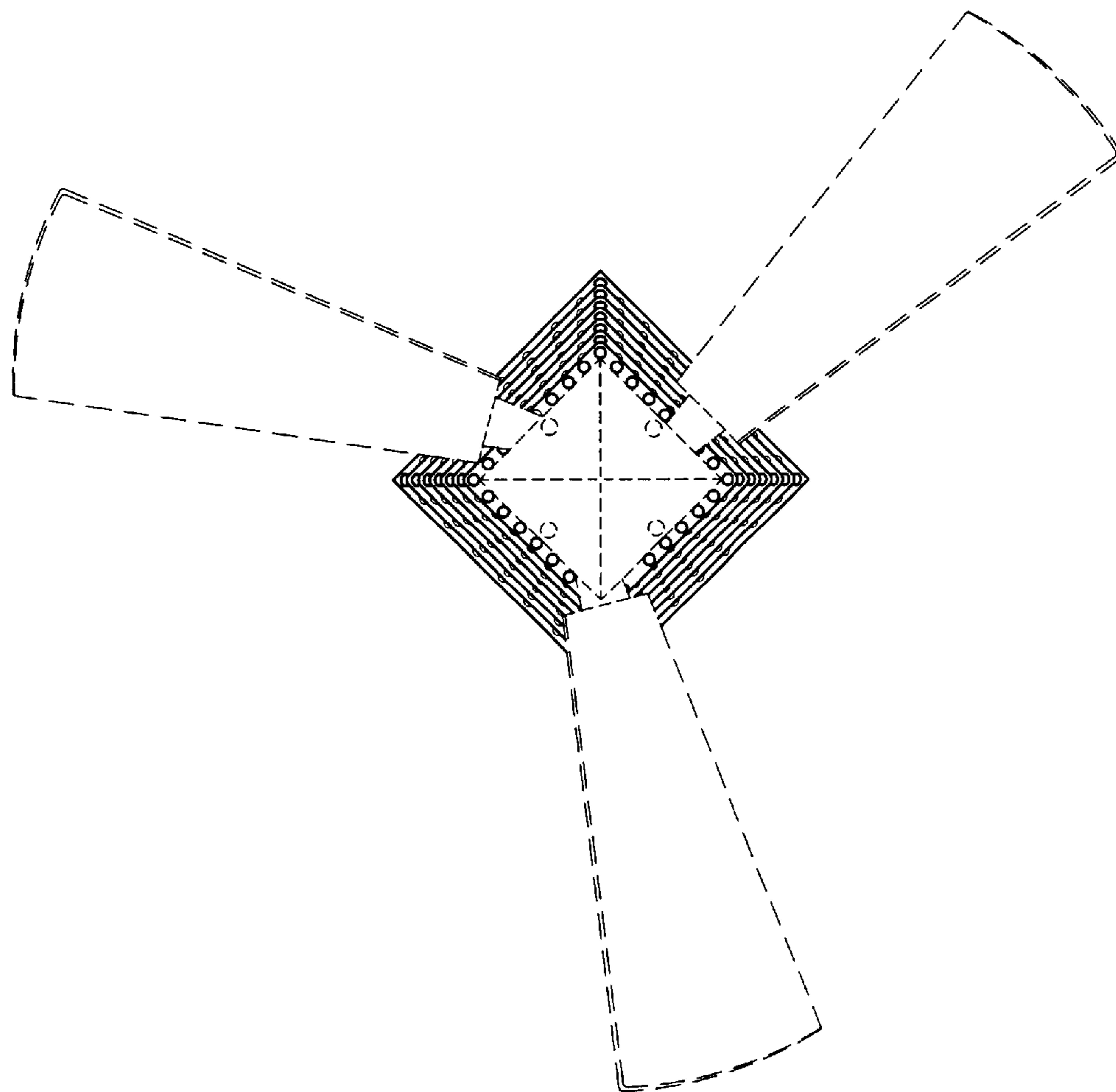


Fig. 4

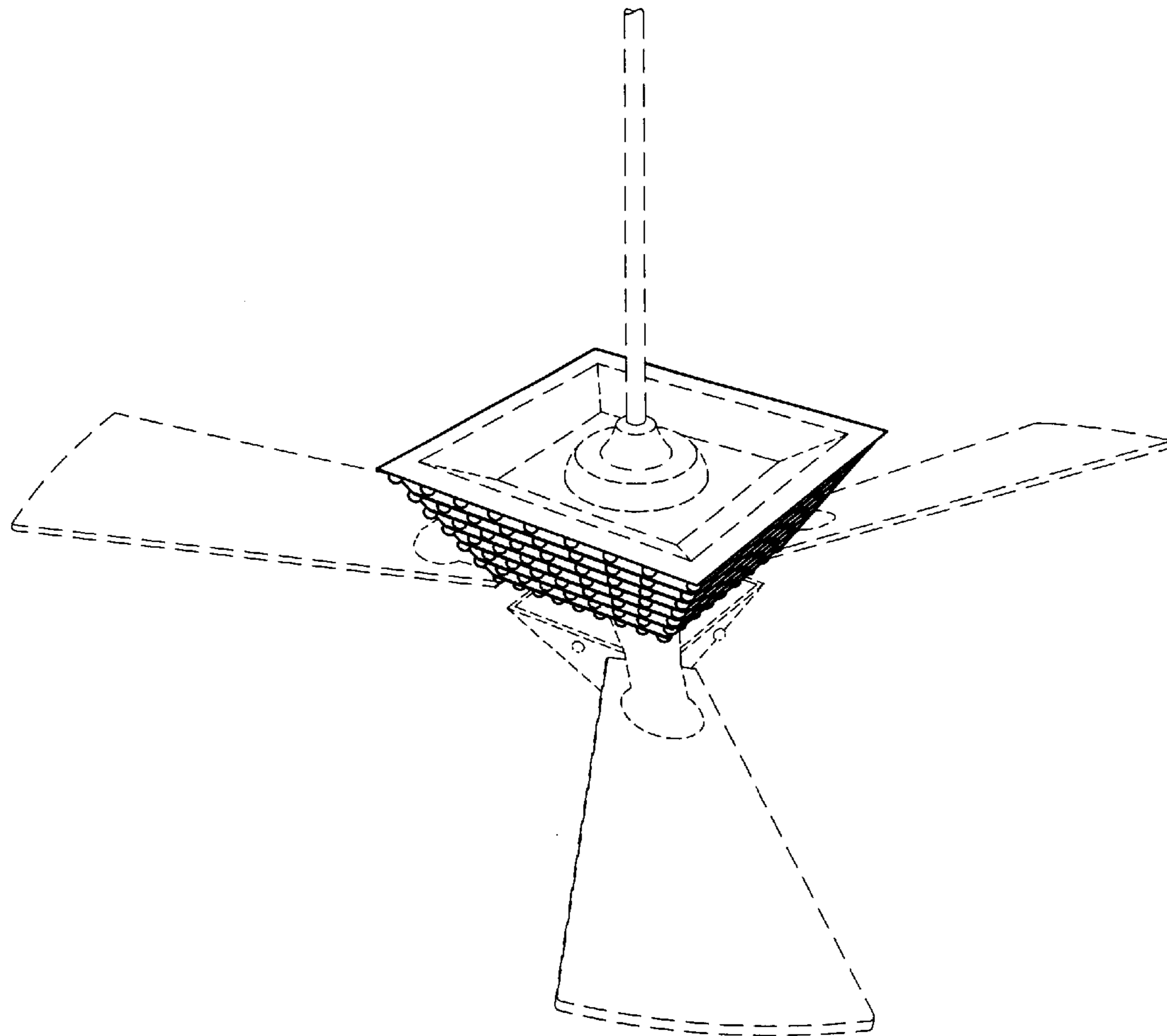


Fig. 5