



US00D517681S

(12) **United States Design Patent**
Butler

(10) **Patent No.:** **US D517,681 S**
(45) **Date of Patent:** **** Mar. 21, 2006**

(54) **VERTICAL FIREPIT GRATE**

(76) **Inventor:** **Bruce A. Butler**, 3 Rivendall Dr.,
Knoxville, TN (US) 37922

(**) **Term:** **14 Years**

(21) **Appl. No.:** **29/202,404**

(22) **Filed:** **Mar. 30, 2004**

(51) **LOC (8) Cl.** **23-03**

(52) **U.S. Cl.** **D23/403**

(58) **Field of Classification Search** D23/403-406,
D23/409-410, 415-419, 499, 396-402, 343-347,
D23/350; D25/55, 59, 60; D7/332-335, 339-340,
D7/347-349, 653; D8/DIG. 4; 126/500, 540,
126/543-544, 547; 52/36.3; 16/DIG. 11;
294/14

See application file for complete search history.

(56) **References Cited**

U.S. PATENT DOCUMENTS

D267,223 S * 12/1982 Hassett et al. D23/398
D267,464 S * 1/1983 Hassett et al. D23/398
D267,465 S * 1/1983 Hassett et al. D23/398
D267,466 S * 1/1983 Hassett et al. D23/398

4,369,762 A * 1/1983 Ziebert 126/541
5,035,438 A * 7/1991 Cronquist 280/79.5
D343,450 S * 1/1994 Doty D23/410
D363,000 S * 10/1995 Buff, IV D7/409
5,842,465 A * 12/1998 Cassidy 126/540
D477,062 S * 7/2003 Richard D23/348
6,637,713 B1 10/2003 Kleve et al.

* cited by examiner

Primary Examiner—Sandra S. Snapp

(74) *Attorney, Agent, or Firm*—Pitts & Brittan, P.C.

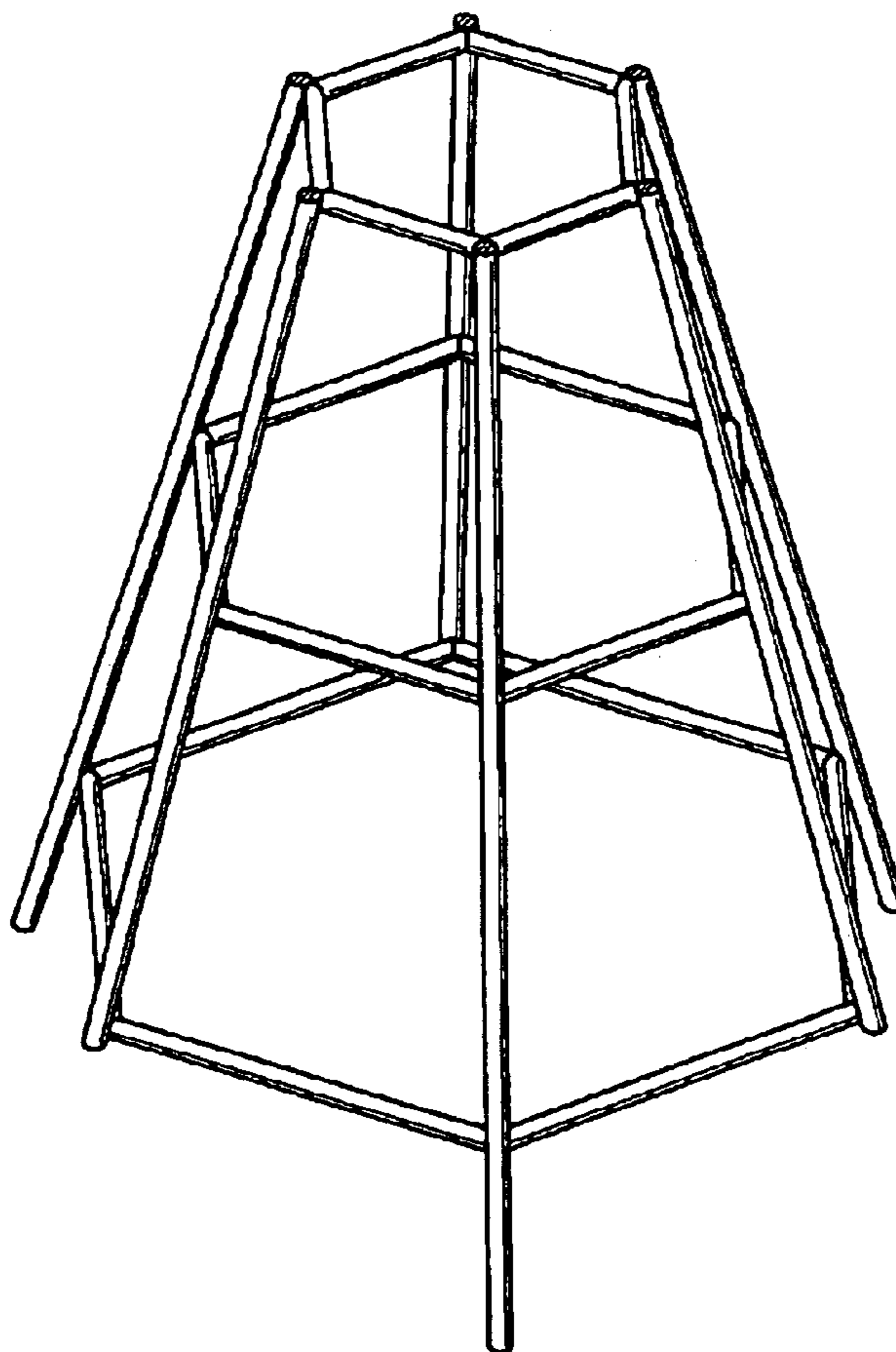
(57) **CLAIM**

The ornamental design for a vertical firepit grate, as shown and described.

DESCRIPTION

FIG. 1 is a perspective view of a vertical firepit grate of the present invention;
FIG. 2 is a front elevation view thereof;
FIG. 3 is a back elevation view thereof;
FIG. 4 is a right side elevation view thereof, the left side elevation view being a mirror image thereof;
FIG. 5 is a top plan view thereof; and,
FIG. 6 is a bottom plan view thereof.

1 Claim, 4 Drawing Sheets



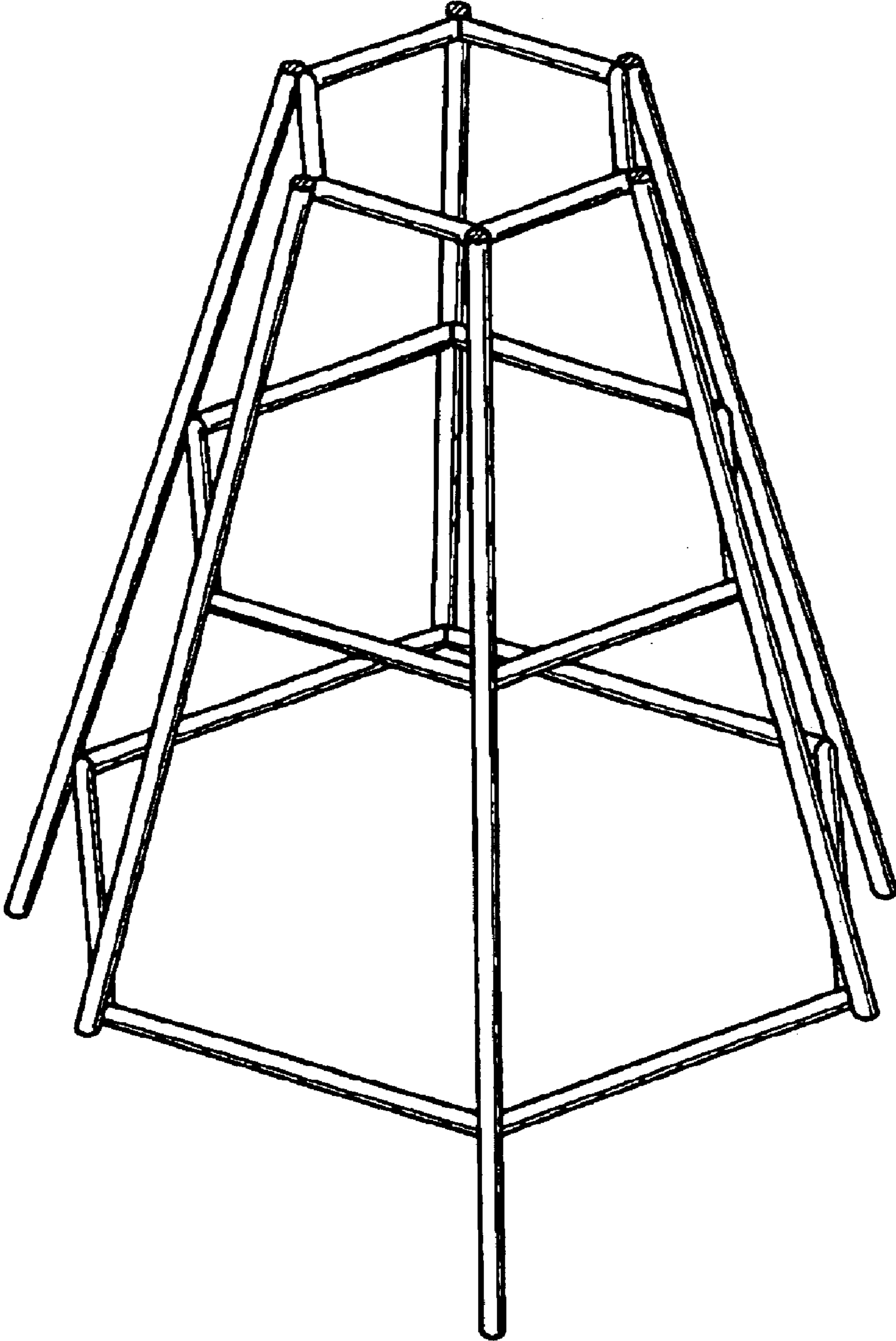


Fig. 1

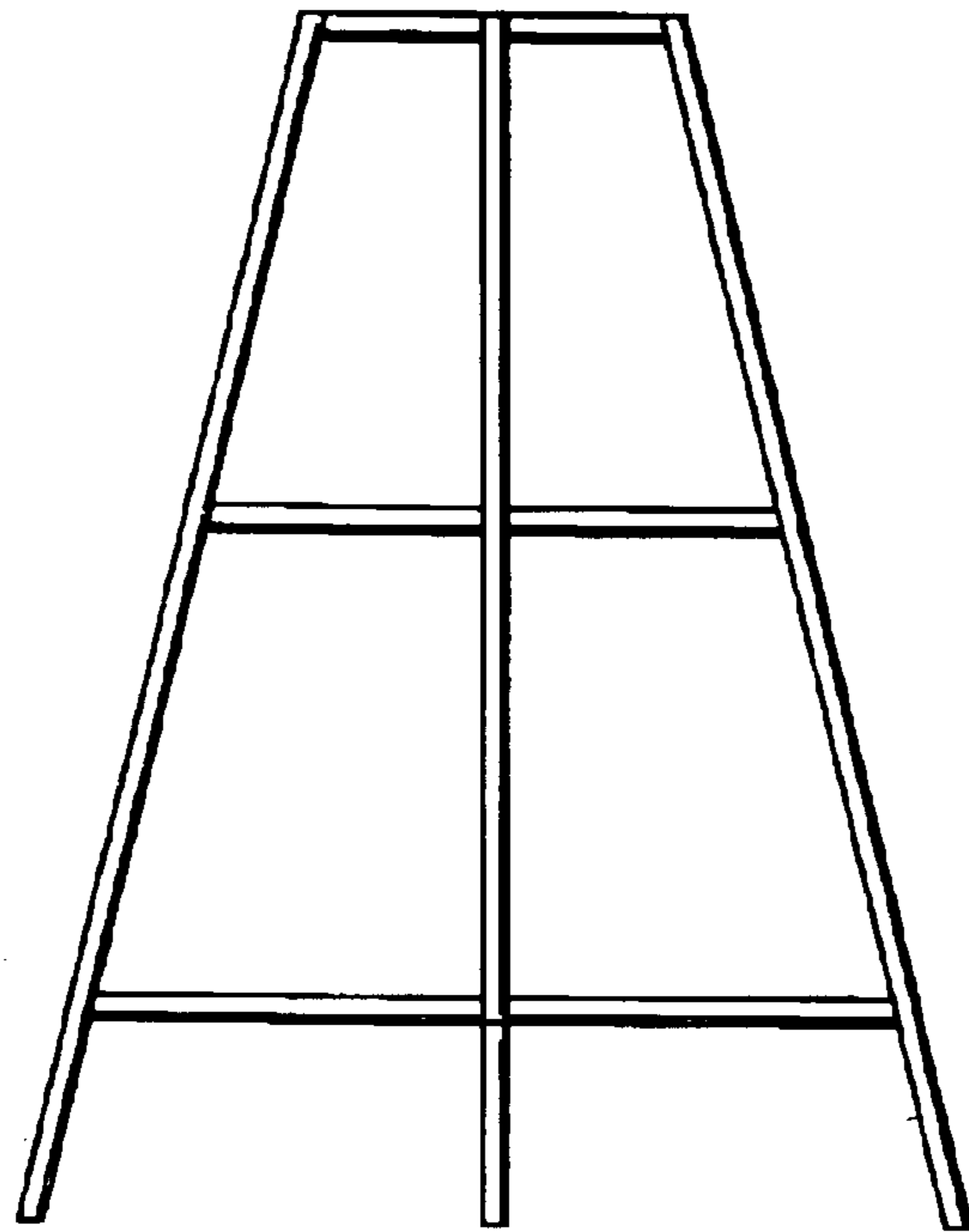


Fig. 2

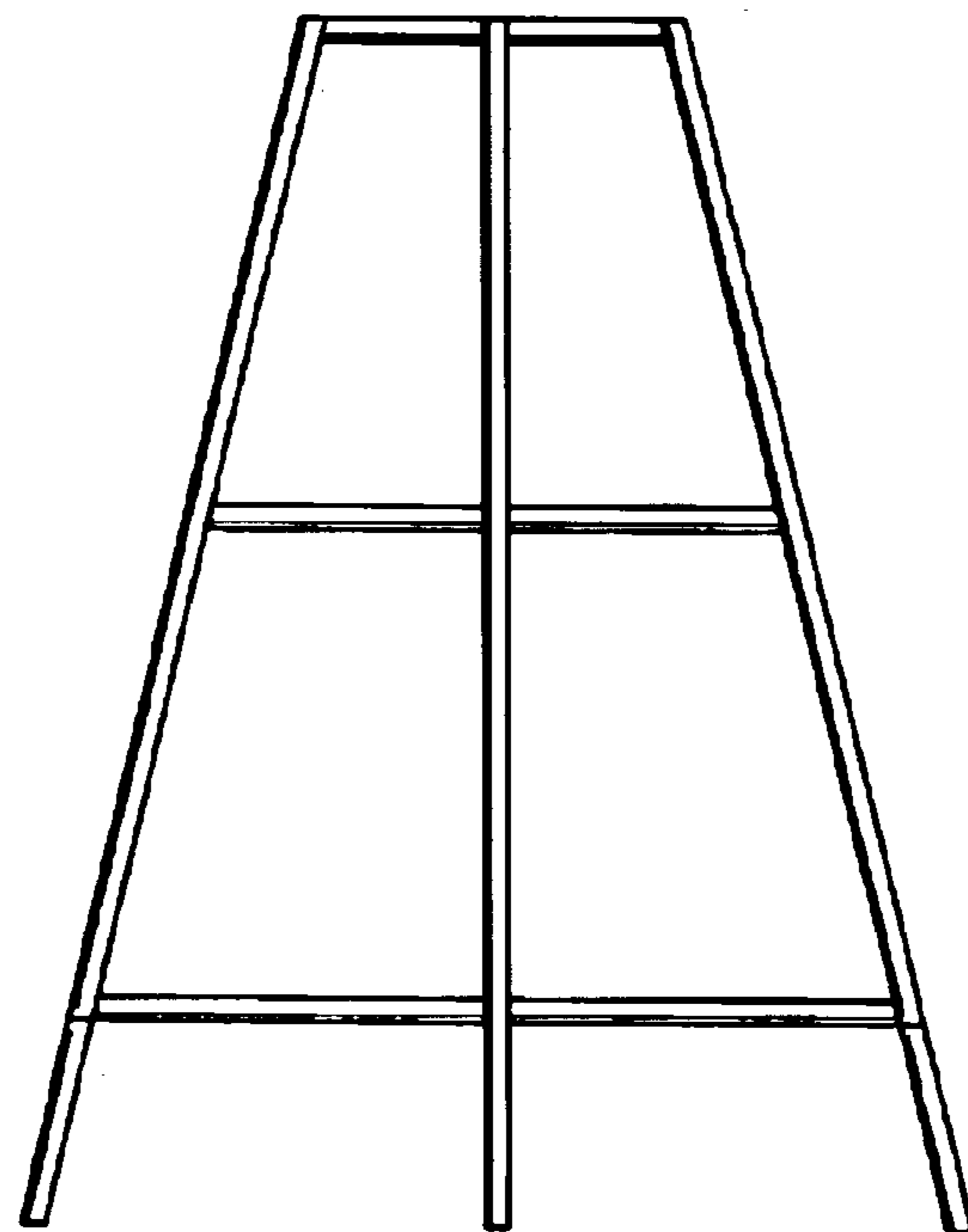


Fig. 3

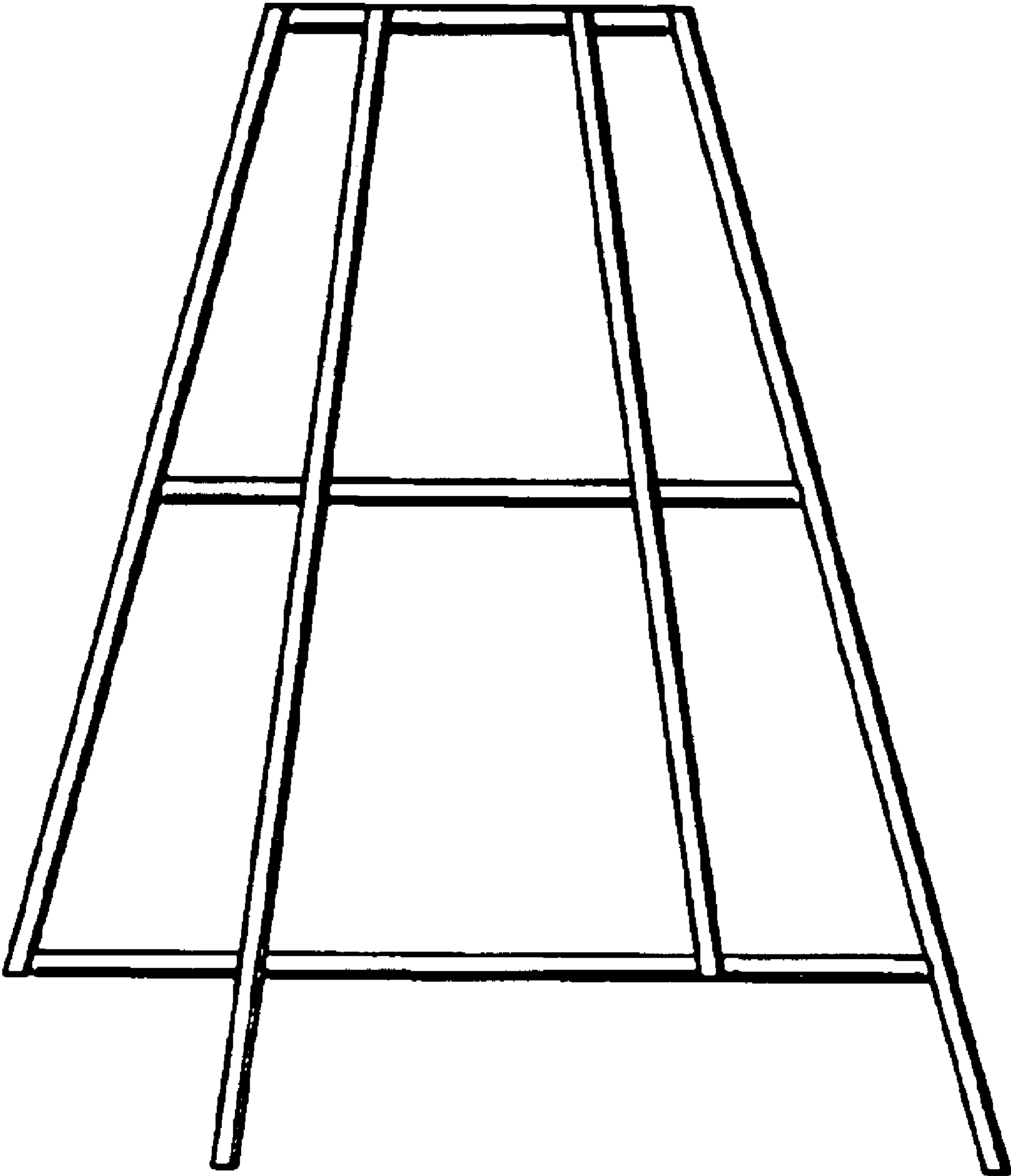


Fig. 4

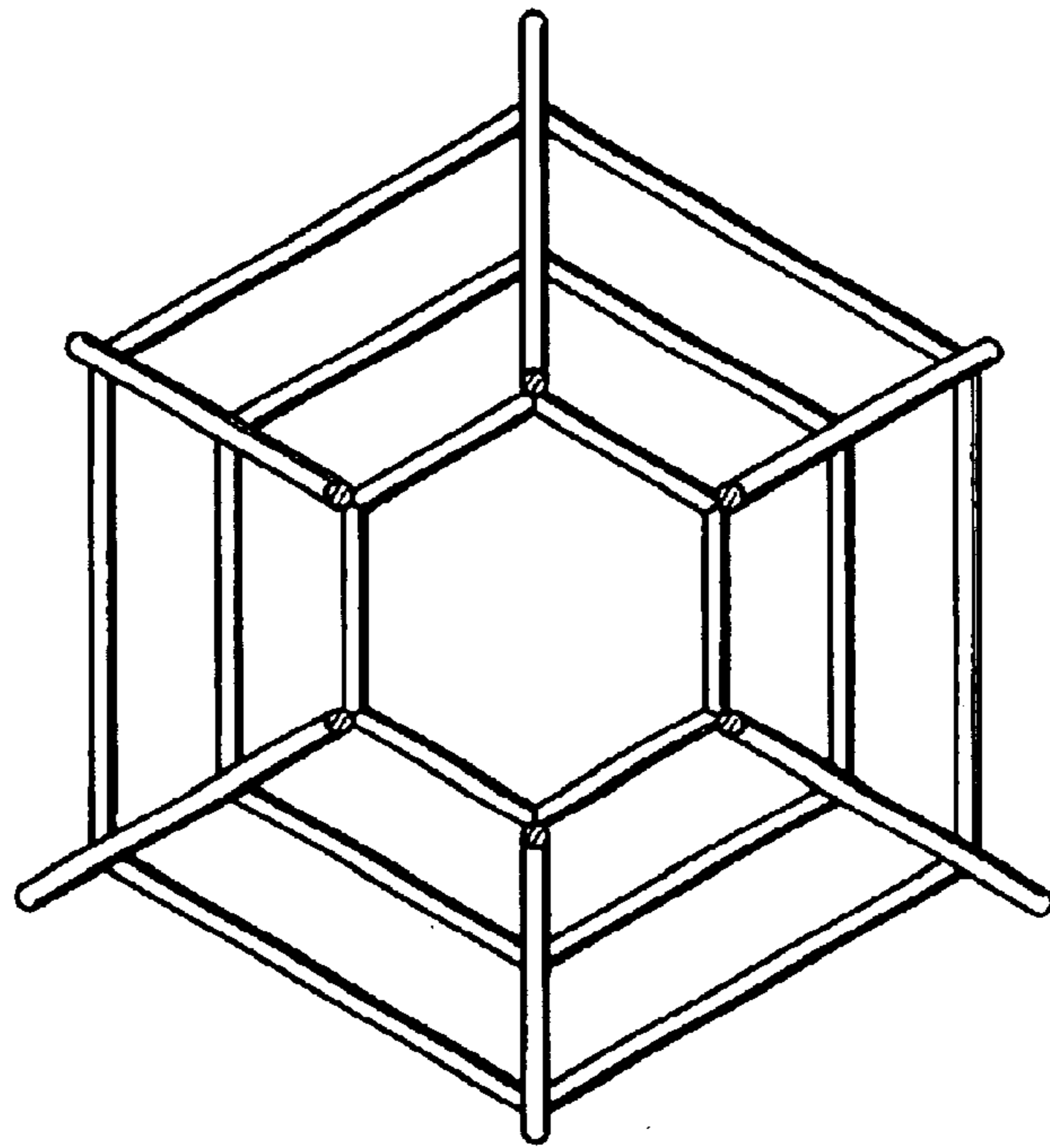


Fig. 5

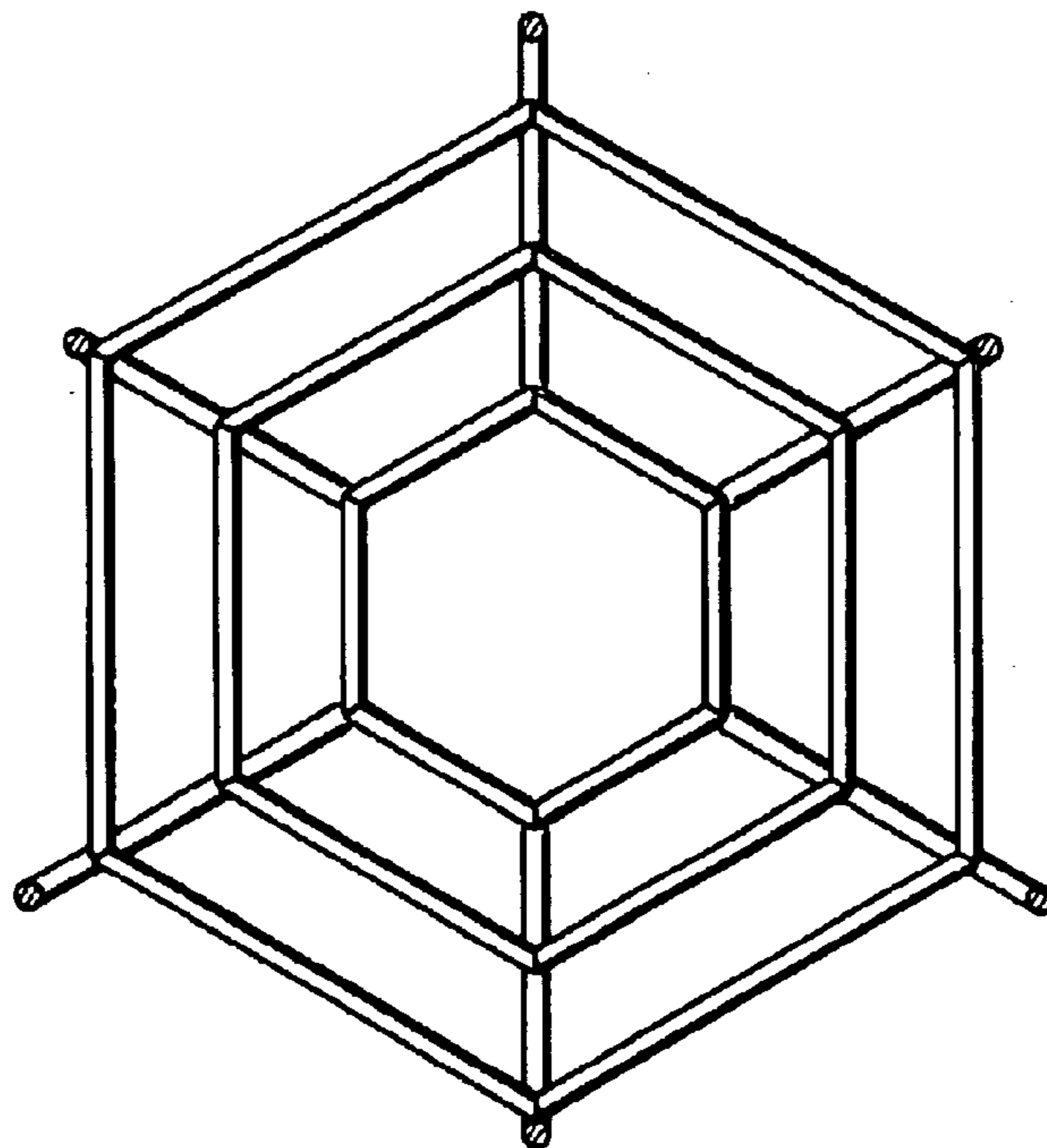


Fig. 6