



US00D517676S

(12) **United States Design Patent**  
**Young**

(10) **Patent No.:** **US D517,676 S**  
(45) **Date of Patent:** **\*\* Mar. 21, 2006**

(54) **COMBINATION CEILING FAN AND LIGHT FIXTURE**

*Primary Examiner*—Lisa Lichtenstein  
(74) *Attorney, Agent, or Firm*—Baker & McKenzie LLP

(75) Inventor: **Stanfield Young**, Los Alamitos, CA  
(US)

(57) **CLAIM**

The ornamental design for a combination ceiling fan and light fixture, as shown and described.

(73) Assignee: **Minka Lighting, Inc.**, Corona, CA  
(US)

(\*\*) Term: **14 Years**

**DESCRIPTION**

(21) Appl. No.: **29/227,261**

(22) Filed: **Apr. 8, 2005**

(51) **LOC (8) Cl.** ..... **23-04**

(52) **U.S. Cl.** ..... **D23/377; D23/379; D26/59**

(58) **Field of Classification Search** ..... **D23/377,**  
**D23/379, 385, 411, 413; 416/5; D26/59,**  
**D26/72, 51, 81–88; 362/96**

See application file for complete search history.

FIG. 1 is a perspective view from below of a combination ceiling fan and light fixture in accordance with my design; FIG. 2 is a reduced bottom plan view of the combination ceiling fan and light fixture in accordance with my design; FIG. 3 is a reduced top plan view of the combination ceiling fan and light fixture in accordance with my design; FIG. 4 is a front elevation view of the combination ceiling fan and light fixture in accordance with my design; FIG. 5 is a rear elevation view of the combination ceiling fan and light fixture in accordance with my design; FIG. 6 is a side elevation view of the combination ceiling fan and light fixture in accordance with my design; and, FIG. 7 is a side elevation view of the combination ceiling fan and light fixture in accordance with my design.

(56) **References Cited**

**U.S. PATENT DOCUMENTS**

D471,269 S	*	3/2003	Gajewski	.....	D23/377
D473,639 S	*	4/2003	Gajewski	.....	D23/411
D475,776 S	*	6/2003	Gajewski	.....	D23/377
D481,450 S	*	10/2003	Young	.....	D23/377
D481,454 S	*	10/2003	Young	.....	D23/411

**OTHER PUBLICATIONS**

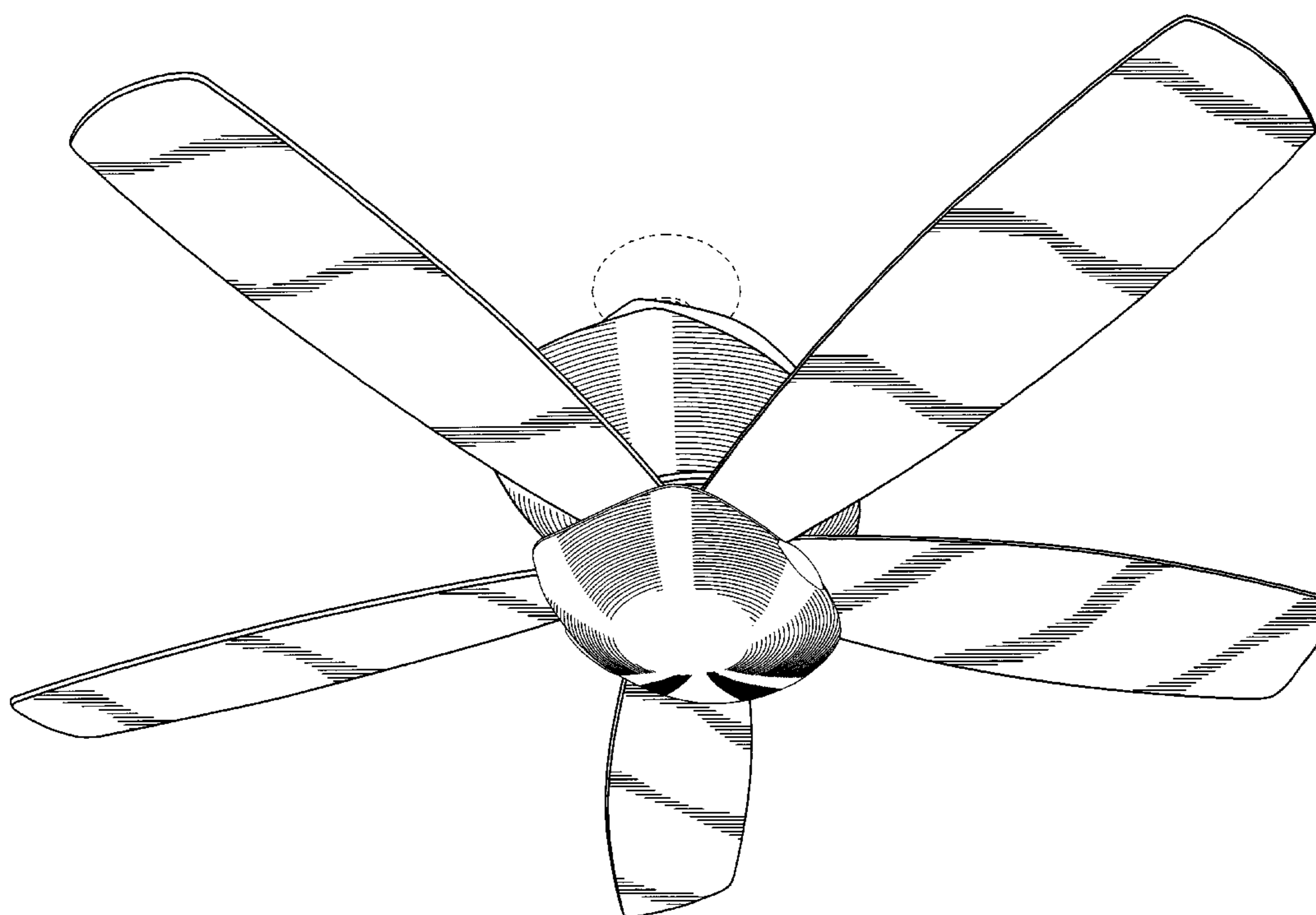
Minka Lighting, Inc.; MinkaAire 2005 catalog; Jan. 2005; pp. 34–35; Minka Lighting, Inc.; U.S.A.  
Artemide Internet Catalog; Creonte Suspension; printed from www.artemide.us on May 19, 2005.

\* cited by examiner

FIGS. 4 and 5 are identical except for the positioning of the fan blades.  
FIGS. 6 and 7 are identical except for the positioning of the fan blades.

The broken lines showing environmental structure are for illustrative purposes and form no part of the claimed design.

**1 Claim, 7 Drawing Sheets**



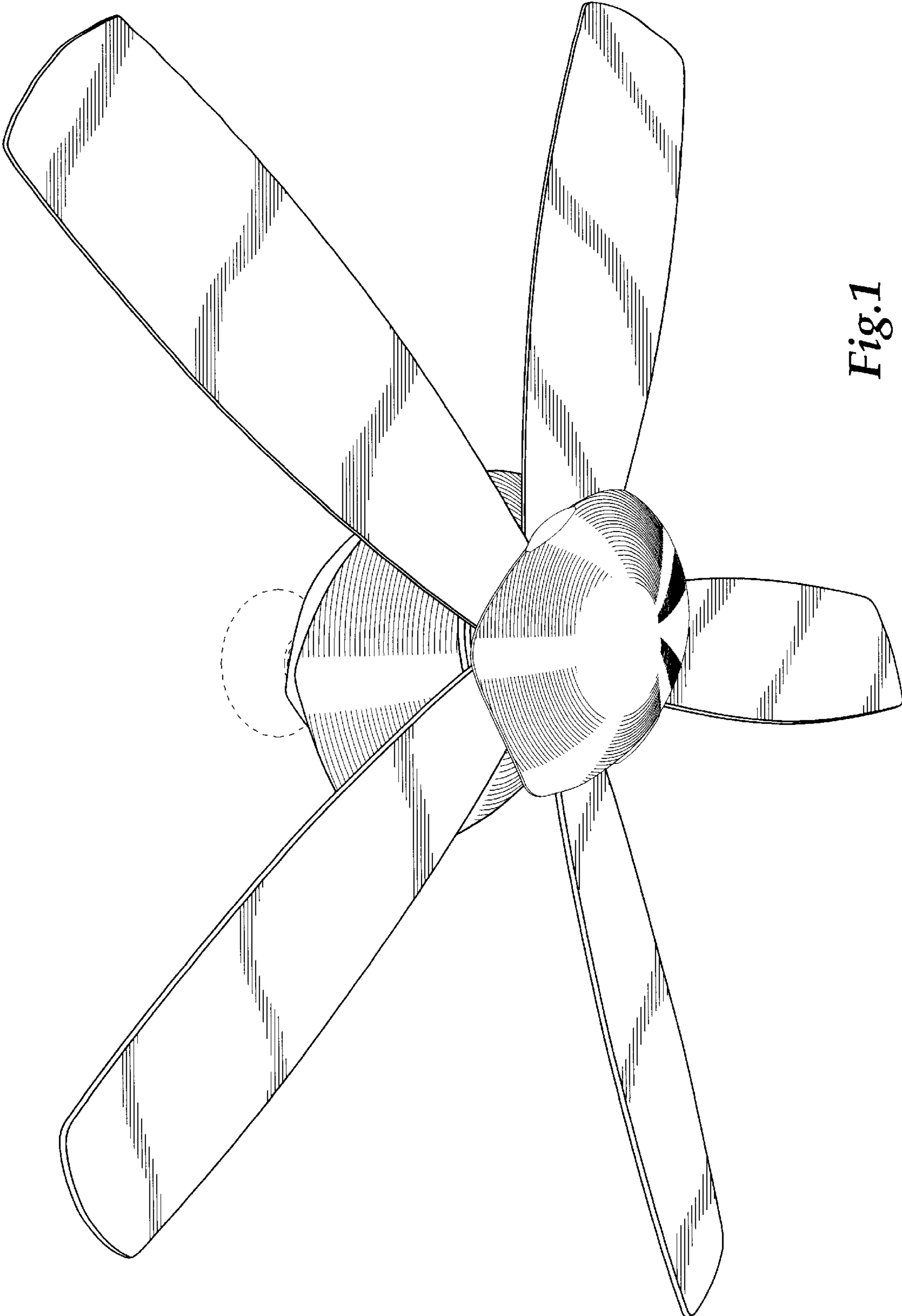
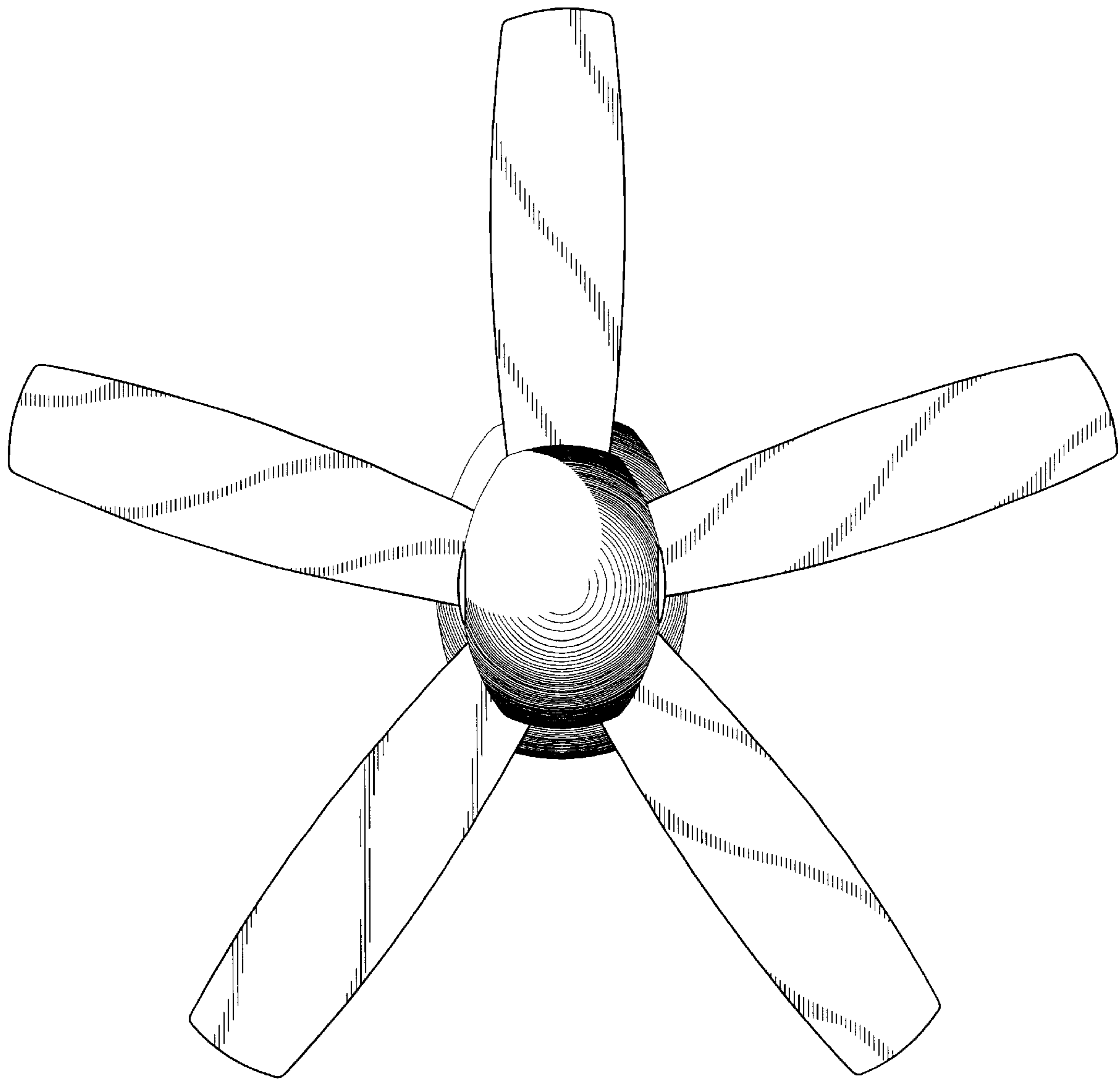
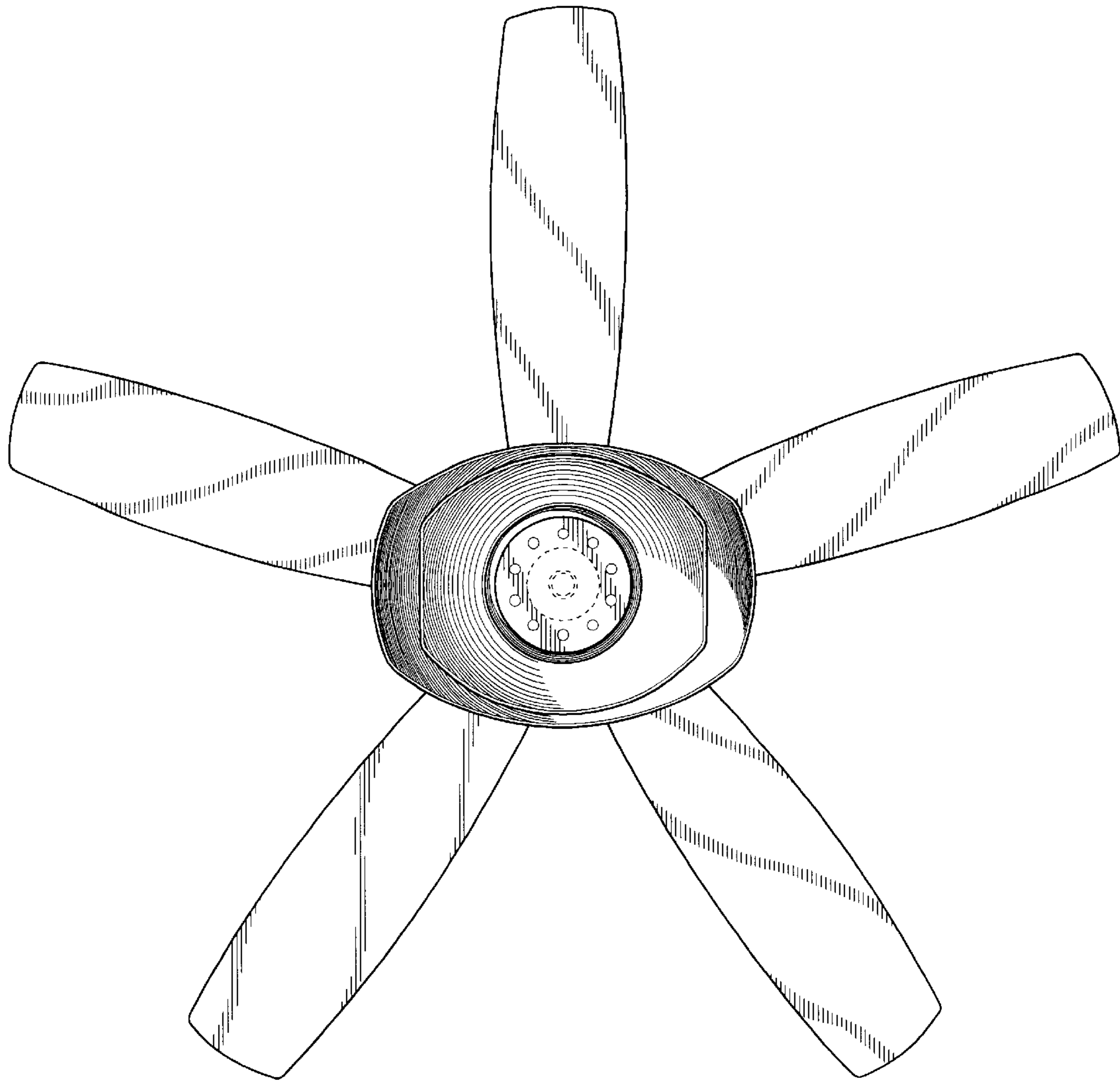


Fig. 1



*Fig.2*



*Fig.3*

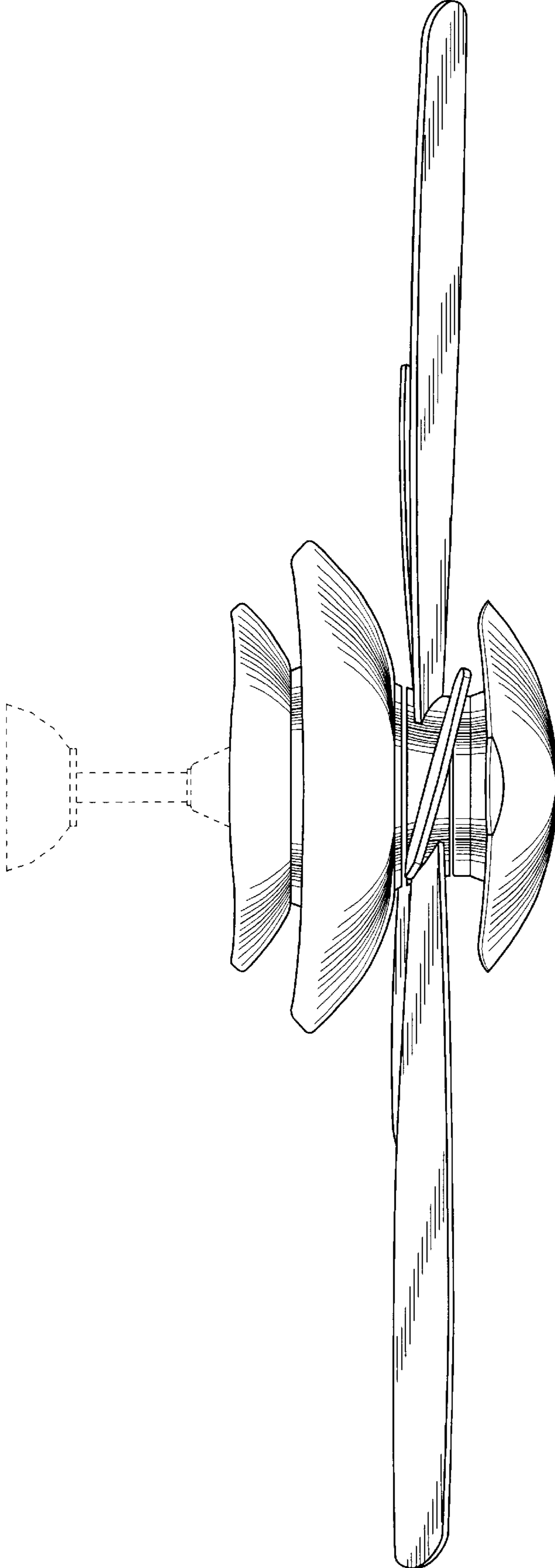


Fig.4

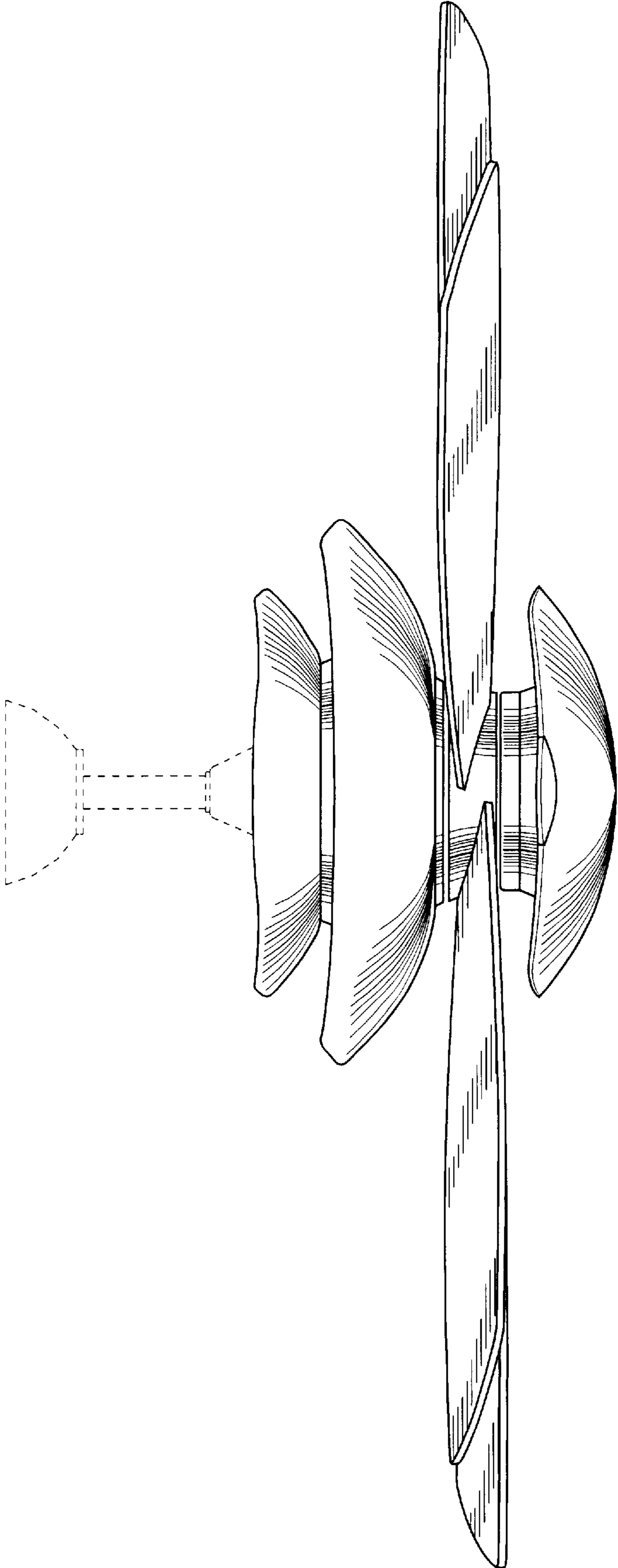


Fig.5

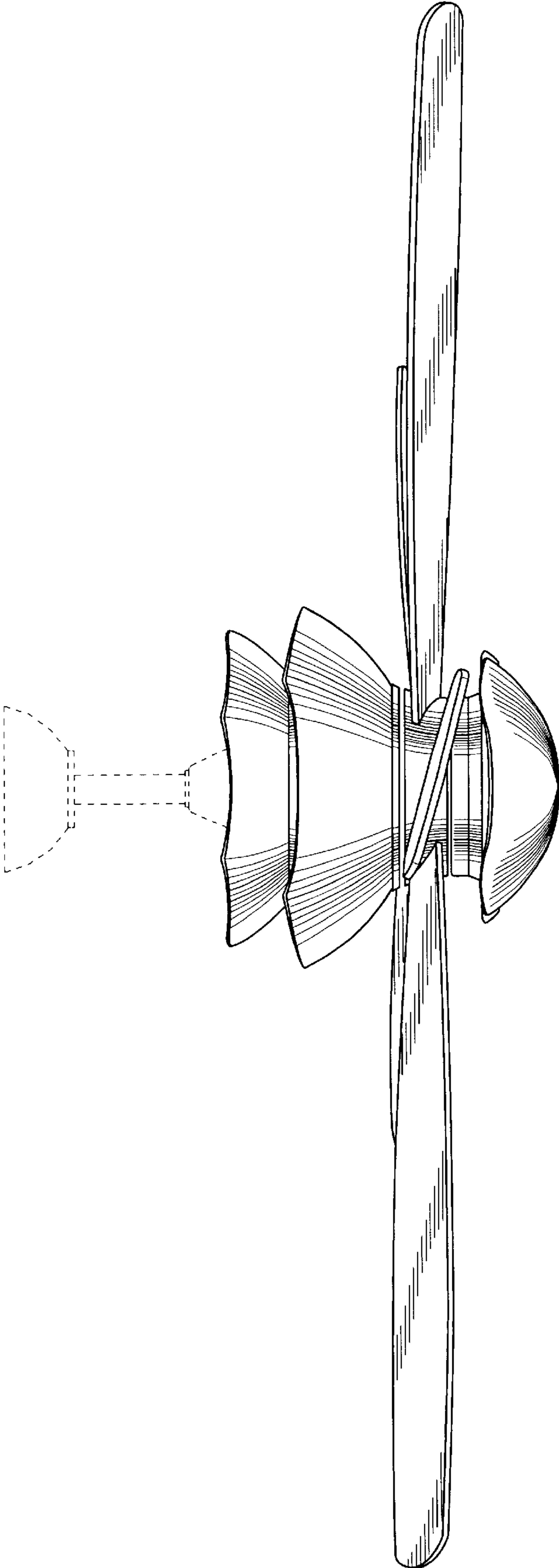


Fig.6

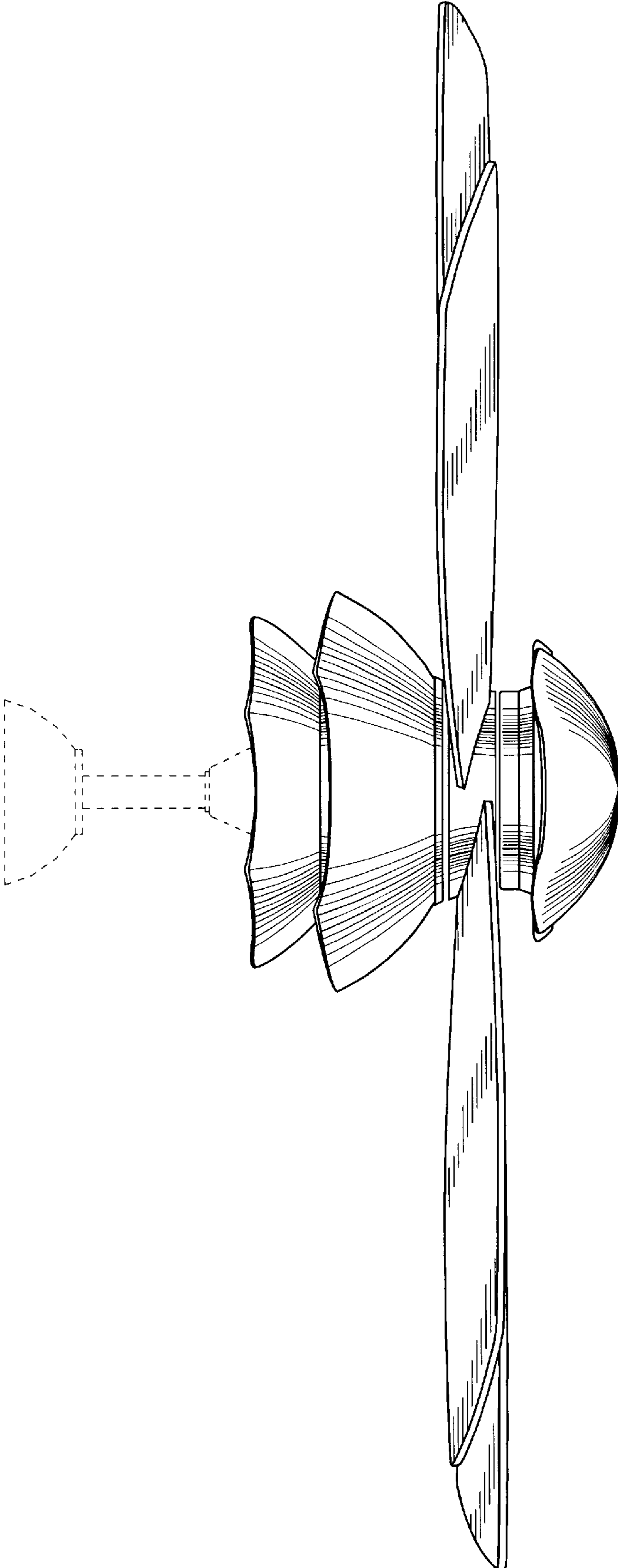


Fig. 7