



US00D517675S

(12) **United States Design Patent**
Young

(10) **Patent No.:** **US D517,675 S**
(45) **Date of Patent:** **** Mar. 21, 2006**

(54) **COMBINATION CEILING FAN AND LIGHT FIXTURE**

(75) Inventor: **Stanfield Young**, Garden Grove, CA (US)

(73) Assignee: **Minka Lighting, Inc.**, Corona, CA (US)

(**) Term: **14 Years**

(21) Appl. No.: **29/203,968**

(22) Filed: **Apr. 22, 2004**

(51) **LOC (8) Cl.** **23-04**

(52) **U.S. Cl.** **D23/377; D26/59**

(58) **Field of Classification Search** D23/377,
D23/379, 385, 411; 416/5; D26/59, 71, 81-88;
362/96

See application file for complete search history.

(56) **References Cited**

U.S. PATENT DOCUMENTS

D393,902 S * 4/1998 Pickett D23/377
D435,289 S * 12/2000 Liu D23/411

OTHER PUBLICATIONS

Hampton Bay Ceiling Fans; vol. 1; Spring/Summer 2004; p. 38, Mar. 2004, Home Depot, Inc., U.S.A.

Minka Aire 2004; pp. 52-53, Jan. 2004, Minka Lighting, Inc. USA.

Lamps Plus Internet Catalog; Casablanca Ventura II, Model # 89125-57276; www.lampsplus.com, May 14, 2004, Casablanca Fans.

Casablanca Internet Catalog; Avalon Blade System; Model # B31B; www.casablancafanco.com, May 14, 2004, Casablanca Fans.

Casablanca Internet Catalog; Malibu Star; Model # 23B002; www.casablancafanco.com, May 14, 2004, Casablanca Fans.

Monte Carlo Internet Catalog; Vera Cruz; Model # VC5B06, 5VC0P, 5VC0C, 5VCWH, 5VCFB, May 14, 2004, Monte Carlo Fans.

FanimationInternet Catalog; The Islander; Model #ISC4; printed from www.fansworksoutlet.com on May 19, 2005.

Emerson Internet Catalog; Model #EMB30KH; printed from www.fansworksoutlet.com on May 19, 2005.

* cited by examiner

Primary Examiner—Lisa Lichtenstein

(74) *Attorney, Agent, or Firm*—Baker & McKenzie LLP

(57) **CLAIM**

The ornamental design for a combination ceiling fan and light fixture, as shown and described.

DESCRIPTION

FIG. 1 is a perspective view from below of a combination ceiling fan and light fixture in accordance with my design; FIG. 2 is an enlarged perspective view from below of the combination ceiling fan and light fixture in accordance with my design;

FIG. 3 is a reduced top plan view of the combination ceiling fan and light fixture in accordance with my design;

FIG. 4 is a reduced bottom plan view of the combination ceiling fan and light fixture in accordance with my design;

FIG. 5 is a front elevation view of the combination ceiling fan and light fixture in accordance with my design; and,

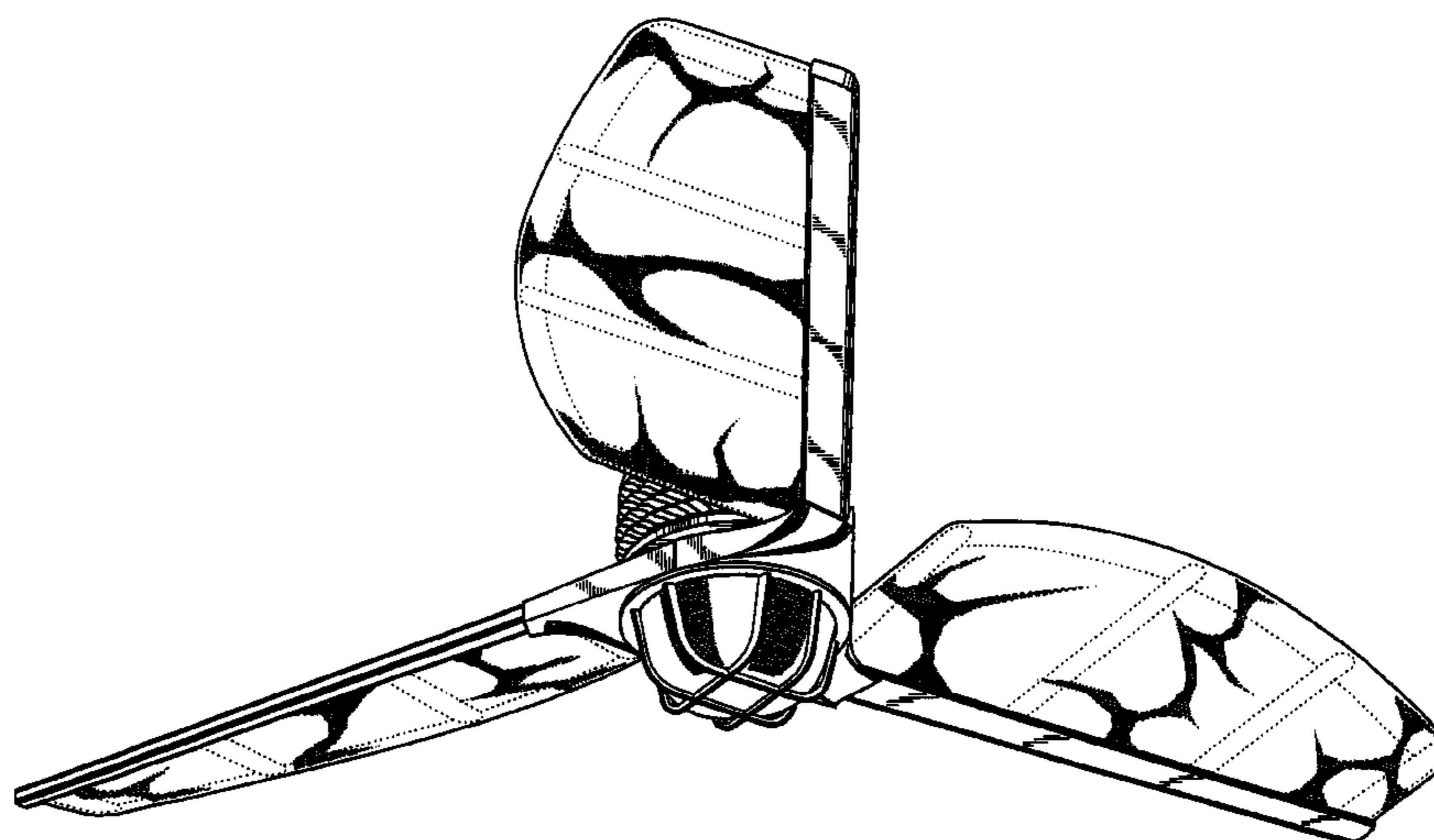
FIG. 6 is a side elevation view of the combination ceiling fan and light fixture in accordance with my design.

FIGS. 5 and 6 are identical except for the positioning of the fan blades.

The broken lines showing environmental structure are for illustrative purposes and form no part of the claimed design.

In FIG. 2, the fan blades are shown broken away to indicate indeterminate length.

1 Claim, 5 Drawing Sheets



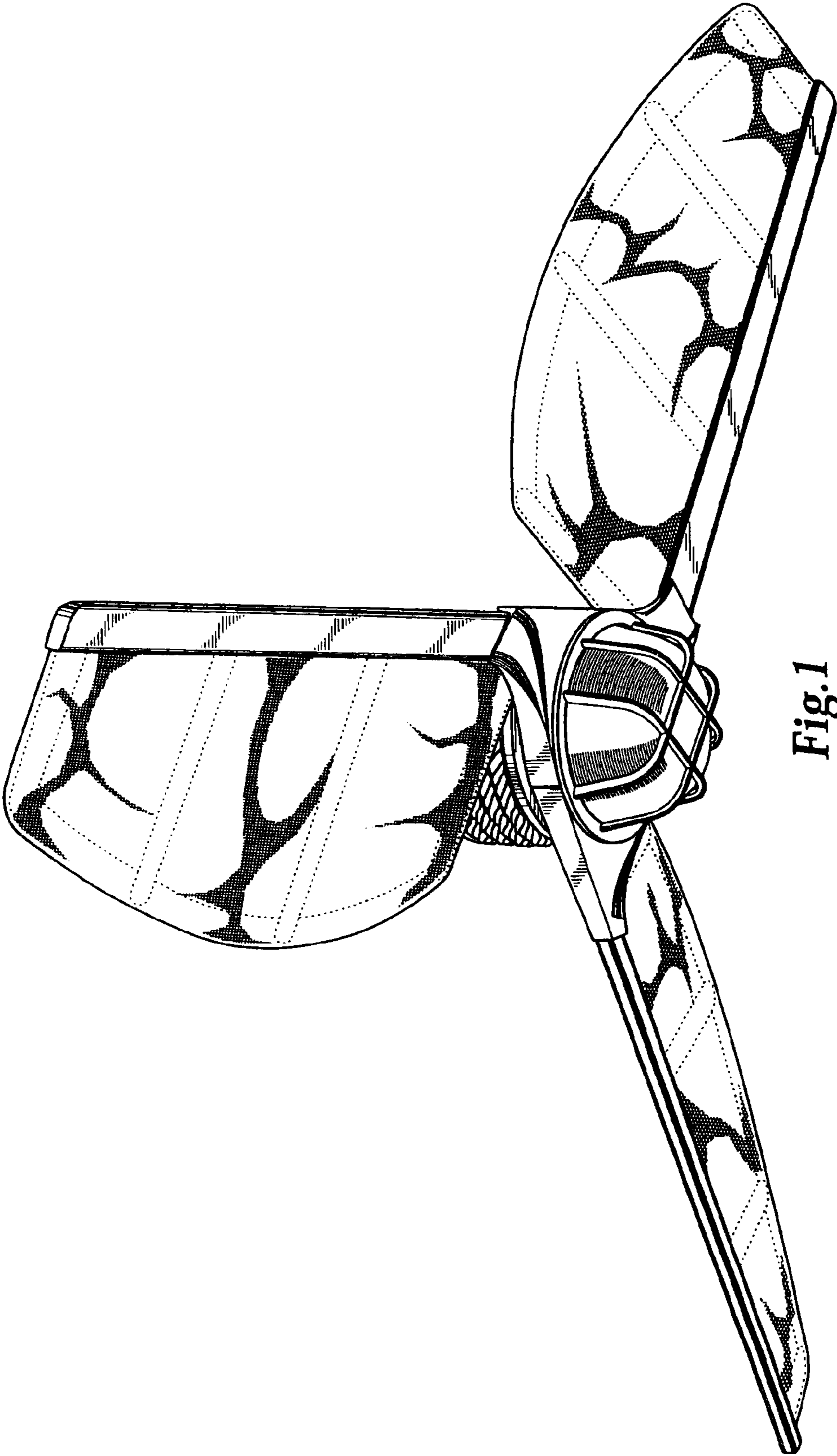


Fig. 1

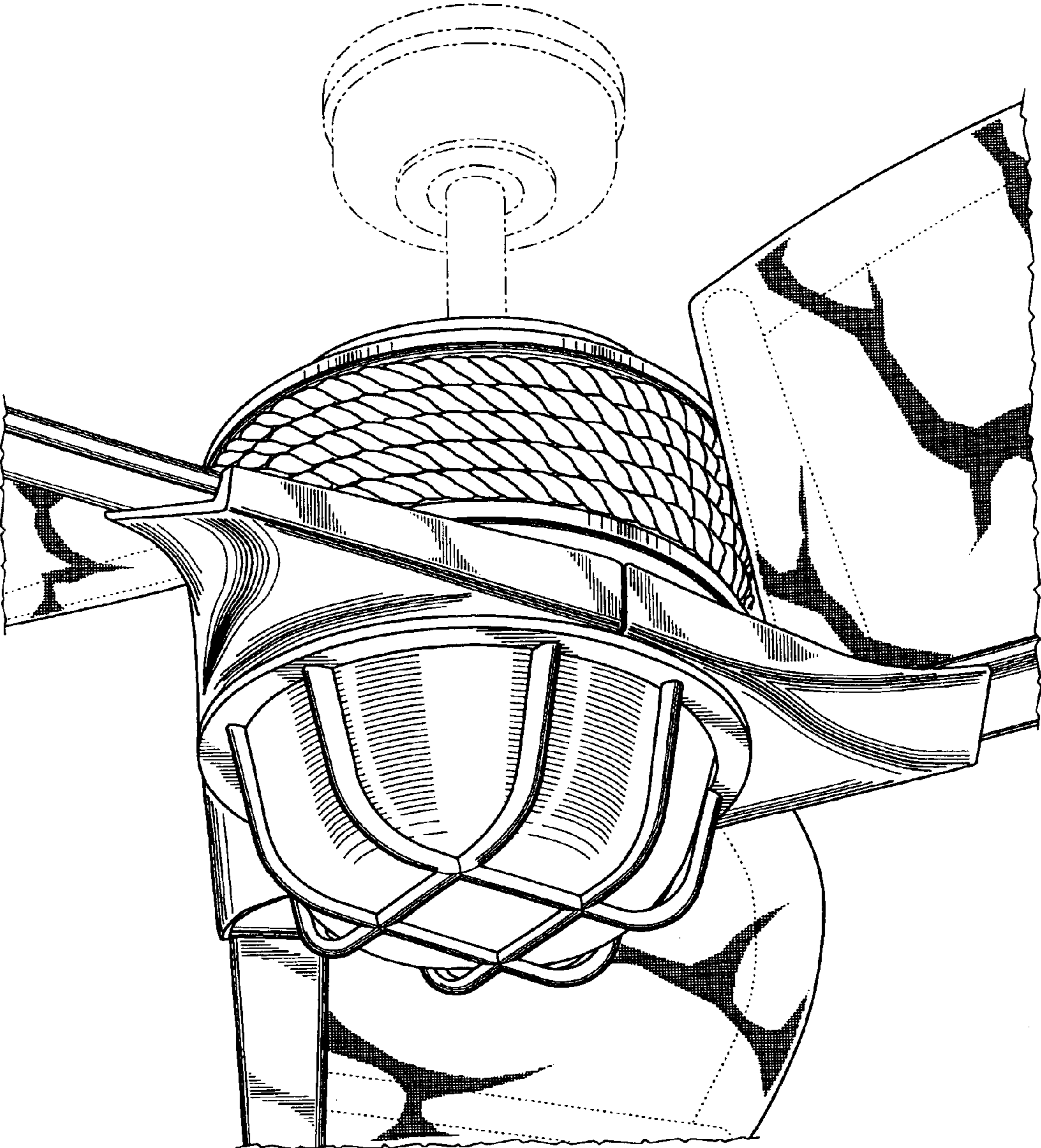


Fig.2

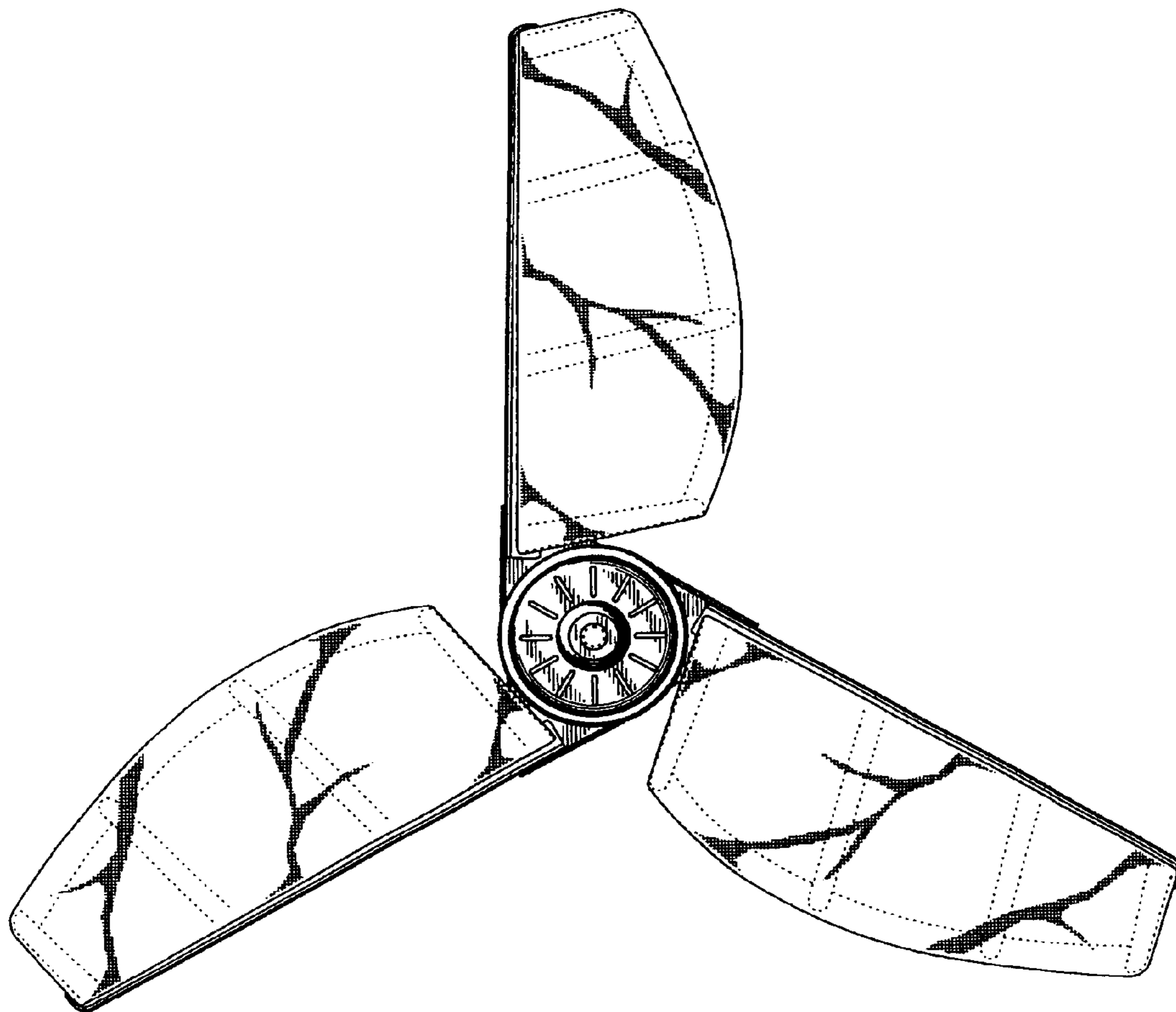


Fig.3

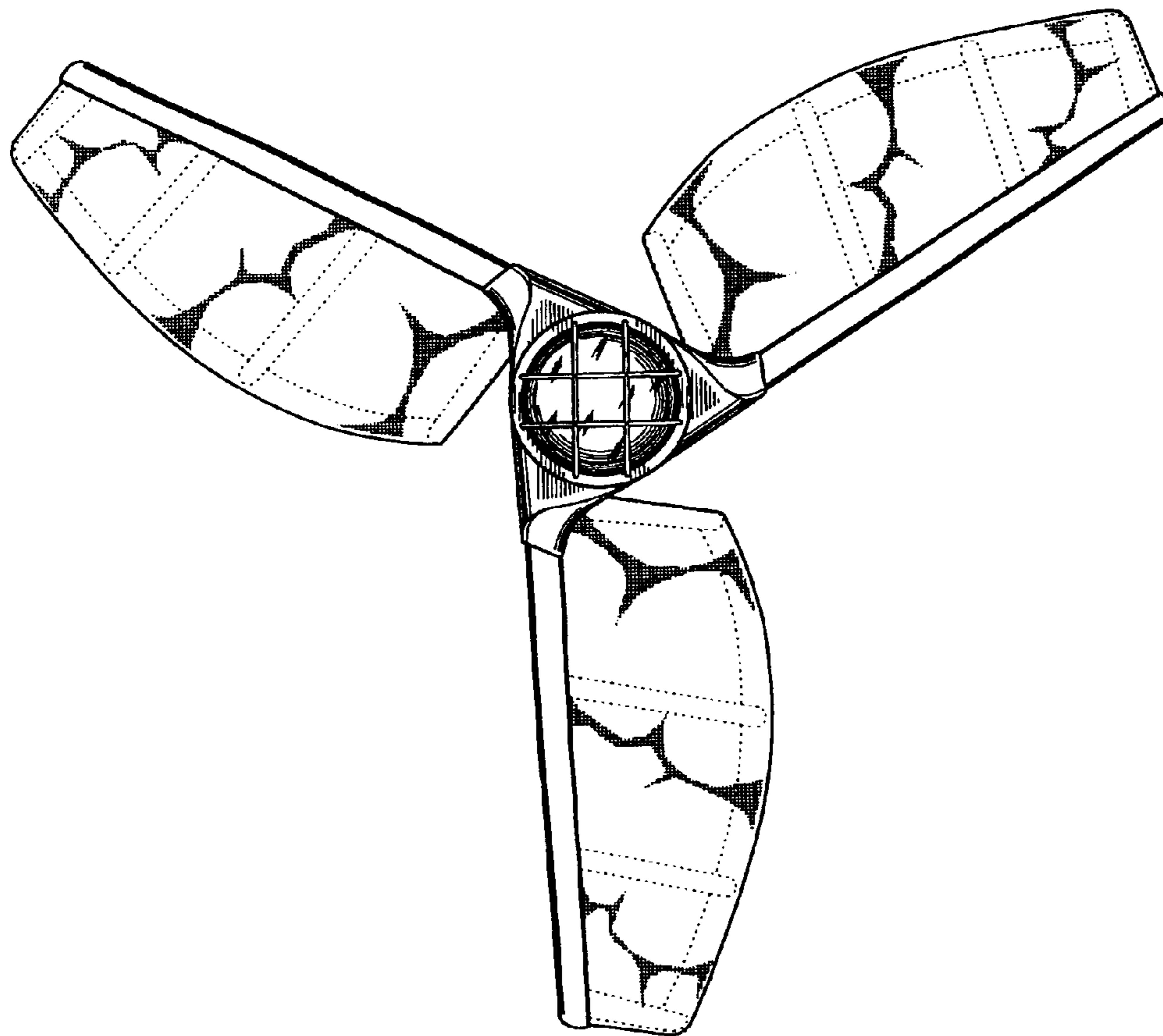


Fig.4

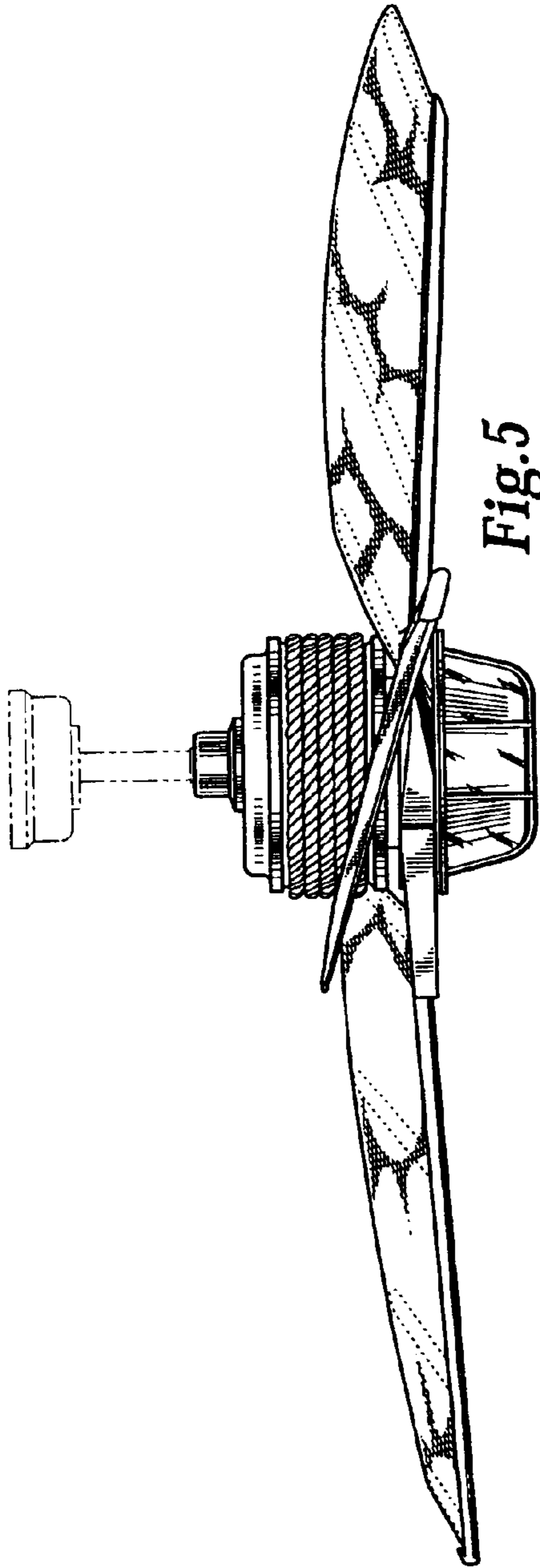


Fig. 5

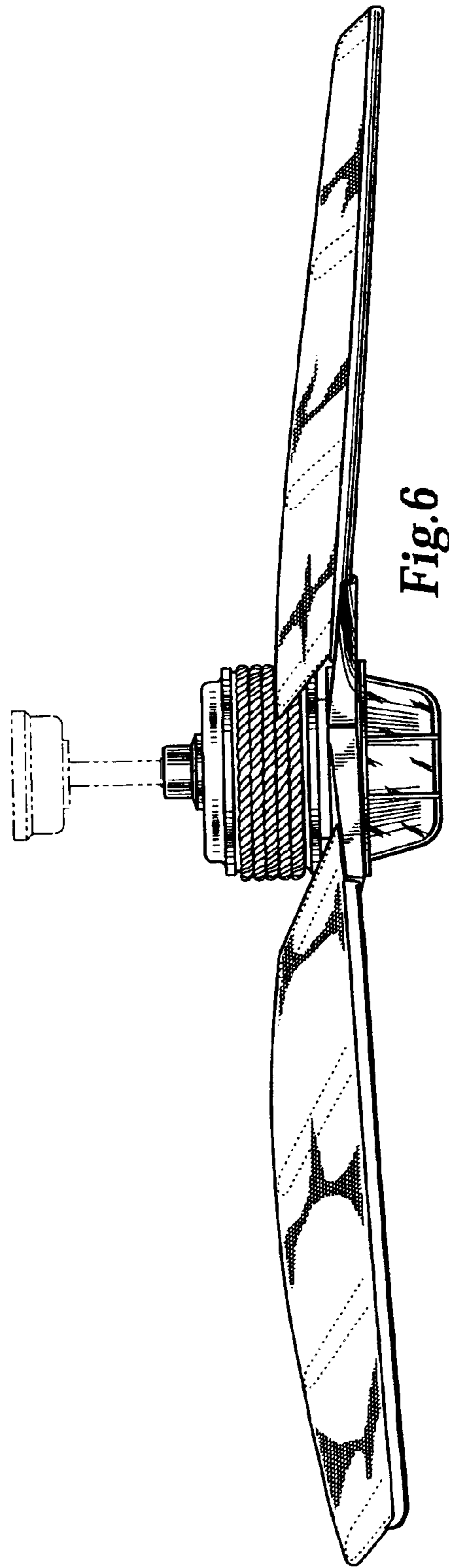


Fig. 6