

US00D517671S

(12) **United States Design Patent**
Chen

(10) **Patent No.:** **US D517,671 S**
(45) **Date of Patent:** **** Mar. 21, 2006**

(54) **AIR PURIFIER**

(75) Inventor: **Xiao Fei Chen**, Shanghai (CN)

(73) Assignee: **Shanghai Neo Tec Electron Co., Ltd.**,
Da An (CN)

(**) Term: **14 Years**

(21) Appl. No.: **29/213,168**

(22) Filed: **Sep. 14, 2004**

(51) **LOC (8) Cl.** **23-04**

(52) **U.S. Cl.** **D23/364**

(58) **Field of Classification Search** D23/355,
D23/364, 365; 55/467, 471, 472
See application file for complete search history.

(56) **References Cited**

U.S. PATENT DOCUMENTS

D492,759 S	*	7/2004	Yoshida	D23/364
D496,991 S	*	10/2004	Yang	D23/355
6,852,151 B1	*	2/2005	Bloomer	96/386
D503,787 S	*	4/2005	Koike	D23/364

* cited by examiner

Primary Examiner—Robin V. Webster

(74) *Attorney, Agent, or Firm*—Brinks Hofer Gilson & Lione

(57) **CLAIM**

We claim the ornamental design for an air purifier, as shown and described.

DESCRIPTION

FIG. 1 is a perspective view of an air purifier of the present invention;

FIG. 2 is a front view thereof;

FIG. 3 is a top view thereof;

FIG. 4 is a right side view thereof, wherein the left side view is a mirror image of the right side view with respect to plane A that extends perpendicular to the page of FIG. 4;

FIG. 5 is a back view thereof; and,

FIG. 6 is a bottom view thereof.

Any broken lines in the drawings are for illustrative purposes only and form no part of the claimed design.

1 Claim, 3 Drawing Sheets

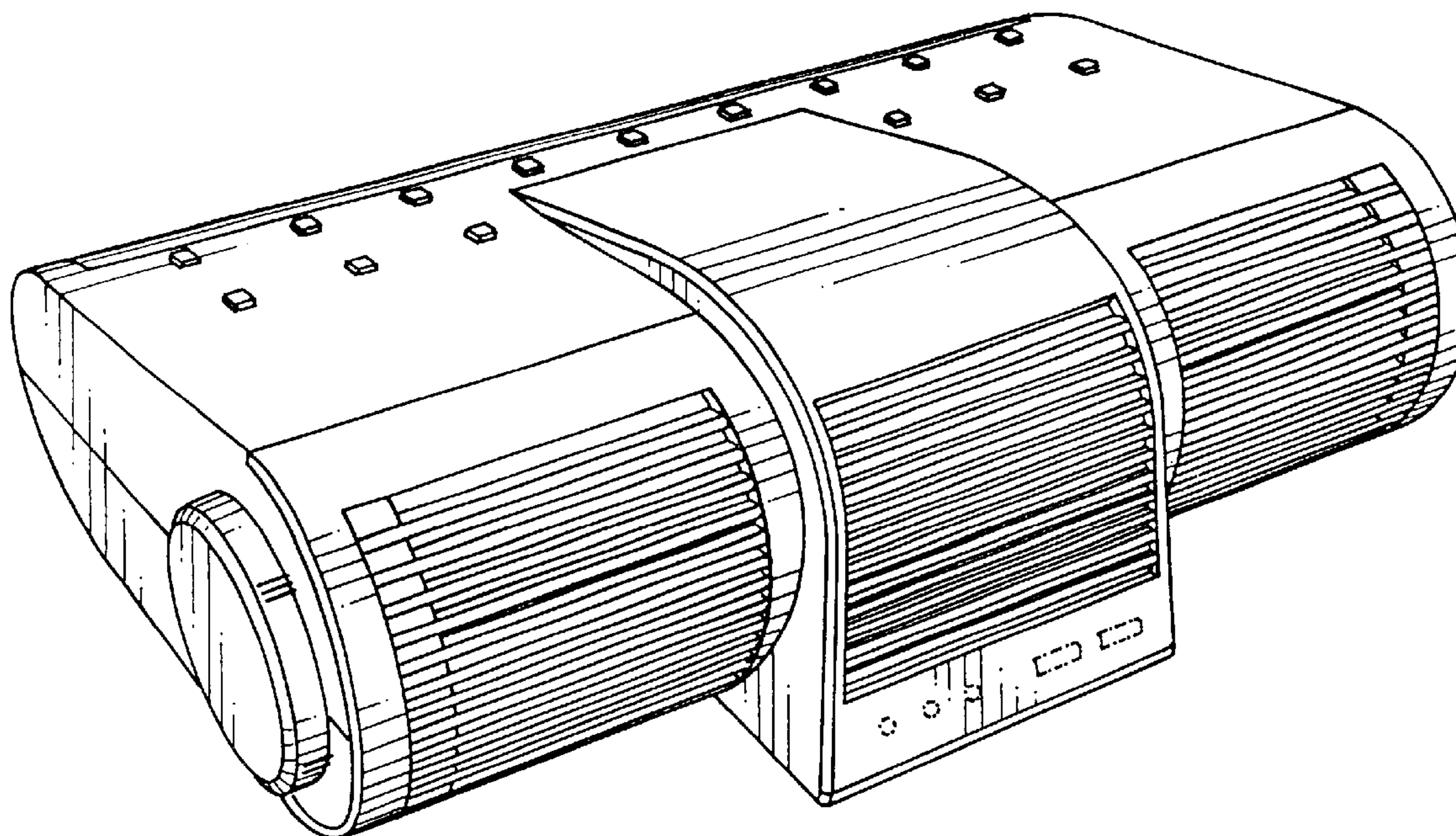


Fig. 1

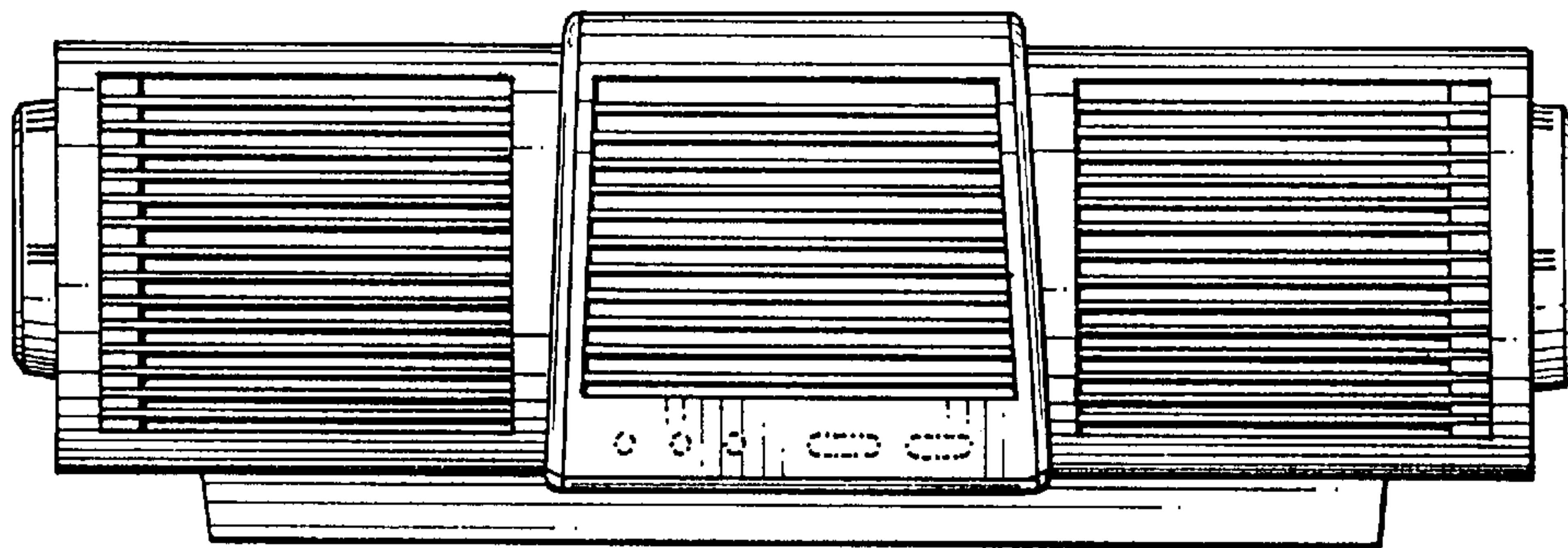
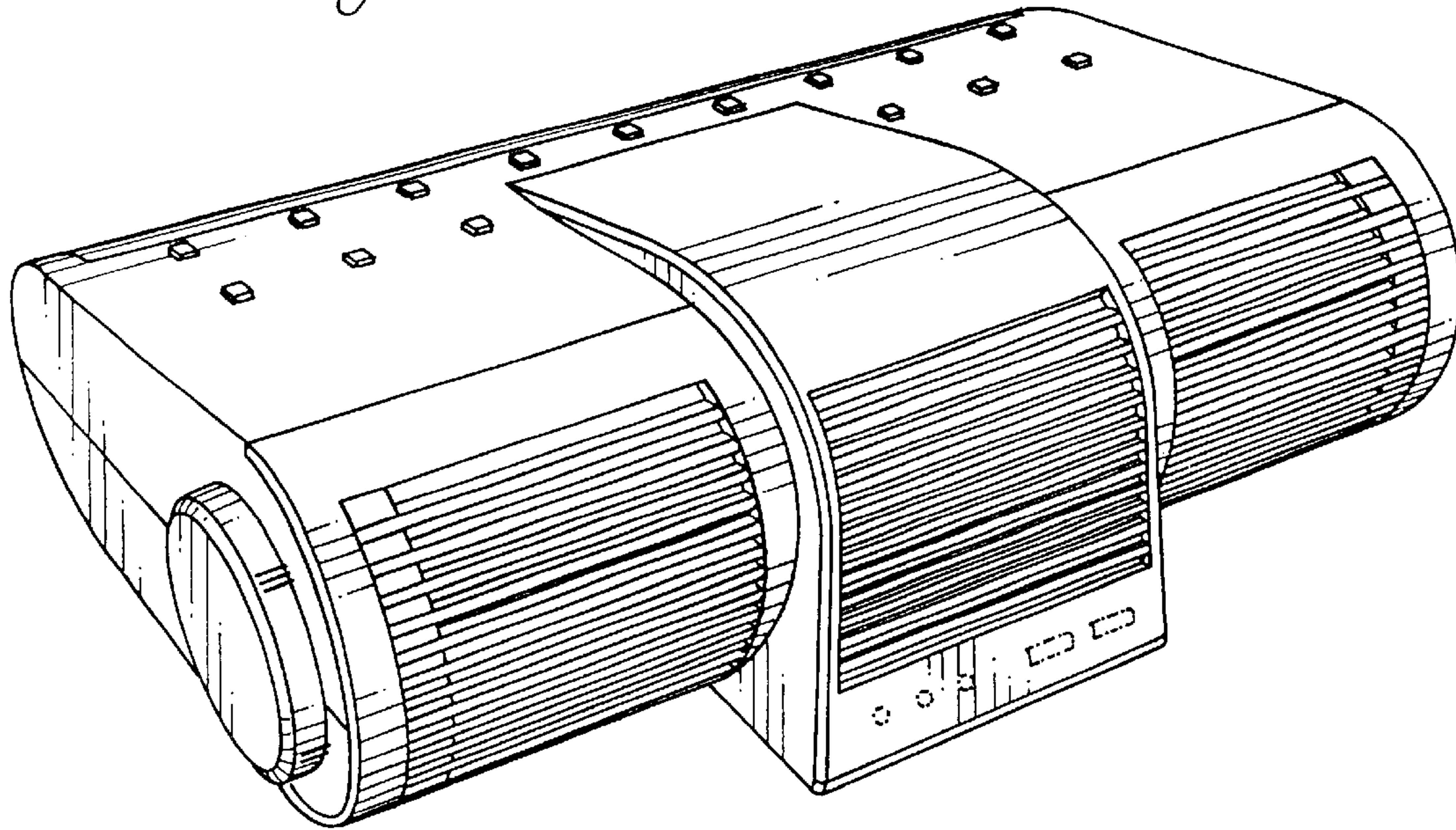


Fig. 2

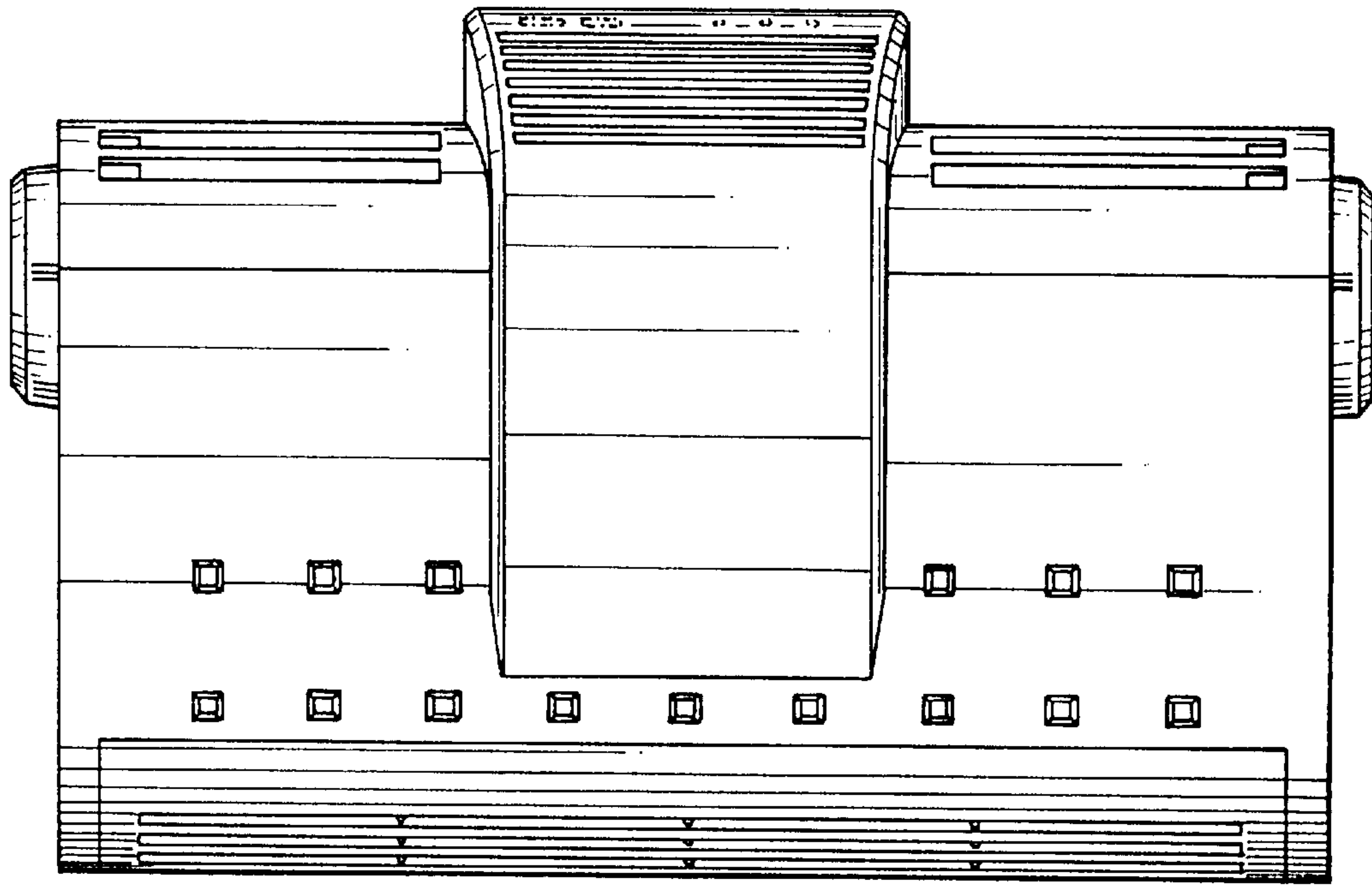


Fig. 3

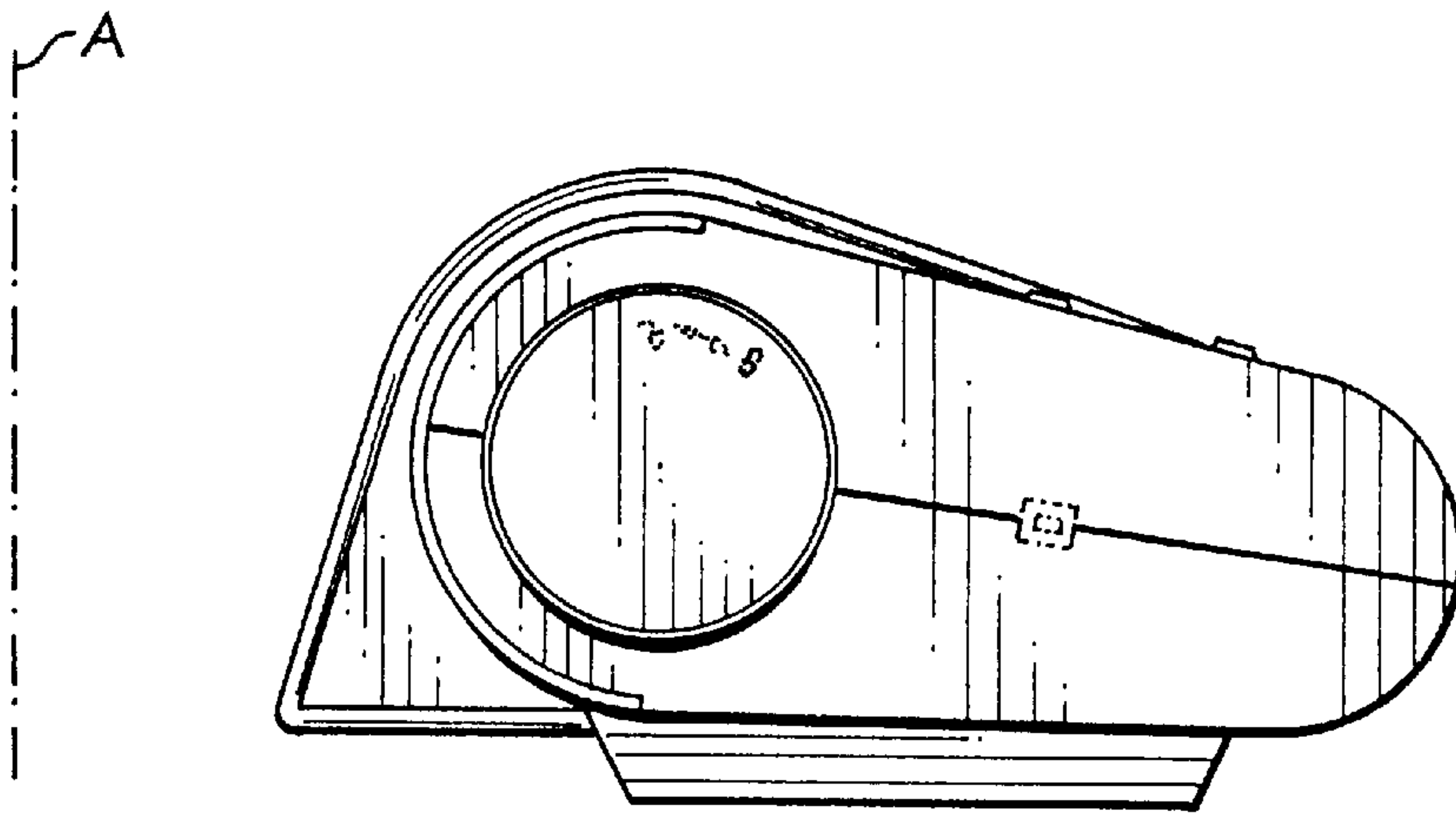


Fig. 4

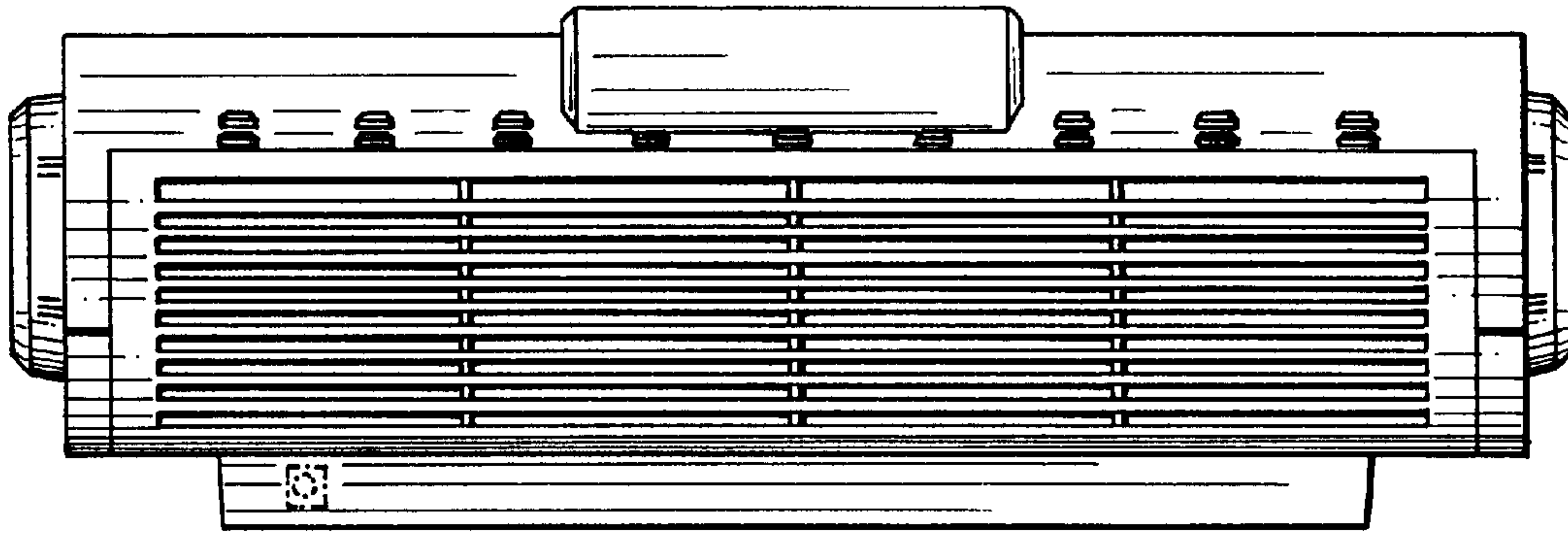


Fig. 5

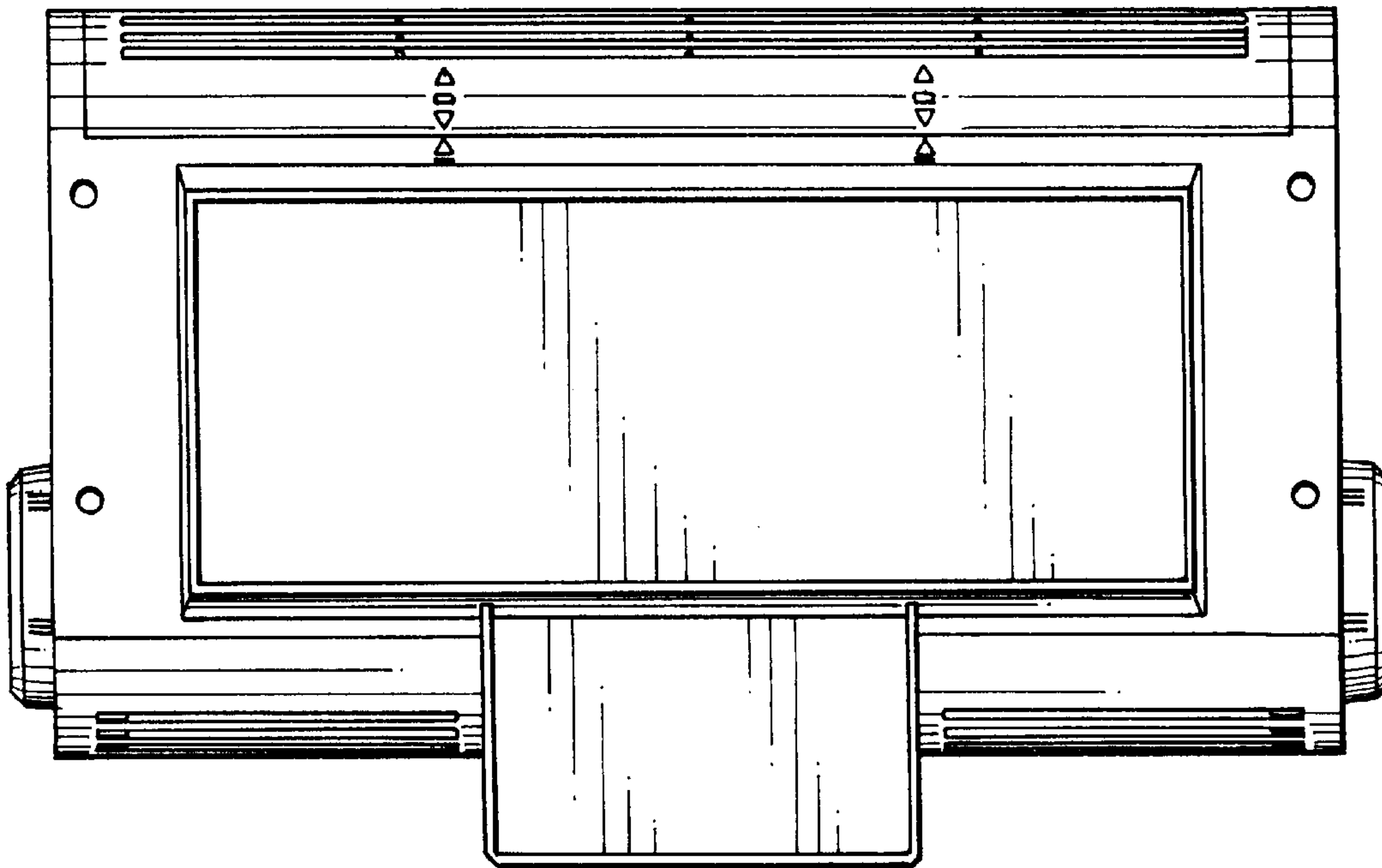


Fig. 6