



US00D517670S

(12) **United States Design Patent**  
**Rocci**

(10) **Patent No.:** **US D517,670 S**  
(45) **Date of Patent:** **\*\* Mar. 21, 2006**

(54) **SINK COVER AND WORK SURFACE**

(75) **Inventor:** **Joseph A. Rocci**, Burr Ridge, IL (US)

(73) **Assignee:** **Etcon Corp.**, Burr Ridge, IL (US)

(\*\*) **Term:** **14 Years**

(21) **Appl. No.:** **29/204,831**

(22) **Filed:** **May 5, 2004**

(51) **LOC (8) Cl.** ..... **23-02**

(52) **U.S. Cl.** ..... **D23/308**; D7/698

(58) **Field of Classification Search** ..... D23/270-273,  
D23/284-287, 290, 293.1, 303, 308; 4/662-666,  
4/619, 661, 637-639; D7/698

See application file for complete search history.

(56) **References Cited**

**U.S. PATENT DOCUMENTS**

D30,136 S	*	2/1899	Eckerson	.....	D23/290
863,825 A	*	8/1907	Acker	.....	4/642
914,120 A	*	3/1909	Demarest	.....	4/638
1,641,061 A		8/1927	Young		
1,841,143 A		1/1932	McCann		
2,194,343 A		3/1940	Wexler		
2,308,123 A		1/1943	Stein		
2,314,157 A		3/1943	O'Brien		
2,334,293 A		11/1943	Stein		
2,447,788 A		8/1948	Ball		
2,746,062 A		5/1956	Waltz		
2,760,207 A	*	8/1956	Glantz	.....	4/516
3,346,888 A		10/1967	Paysinger		
3,988,784 A		11/1976	Reedy et al.		

4,480,343 A		11/1984	Drach		
D283,777 S	*	5/1986	Morin	.....	D7/698
5,406,656 A		4/1995	Somerton		
5,621,929 A		4/1997	Smith		
5,815,855 A		10/1998	McKeehan et al.		
D418,909 S		1/2000	Mockett		
6,182,305 B1		2/2001	O'Connell et al.		
D449,875 S		10/2001	Fludd-Robinson et al.		
6,341,704 B1		1/2002	Michel, Jr.		
2003/0204905 A1	*	11/2003	Ziemann et al.	.....	4/639

\* cited by examiner

*Primary Examiner*—Robert A. Delehanty

(74) *Attorney, Agent, or Firm*—Robert A. McCann; Aimee E. McVady

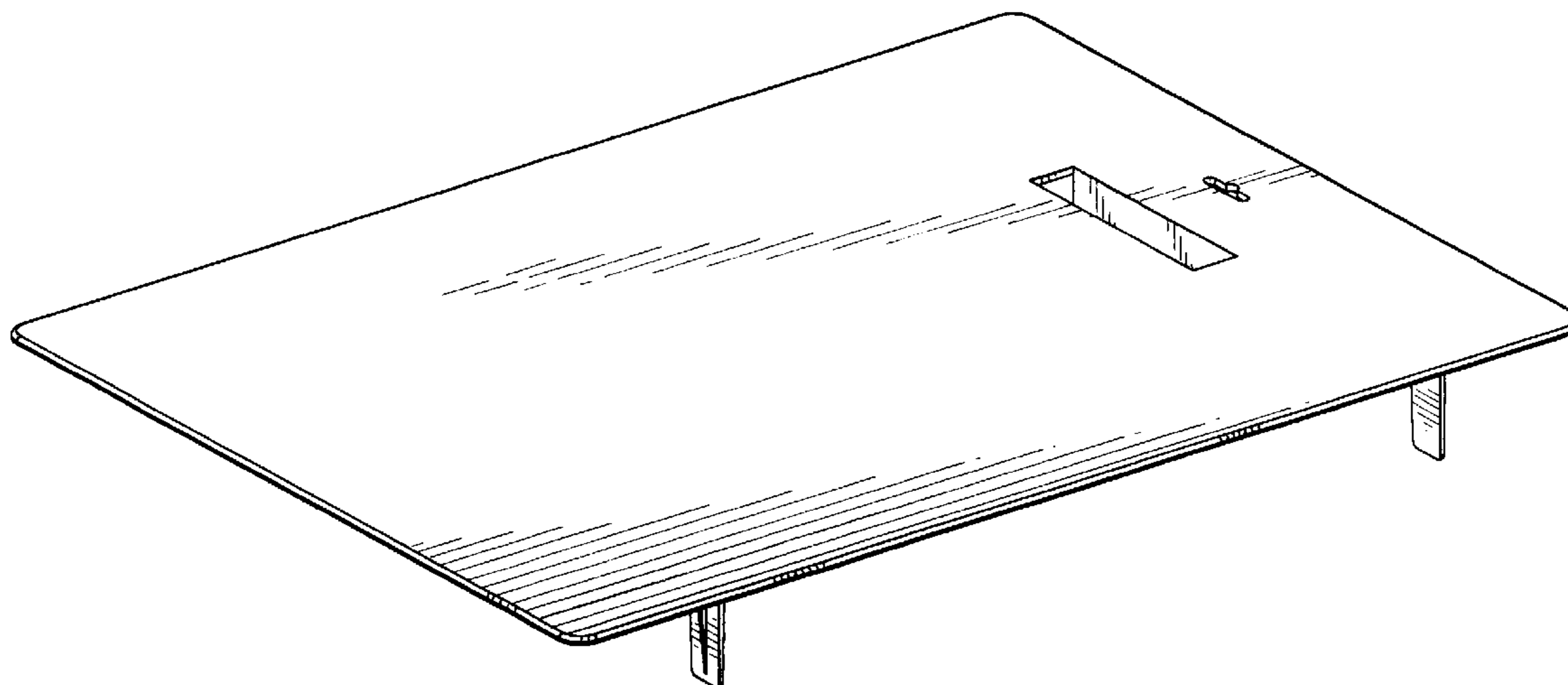
(57) **CLAIM**

The ornamental design for a sink cover and work surface, as shown and described.

**DESCRIPTION**

FIG. 1 is a perspective view of a sink cover and work surface showing my new design;  
FIG. 2 is a bottom right front perspective view thereof;  
FIG. 3 is a bottom right rear perspective front view thereof;  
FIG. 4 is a top plan view thereof;  
FIG. 5 is a side elevational view thereof, the opposite of which is an identical mirror image;  
FIG. 6 is a front view thereof;  
FIG. 7 is a rear view thereof; and,  
FIG. 8 is a bottom plan view thereof.

**1 Claim, 6 Drawing Sheets**



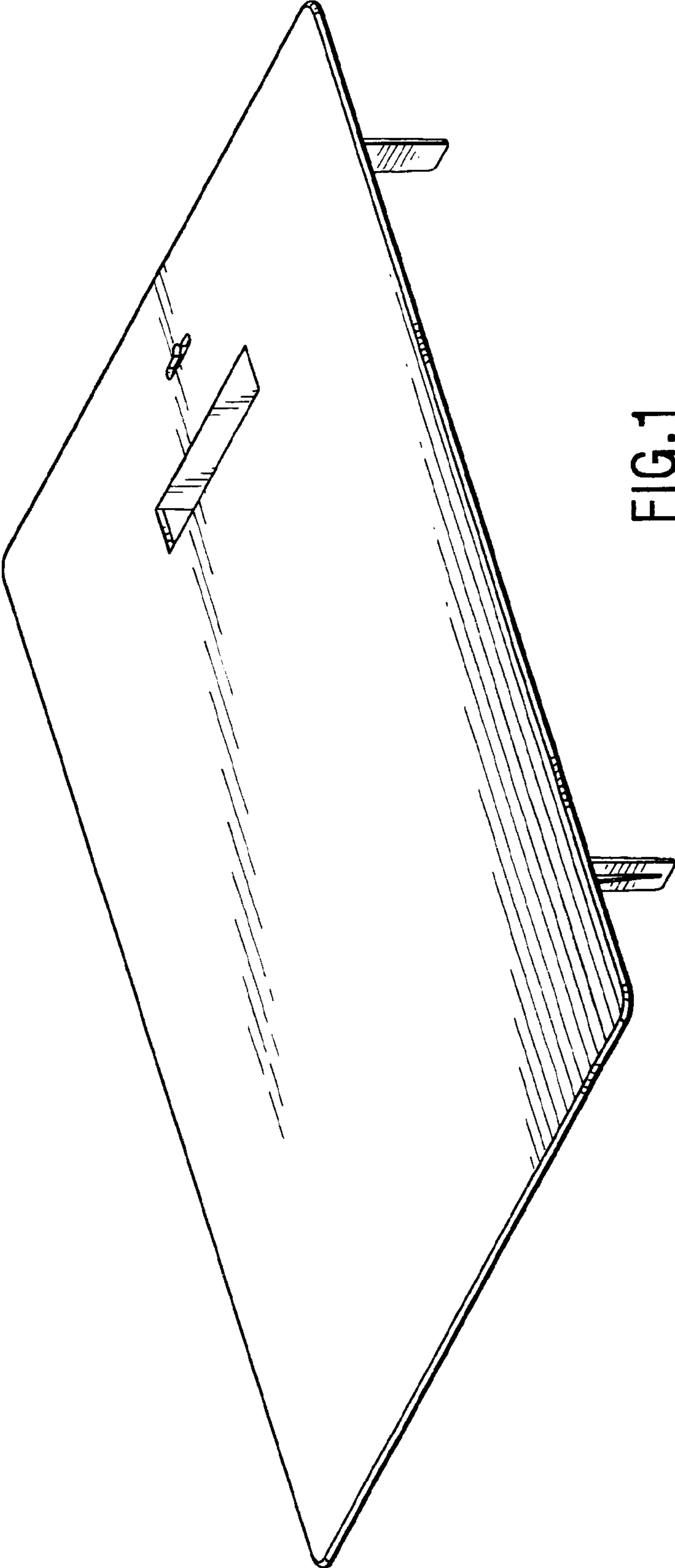


FIG.1

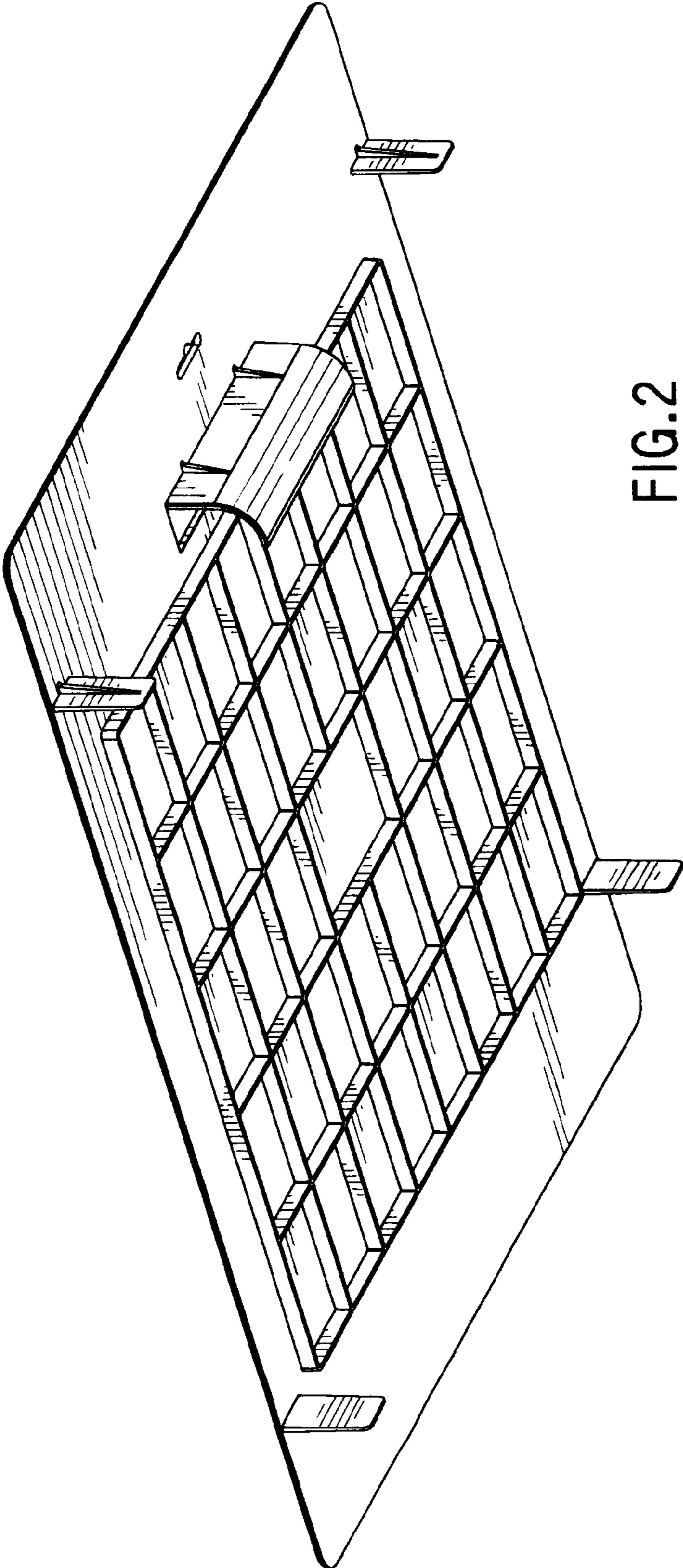


FIG.2

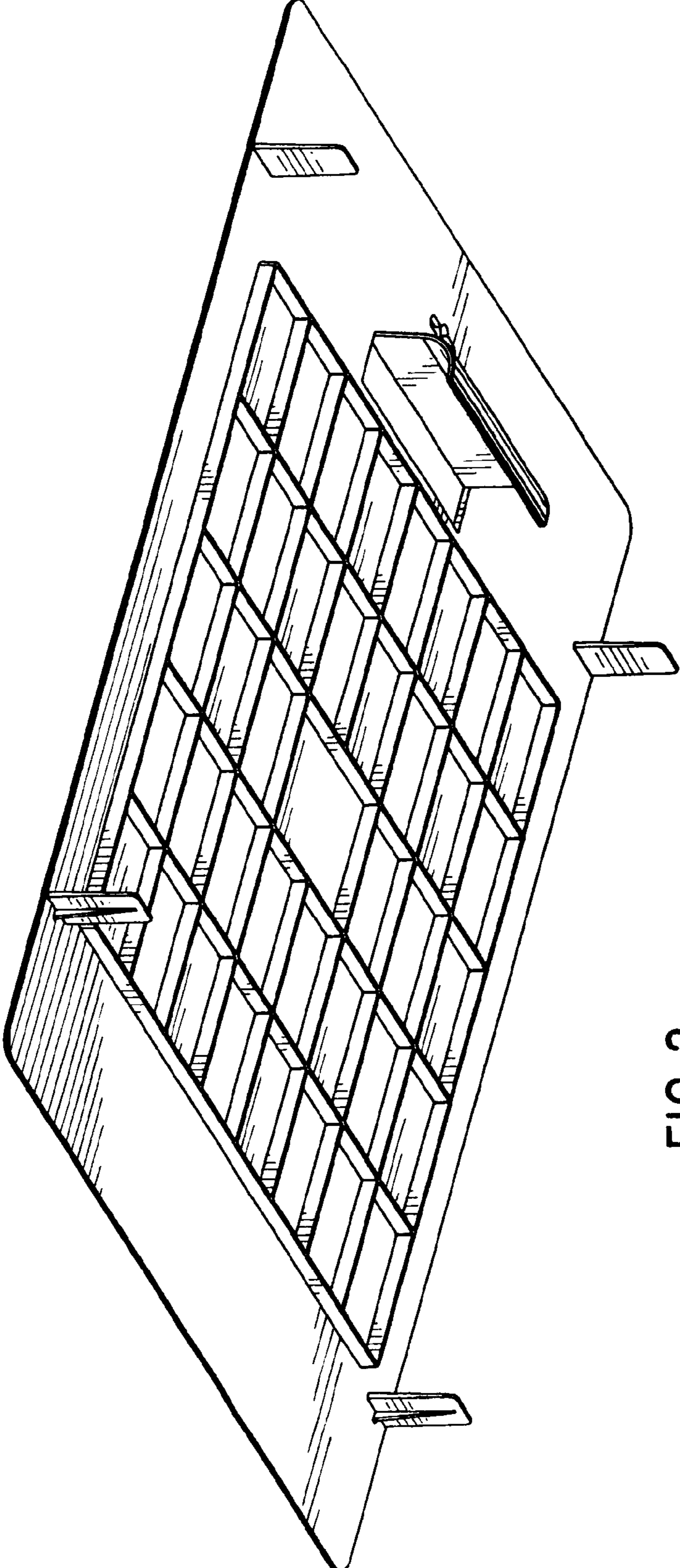


FIG. 3

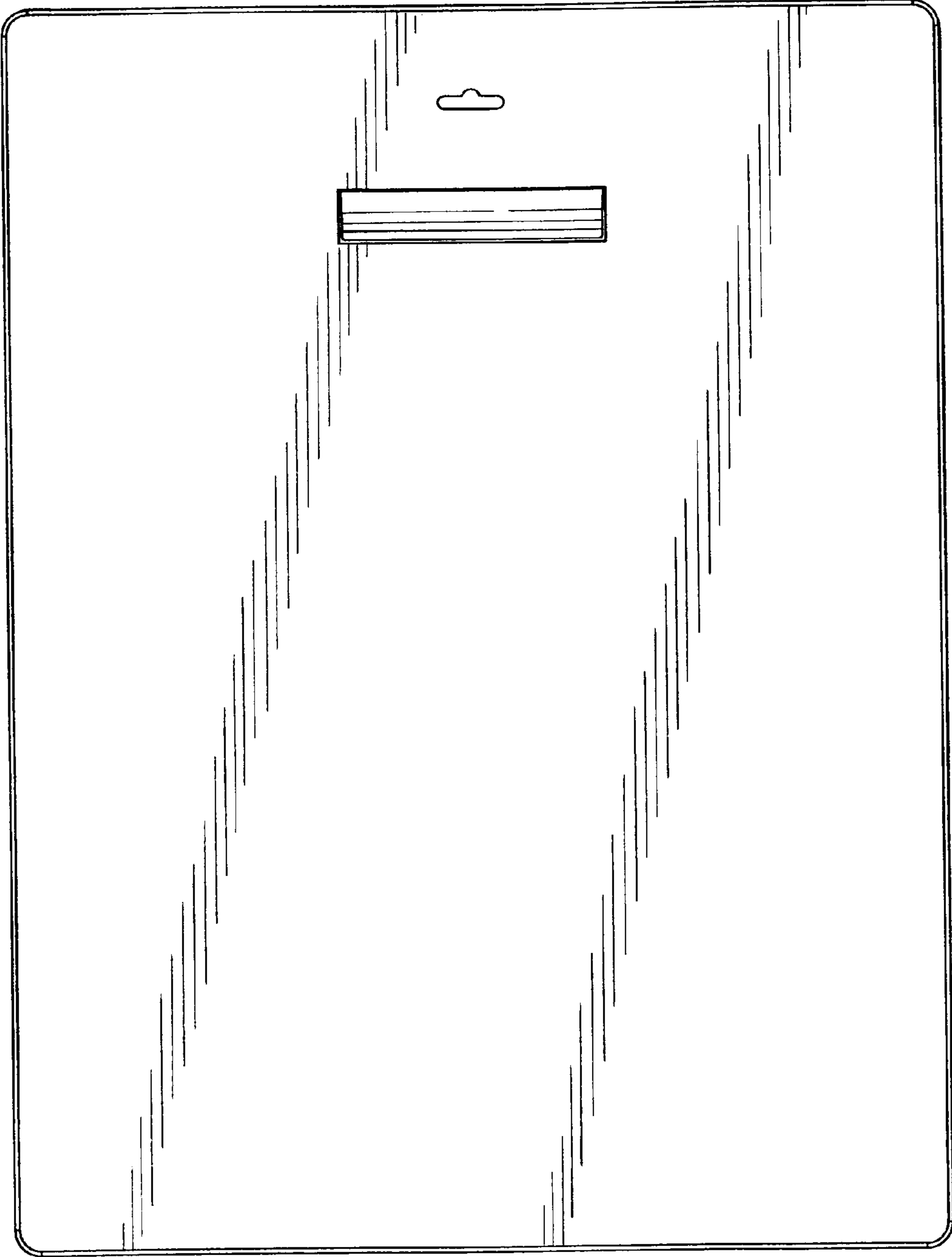


FIG.4

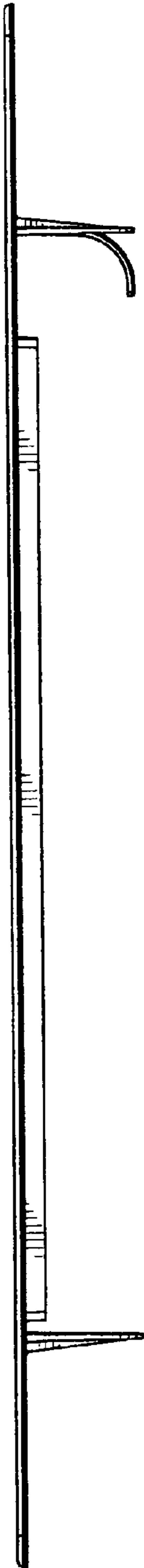


FIG. 5



FIG. 6



FIG. 7

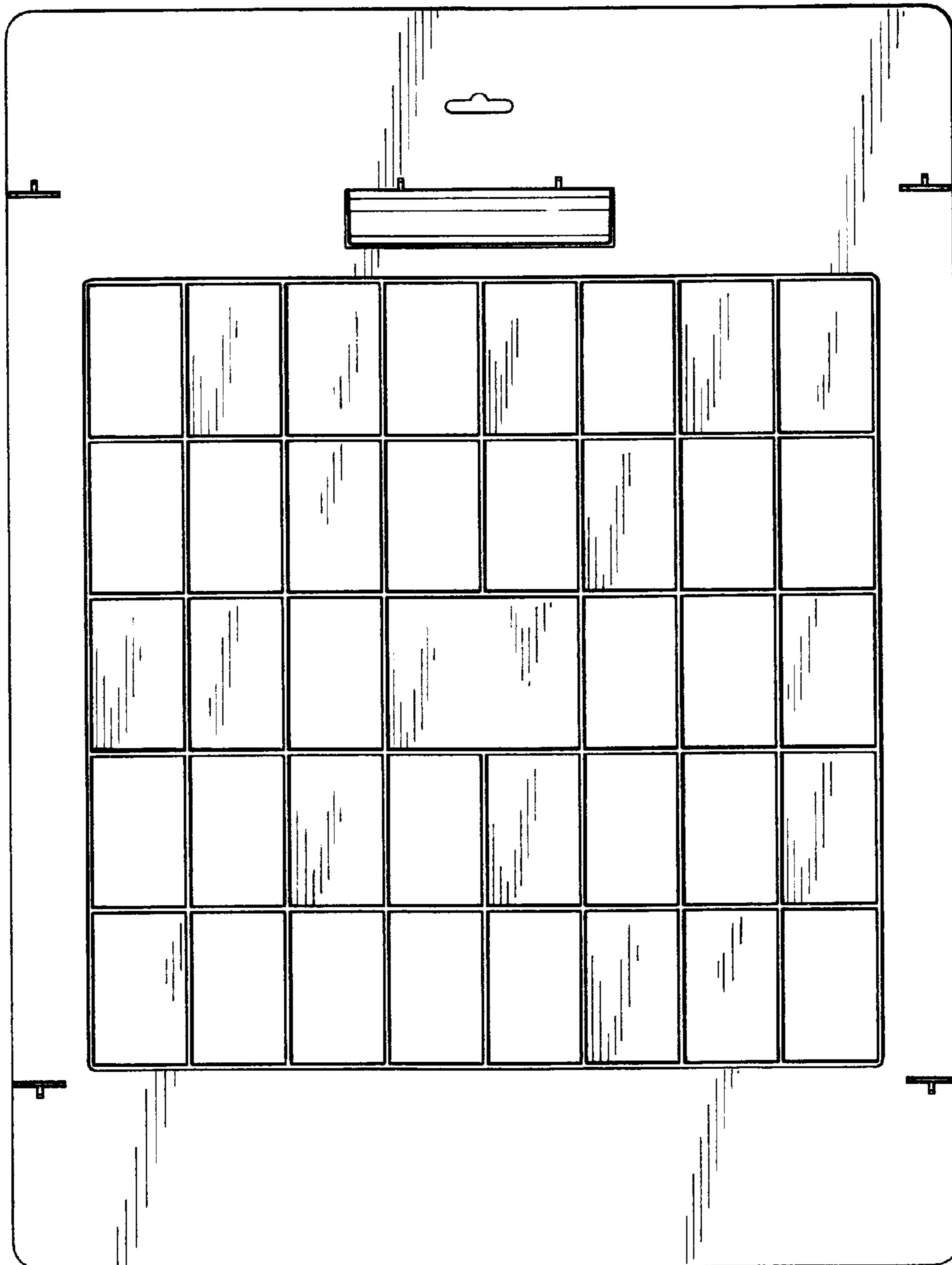


FIG.8