



US00D517669S

(12) **United States Design Patent**
Zieger et al.

(10) **Patent No.:** **US D517,669 S**
(45) **Date of Patent:** **** Mar. 21, 2006**

(54) **SHOWER ARM MOUNT**

(75) **Inventors:** **Claus D. Zieger**, City of Industry, CA (US); **Christopher Glupker**, Van Nuys, CA (US); **Lance Hussey**, Simi Valley, CA (US); **Ravi Sawhney**, Calabasas, CA (US)

(73) **Assignee:** **Interbath, Inc.**, City of Industry, CA (US)

(**) **Term:** **14 Years**

(21) **Appl. No.:** **29/181,868**

(22) **Filed:** **May 17, 2003**

(51) **LOC (8) Cl.** **23-02**

(52) **U.S. Cl.** **D23/304**

(58) **Field of Classification Search** D23/270-271, D23/275, 283, 303-304, 22-229; 4/546, 4/552, 605, 596-597, 615, 617, 601; D8/373, D8/354-356; 248/229.1

See application file for complete search history.

(56) **References Cited**

U.S. PATENT DOCUMENTS

4,174,822 A * 11/1979 Larsson D23/223

* cited by examiner

Primary Examiner—Robert A. Delehanty

(74) *Attorney, Agent, or Firm*—Foley & Lardner LLP

(57) **CLAIM**

The ornamental design for a shower arm mount, as shown and described.

DESCRIPTION

FIG. 1 is a perspective view of a shower arm mount showing our new design;

FIG. 2 is a top plan view thereof;

FIG. 3 is a front elevation view thereof;

FIG. 4 is a rear elevation view thereof;

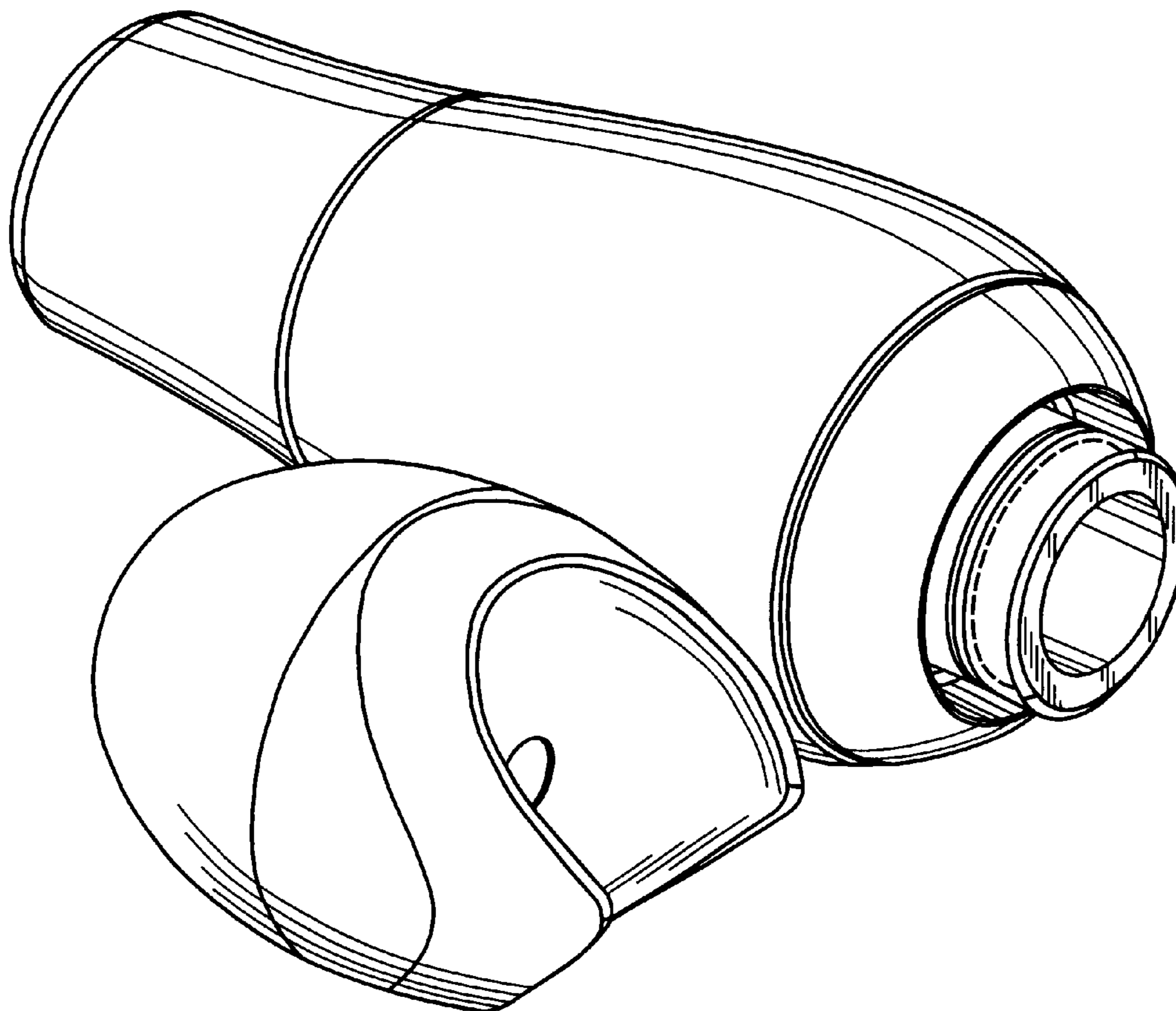
FIG. 5 is a bottom plan view thereof;

FIG. 6 is a first side elevation view thereof; and,

FIG. 7 is a second side elevation view thereof.

The broken line and unshaded area therein showing of a circumferential ring for screw threads is for illustrative purposes only and forms no part of the claimed design.

1 Claim, 7 Drawing Sheets



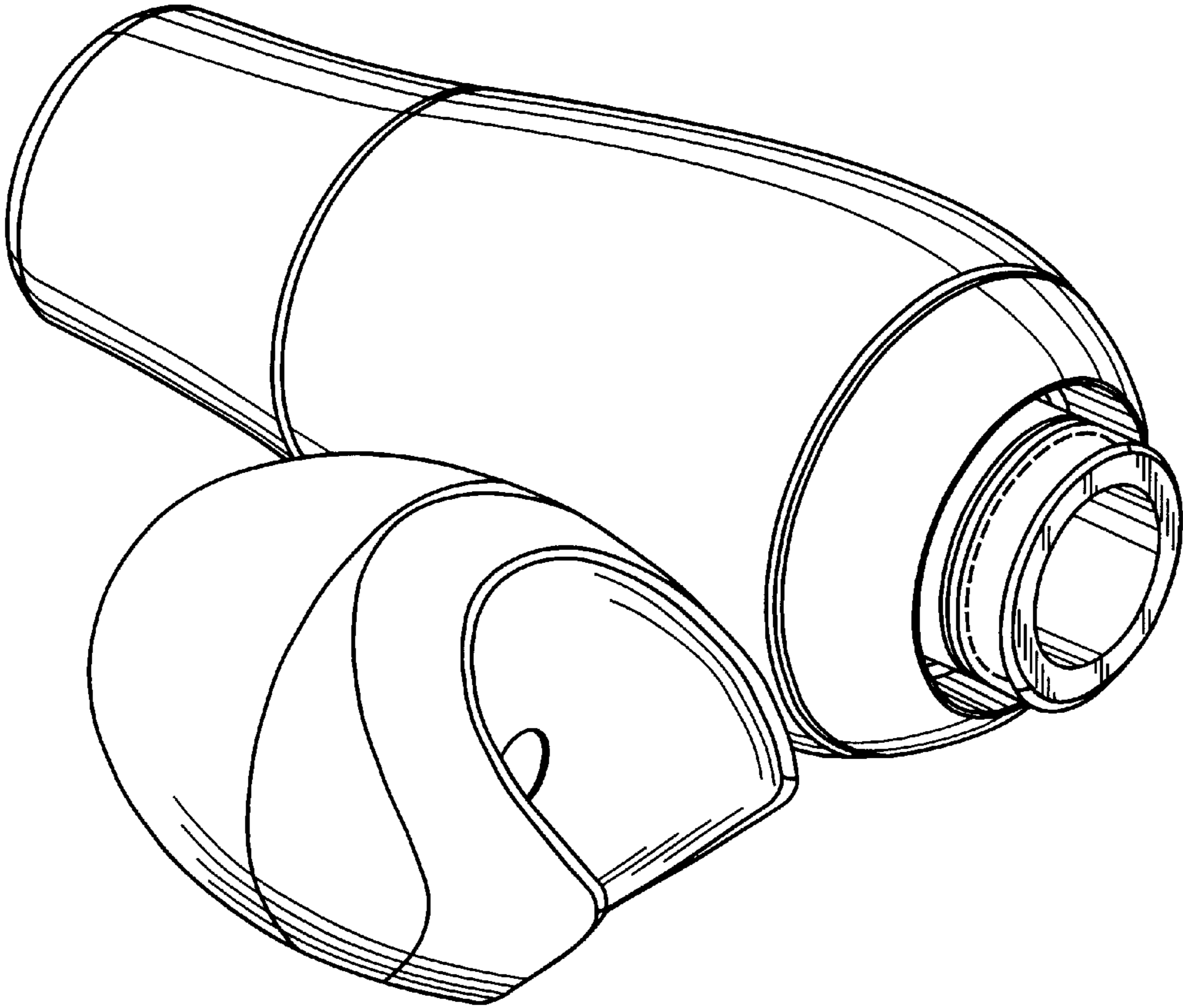


FIG. 1

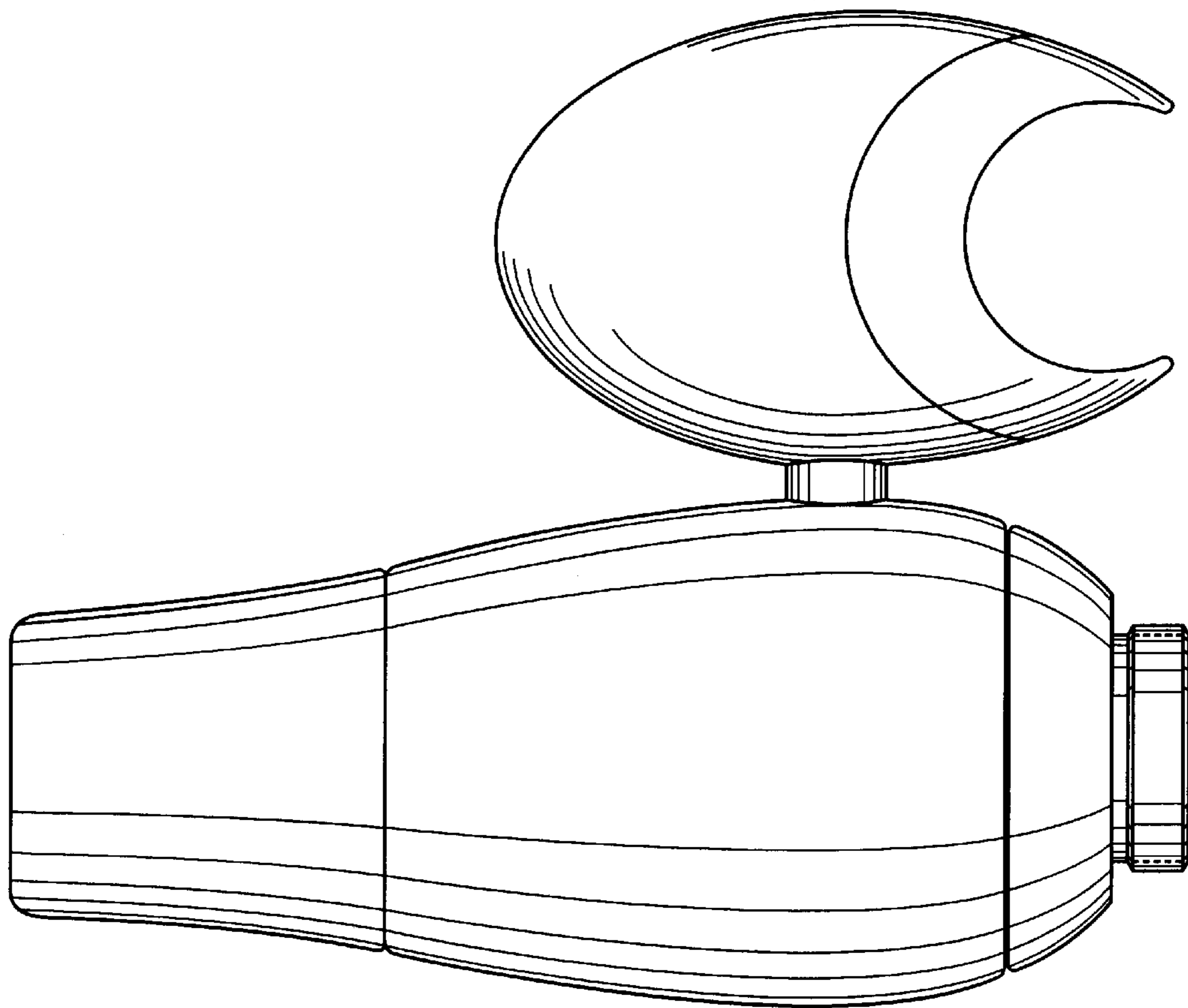


FIG. 2

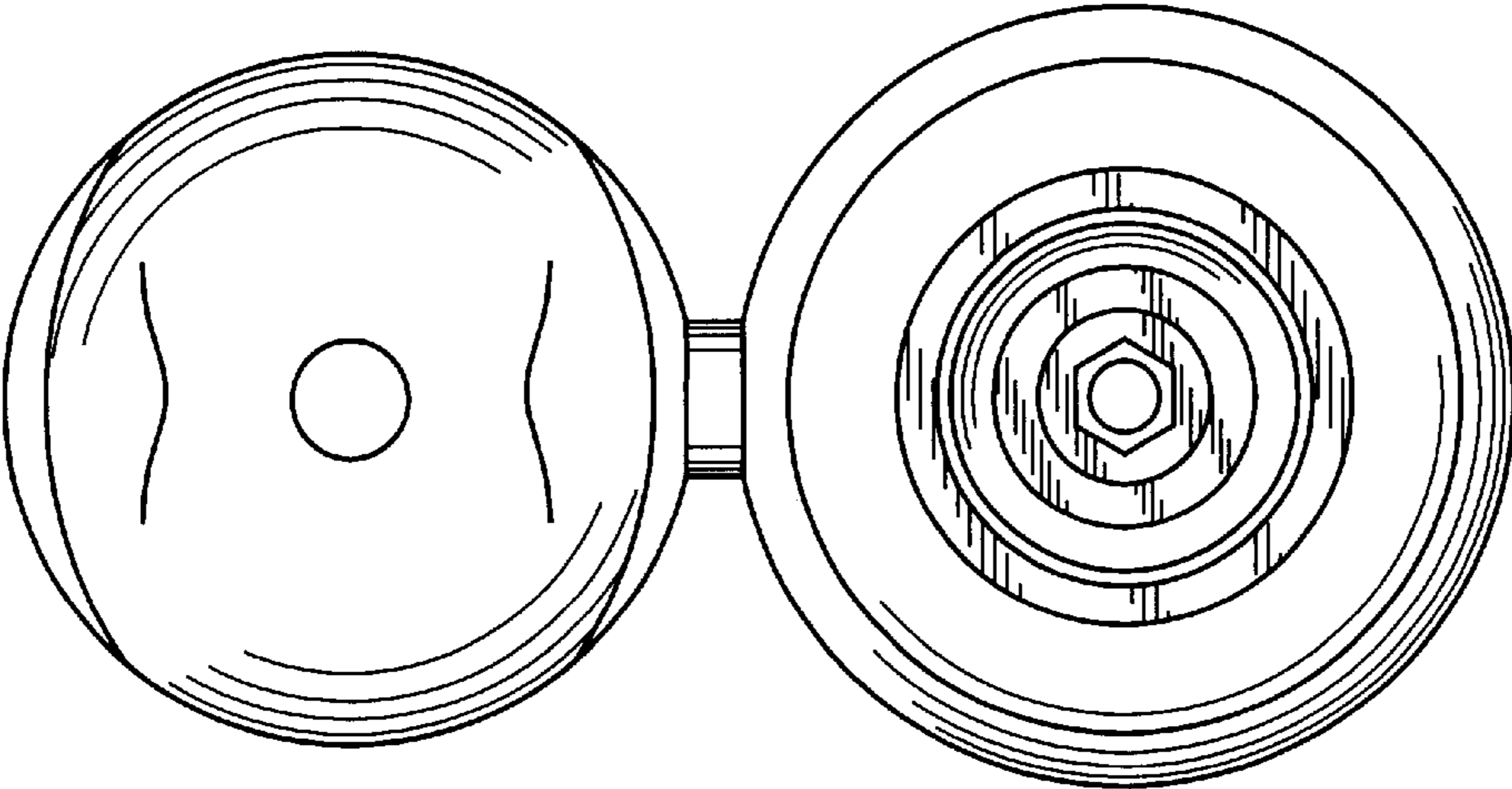


FIG. 3

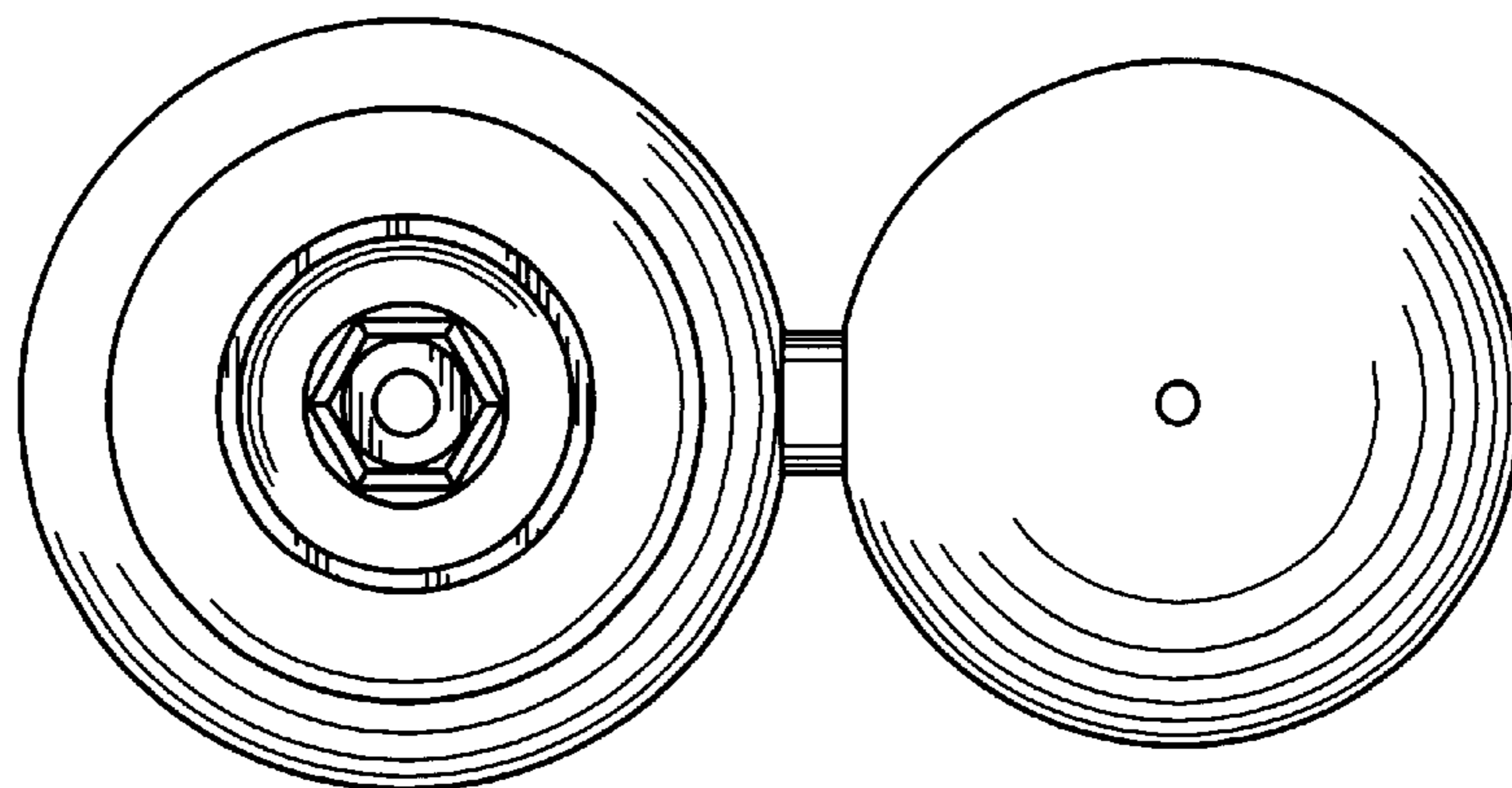


FIG. 4

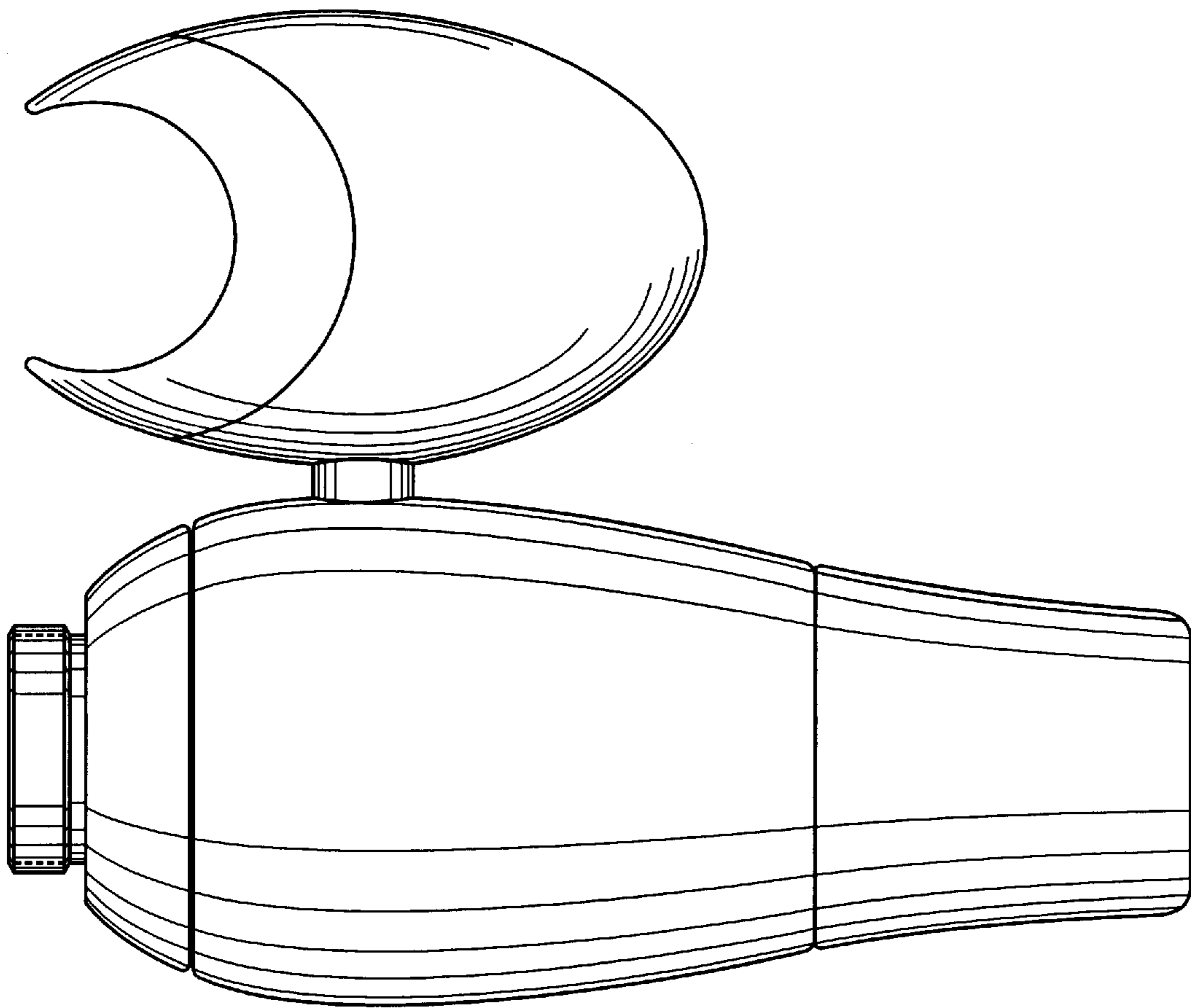


FIG. 5

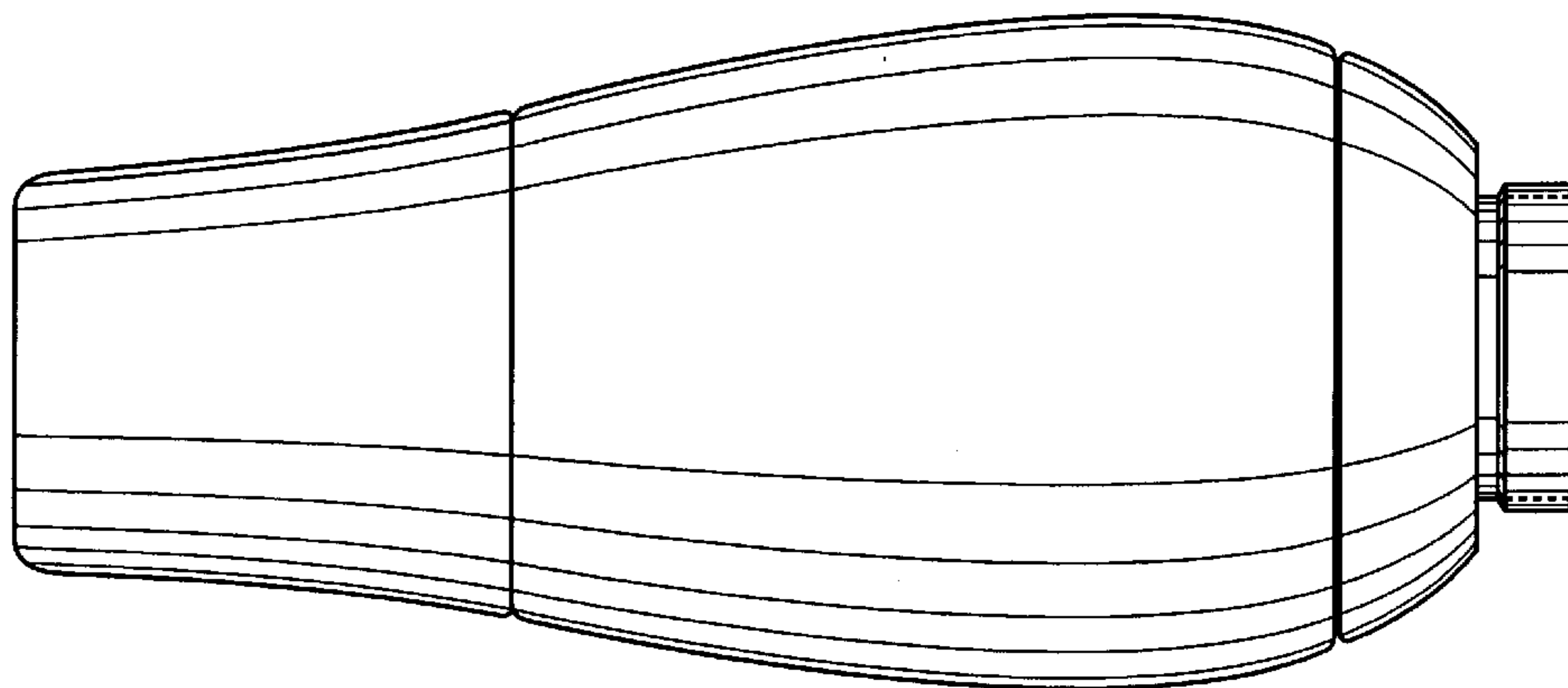


FIG. 6

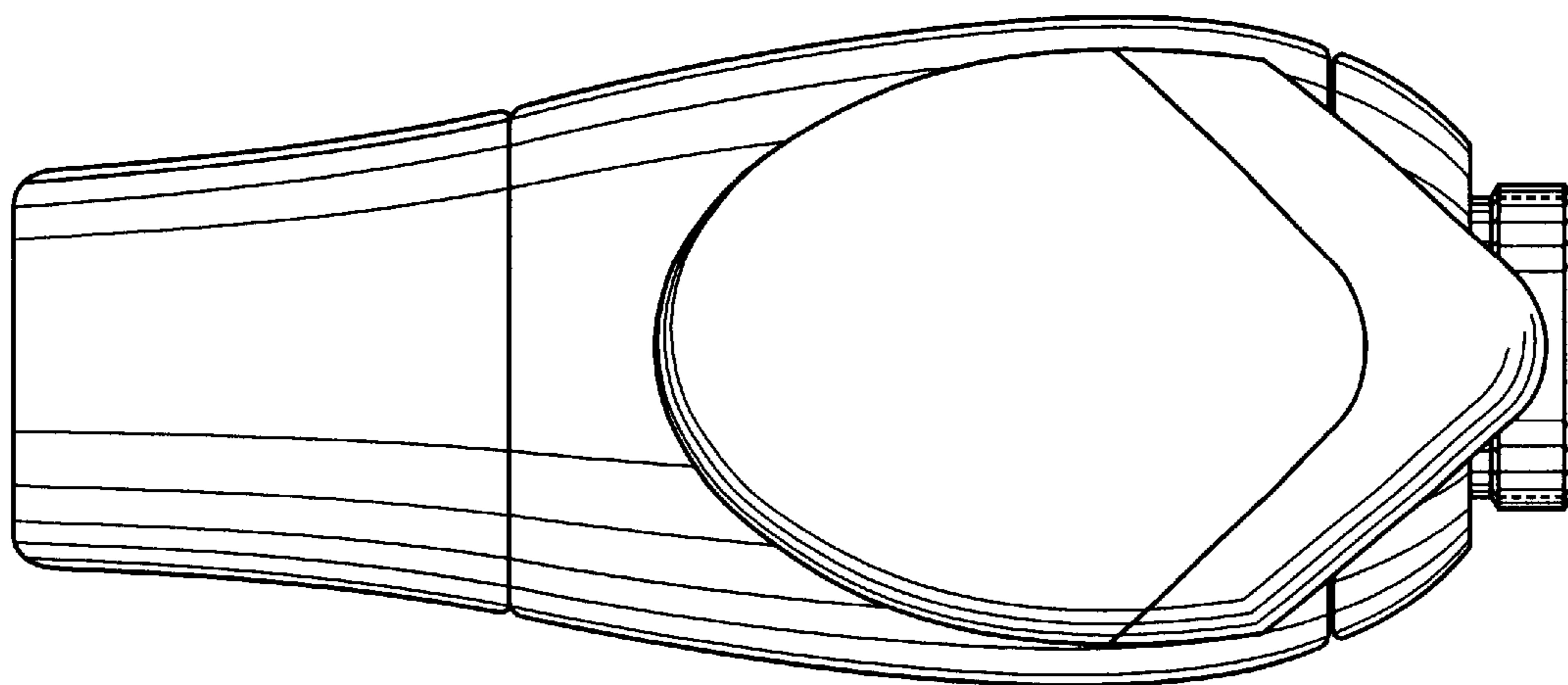


FIG. 7