

US00D517668S

(12) **United States Design Patent** (10) **Patent No.:** **US D517,668 S**
Illert et al. (45) **Date of Patent:** **** Mar. 21, 2006**

(54) **SINK**

(75) Inventors: **Bertrand Illert**, Aachen (DE); **Michael Lammel**, Aachen (DE); **Rudolf Huber**, Lörrach (DE)

(73) Assignee: **Niro-Plan AG**, Aarburg (CH)

(**) Term: **14 Years**

(21) Appl. No.: **29/210,768**

(22) Filed: **Aug. 5, 2004**

(51) **LOC (8) Cl.** **23-02**

(52) **U.S. Cl.** **D23/287; D23/290**

(58) **Field of Classification Search** **D23/270-273, D23/284-287, 292-293.1, 303, 290, 308; 4/662-666, 619, 637-642, 661**

See application file for complete search history.

(56) **References Cited**

U.S. PATENT DOCUMENTS

D102,060 S * 11/1936 Love et al. D23/287
4,624,020 A * 11/1986 Abderhalden et al. 4/637

* cited by examiner

Primary Examiner—Robert A. Delehanty

(74) *Attorney, Agent, or Firm*—Wood, Phillips, Katz, Clark & Mortimer

(57) **CLAIM**

The ornamental design for a sink, as shown and described.

DESCRIPTION

FIG. 1 is an isometric view of a sink showing our new design and according to a first embodiment of our new design, as seen from a top, front, right vantage;

FIG. 2 is a top plan thereof;

FIG. 3 is a bottom plan thereof;

FIG. 4 is a front elevation thereof;

FIG. 5 is an end elevation thereof, as seen from the left end shown in FIGS. 1, 2, and 3;

FIG. 6 is a top plan of a sink showing our new design and according to a second embodiment of our new design;

FIG. 7 is a bottom plan of the sink shown in FIG. 6;

FIG. 8 is a front elevation of the sink shown in FIGS. 6 and 7; and,

FIG. 9 is an end elevation of the sink shown in FIGS. 6 and 7, as seen from the left end shown therein.

Sinks according to the first and second embodiments are similar, except that a sink according to the first embodiment has a backsplash, which a sink according to the second embodiment does not have.

1 Claim, 7 Drawing Sheets

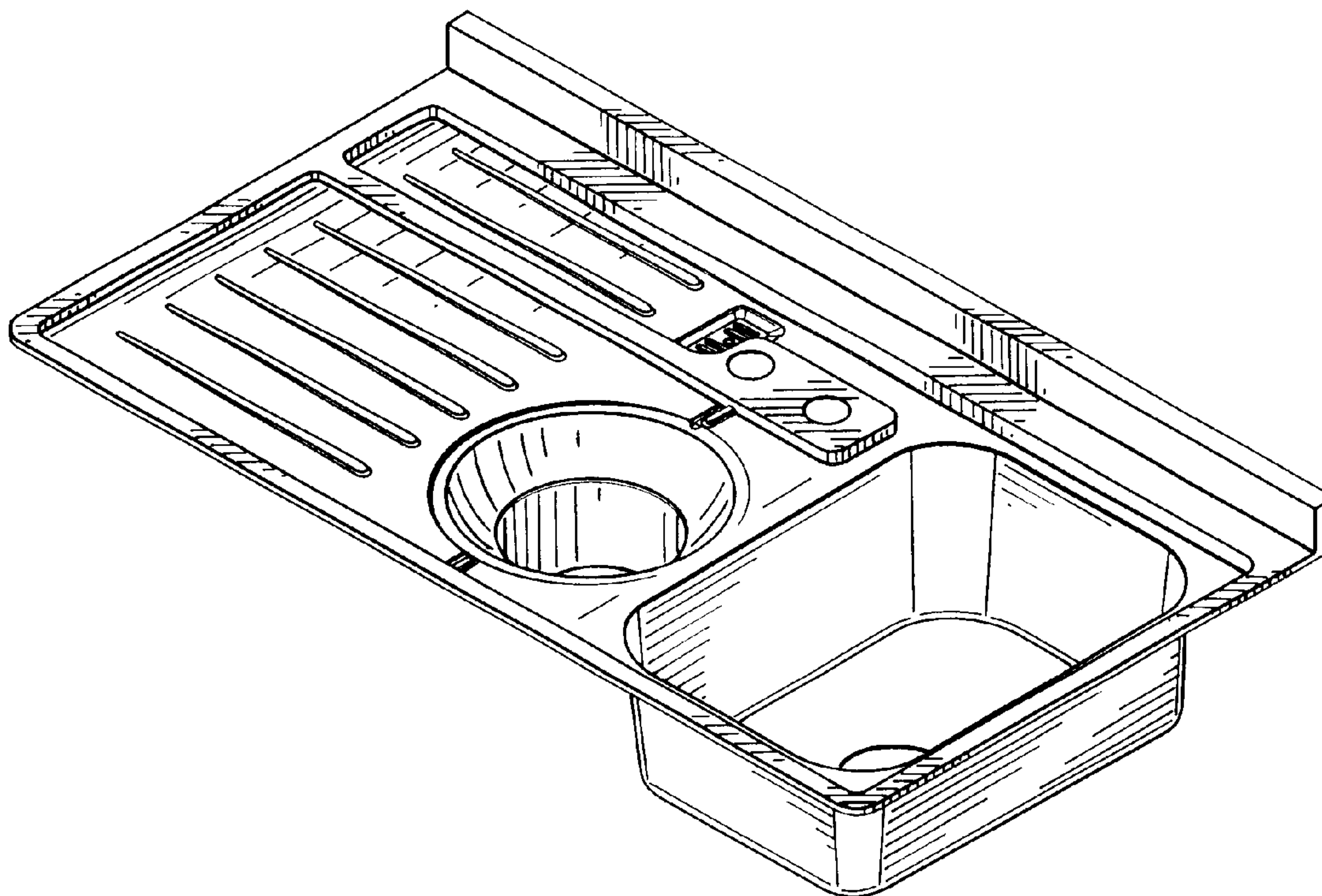


Fig. 1

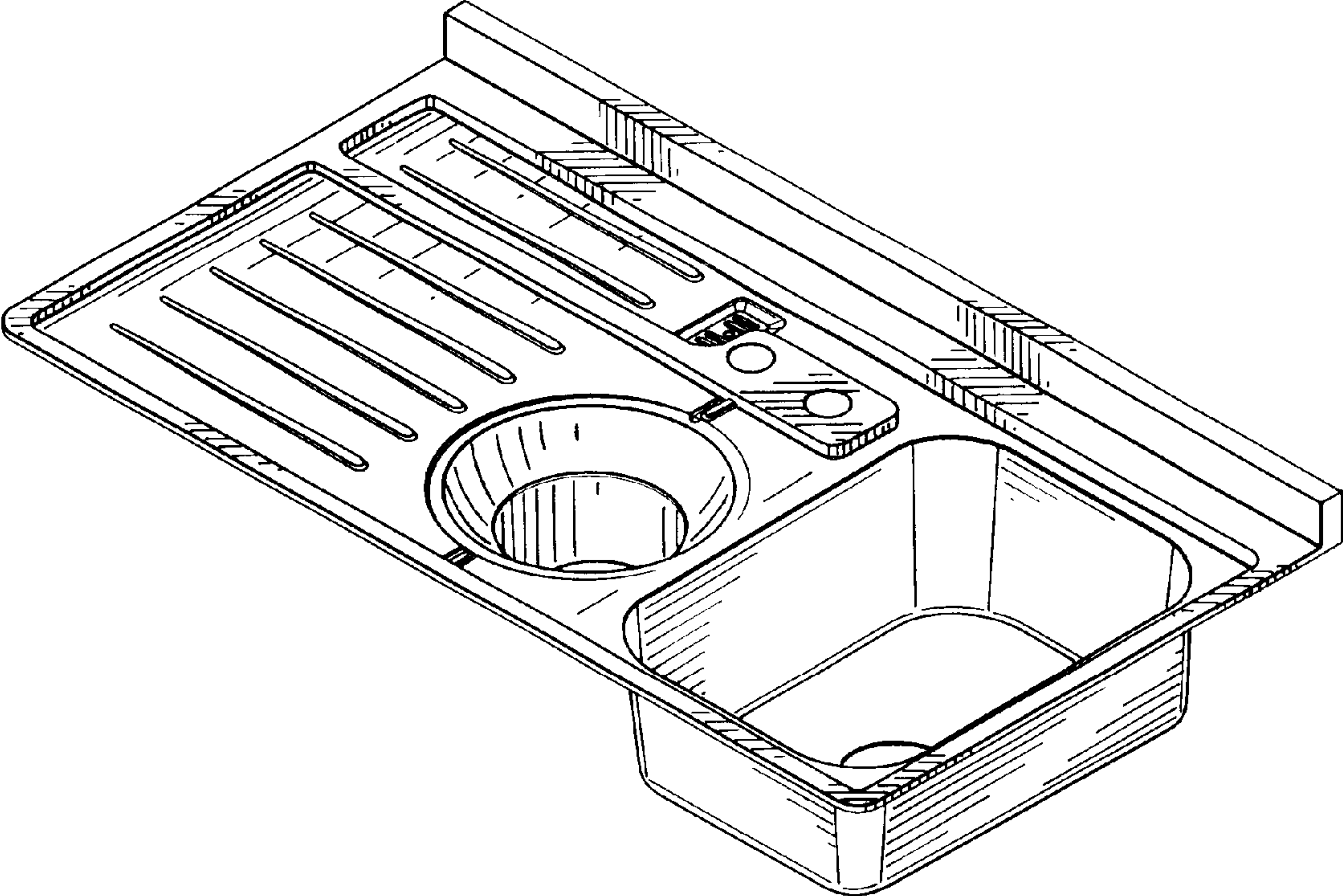


Fig. 2

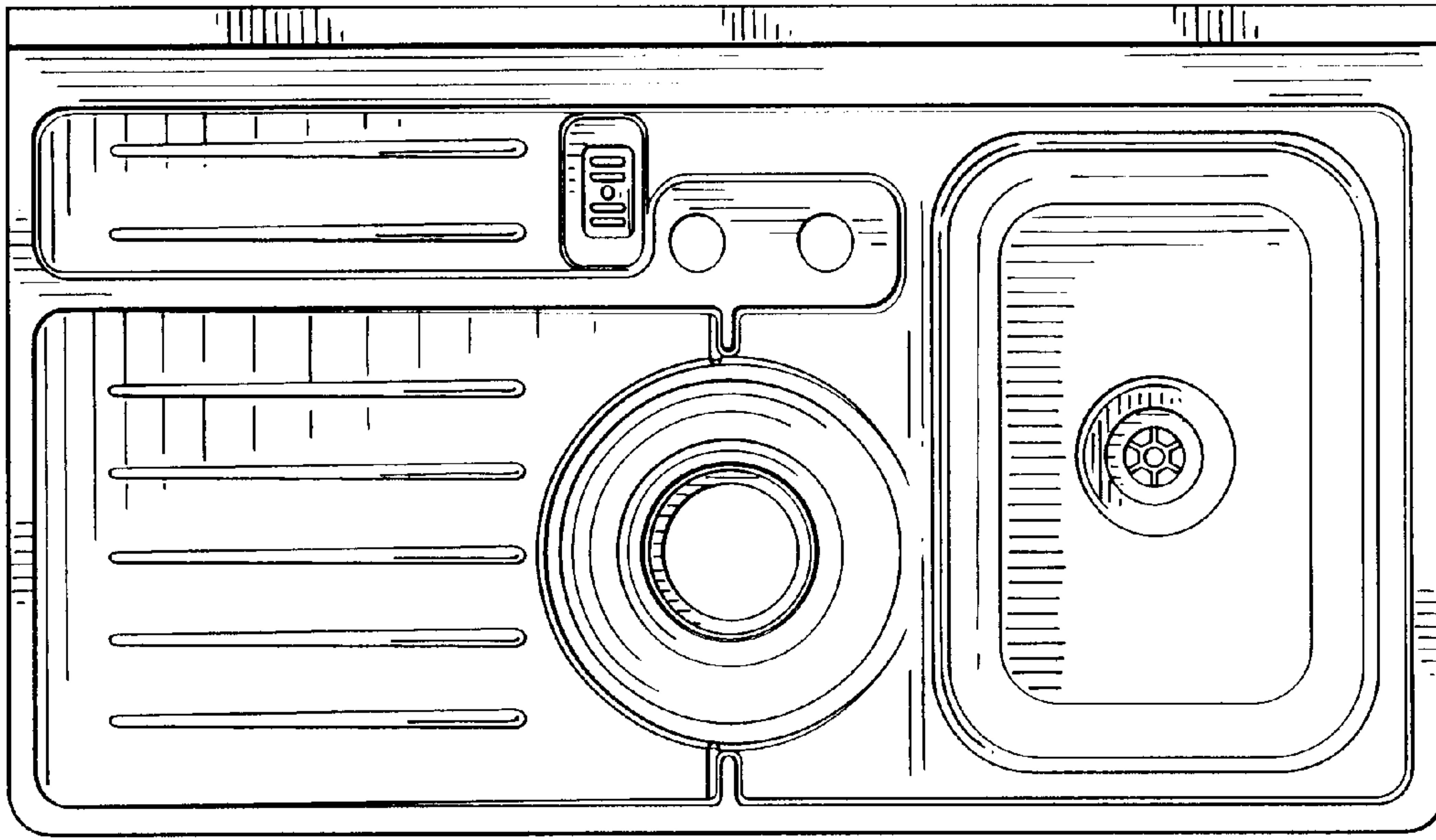


Fig. 3

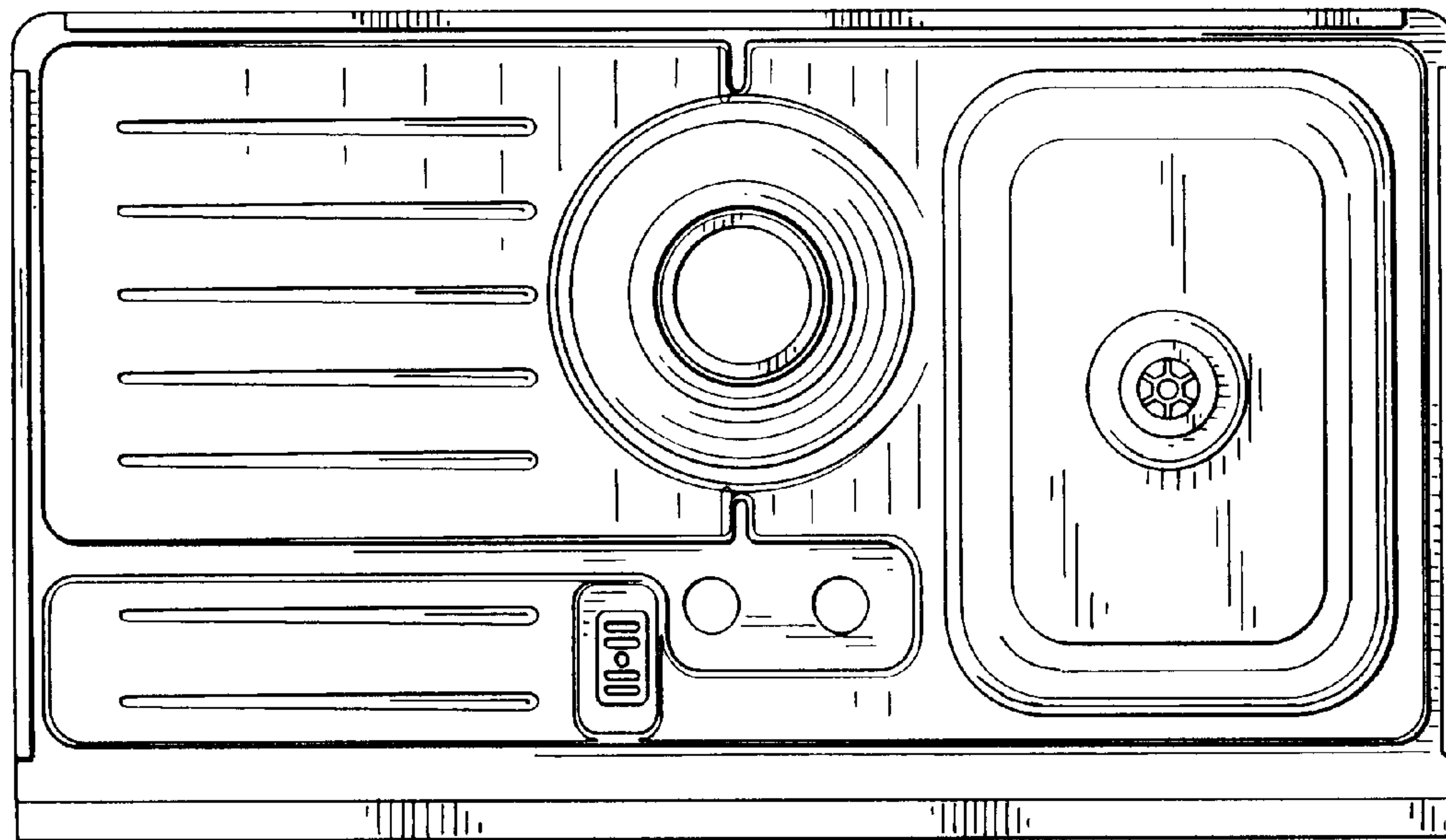


Fig. 4

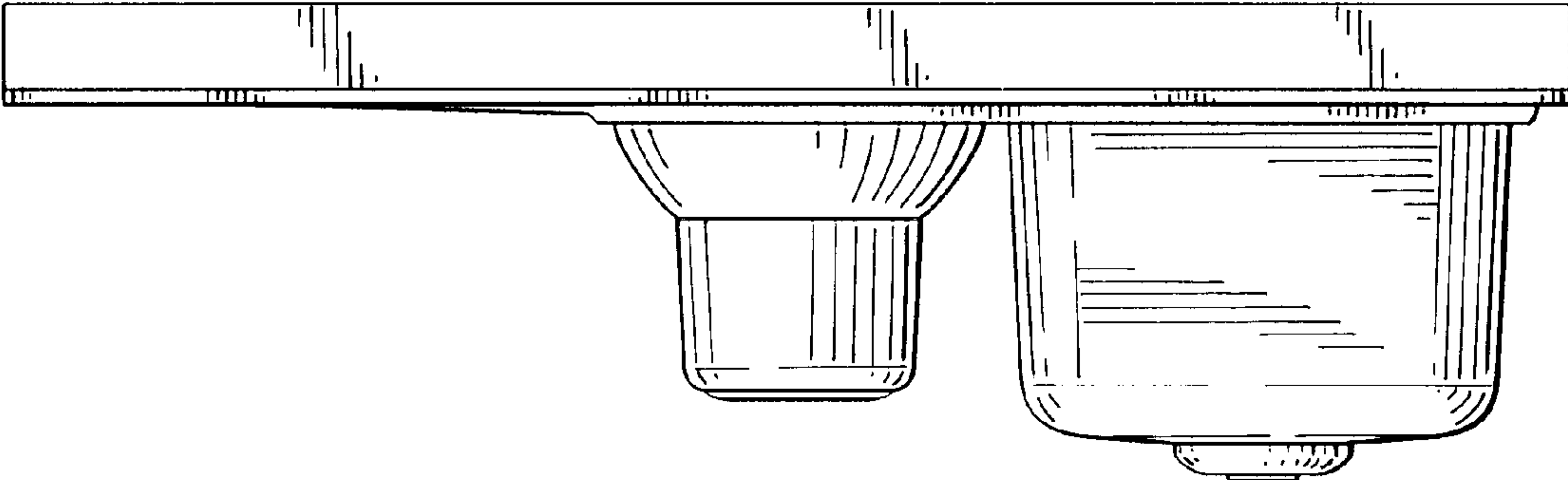


Fig. 5

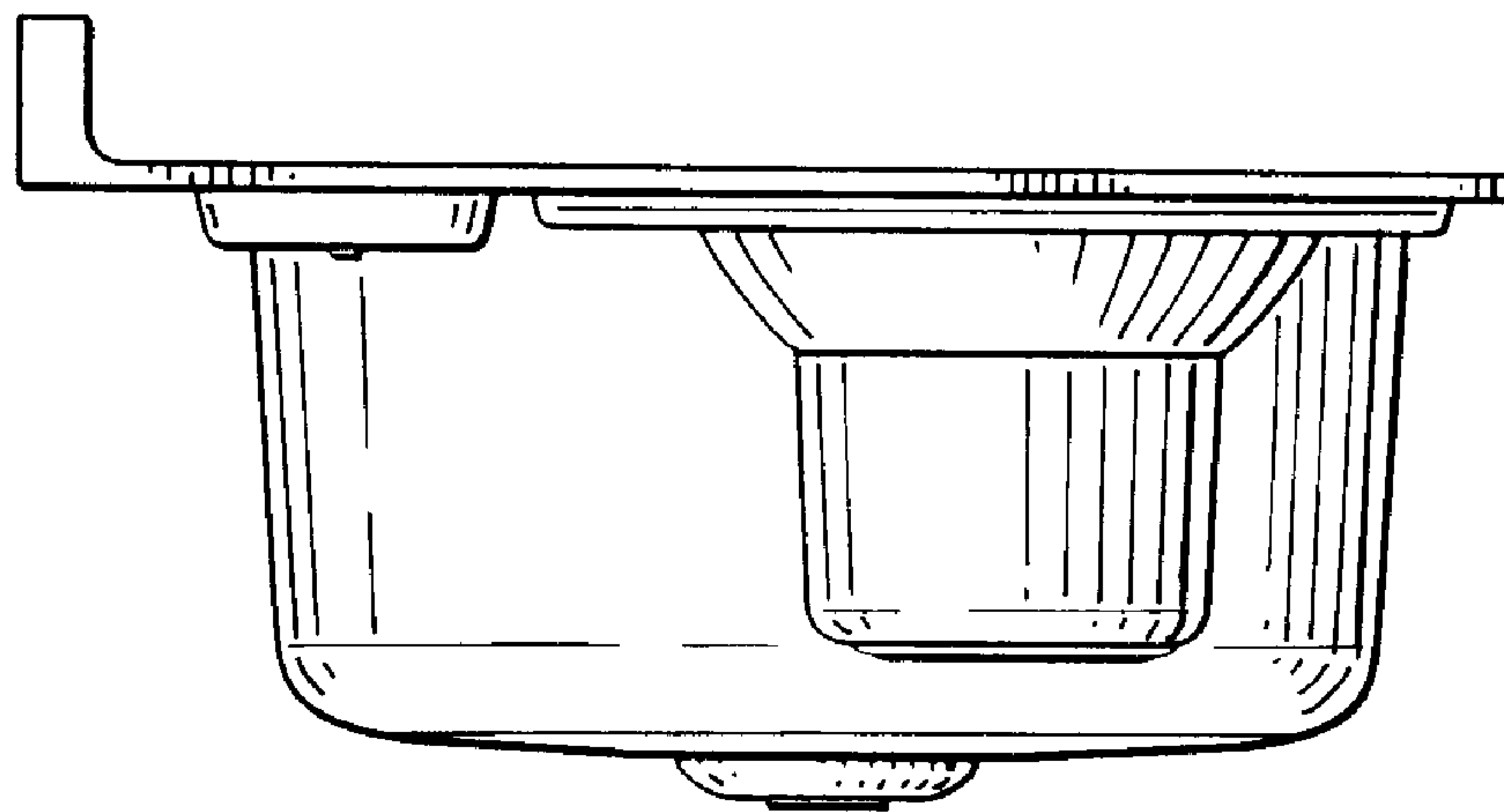


Fig. 6

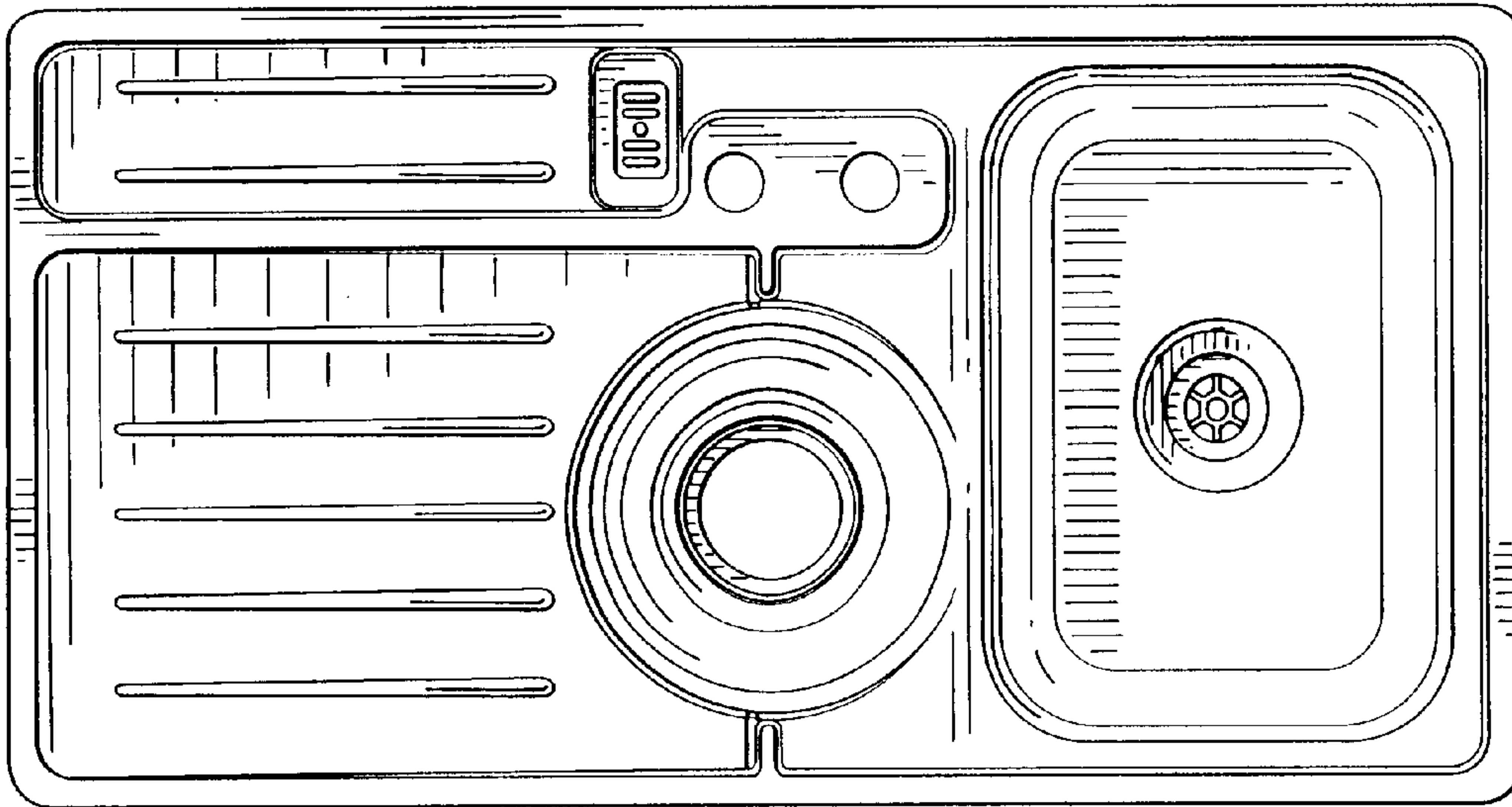


Fig. 7

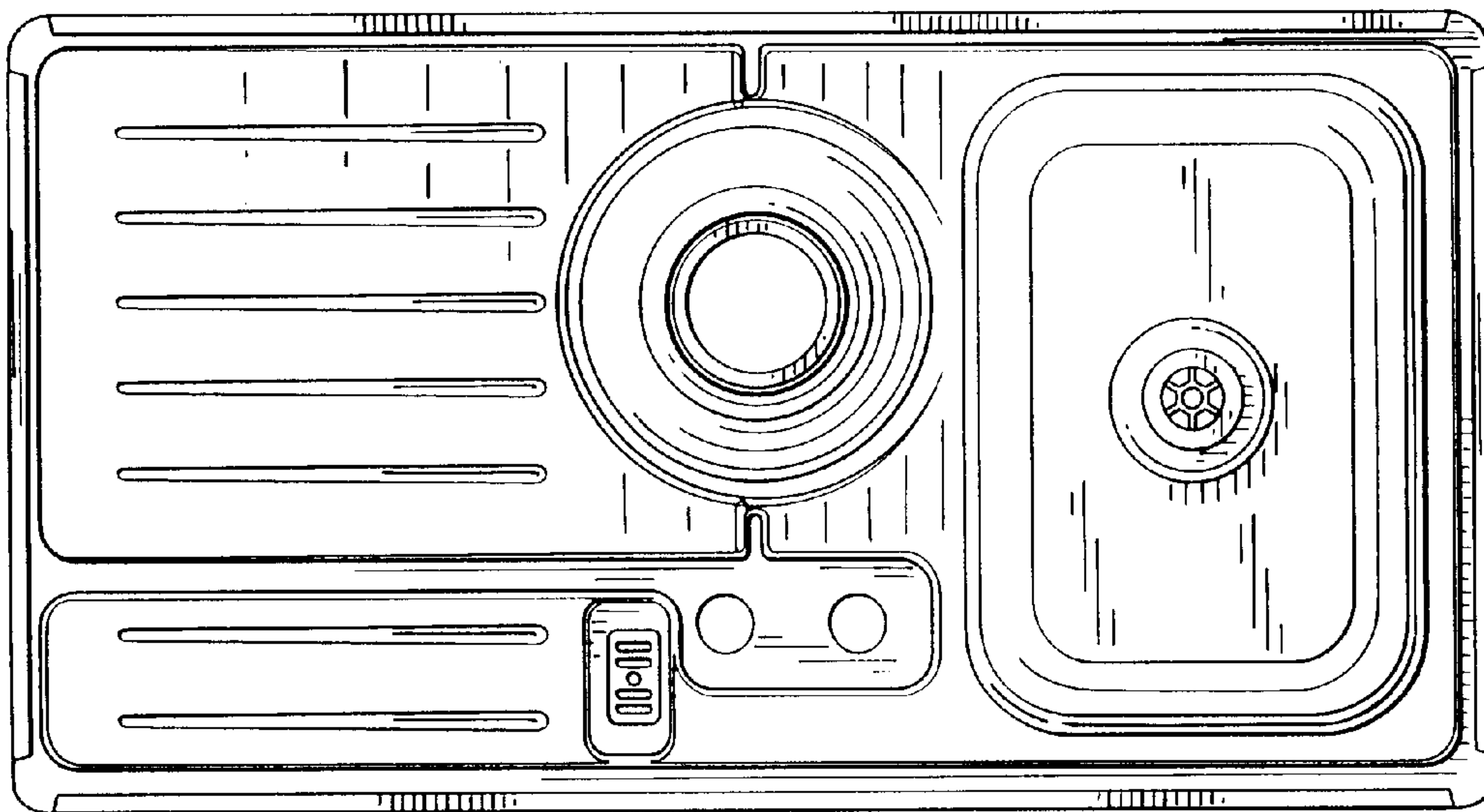


Fig. 8

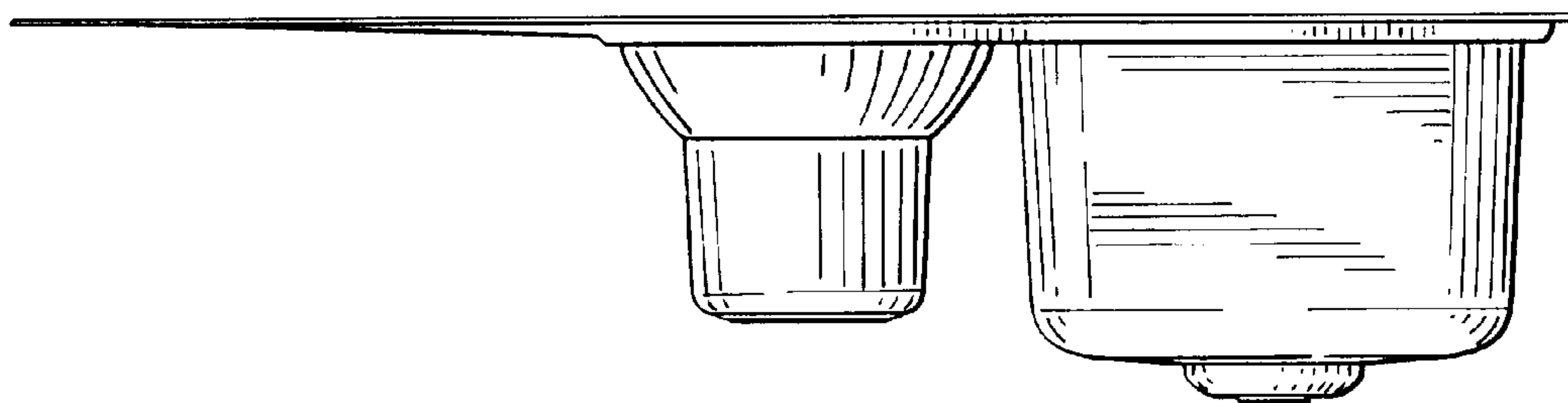


Fig. 9

