



US00D517667S

(12) **United States Design Patent**  
**Sener et al.**

(10) **Patent No.:** **US D517,667 S**  
(45) **Date of Patent:** **\*\* Mar. 21, 2006**

(54) **COUPLER FOR WATER HOSE**

D314,814 S \* 2/1991 Lubeck ..... D23/262  
D325,775 S \* 4/1992 Hayes ..... D23/262  
D457,604 S \* 5/2002 Chen ..... D23/262

(75) Inventors: **James Sener**, Glastonbury, CT (US);  
**Christopher Hageman**, Glastonbury,  
CT (US); **David Mathieu**, Colchester,  
CT (US)

\* cited by examiner

*Primary Examiner*—Robin V. Taylor

(74) *Attorney, Agent, or Firm*—Victor A. Henzi

(73) Assignee: **Gilmour, Inc.**, Newark, DE (US)

(57) **CLAIM**

(\*\*) Term: **14 Years**

The ornamental design for a coupler for water hose, as shown and described.

(21) Appl. No.: **29/212,649**

**DESCRIPTION**

(22) Filed: **Sep. 4, 2004**

(51) **LOC (8) Cl.** ..... **23-01**

(52) **U.S. Cl.** ..... **D23/262**

(58) **Field of Classification Search** ..... D23/259,  
D23/262; 285/275, 277; 251/149.1, 150  
See application file for complete search history.

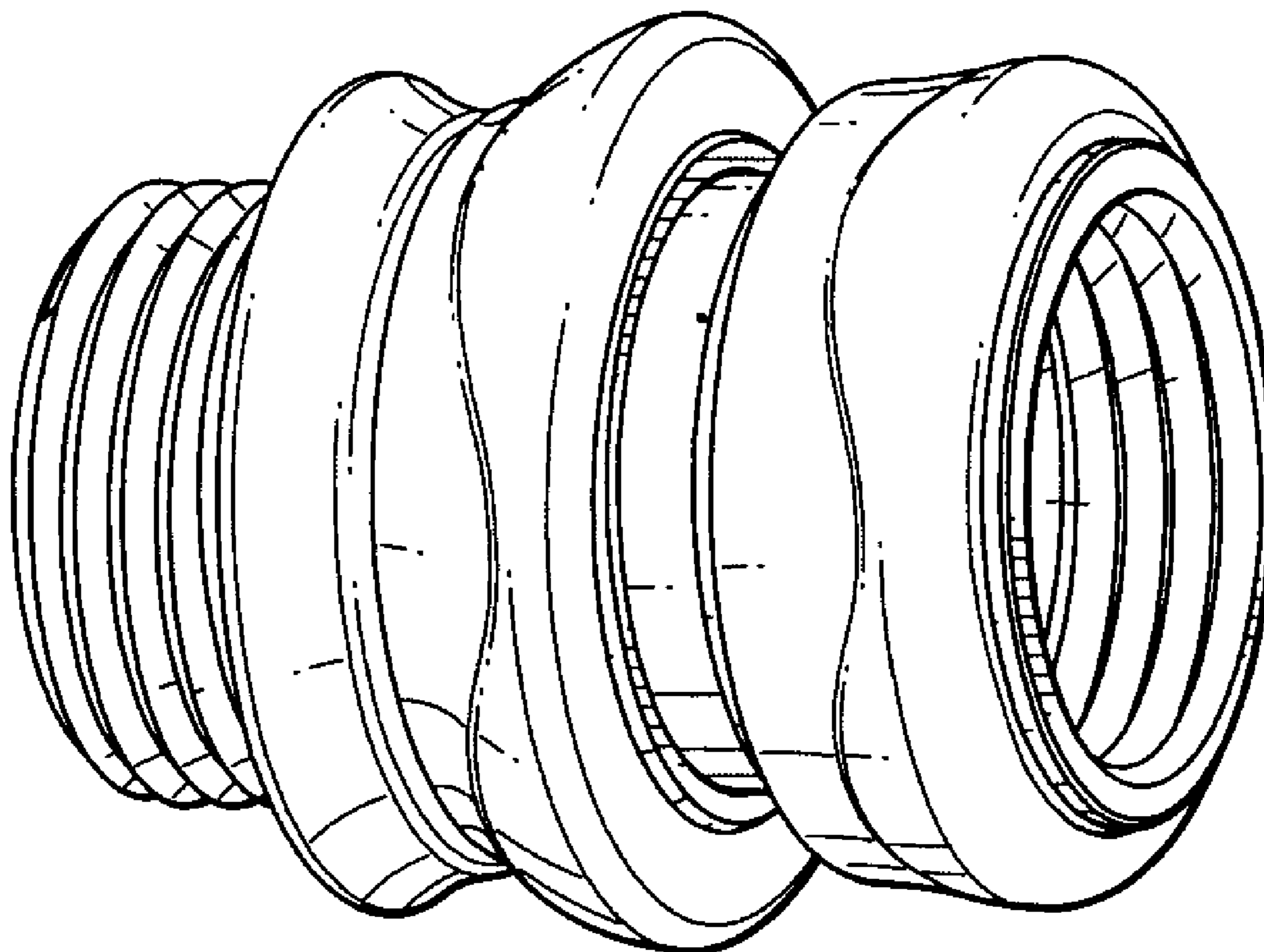
FIG. 1 is a front right perspective view of the present new design for a coupler for water hose;  
FIG. 2 is an exploded front right perspective view thereof;  
FIG. 3 is a left elevational view thereof;  
FIG. 4 is a right elevational view thereof;  
FIG. 5 is a top plan view thereof;  
FIG. 6 is a bottom plan view thereof;  
FIG. 7 is a rear elevational view thereof; and,  
FIG. 8 is a front elevational view thereof.

(56) **References Cited**

**U.S. PATENT DOCUMENTS**

D127,470 S \* 5/1941 Carlson ..... D23/262  
3,468,562 A \* 9/1969 Chow et al. .... 285/81

**1 Claim, 4 Drawing Sheets**



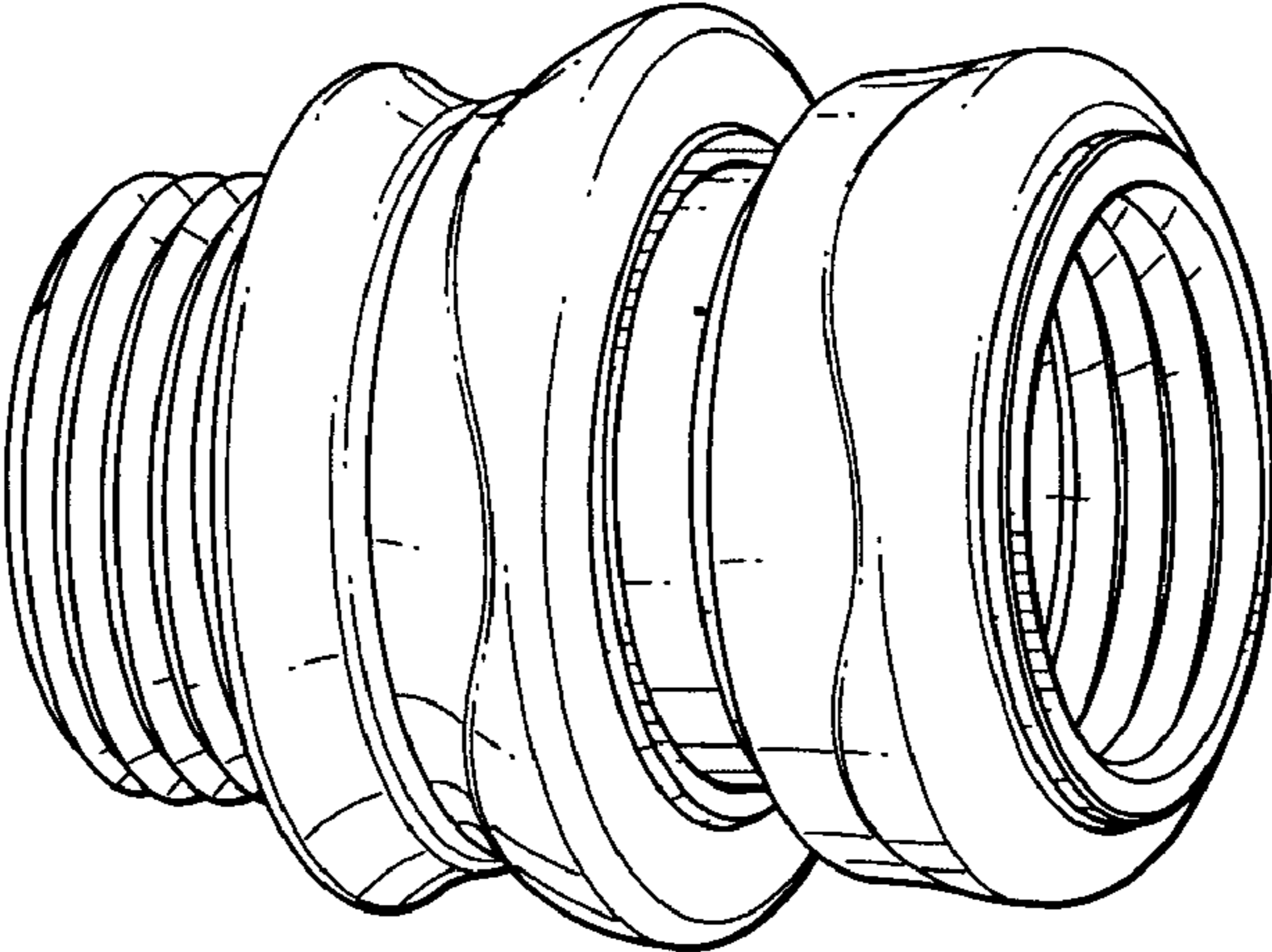


FIG. 1

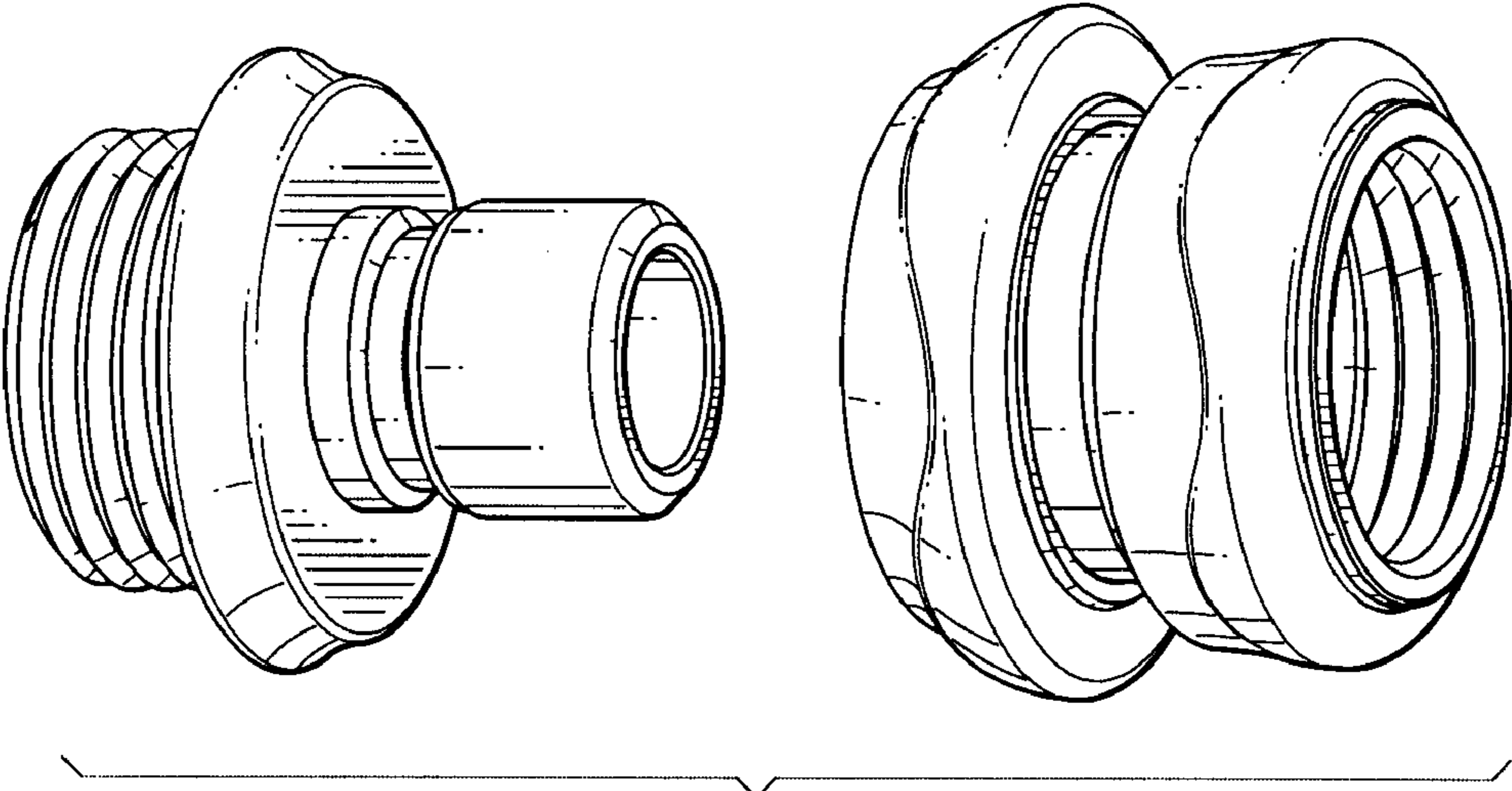


FIG. 2

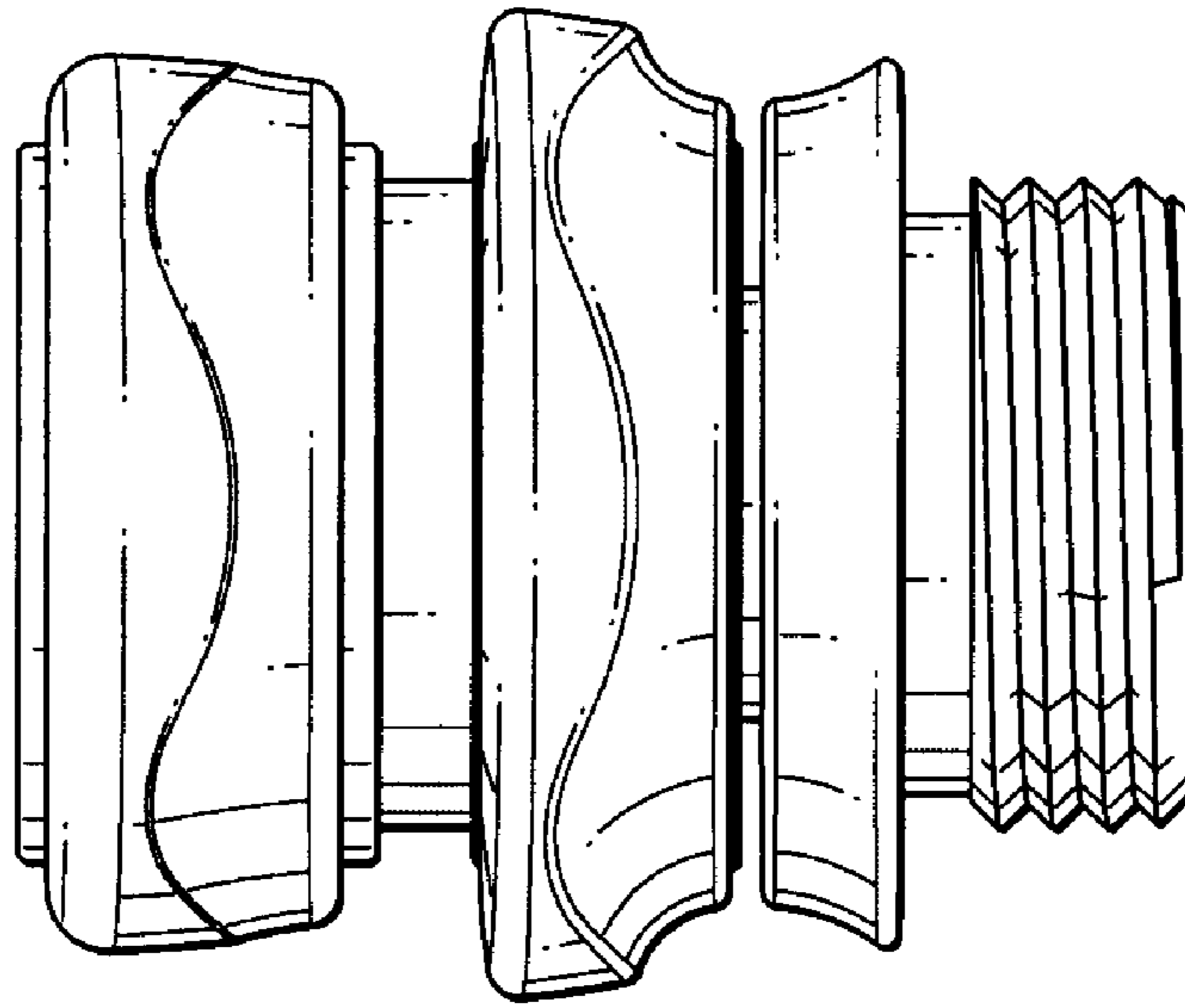


FIG. 3

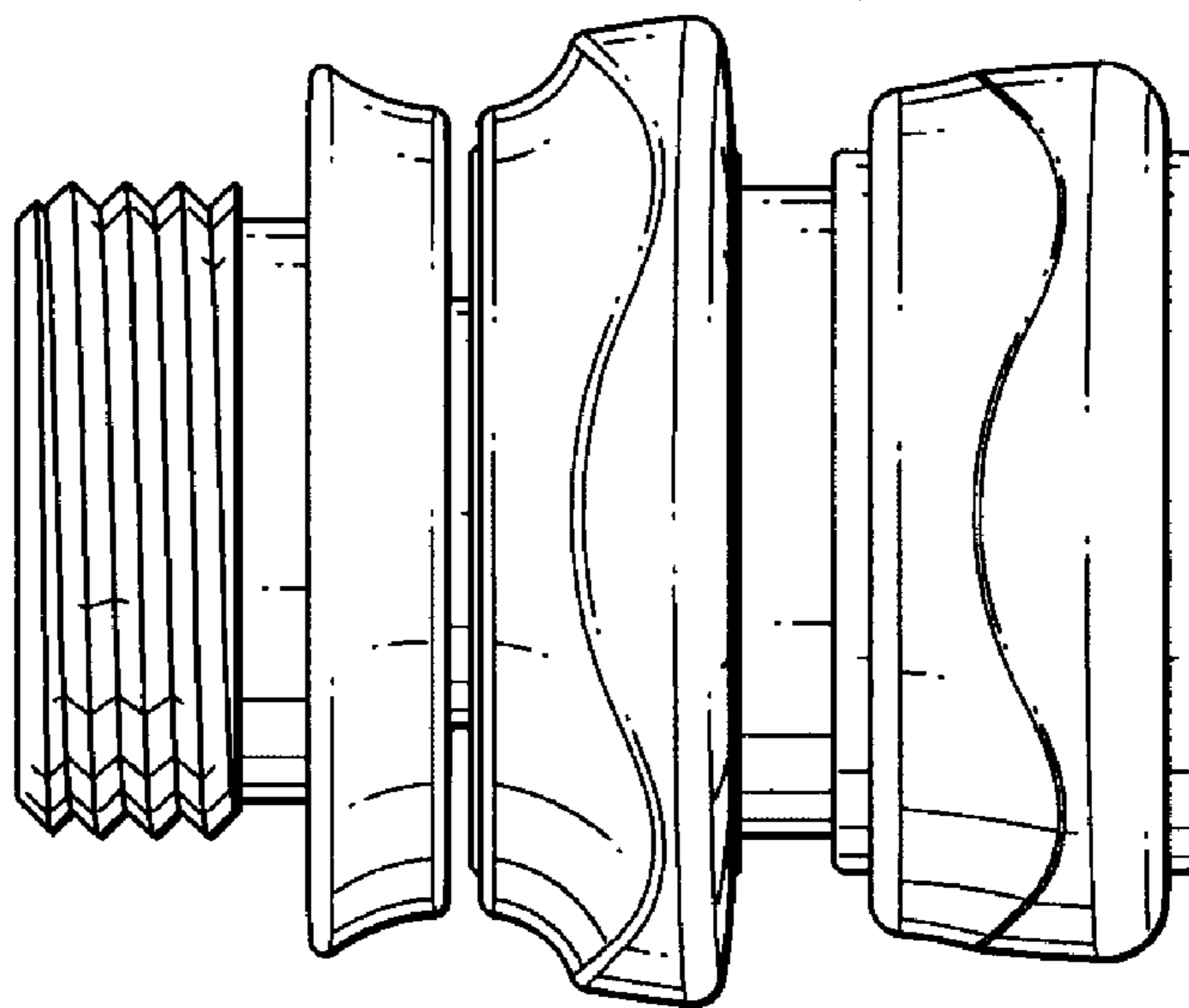


FIG. 4

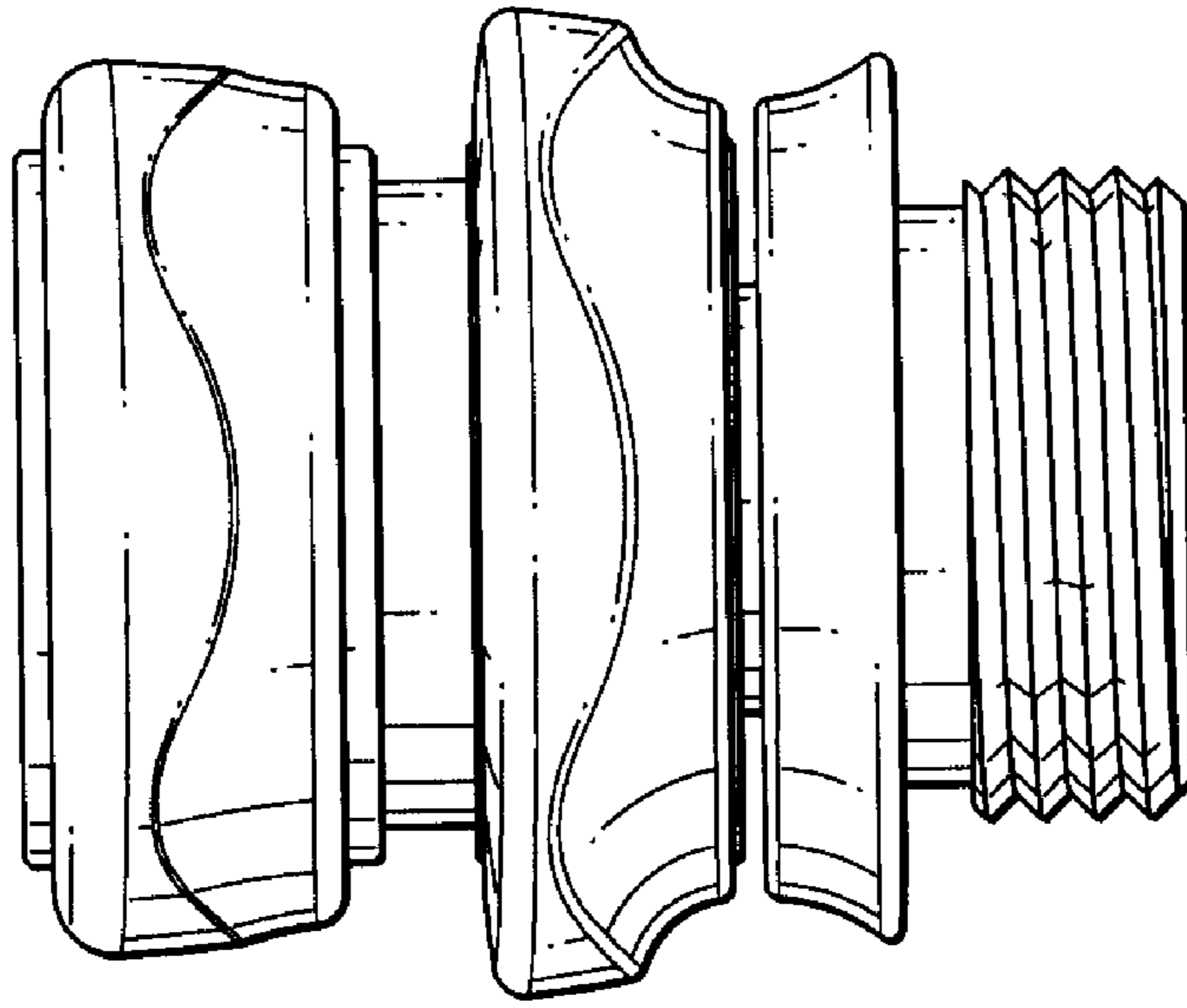


FIG. 5

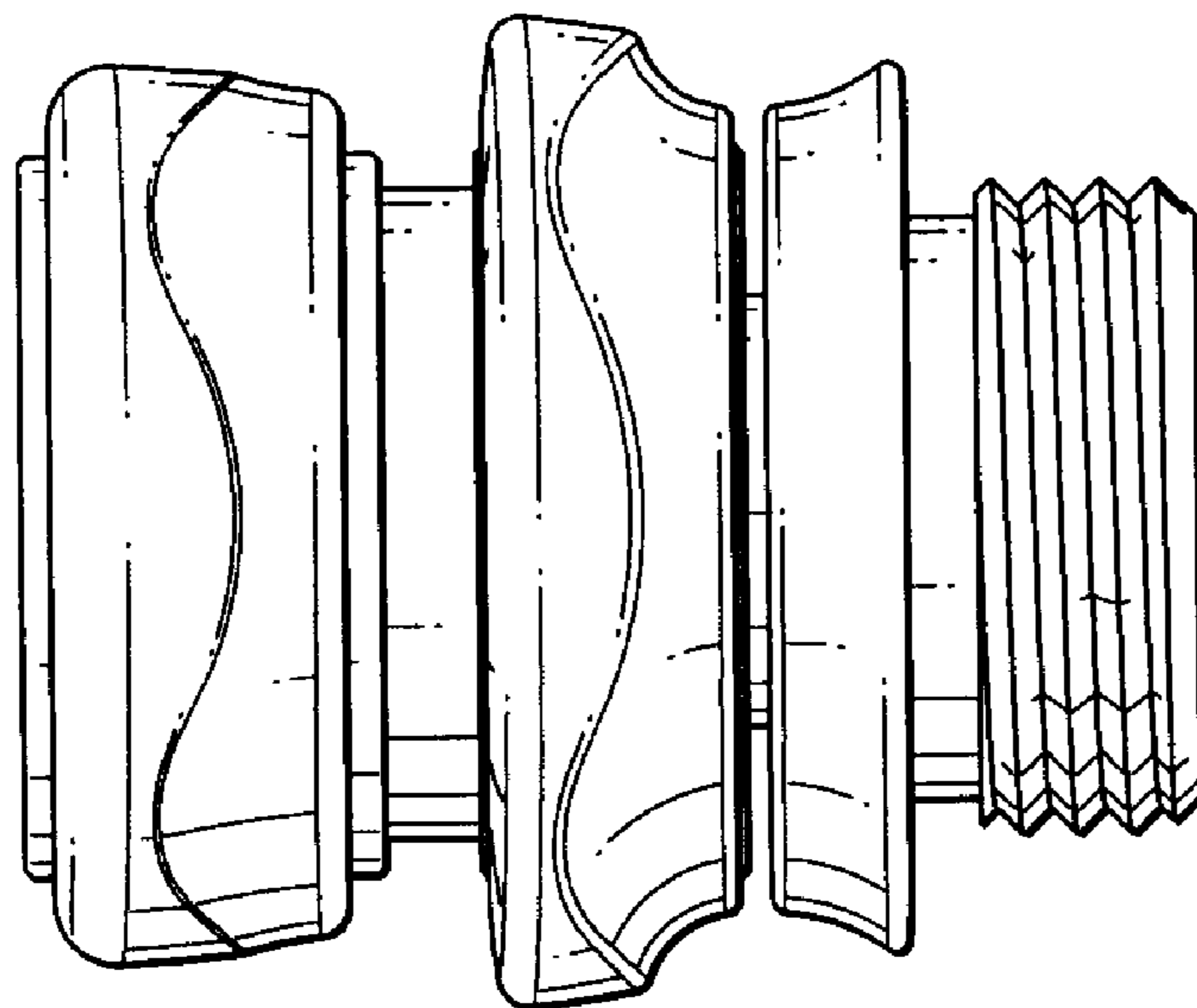


FIG. 6

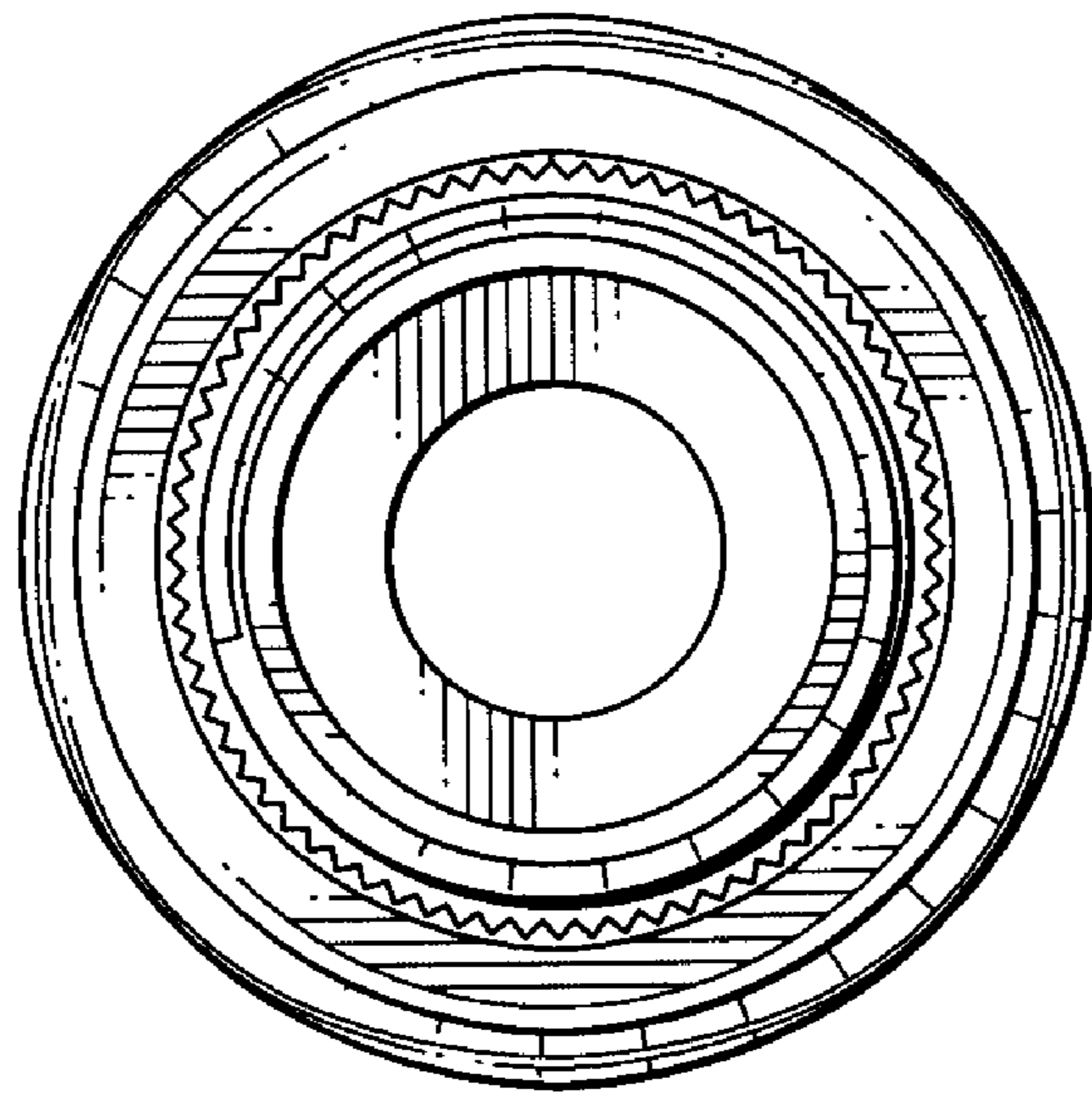


FIG. 7

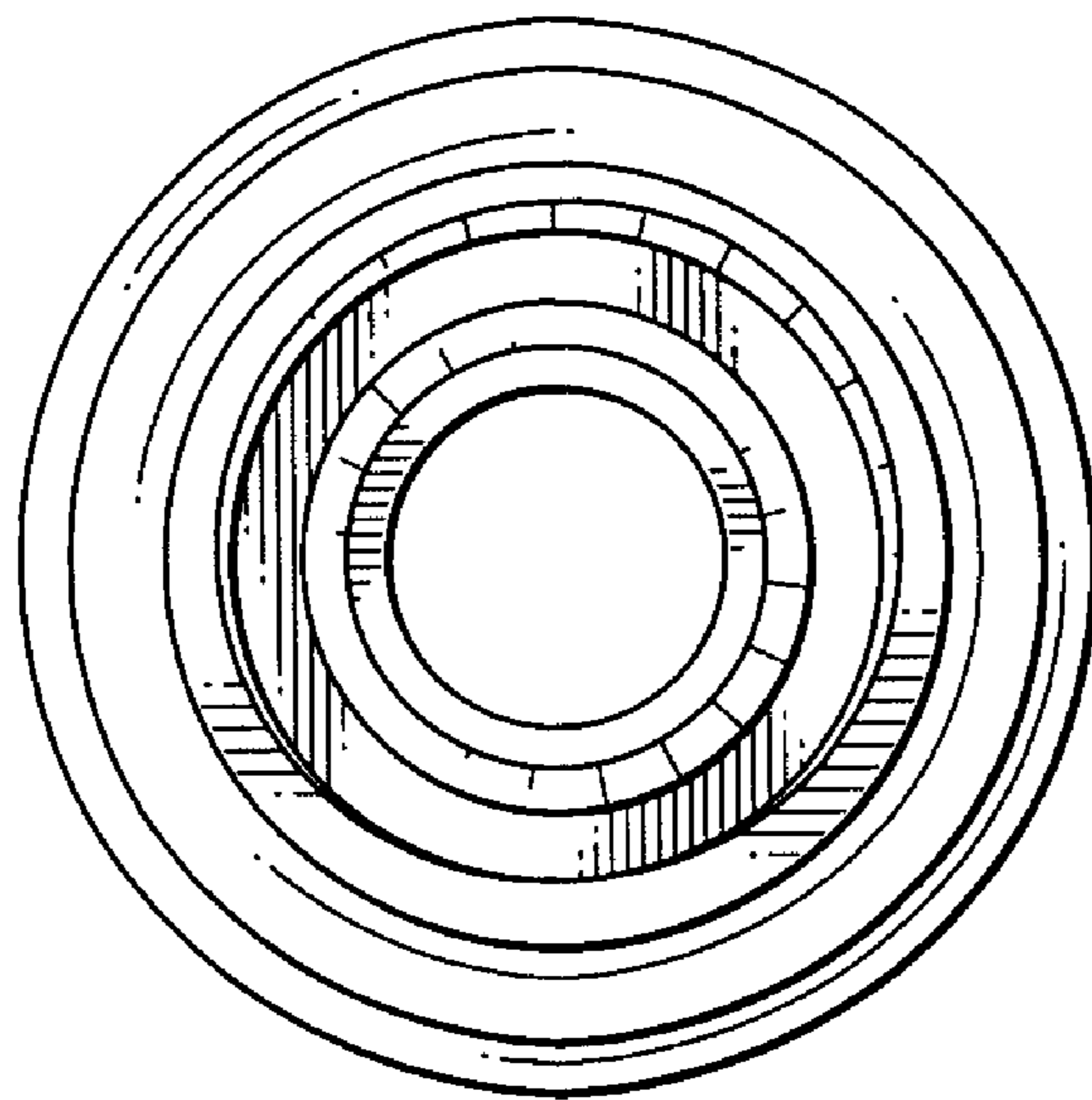


FIG. 8