



US00D517664S

(12) **United States Design Patent**
Hill

(10) **Patent No.:** **US D517,664 S**

(45) **Date of Patent:** **** Mar. 21, 2006**

(54) **SINK BASKET STRAINER ASSEMBLY**

(76) Inventor: **Lloyd W. Hill**, 2471 E. Gerard Ave.,
Merced, CA (US) 95340

(**) Term: **14 Years**

(21) Appl. No.: **29/214,867**

(22) Filed: **Oct. 12, 2004**

(51) **LOC (8) Cl.** **23-01**

(52) **U.S. Cl.** **D23/261**

(58) **Field of Classification Search** D23/260,
D23/261; 4/286, 289, 290, 292, 679; 210/164
See application file for complete search history.

(56) **References Cited**

U.S. PATENT DOCUMENTS

2,225,693	A	12/1940	Frances	
3,007,179	A	11/1961	Bertulli	
3,104,400	A	9/1963	Lantz et al.	
3,327,326	A	6/1967	Friedman	
3,509,586	A	5/1970	Politz	
3,800,339	A *	4/1974	Bergin	4/287
4,232,407	A *	11/1980	Williams	4/287
4,692,948	A *	9/1987	Martin	4/286
5,318,230	A	6/1994	Ferguson et al.	
5,535,455	A *	7/1996	Liu	4/287
5,560,052	A	10/1996	Ferguson et al.	
5,592,701	A *	1/1997	Smith	4/295
6,175,971	B1	1/2001	O'Neil	
D441,848	S	5/2001	Huang	

* cited by examiner

Primary Examiner—Robin V. Taylor

(74) *Attorney, Agent, or Firm*—Charles H. Thomas

(57) **CLAIM**

The ornamental design for a sink basket strainer assembly, as shown and described.

DESCRIPTION

FIG. 1 is a perspective view of a sink basket strainer assembly illustrating my new design;
 FIG. 2 is a top plan view thereof;
 FIG. 3 is a bottom plan view thereof;
 FIG. 4 is a side elevational view thereof;
 FIG. 5 is another elevational view thereof taken at an angular displacement of ninety degrees from the view of FIG. 4;
 FIG. 6 is another side elevational view taken at an angular displacement of one hundred eighty degrees from the view of FIG. 4;
 FIG. 7 is an exploded perspective view thereof;
 FIG. 8 is a perspective view of an alternate embodiment of a sink basket strainer assembly illustrating my new design;
 FIG. 9 is a top plan view thereof;
 FIG. 10 is a bottom plan view thereof;
 FIG. 11 is a side elevational view thereof;
 FIG. 12 is another side elevational view thereof taken at an angular displacement of ninety degrees from the view of FIG. 11; and,
 FIG. 13 is another side elevational view taken at an angular displacement of one hundred eighty degrees from the view of FIG. 11.

1 Claim, 9 Drawing Sheets

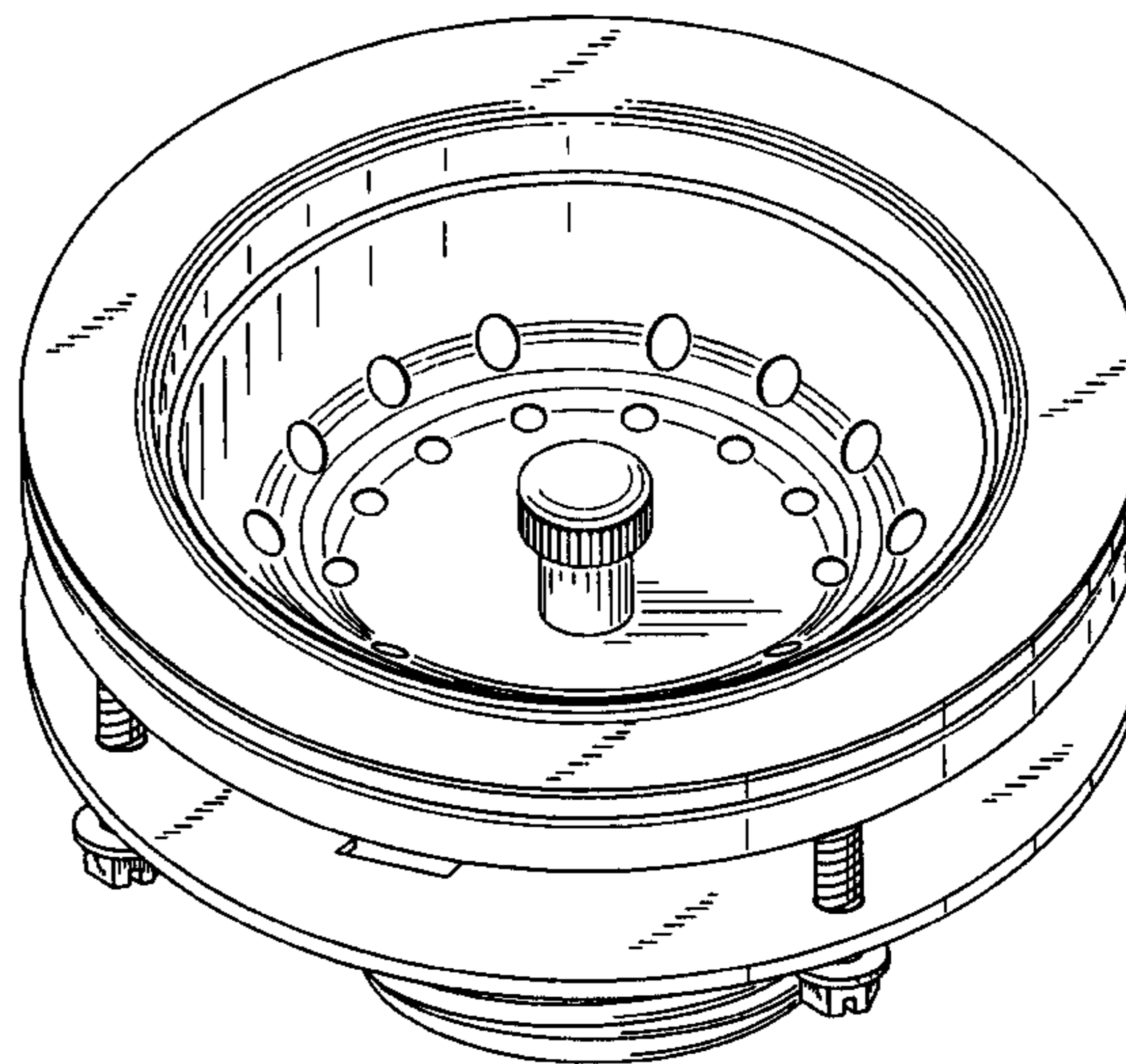
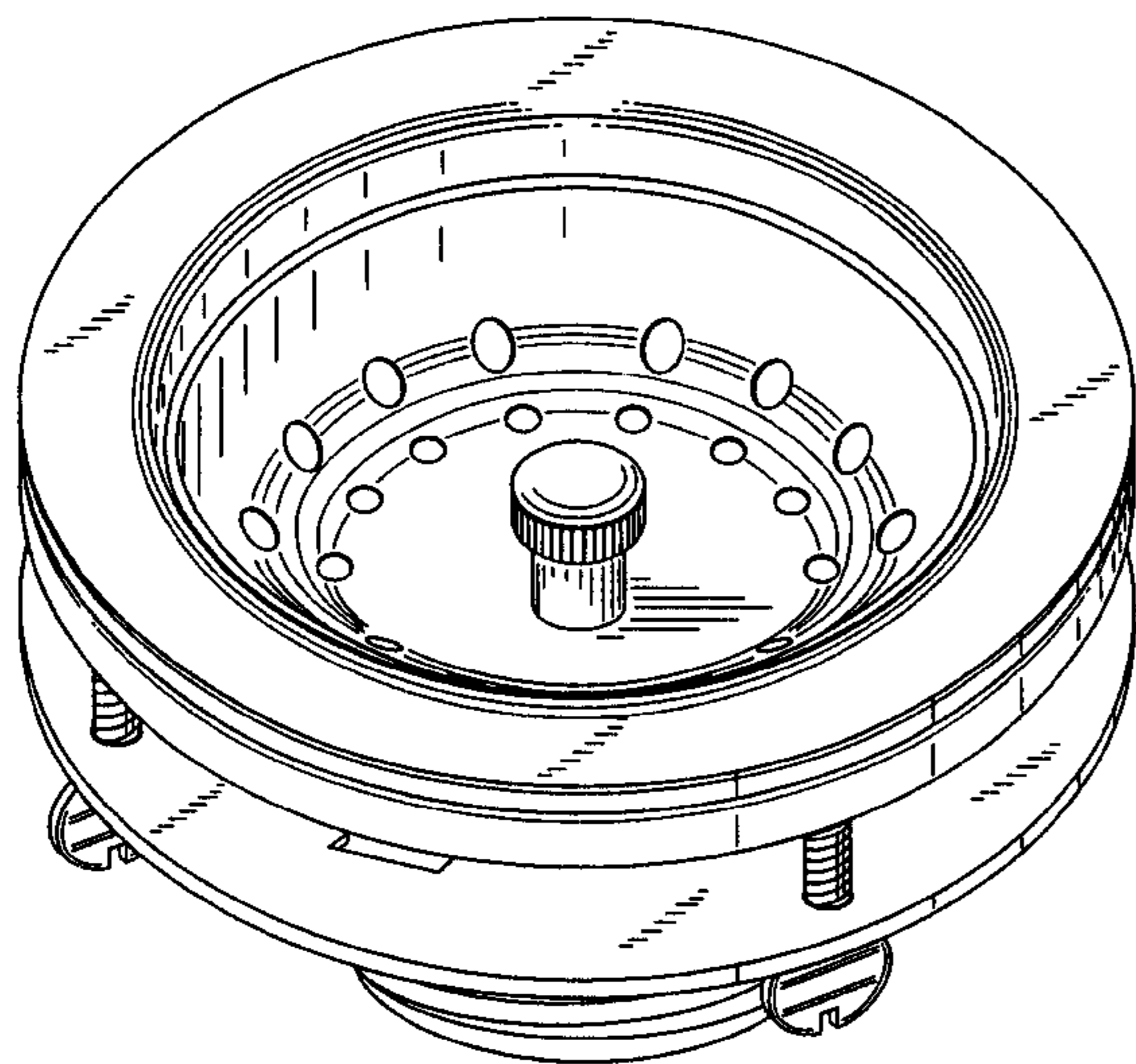


FIG. 1

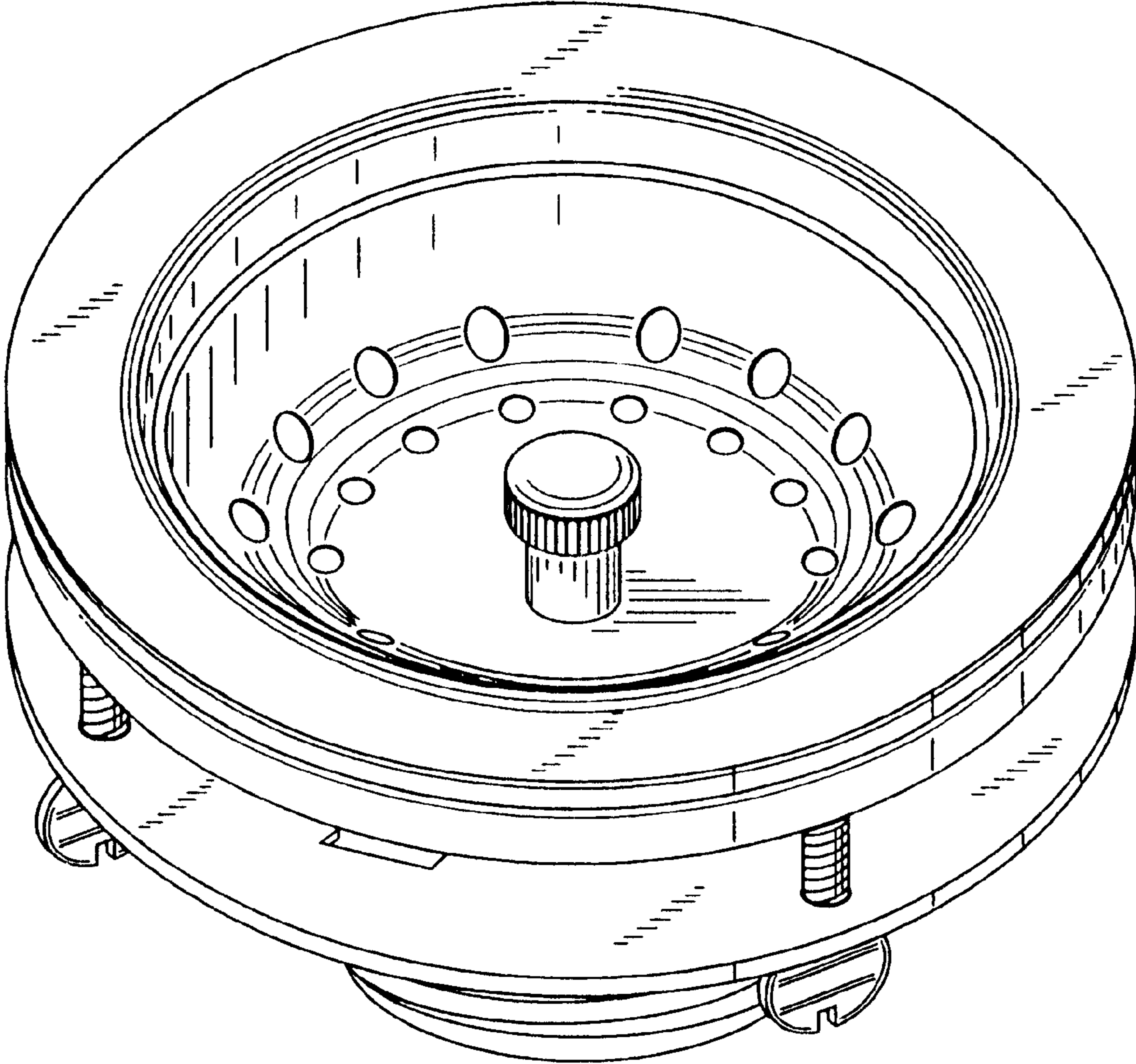


FIG. 2

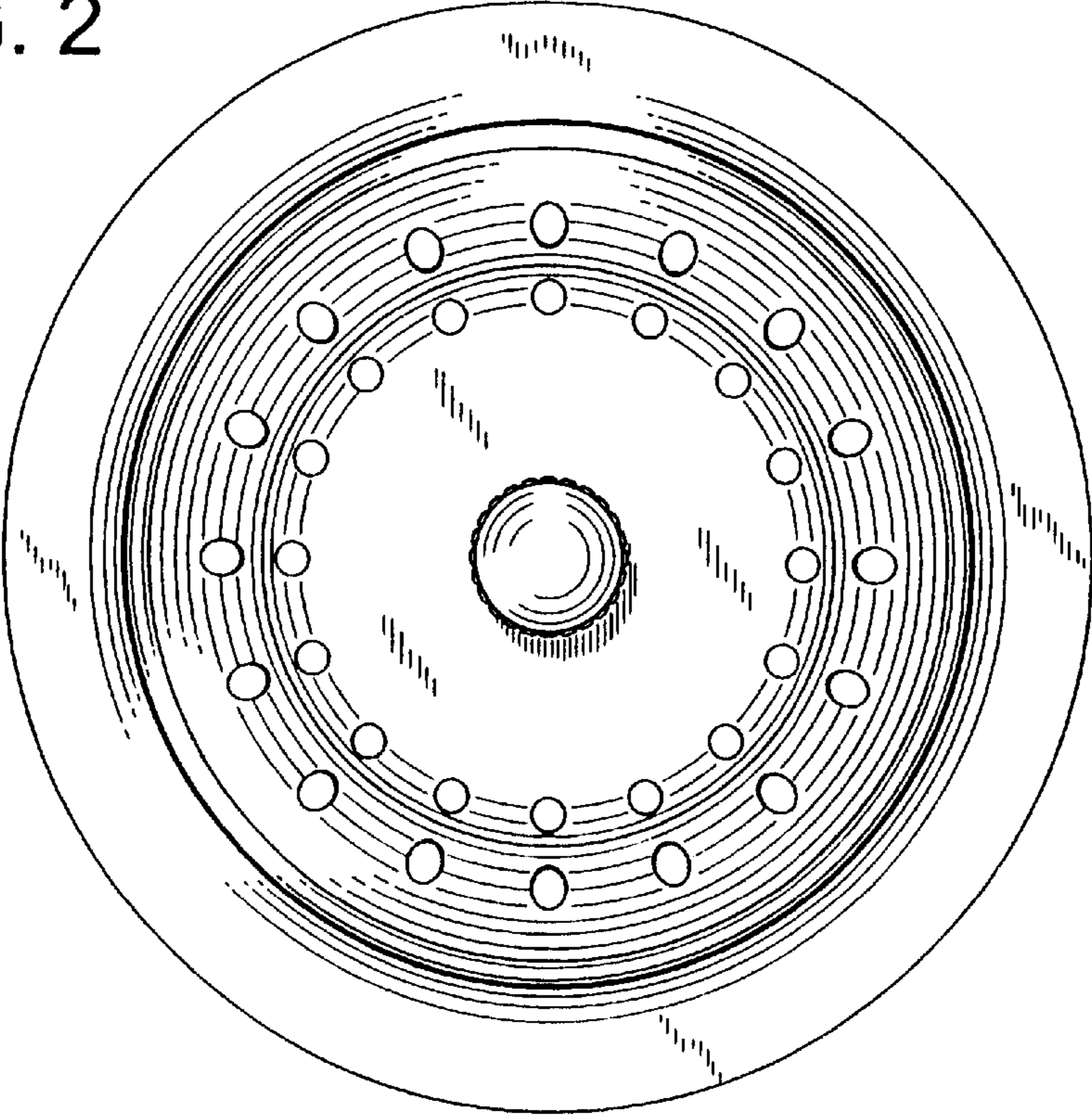


FIG. 3

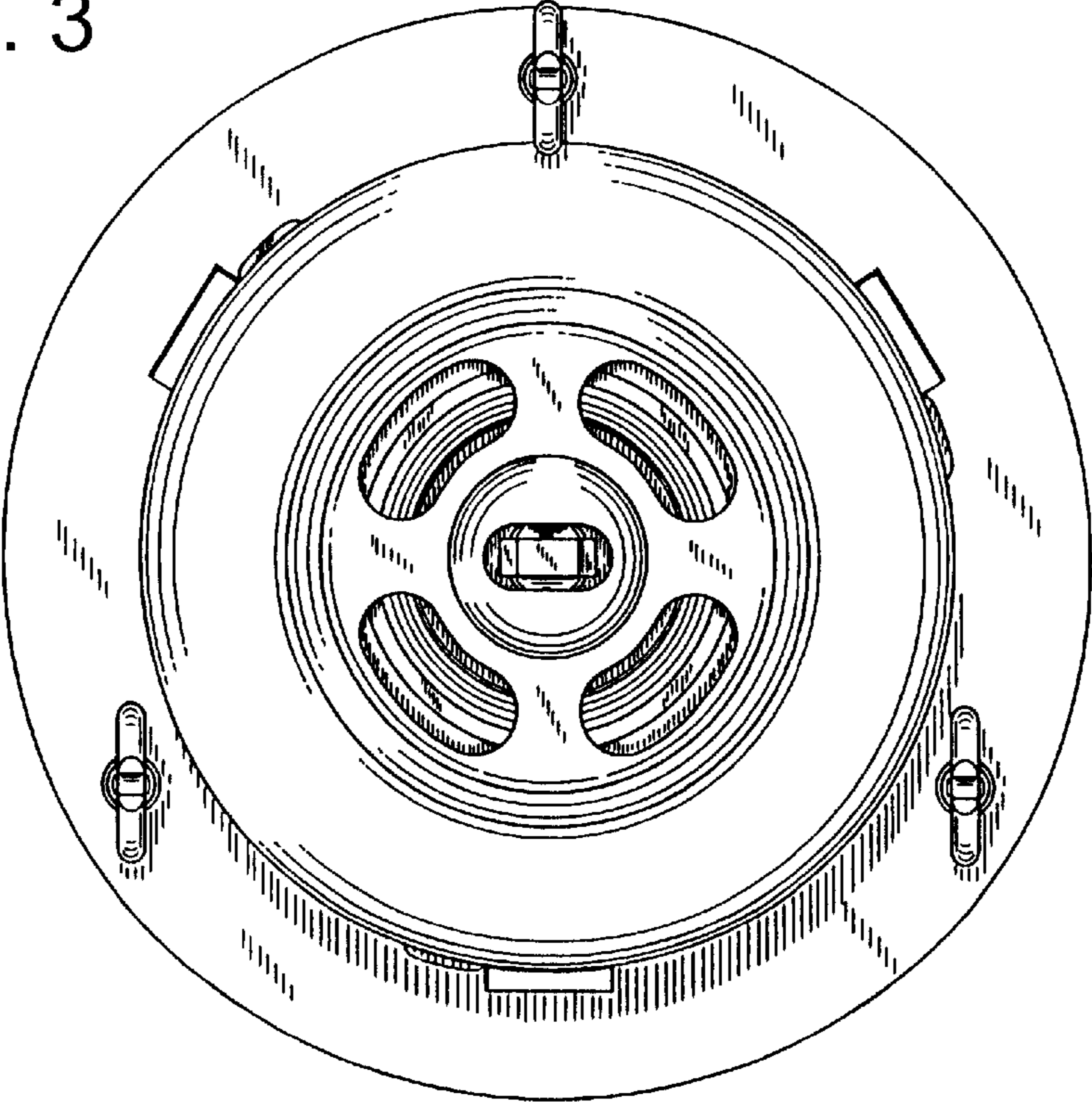


FIG. 4

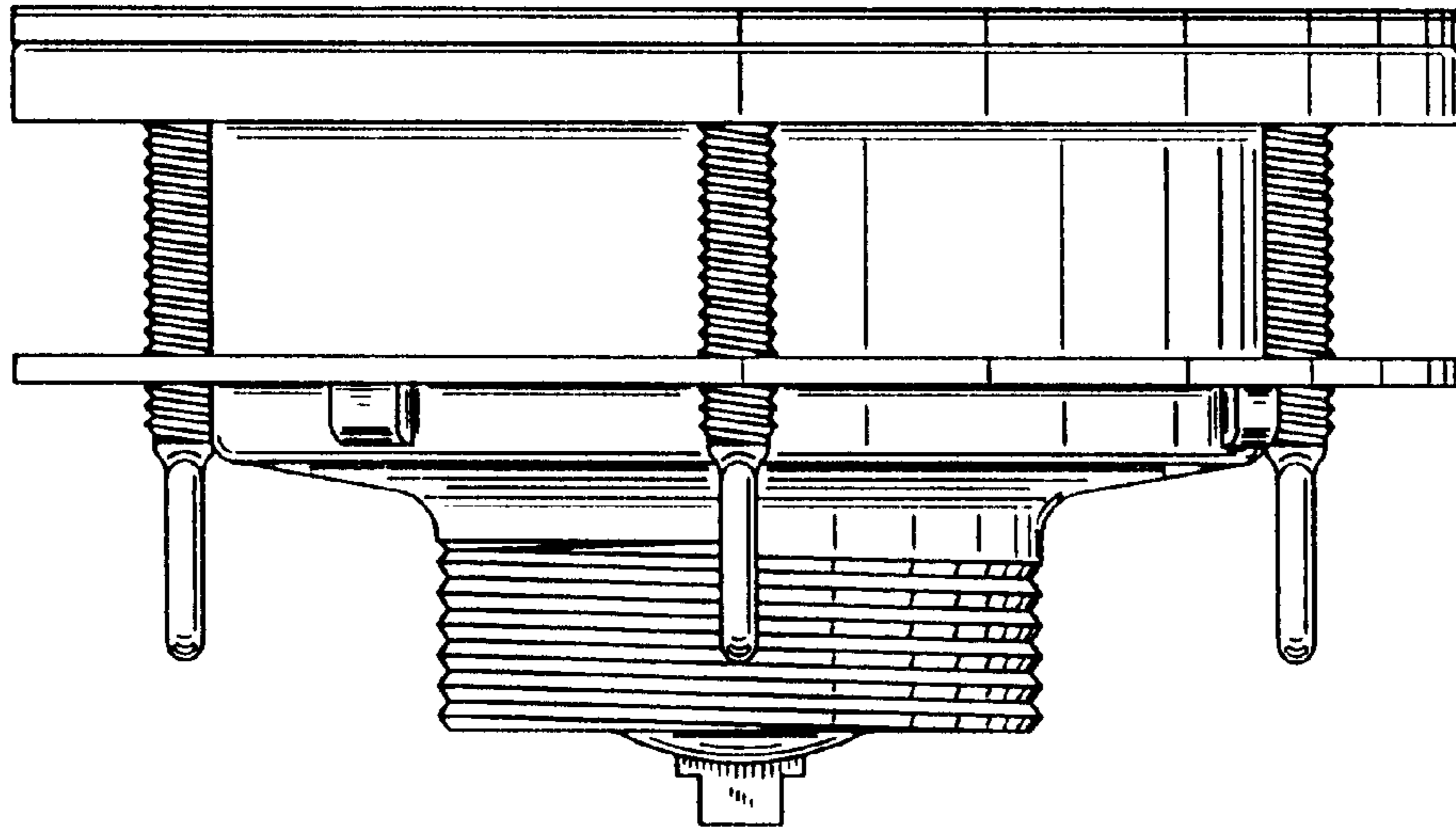


FIG. 5

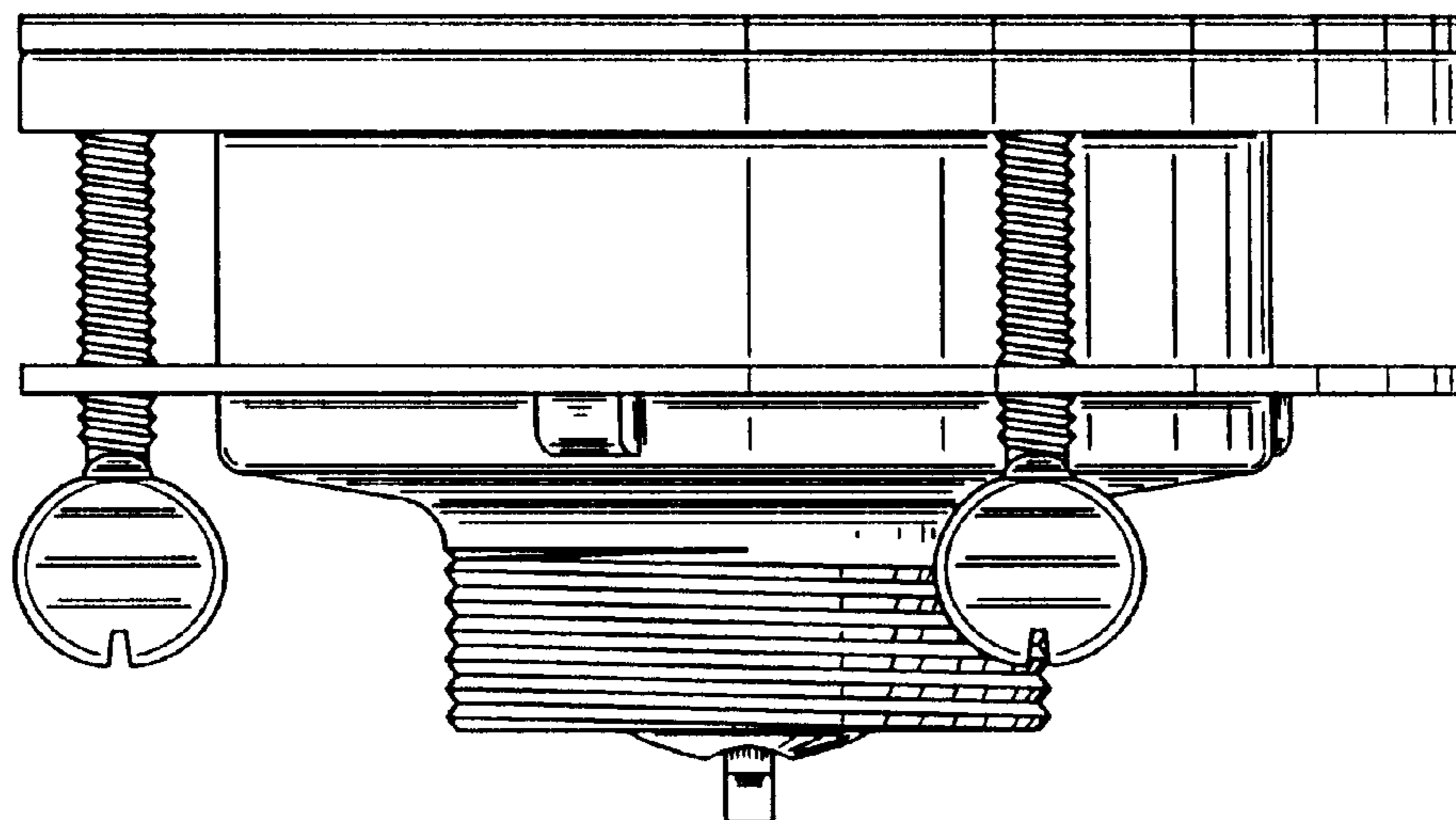


FIG. 6

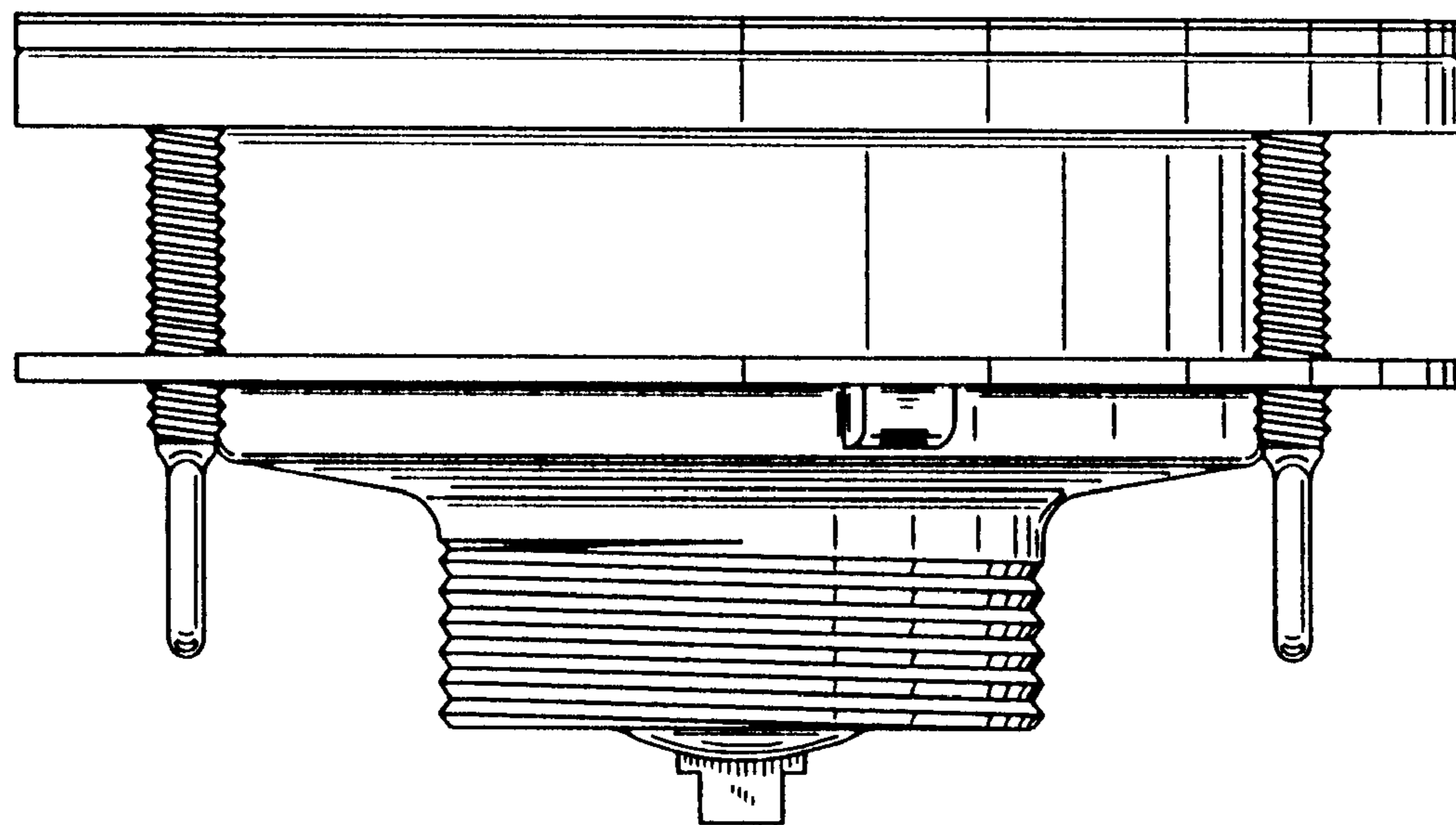


FIG. 7

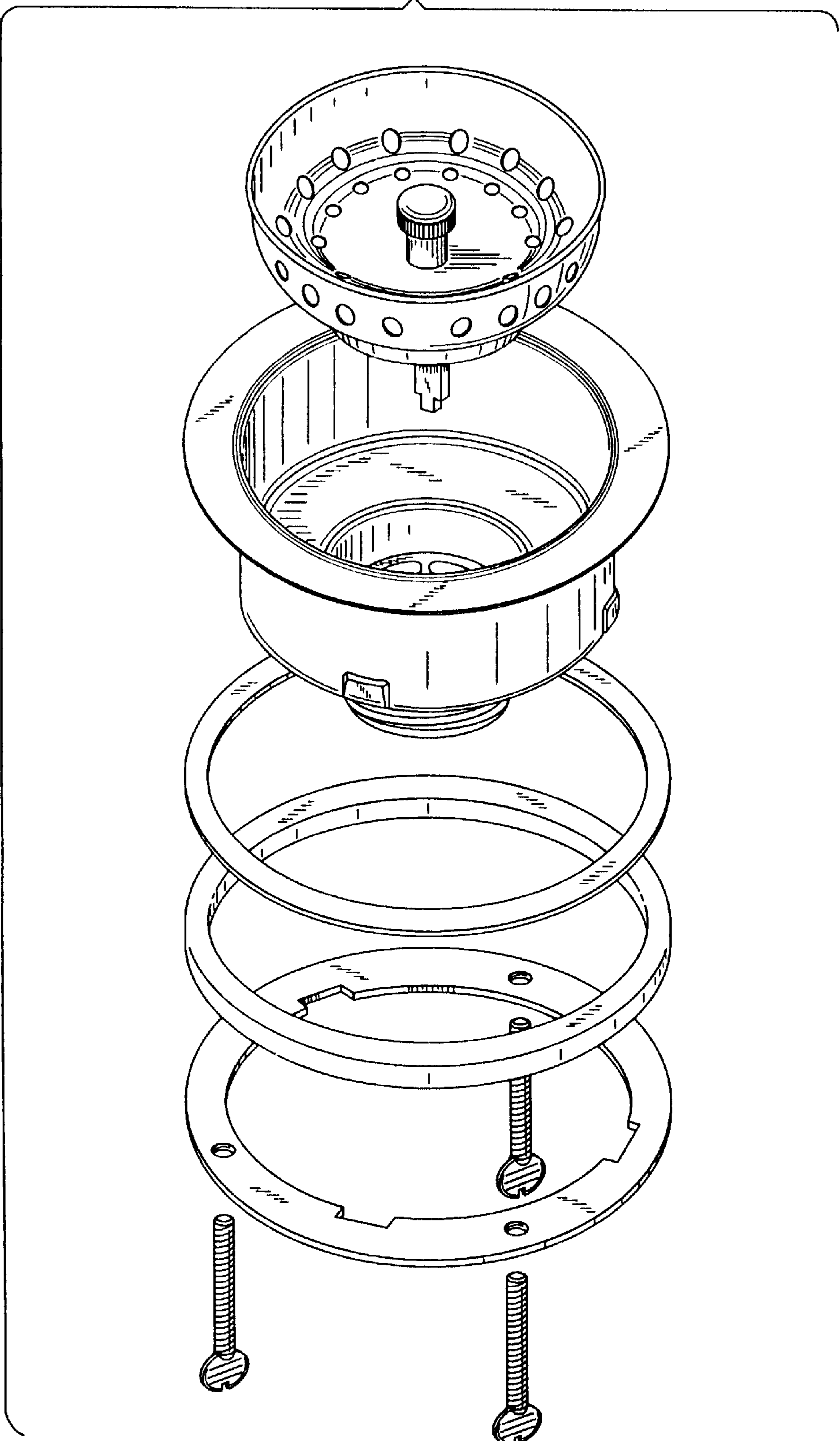


FIG. 8

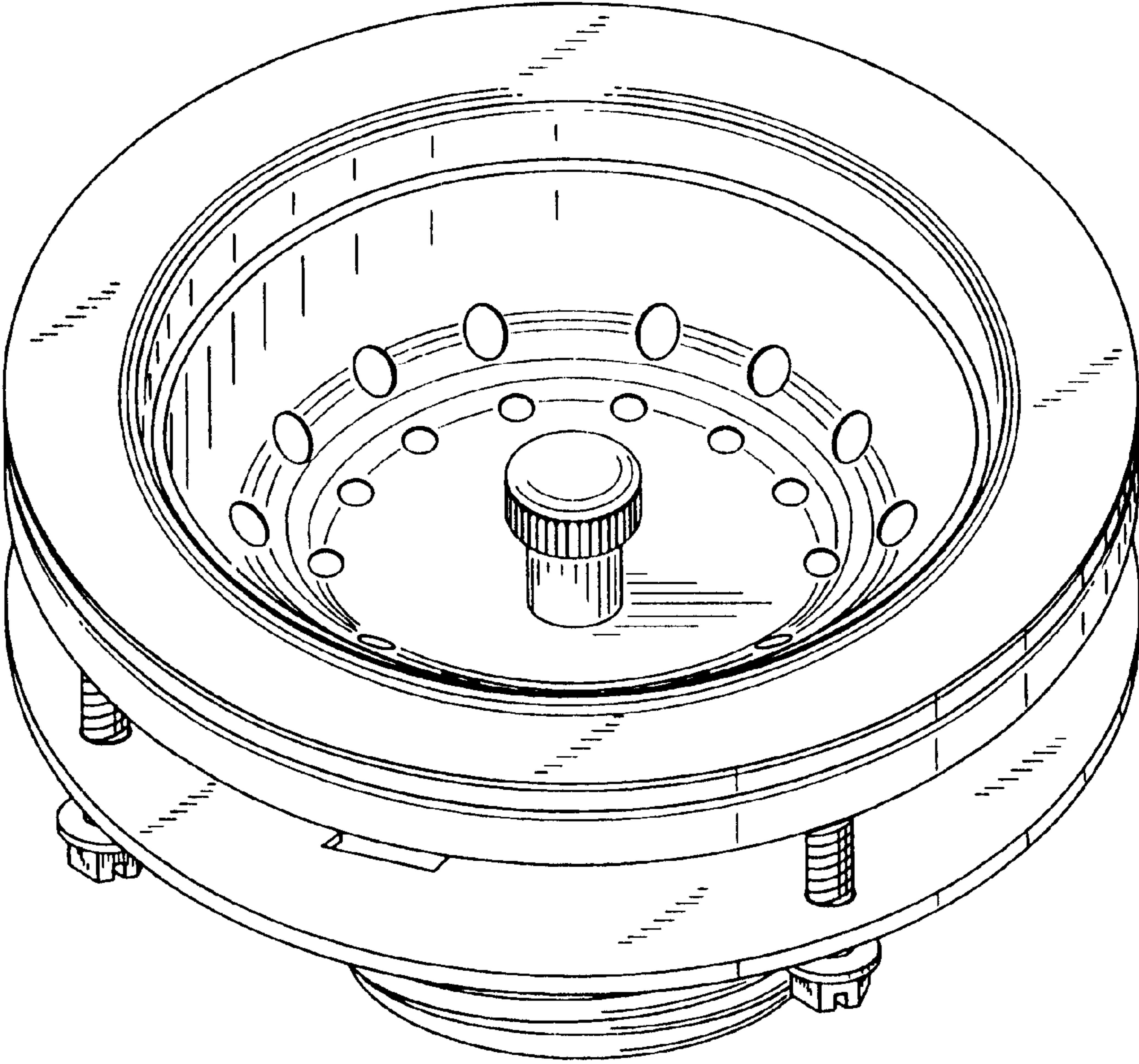


FIG. 9

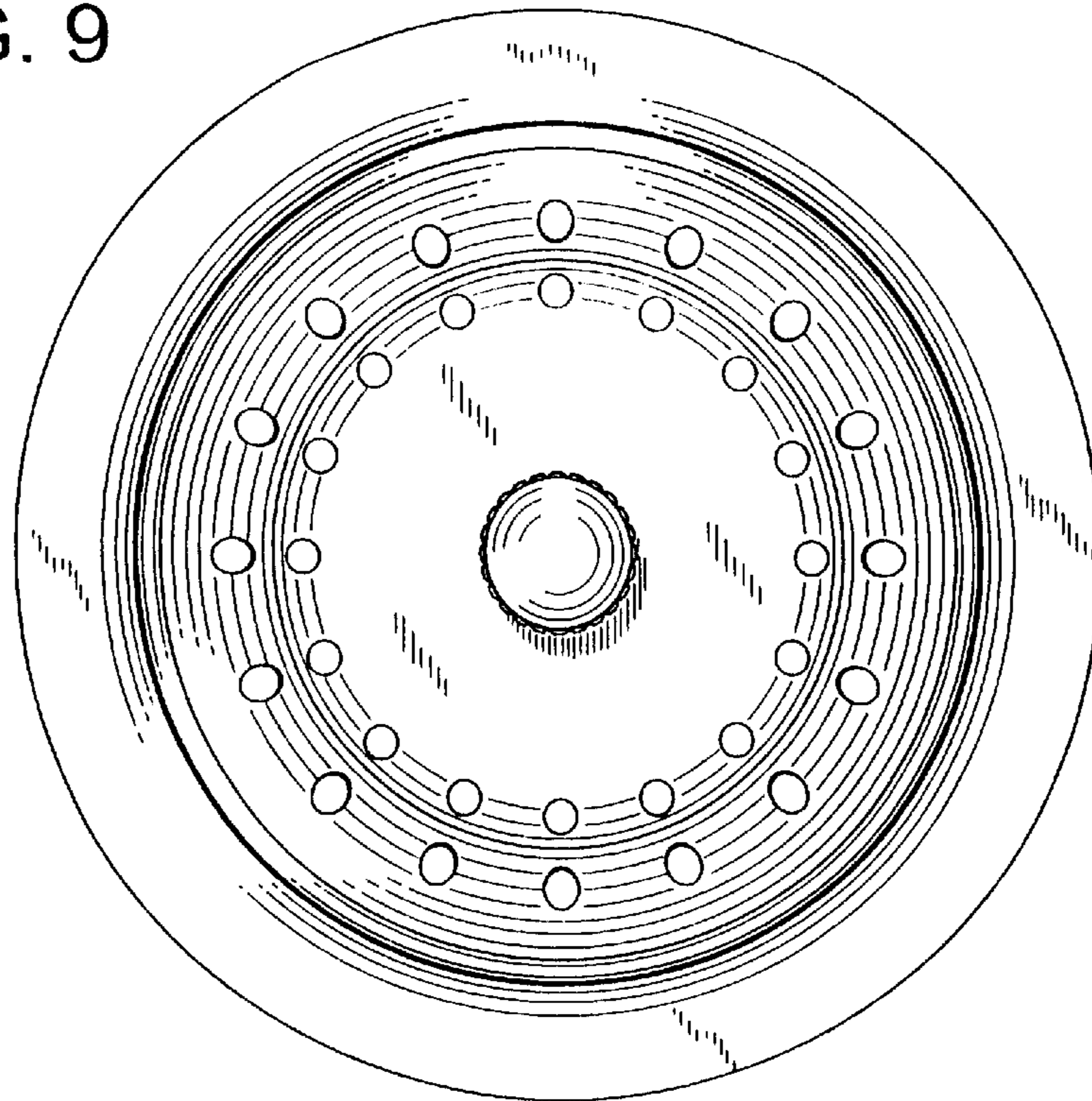


FIG. 10

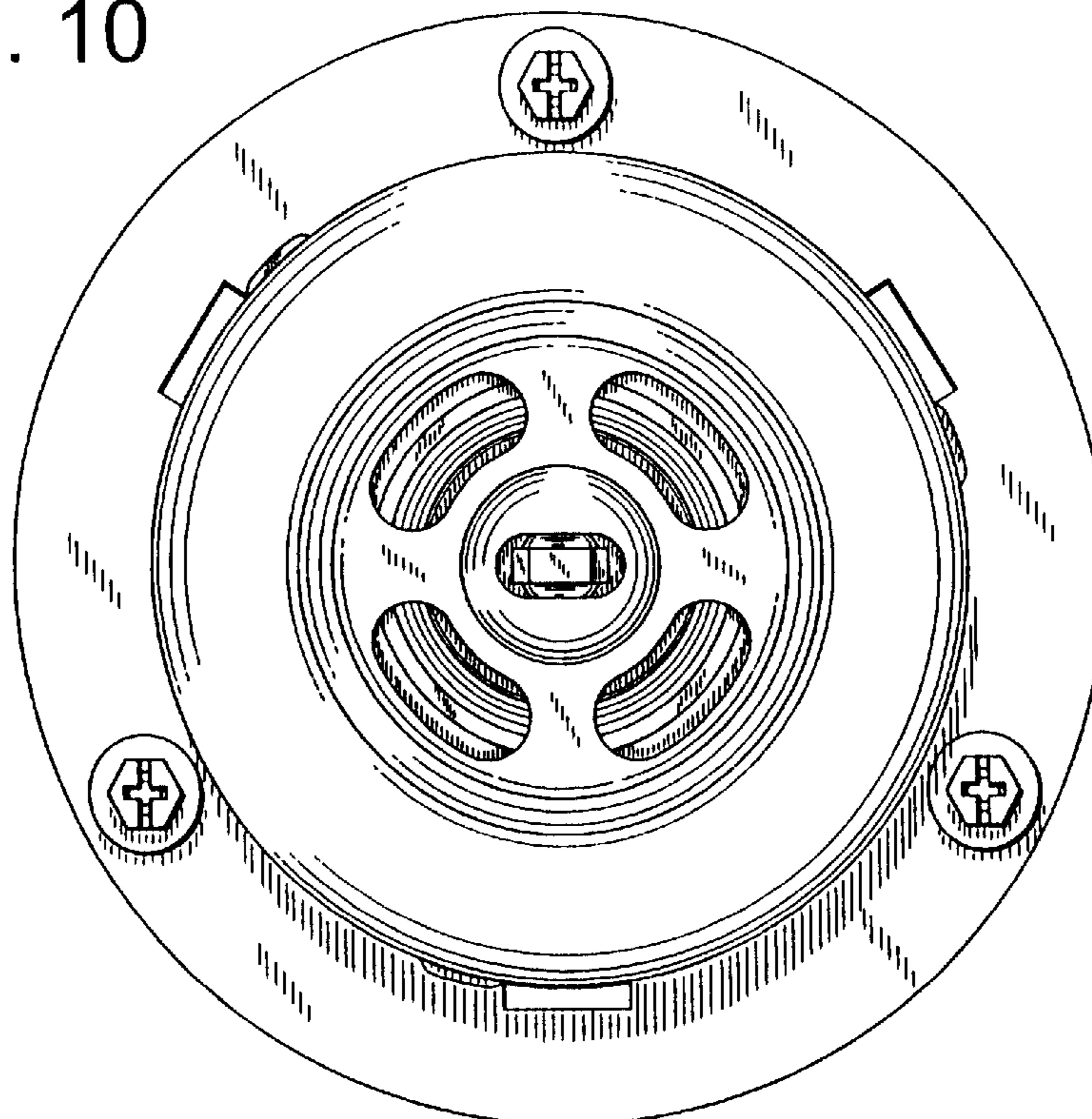


FIG. 11

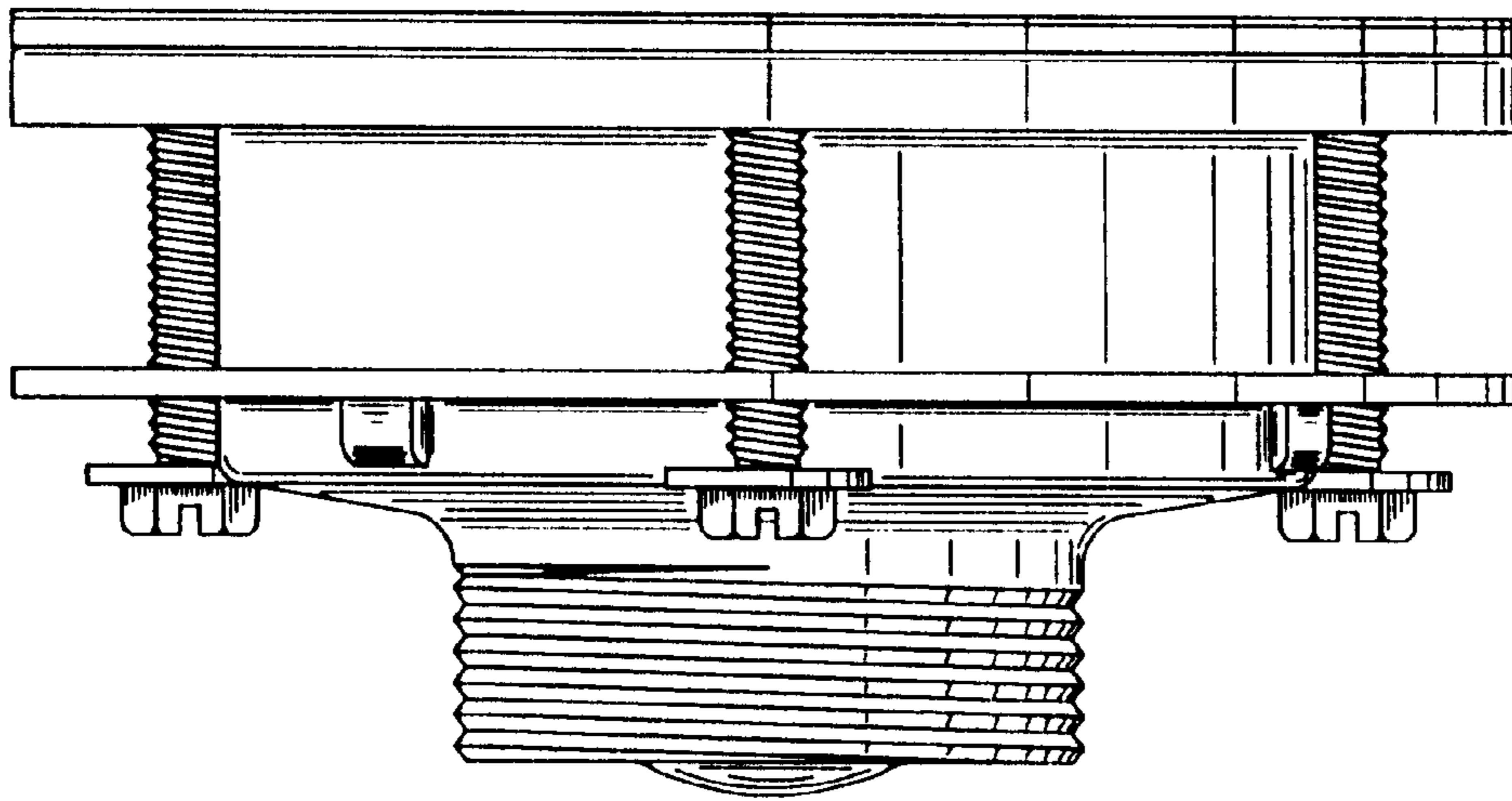


FIG. 12

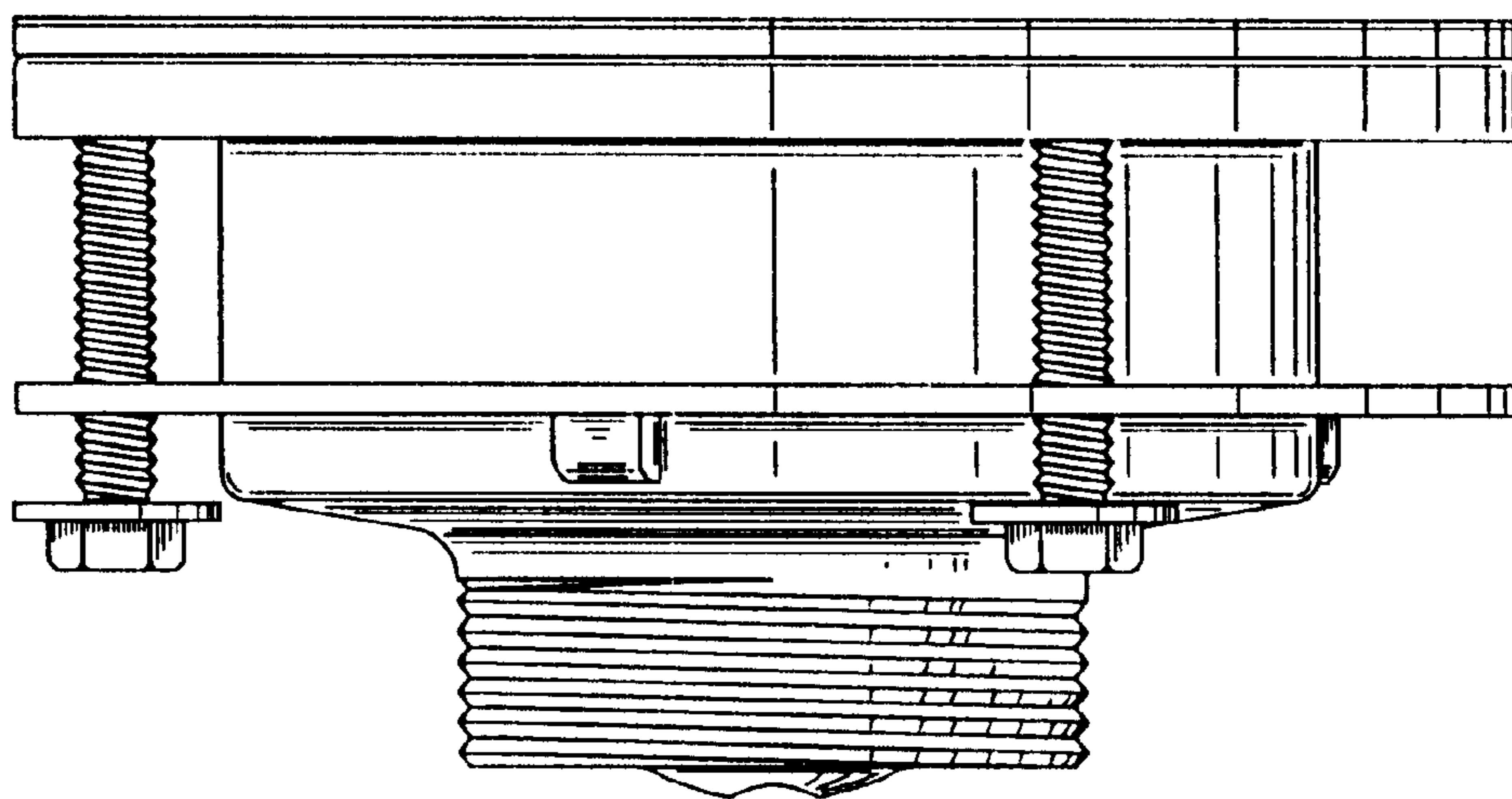


FIG. 13

