



US00D517663S

(12) **United States Design Patent**
Wolf

(10) **Patent No.:** **US D517,663 S**
(45) **Date of Patent:** **** Mar. 21, 2006**

(54) **SPIGOT FOR A SANITARY FIXTURE**

(75) Inventor: **Theo Wolf**, Senden (DE)

(73) Assignee: **Grohe Water Technology AG & Co. KG**, Hemer (DE)

(**) Term: **14 Years**

(21) Appl. No.: **29/223,615**

(22) Filed: **Feb. 8, 2005**

(51) **LOC (8) Cl.** **23-01**

(52) **U.S. Cl.** **D23/255; D23/257**

(58) **Field of Classification Search** **D23/238-257;**
4/675-678; 137/801

See application file for complete search history.

(56) **References Cited**

U.S. PATENT DOCUMENTS

D278,271 S	*	4/1985	Niemann	D23/255
D279,598 S	*	7/1985	Rademacher	D23/255
D348,510 S	*	7/1994	Gottwald	D23/257
D379,849 S	*	6/1997	Hill et al.	D23/255
D407,801 S	*	4/1999	Kolada	D23/257

D421,642 S * 3/2000 Ko D23/255

D461,543 S * 8/2002 Mullenmeister D23/257

D465,560 S * 11/2002 Singtoroj D23/255

D469,518 S * 1/2003 Bates et al. D23/257

D488,540 S * 4/2004 Ouyoung D23/255

* cited by examiner

Primary Examiner—Louis S. Zarfaz

Assistant Examiner—Gregory Andoll

(74) *Attorney, Agent, or Firm*—Herbert Dubno

(57) **CLAIM**

The ornamental design for a spigot for a sanitary fixture, as shown and described.

DESCRIPTION

FIG. 1 is a top, front, left-side perspective view of a spigot for a sanitary fixture showing my new design;

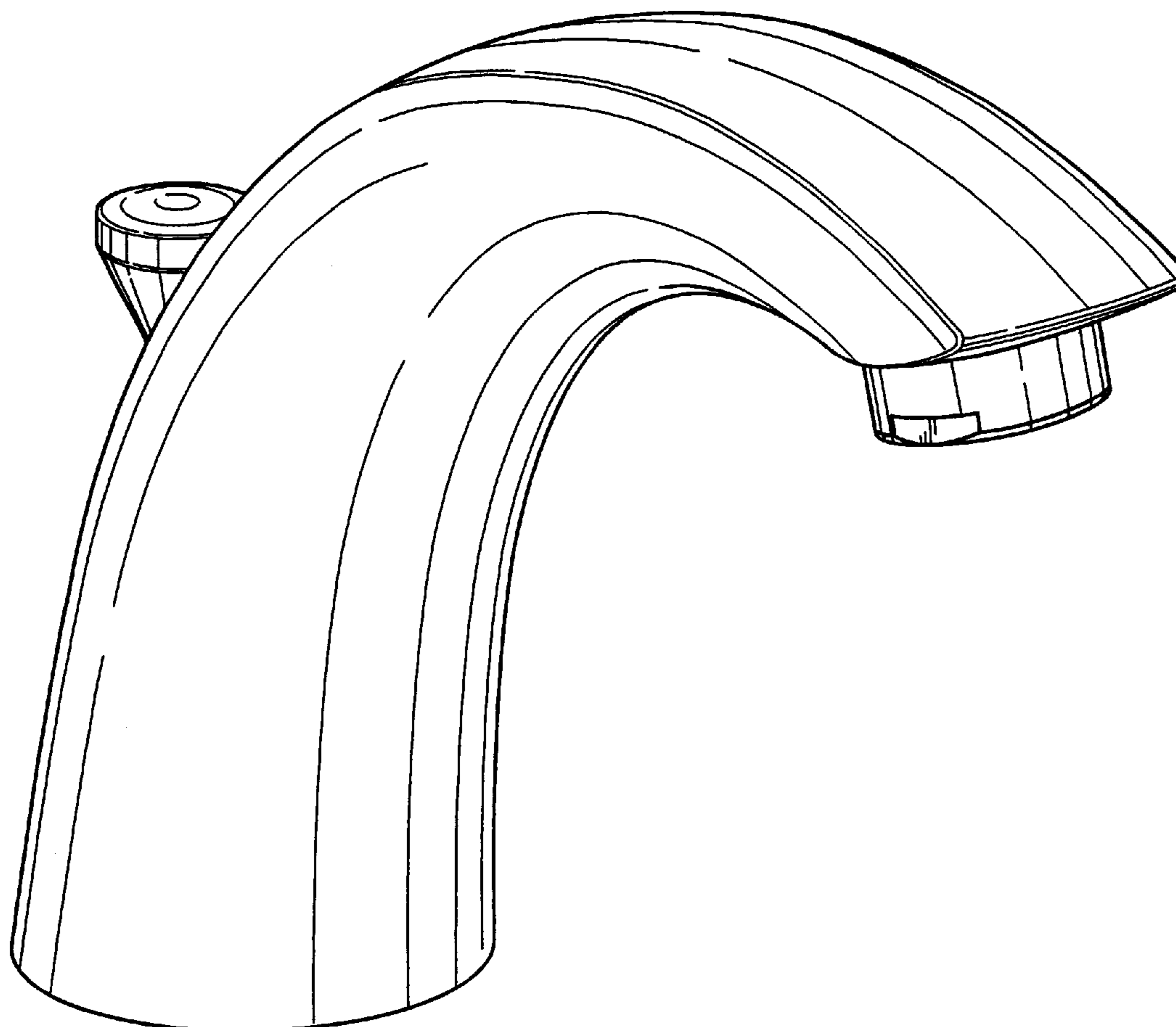
FIG. 2 is a top plan view thereof;

FIG. 3 is a left side elevational view thereof, the right side elevational view being mirror symmetrical thereto;

FIG. 4 is a front elevational view thereof; and,

FIG. 5 is a rear elevational view thereof.

1 Claim, 3 Drawing Sheets



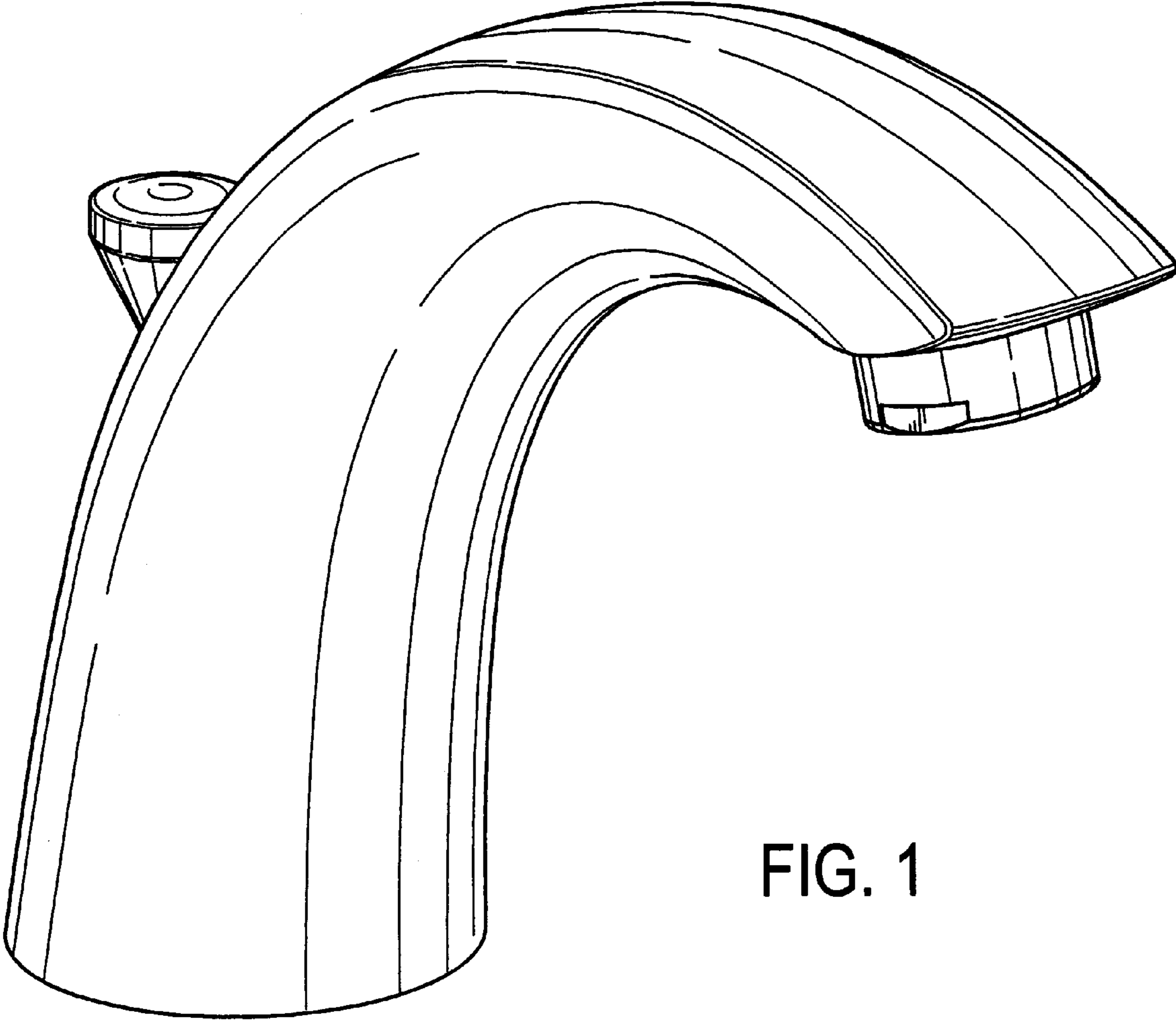


FIG. 1

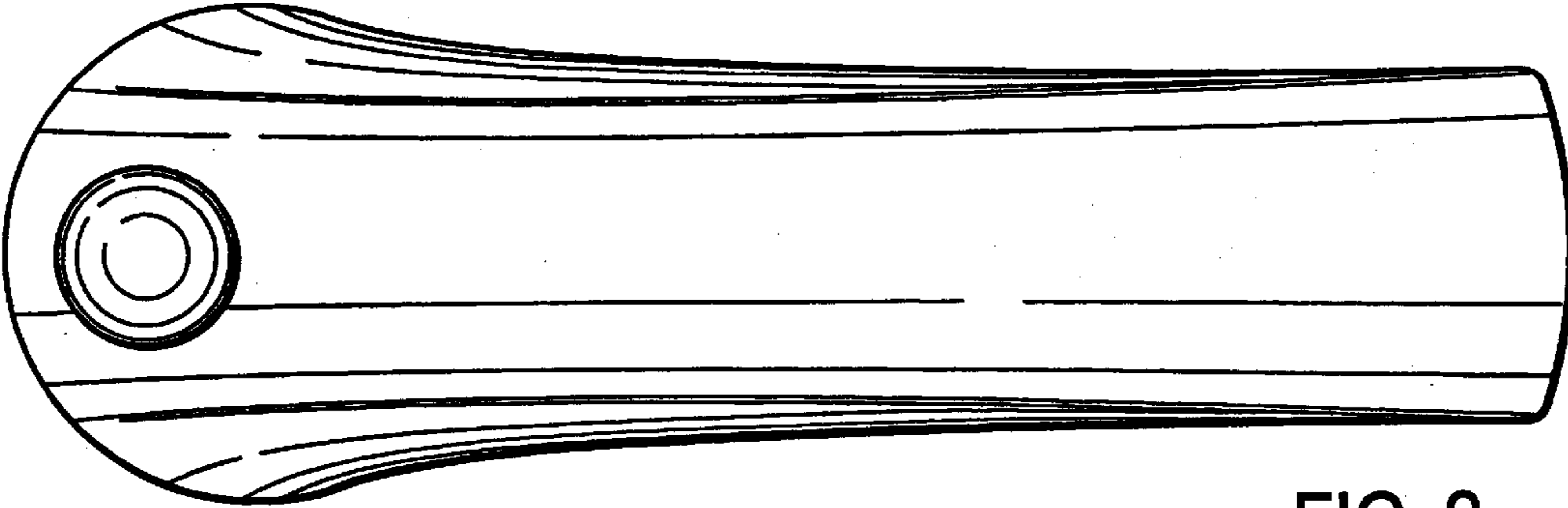


FIG. 2

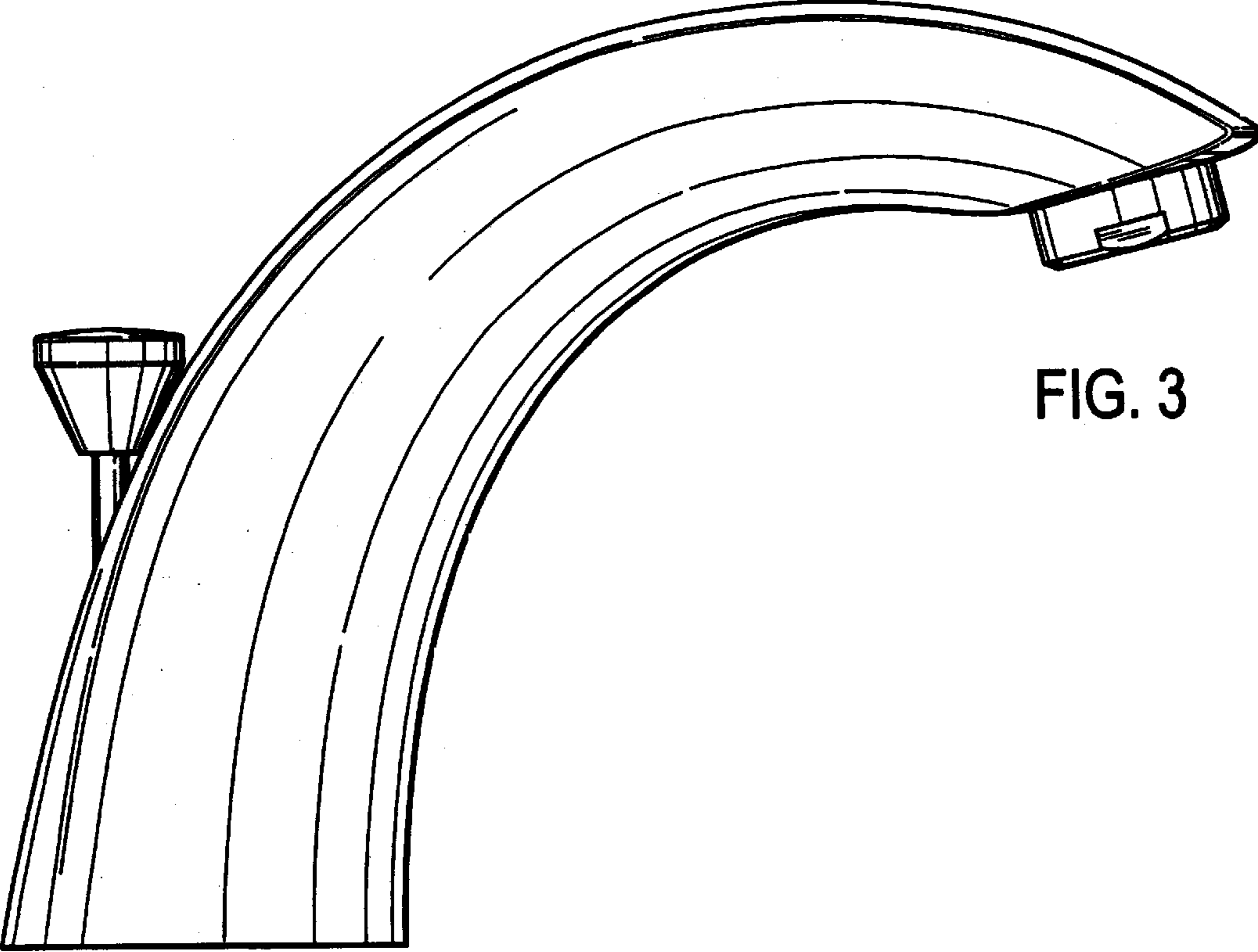


FIG. 3

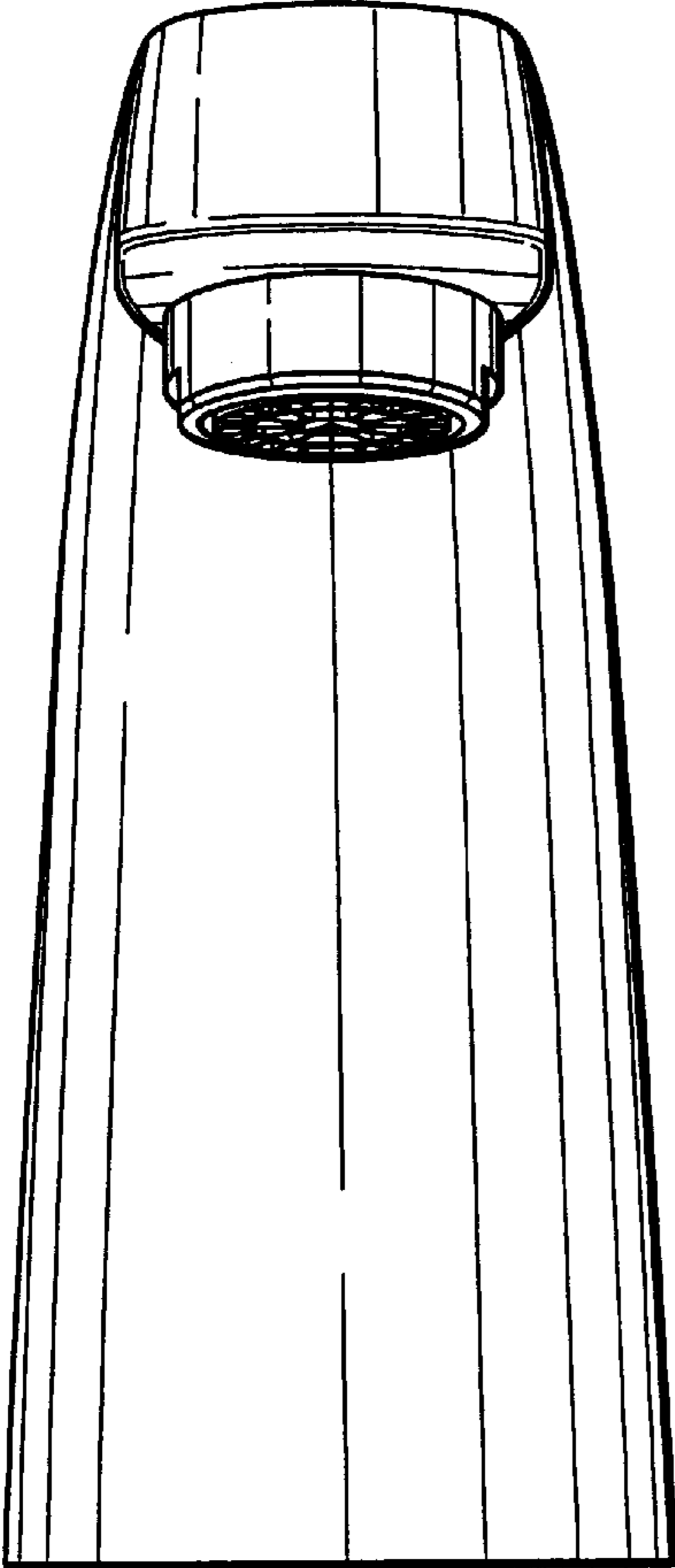


FIG. 4

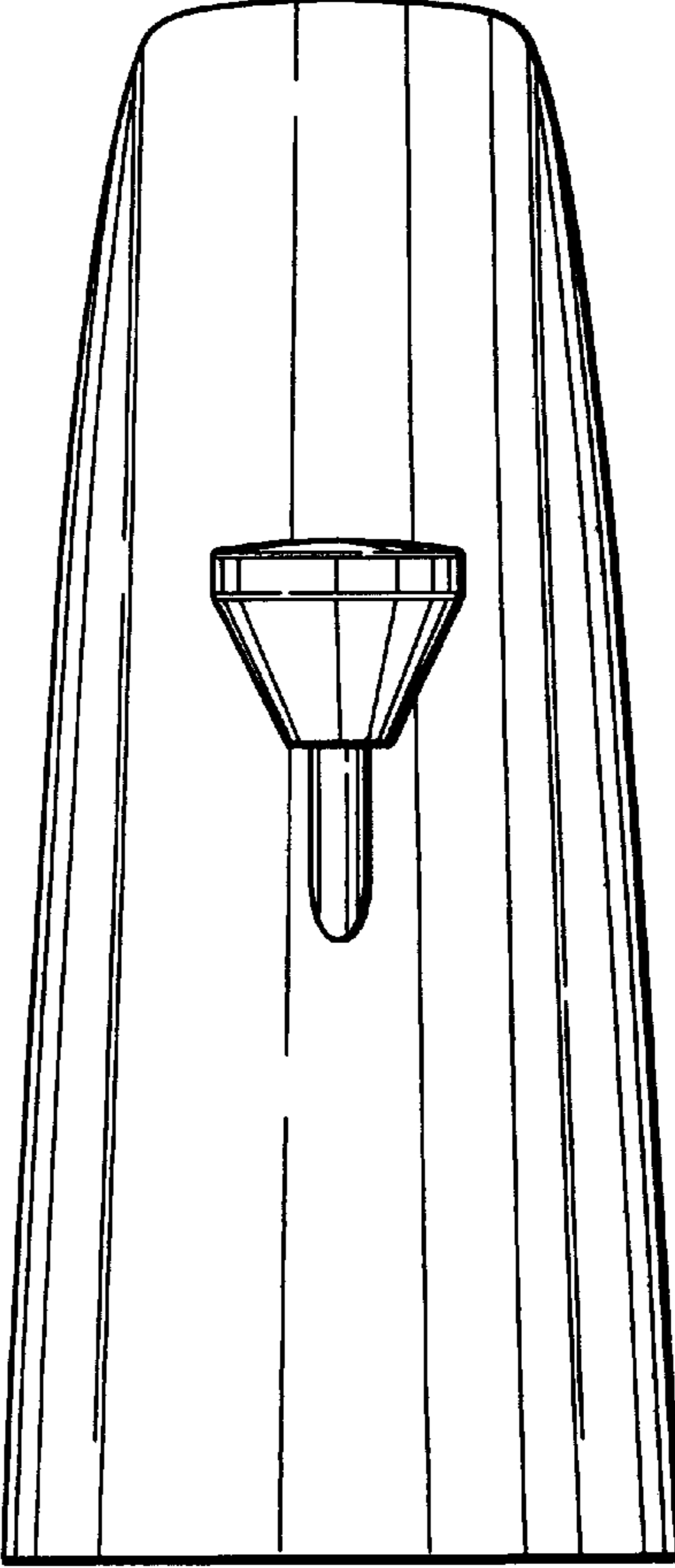


FIG. 5