



US00D517661S

(12) **United States Design Patent**
Wolf

(10) **Patent No.:** **US D517,661 S**

(45) **Date of Patent:** **** Mar. 21, 2006**

(54) **LEVER HANDLE FOR A SANITARY
FIXTURE WATER VALVE**

D290,496 S * 6/1987 Ryan D23/252
D322,659 S * 12/1991 Reid et al. D23/250
D468,406 S * 1/2003 Sacks et al. D23/252

(75) Inventor: **Theo Wolf**, Senden (DE)

* cited by examiner

(73) Assignee: **Grohe Water Technology AG & Co.
KG**, Hemer (DE)

Primary Examiner—Louis S. Zarfaz

Assistant Examiner—Gregory Andoll

(**) Term: **14 Years**

(74) *Attorney, Agent, or Firm*—Herbert Dubno

(21) Appl. No.: **29/223,620**

(57) **CLAIM**

(22) Filed: **Feb. 8, 2005**

The ornamental design for a lever handle for a sanitary fixture water valve, as shown and described.

(51) **LOC (8) Cl.** **23-01**

(52) **U.S. Cl.** **D23/252**

(58) **Field of Classification Search** D23/238–257;
D8/250–257, 300–322, DIG. 3; 16/110.1;
4/675–678; 137/801

See application file for complete search history.

DESCRIPTION

FIG. 1 is a top, rear, left-side perspective view of a lever handle for a sanitary fixture water valve showing my new design;

FIG. 2 is a front elevational view thereof;

FIG. 3 is a rear elevational view thereof;

FIG. 4 is a top plan view thereof; and,

FIG. 5 is a left side elevational view thereof, the right side elevational view being mirror symmetrical thereto.

(56) **References Cited**

U.S. PATENT DOCUMENTS

D175,819 S * 10/1955 Young D23/252

D175,863 S * 10/1955 Soffer D9/447

1 Claim, 2 Drawing Sheets

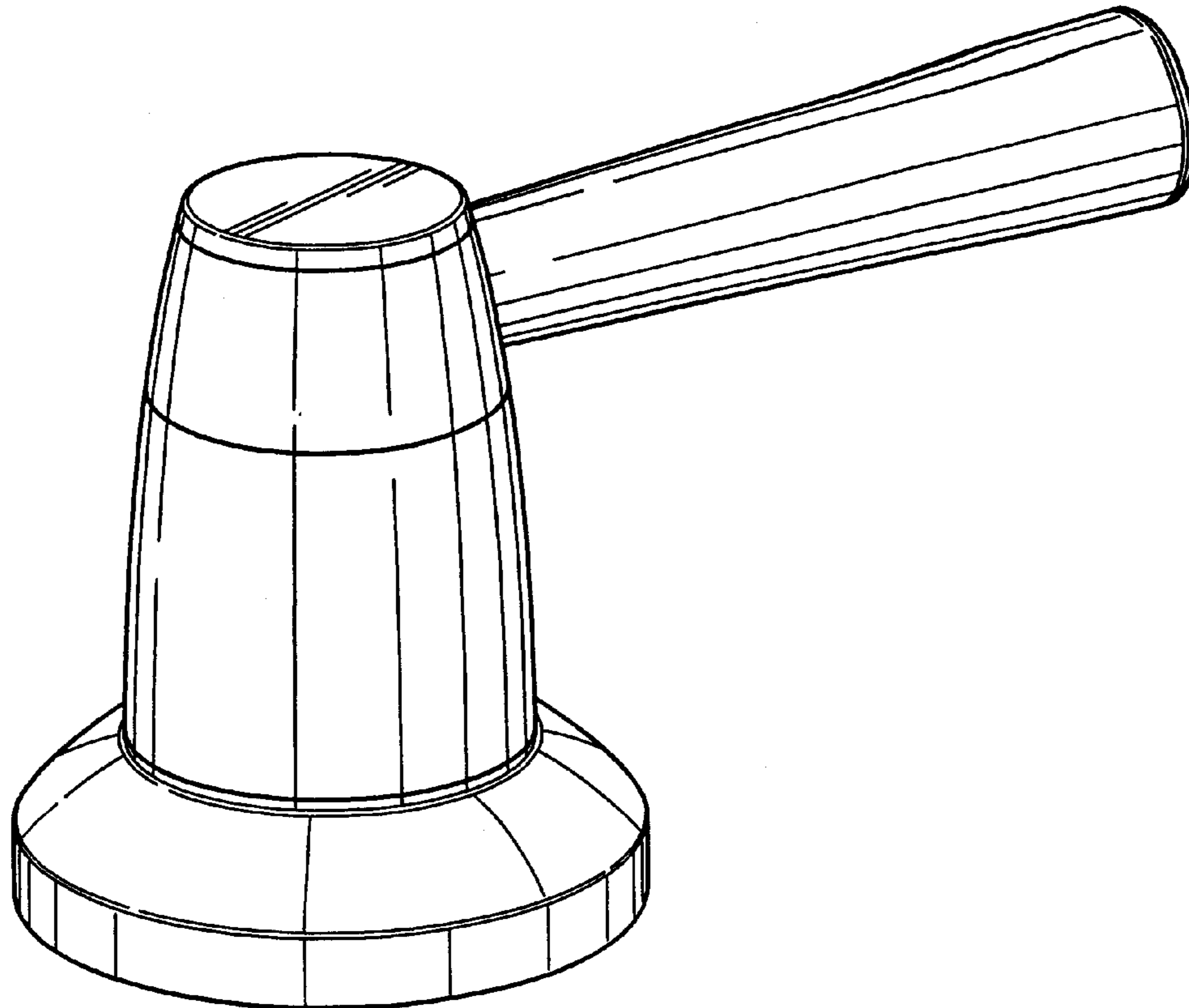


FIG. 1

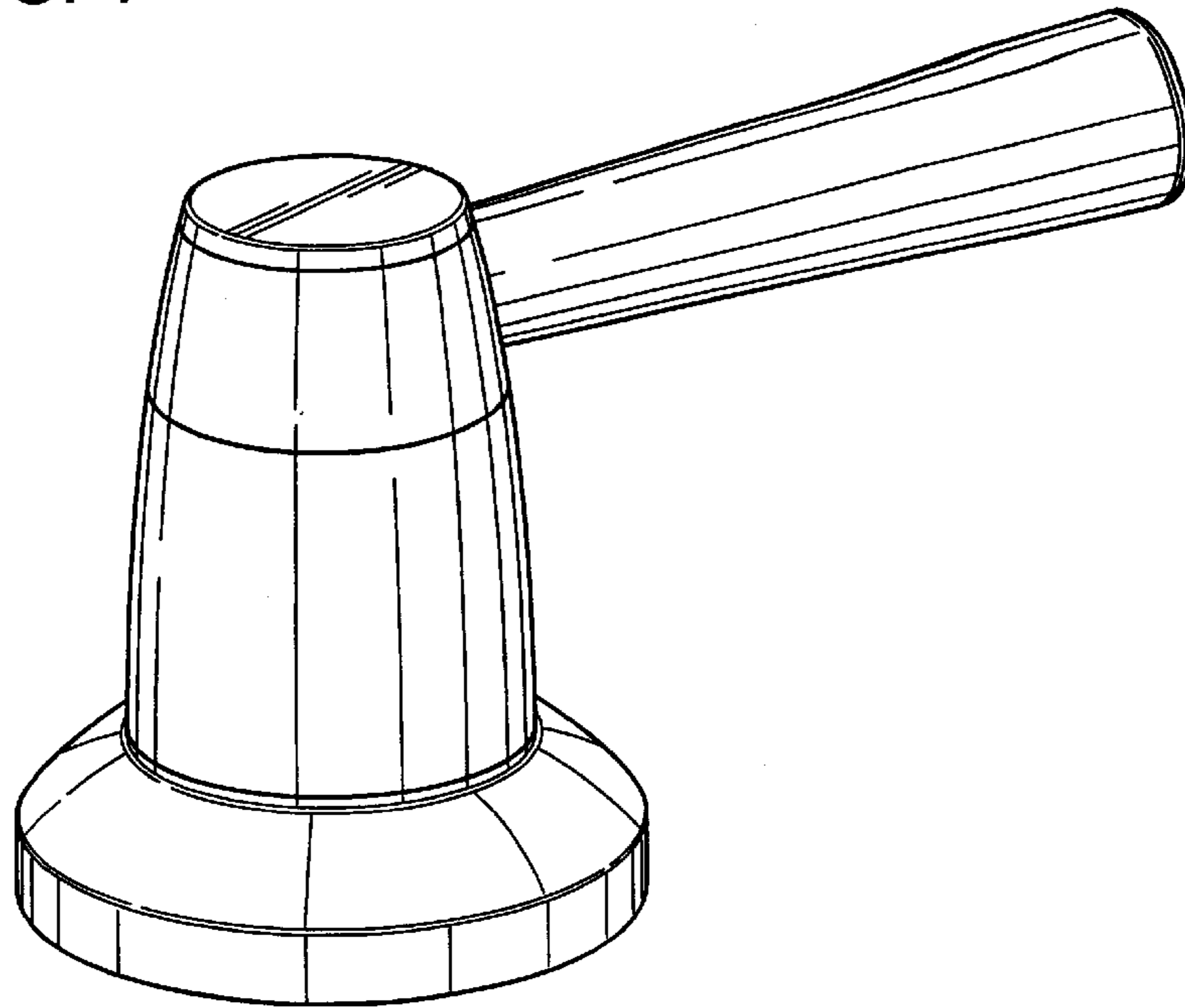


FIG. 2

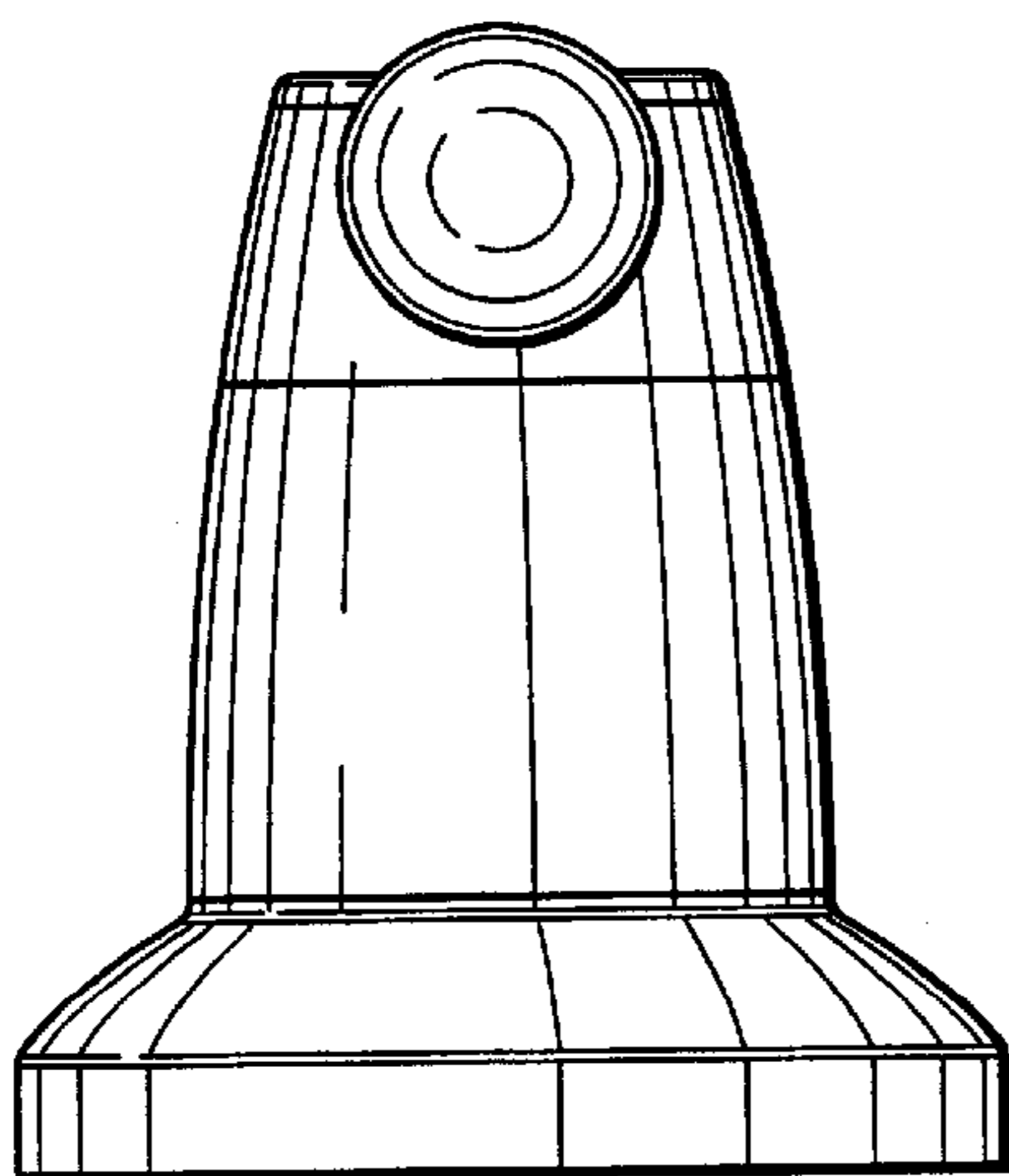
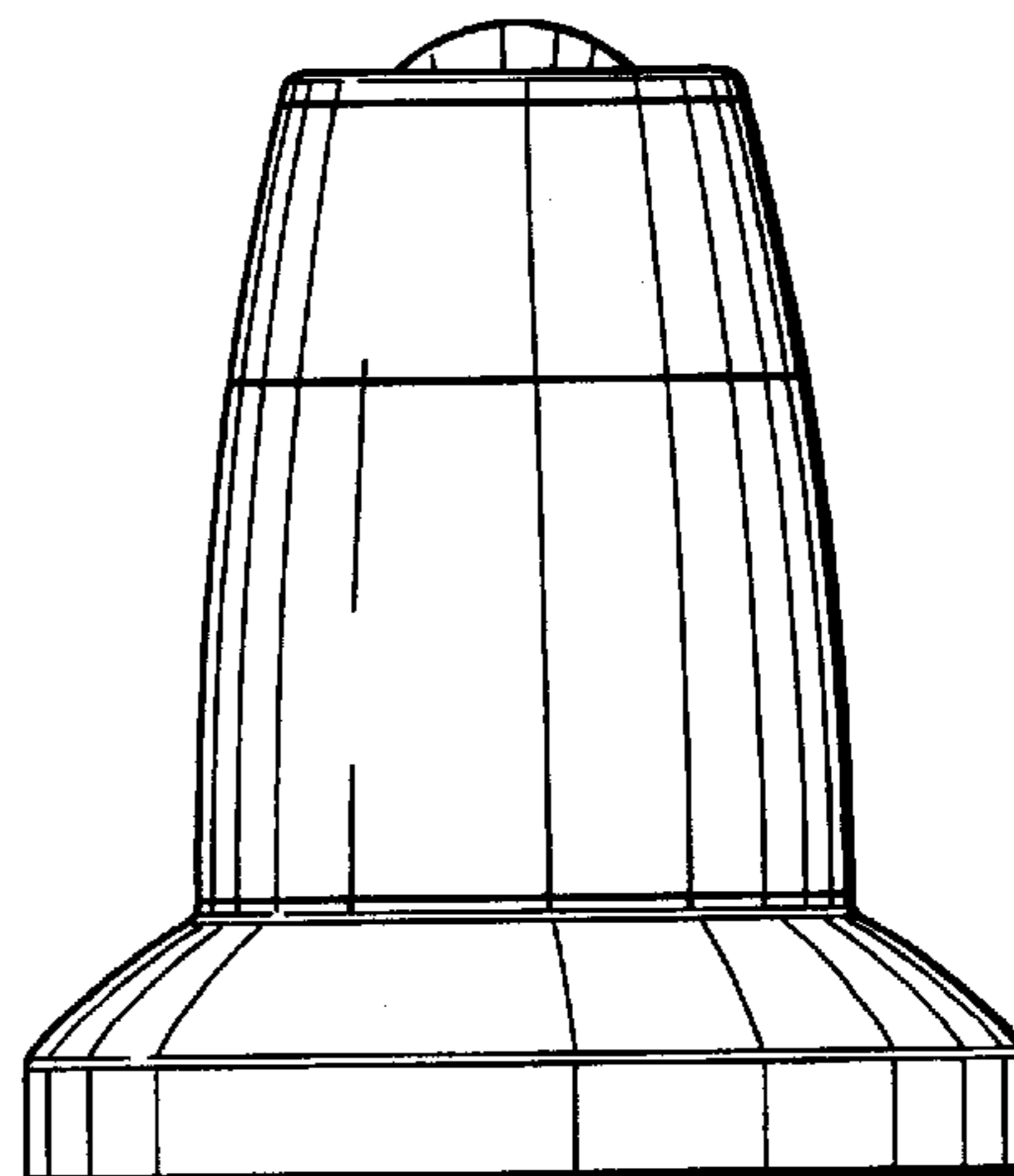


FIG. 3



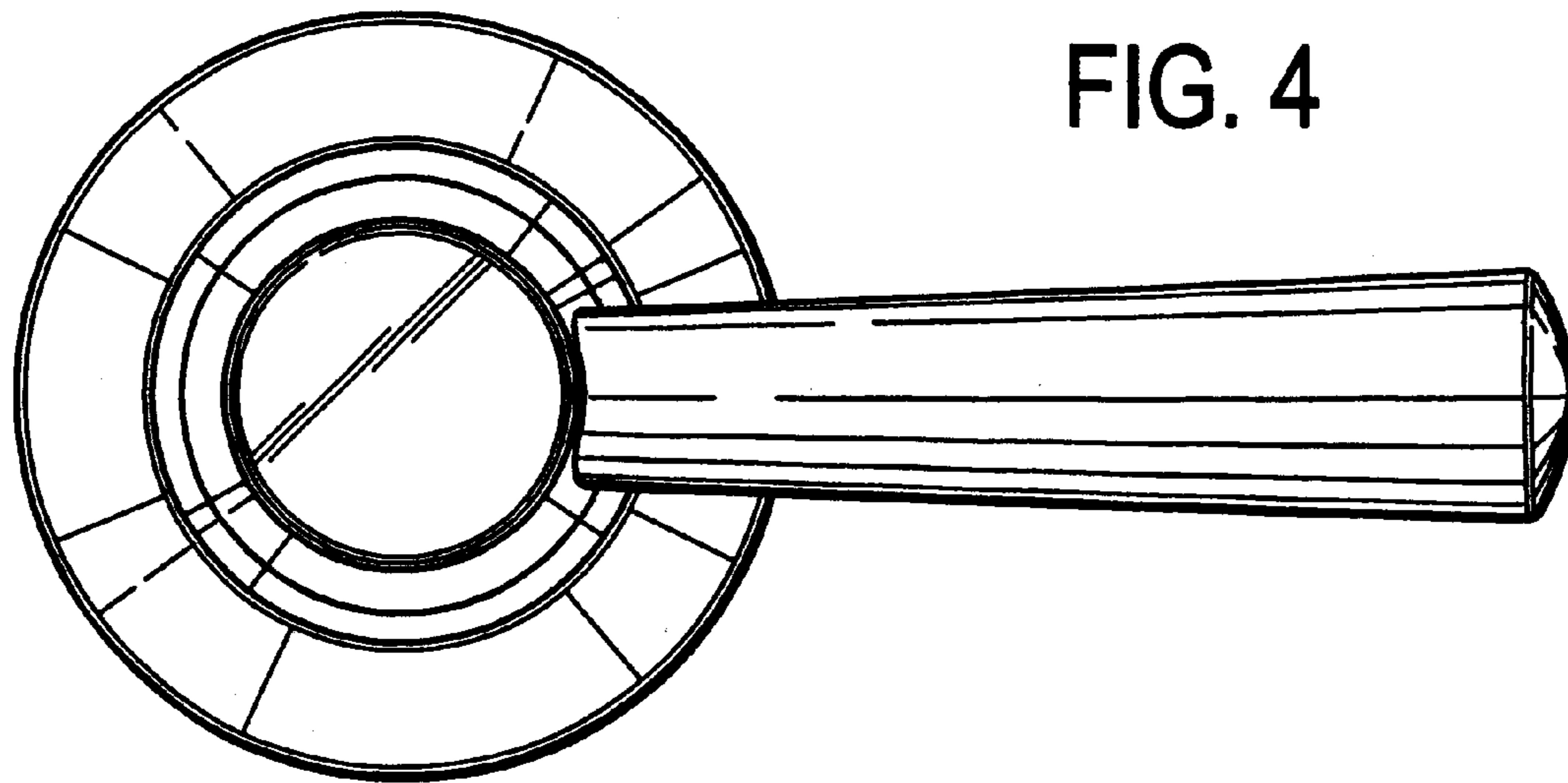


FIG. 4

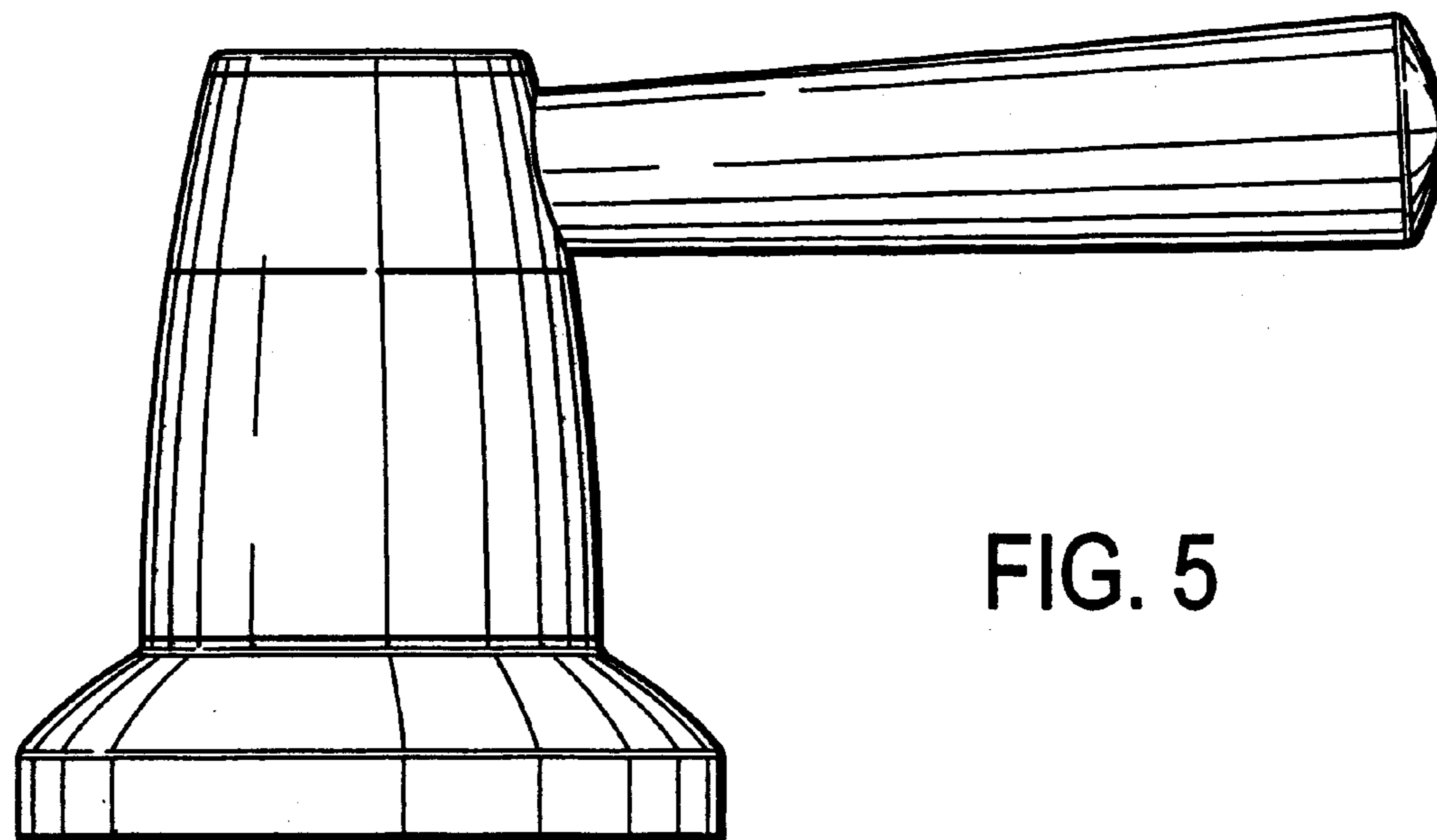


FIG. 5