



US00D517658S

(12) **United States Design Patent**
Chung

(10) **Patent No.:** **US D517,658 S**
(45) **Date of Patent:** **** Mar. 21, 2006**

(54) **WALL FAUCET**

(76) Inventor: **Chiu-Chih Chung**, No. 31, Lane 275,
Sec. 4, Lu Ho Rd. Lu Kan Chen,
Chunghua Hsien (TW)

(**) Term: **14 Years**

(21) Appl. No.: **29/230,730**

(22) Filed: **May 26, 2005**

(51) **LOC (8) Cl.** **23-01**

(52) **U.S. Cl.** **D23/249**

(58) **Field of Classification Search** D23/238-257,
D23/259, 262; 4/675; 137/801, 615
See application file for complete search history.

(56) **References Cited**

U.S. PATENT DOCUMENTS

D283,154 S	*	3/1986	McKinnon	D23/259
D286,005 S	*	10/1986	Rutter	D23/259
D351,219 S	*	10/1994	Saadi et al.	D23/249
D432,632 S	*	10/2000	Spangler	D23/249
D462,112 S	*	8/2002	Kozu et al.	D23/262
D465,012 S	*	10/2002	Tauzer	D23/259
D477,385 S	*	7/2003	Hampton	D23/249

* cited by examiner

Primary Examiner—Louis S. Zarfaz

Assistant Examiner—Gregory Andoll

(74) *Attorney, Agent, or Firm*—Troxell Law Office, PLLC

(57) **CLAIM**

The ornamental design for a wall faucet, as shown and described.

DESCRIPTION

FIG. 1 is a front elevation view of a wall faucet.

FIG. 2 is a rear elevation view thereof.

FIG. 3 is a left side view thereof.

FIG. 4 is a right side view thereof.

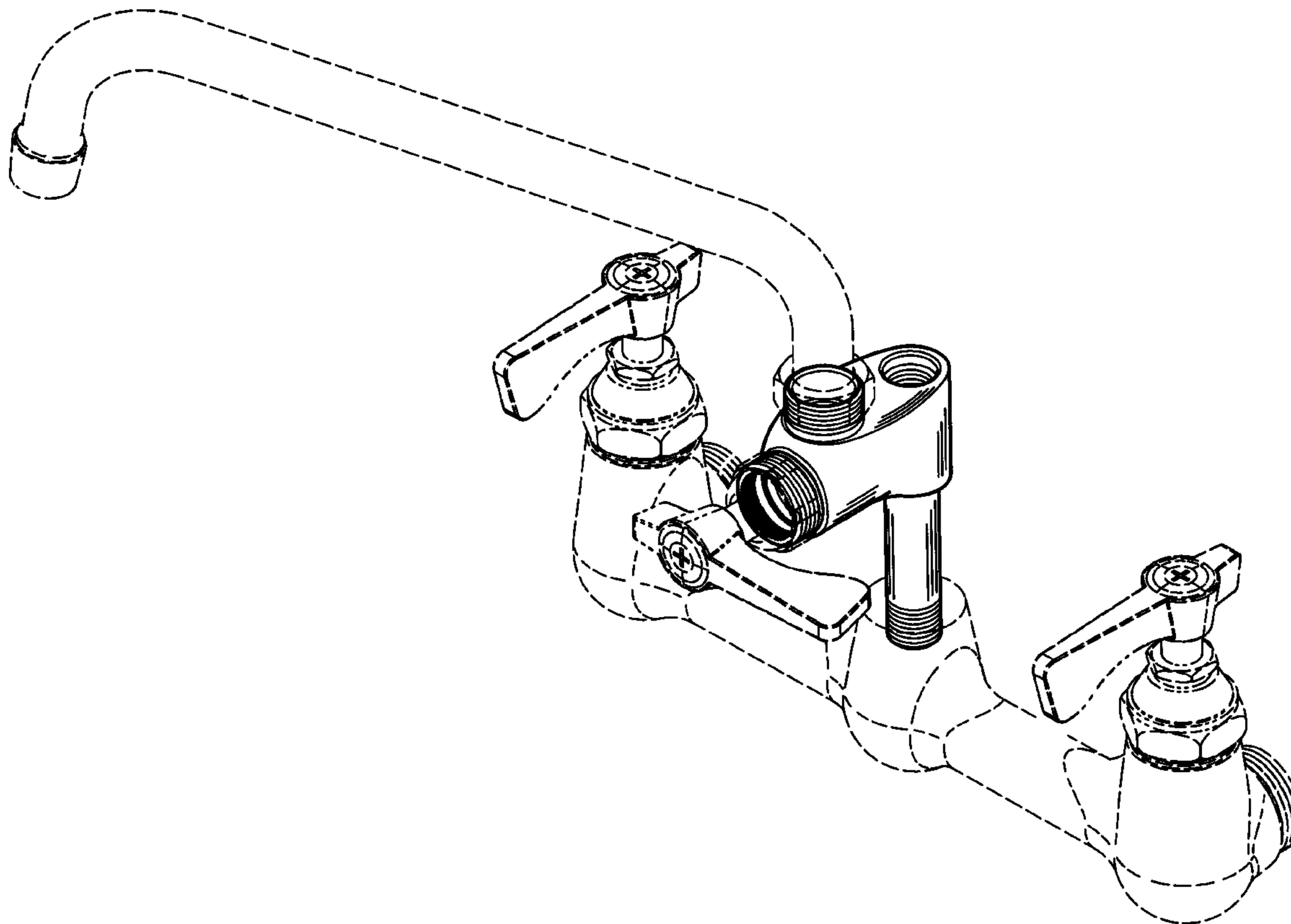
FIG. 5 is a top plan view thereof.

FIG. 6 is a bottom plan view thereof.

FIG. 7 is a perspective view of a wall faucet showing my new design; and,

FIG. 8 is an elevation view showing one application of the present invention, where those environmental features illustrated in dashed lines are not claimed in the present invention.

1 Claim, 5 Drawing Sheets



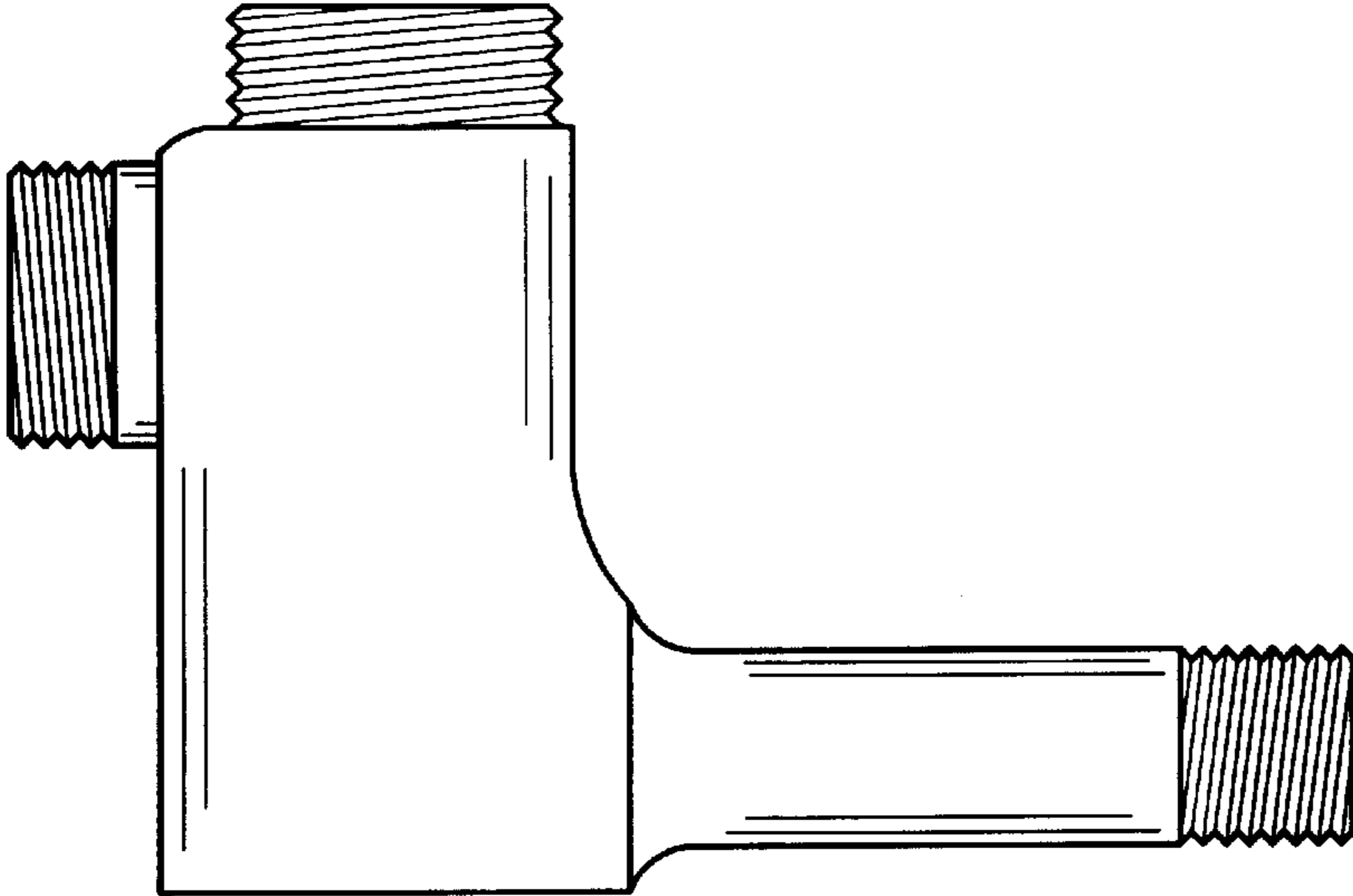


FIG. 2

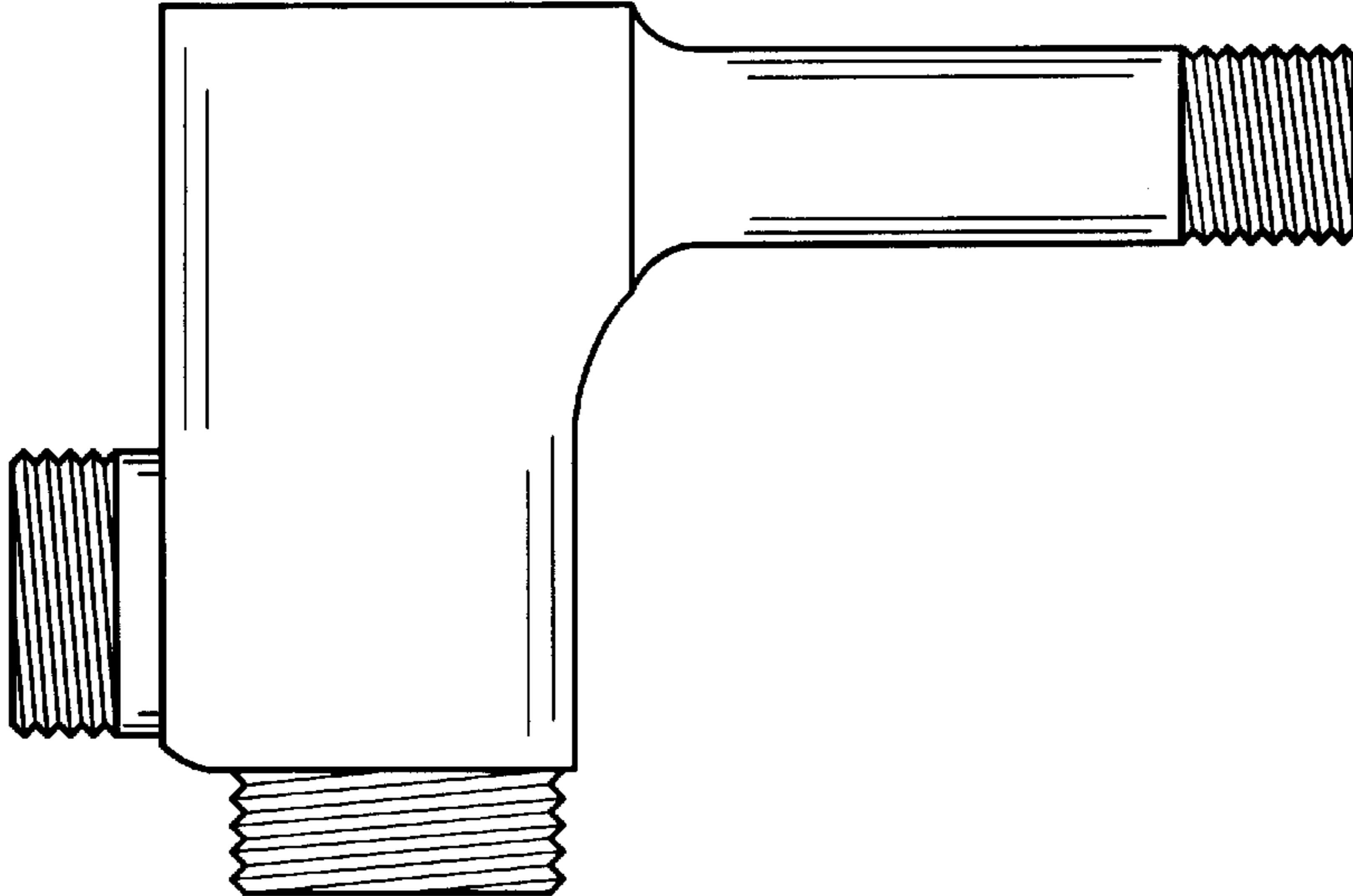


FIG. 1

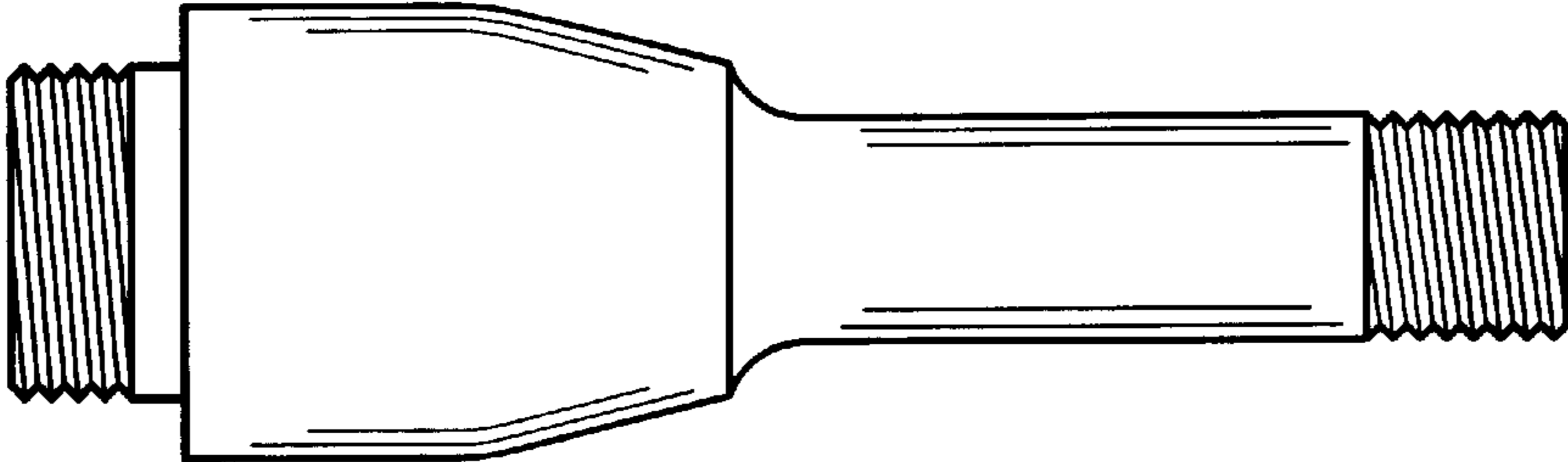


FIG. 4

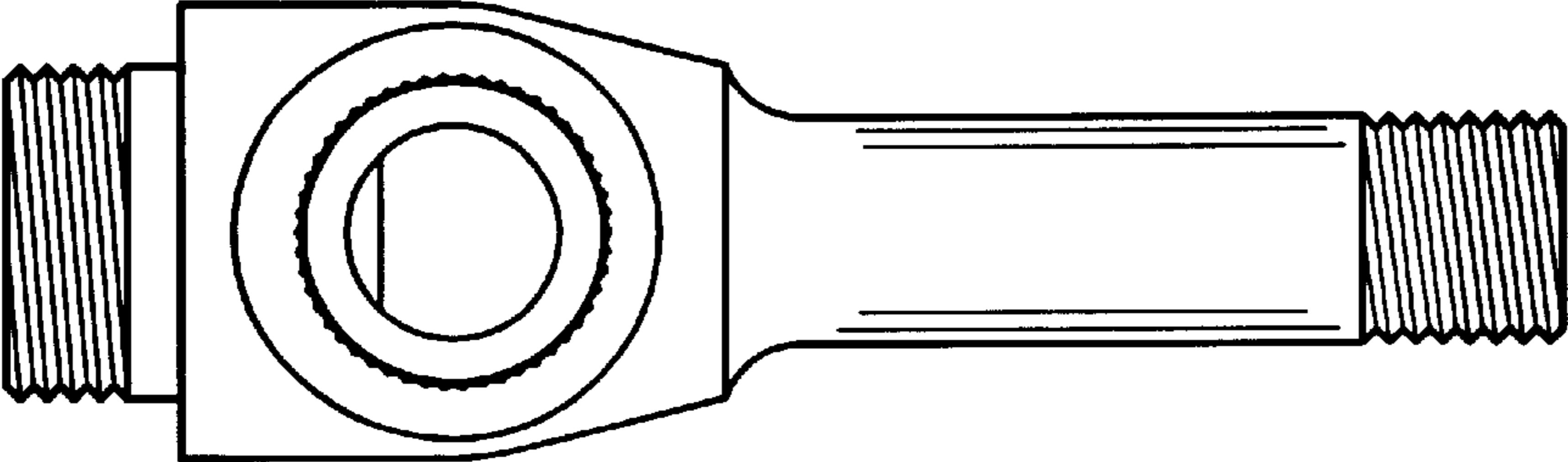


FIG. 3

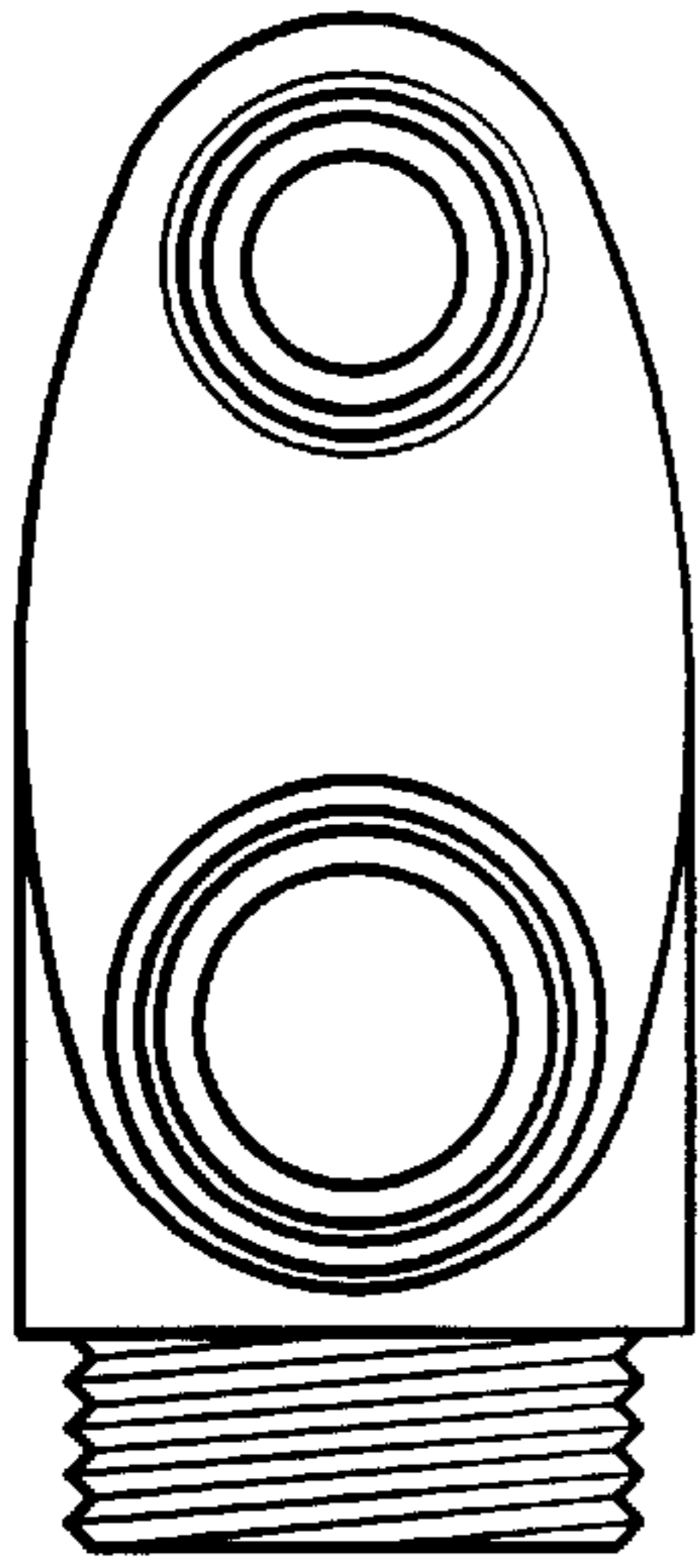


FIG. 5

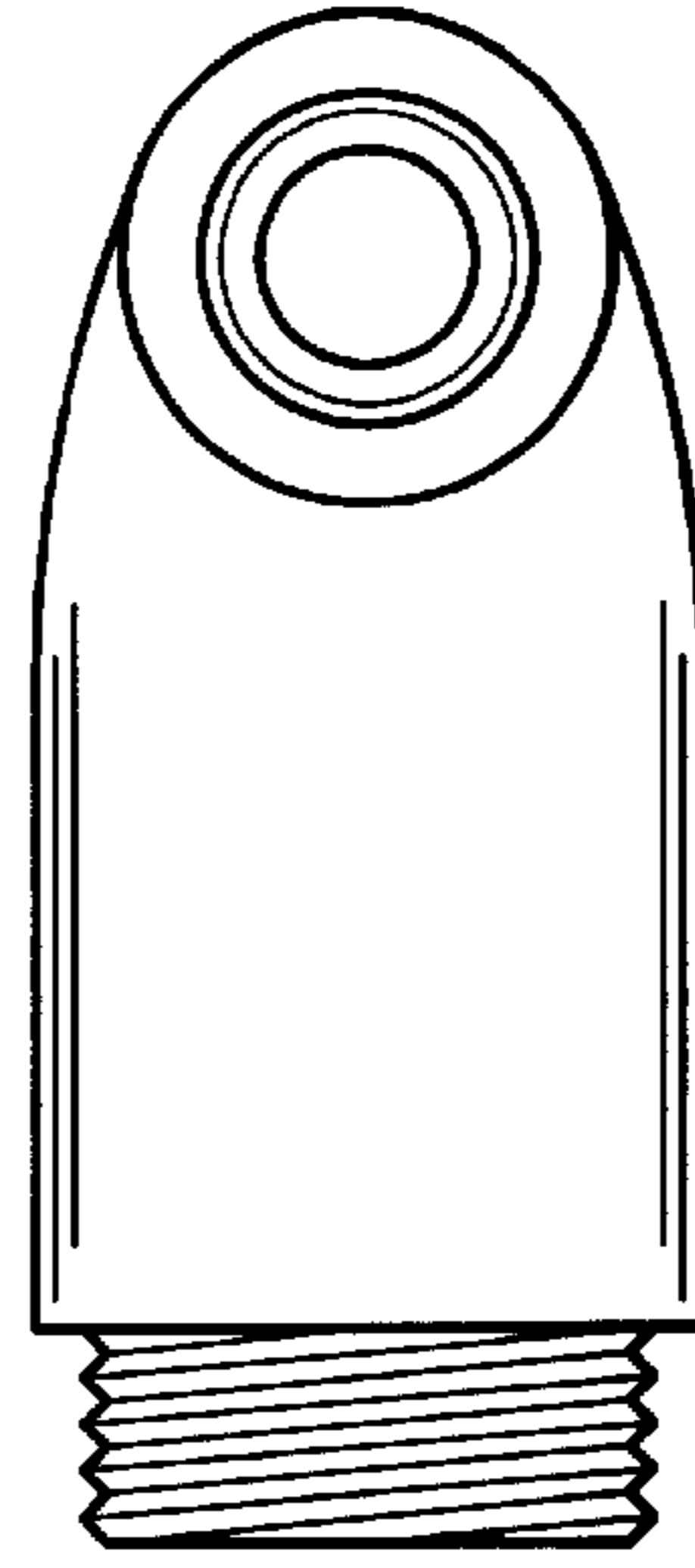


FIG. 6

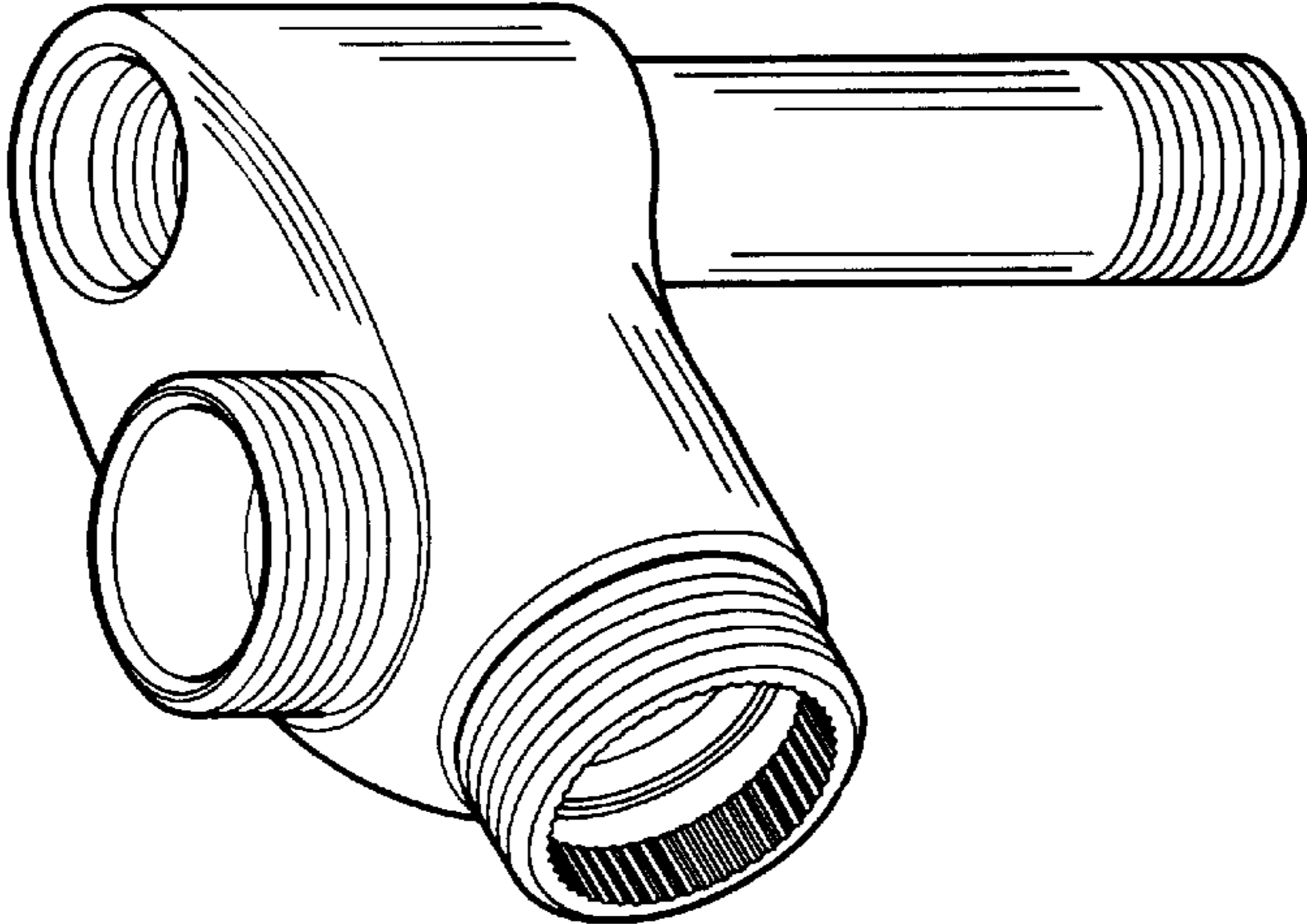


FIG. 7

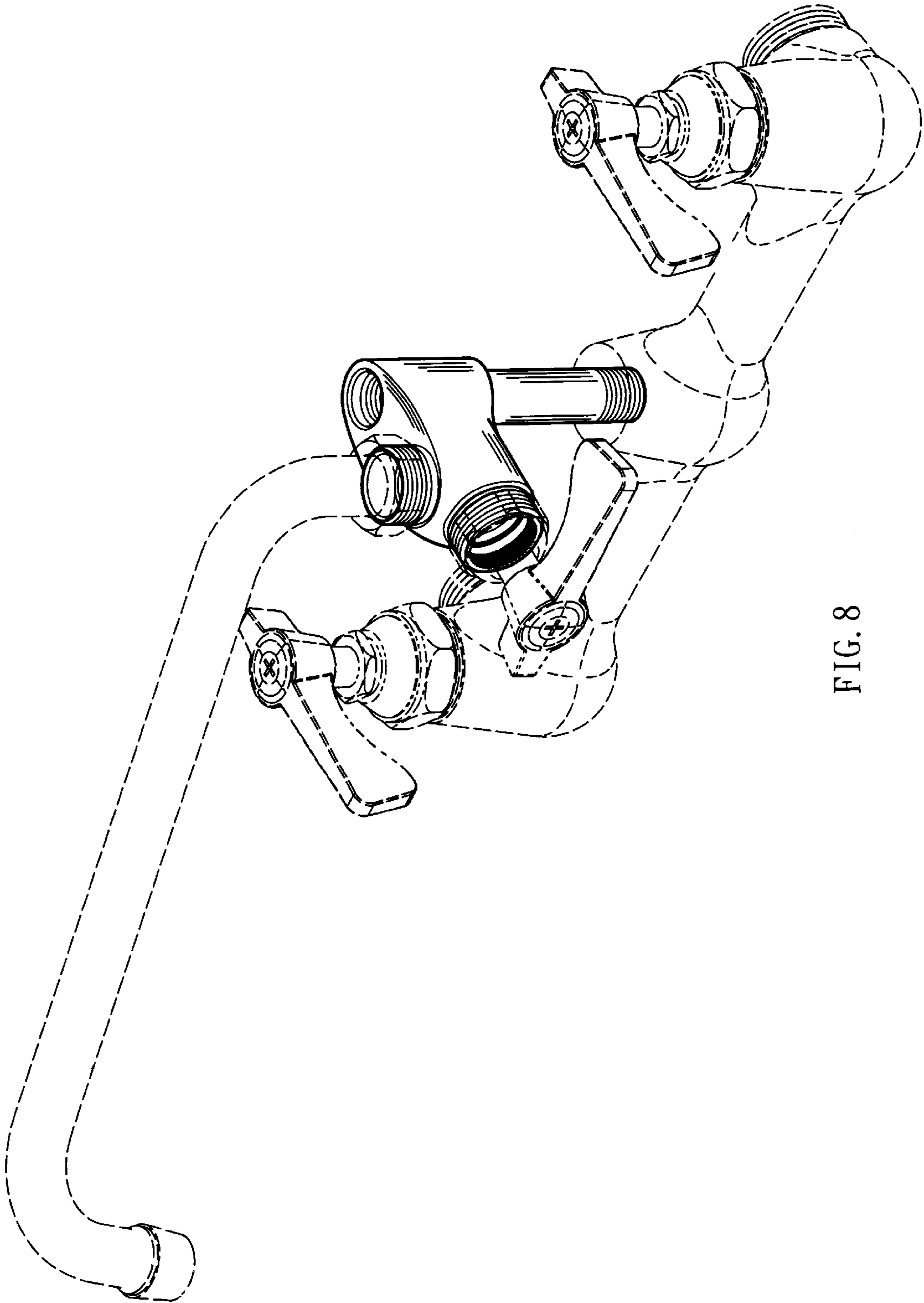


FIG. 8