



US00D517657S

(12) **United States Design Patent**
Crowell et al.

(10) **Patent No.:** **US D517,657 S**
(45) **Date of Patent:** **** Mar. 21, 2006**

(54) **FAUCET HOUSING**
(75) Inventors: **John Crowell**, Wilmington, DE (US);
Andrew Vellrath, New Castle, DE
(US); **Graham Paterson**, Wilmington,
DE (US); **Michael Boyer**, Wilmington,
DE (US)

D349,326 S 8/1994 Bollenbacher
D366,834 S 2/1996 Reid
D382,042 S 8/1997 Bollenbacher
D415,560 S * 10/1999 Lindholm D23/238
6,256,810 B1 7/2001 Baker
D497,409 S * 10/2004 Valfridsson D23/238

* cited by examiner

(73) Assignee: **Speakman Company**, New Castle, DE
(US)

Primary Examiner—Louis S. Zarfes

Assistant Examiner—Gregory Andoll

(**) Term: **14 Years**

(74) *Attorney, Agent, or Firm*—Connolly Bove Lodge &
Hutz LLP

(21) Appl. No.: **29/207,637**

(57) **CLAIM**

(22) Filed: **Jun. 16, 2004**

The ornamental design for faucet housing, as shown and
described.

(51) **LOC (8) Cl.** **23-01**

(52) **U.S. Cl.** **D23/249**

(58) **Field of Classification Search** D23/238–257;
4/675–678; 137/801

See application file for complete search history.

DESCRIPTION

FIG. 1 is a front elevational view of the faucet housing of our
design;

FIG. 2 is a left side elevational view thereof, the right side
elevation being the same;

FIG. 3 is a rear elevational view thereof;

FIG. 4 is a top plan view thereof; and,

FIG. 5 is a bottom plan view thereof.

The broken lines in the Figures are for illustrative purposes
only and form no part of the claimed design.

(56) **References Cited**

U.S. PATENT DOCUMENTS

D327,529 S * 6/1992 Dannenberg D23/238
D327,731 S * 7/1992 Kajpust et al. D23/238
5,165,121 A 11/1992 McTargett et al.
5,242,199 A 9/1993 Hann et al.

1 Claim, 2 Drawing Sheets

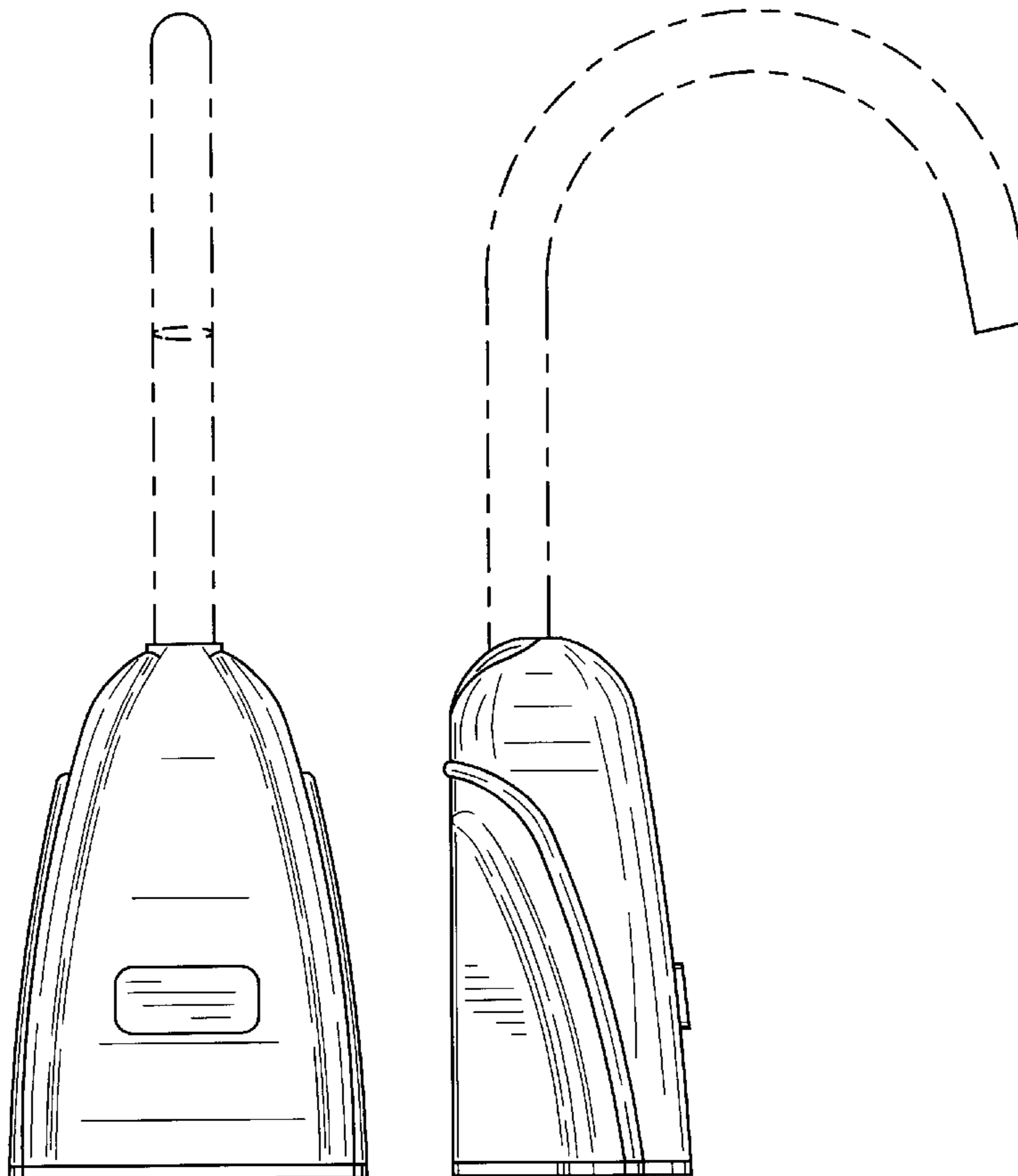


FIG. 2

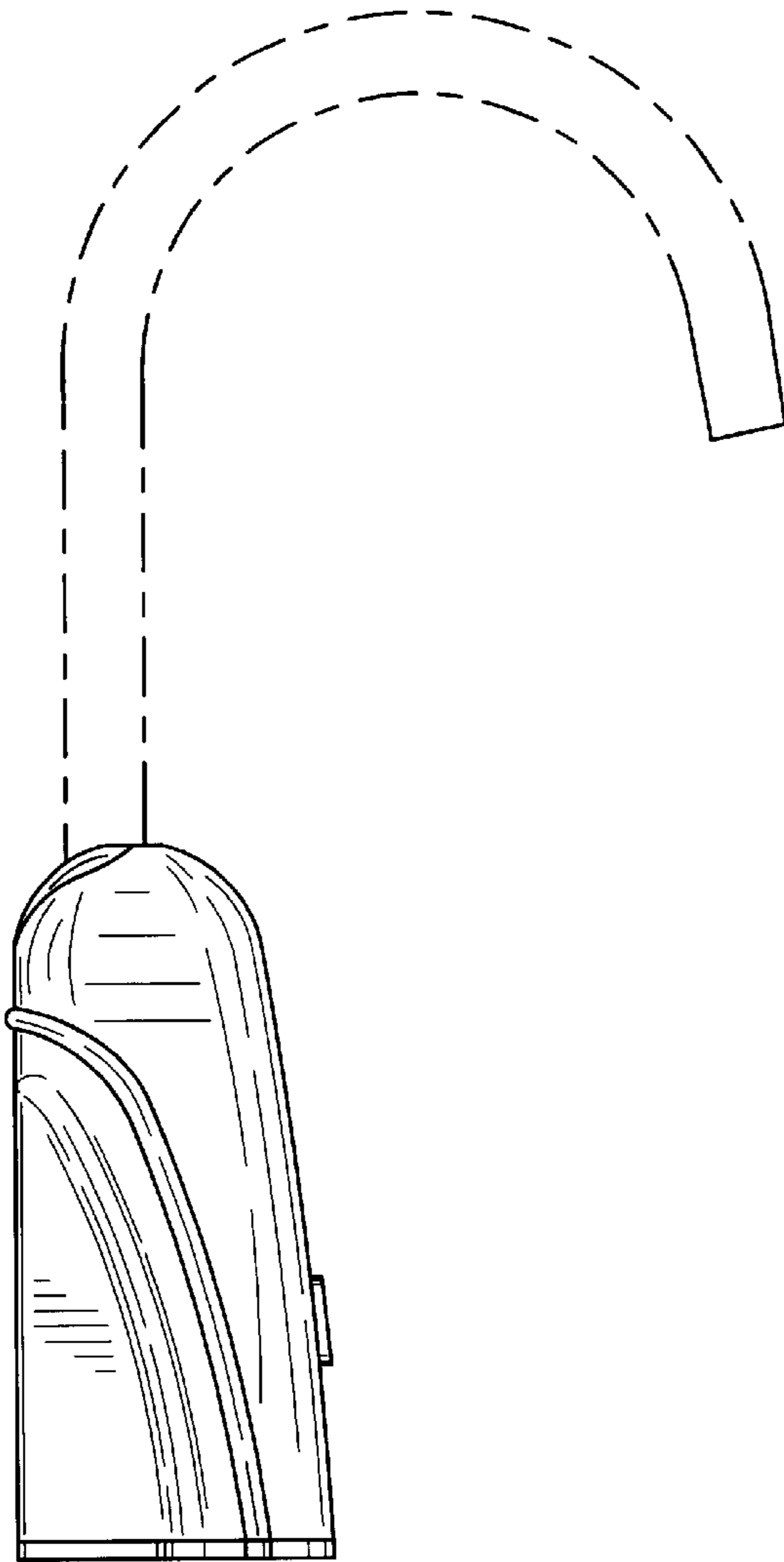


FIG. 1

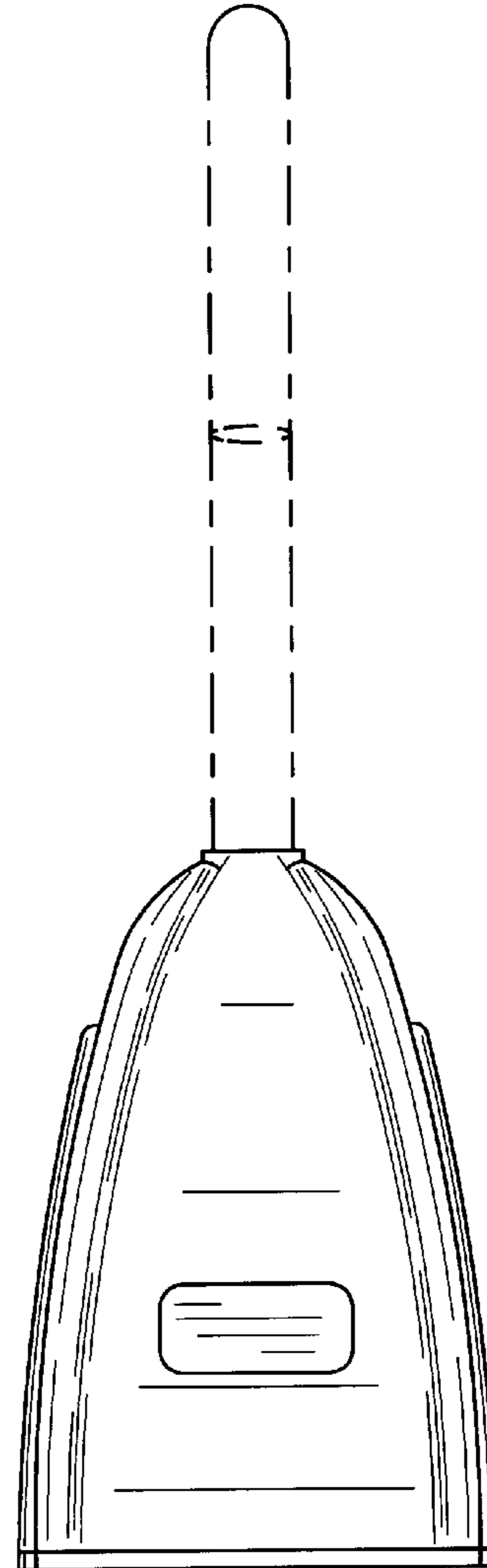


FIG. 5

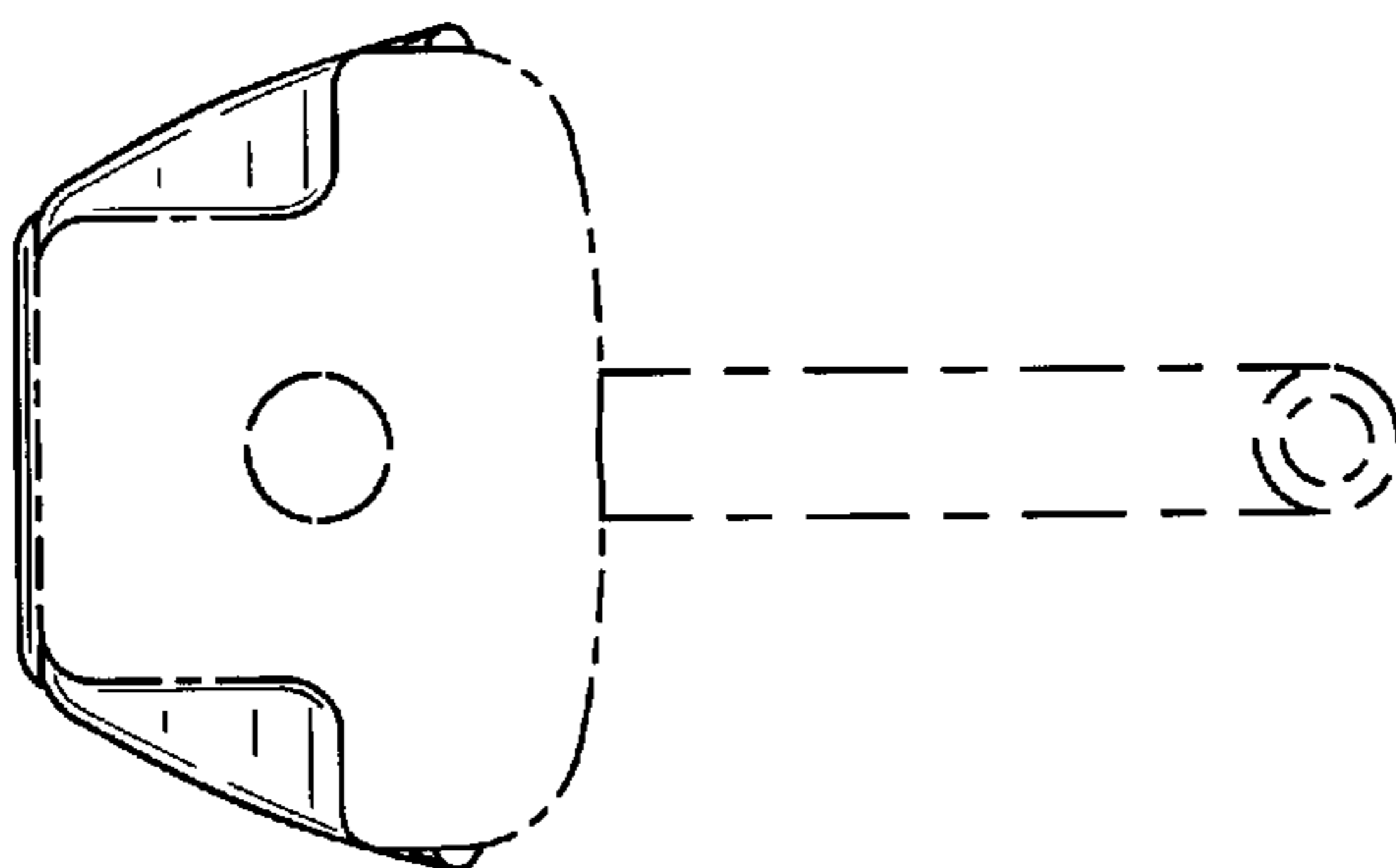


FIG. 4

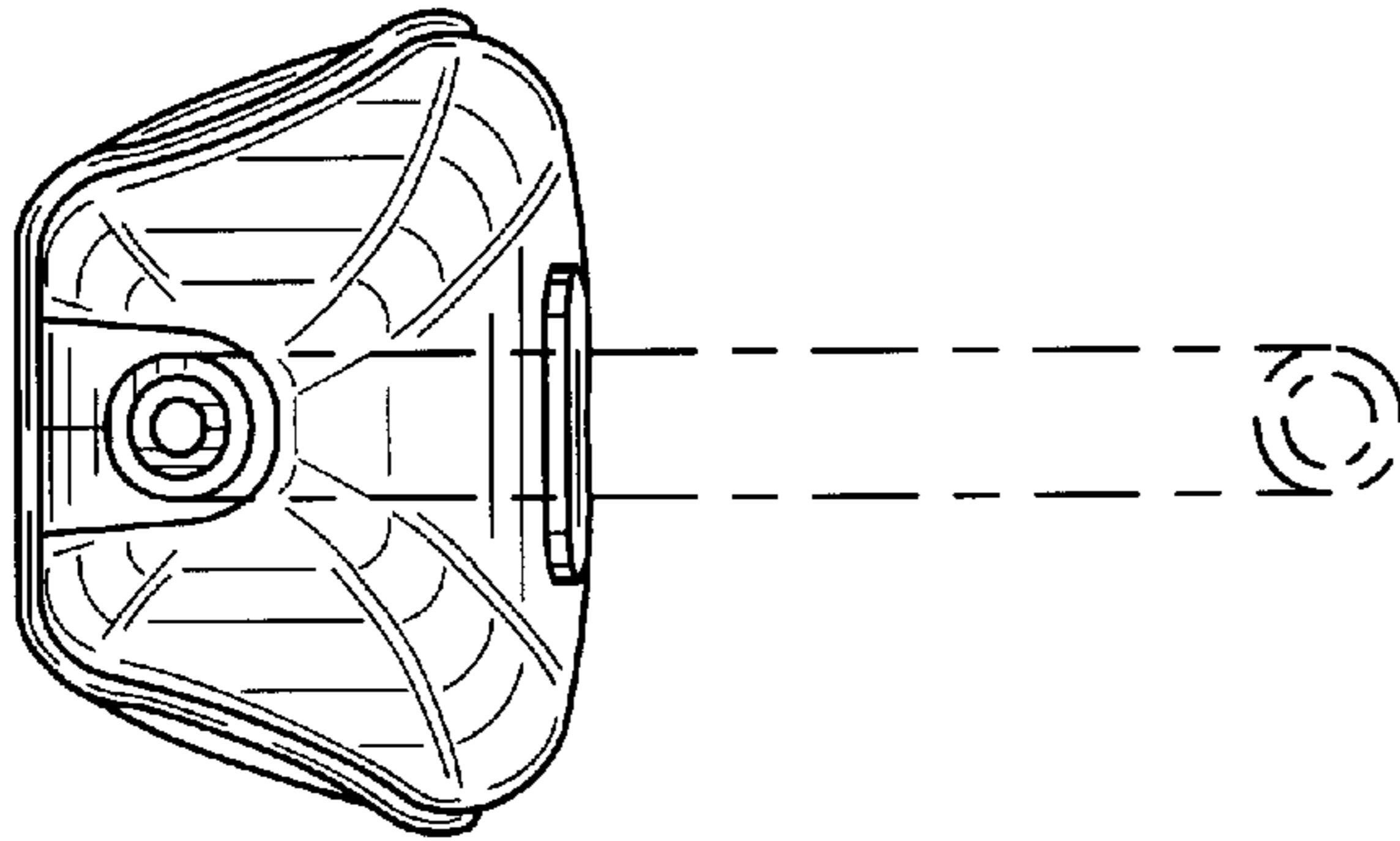


FIG. 3

