



US00D517656S

(12) **United States Design Patent**
Shieh

(10) **Patent No.:** **US D517,656 S**
(45) **Date of Patent:** **** Mar. 21, 2006**

(54) **FAUCET BASE**

(76) **Inventor:** **Ming Chun Shieh**, P.O. Box 63-99,
Taichung (TW), 406

(**) **Term:** **14 Years**

(21) **Appl. No.:** **29/188,014**

(22) **Filed:** **Aug. 8, 2003**

(51) **LOC (8) Cl. 23-01**

(52) **U.S. Cl. D23/249; D23/241; D23/242**

(58) **Field of Classification Search D23/238-257;**
4/675-687; 137/807, 615

See application file for complete search history.

(56) **References Cited**

U.S. PATENT DOCUMENTS

D21,933 S	*	10/1892	Graham	D23/240
D317,971 S	*	7/1991	Sauter et al.	D23/241
D323,700 S	*	2/1992	Wilde	D23/241
D375,345 S	*	11/1996	Warshawsky	D23/241
D463,848 S	*	10/2002	Haug et al.	D23/241
D479,870 S	*	9/2003	Hung	D23/241
D491,636 S	*	6/2004	Shieh	D23/249

* cited by examiner

Primary Examiner—Louis S. Zarfes

Assistant Examiner—Gregory Andoll

(74) *Attorney, Agent, or Firm*—Alan D. Kamrath; Nikolai & Mersereau, P.A.

(57) **CLAIM**

The ornamental design for a faucet base, as shown and described.

DESCRIPTION

FIG. 1 is a perspective view of a faucet base showing my new design;

FIG. 2 is a front elevational view thereof;

FIG. 3 is a rear elevational view thereof;

FIG. 4 is a top plan view thereof;

FIG. 5 is a bottom plan view thereof;

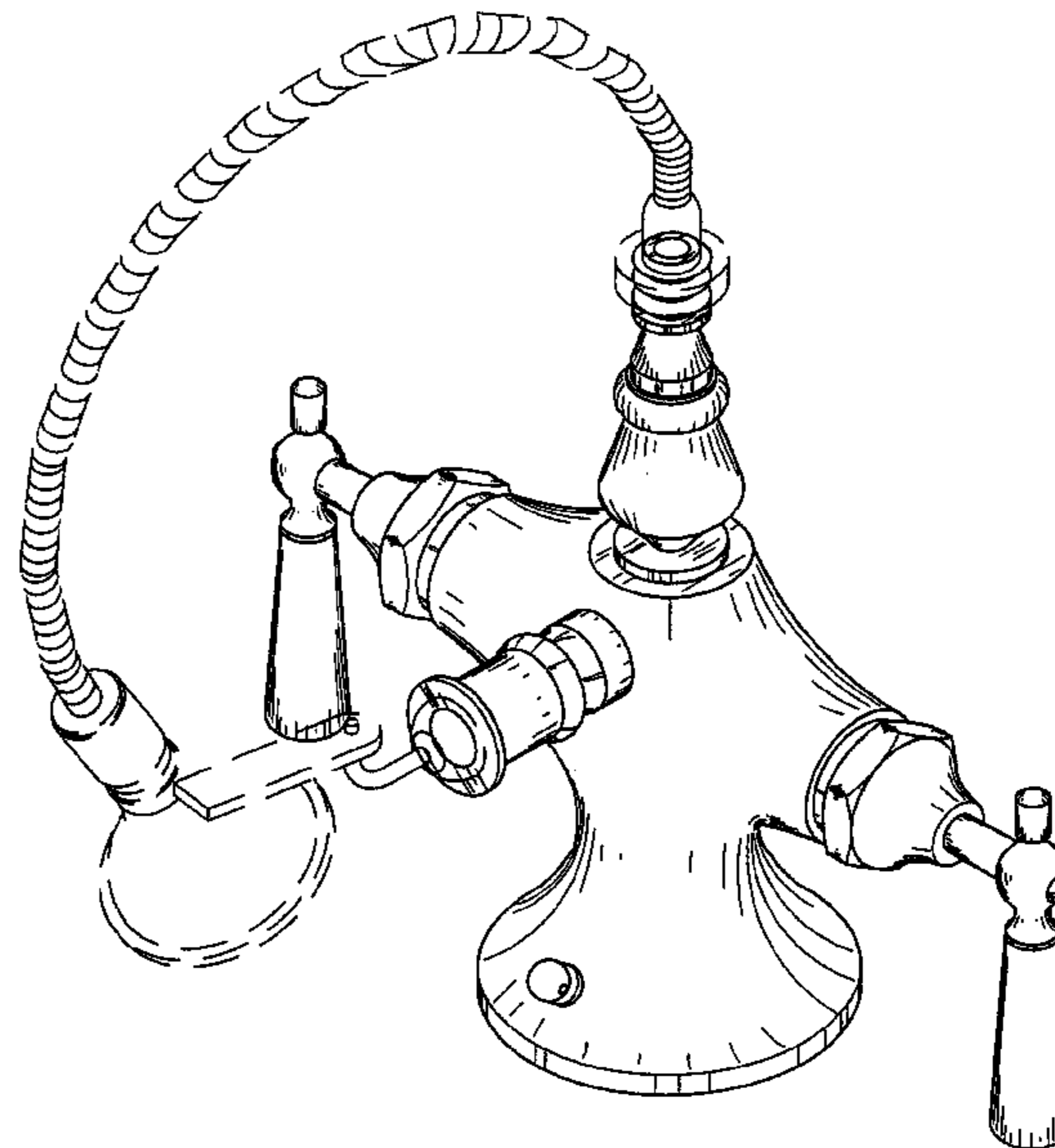
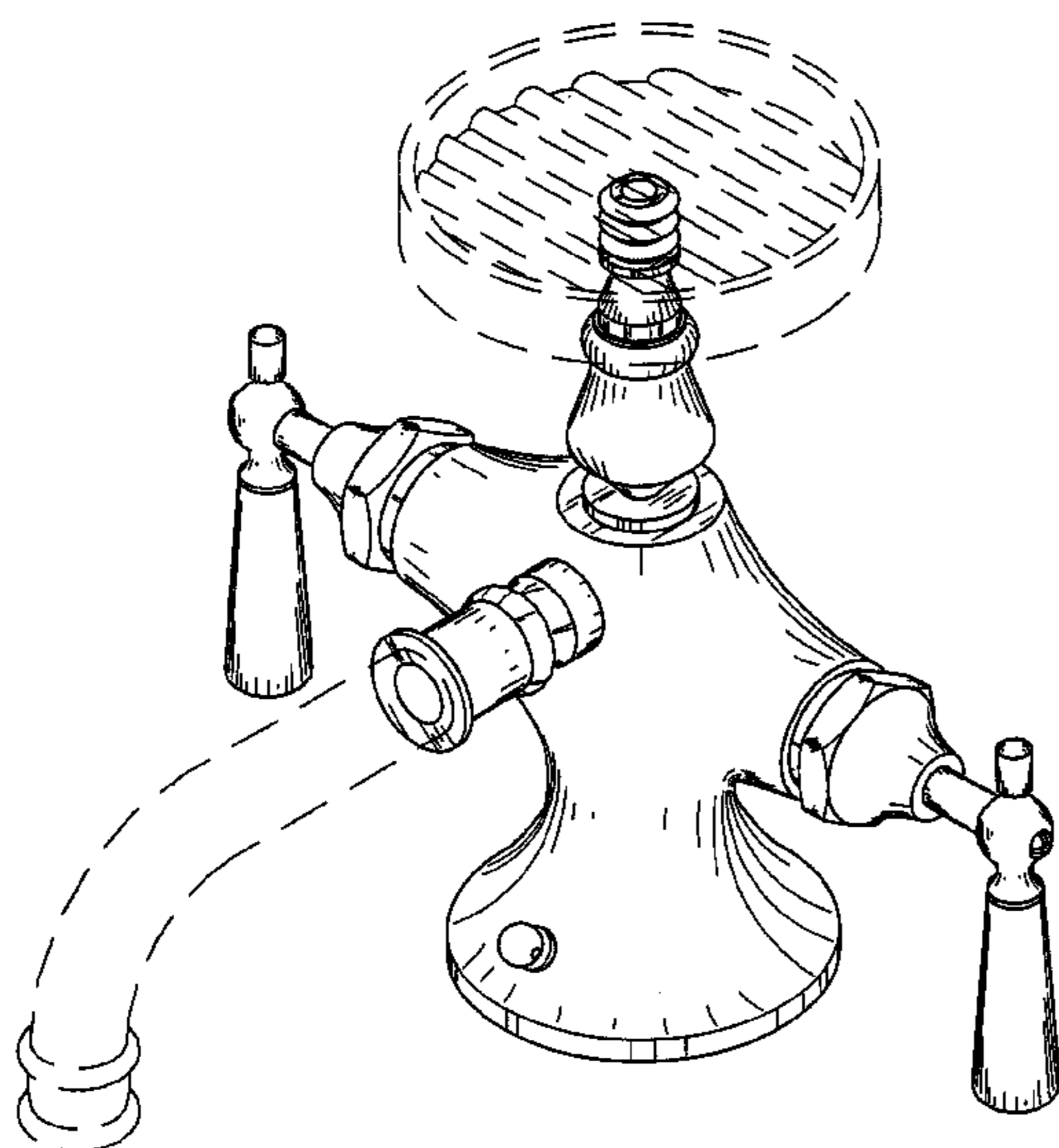
FIG. 6 is a left side elevational view thereof;

FIG. 7 is a right side elevational view thereof; and,

FIGS. 8, 9 are perspective views thereof, the attachments and hoses depicted by means of broken lines being for illustrative purposes only and forming no part of the claimed design.

The broken lines in FIG. 5 are for illustrative purposes only and form no part of the claimed design.

1 Claim, 6 Drawing Sheets



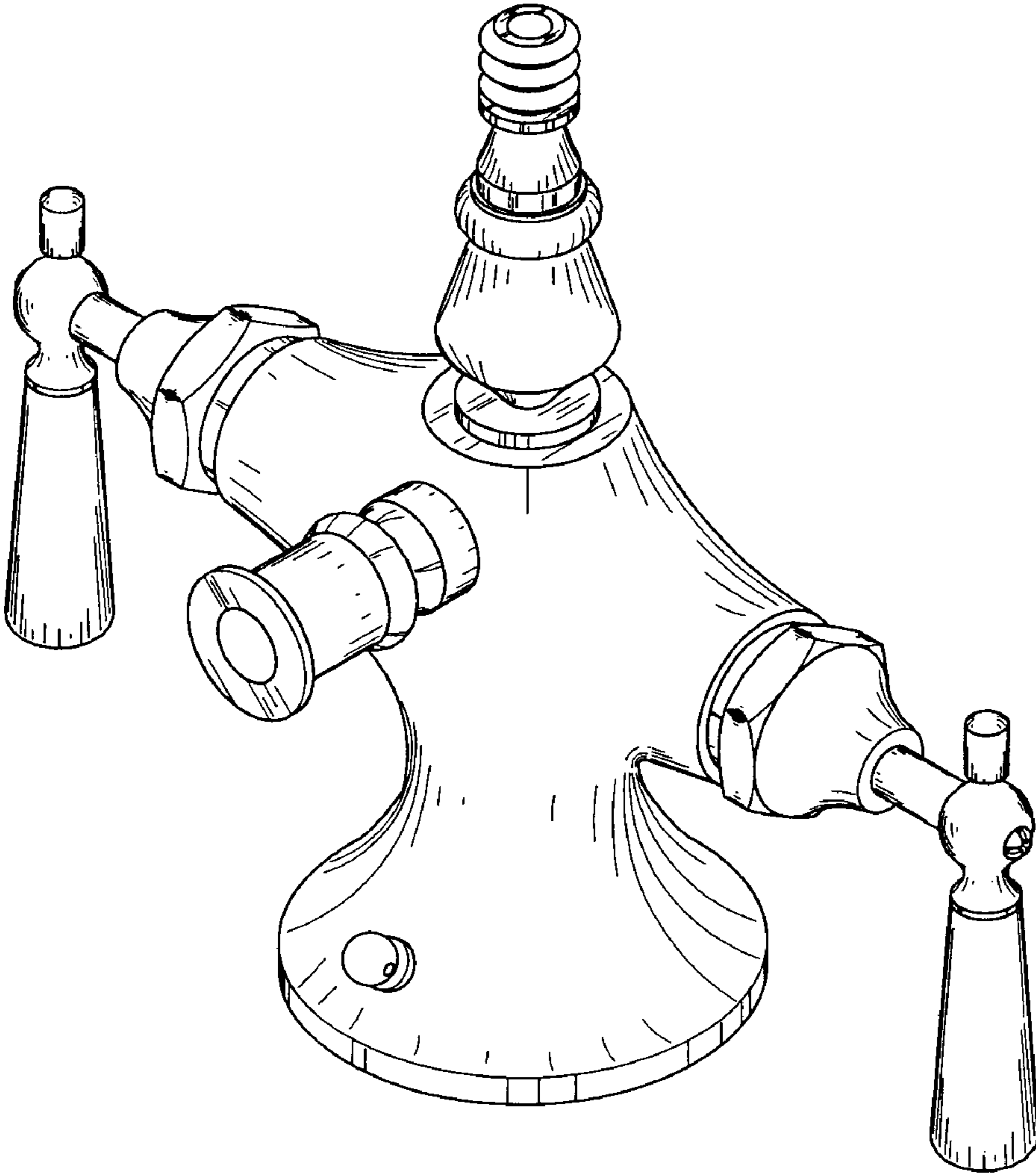


FIG. 1

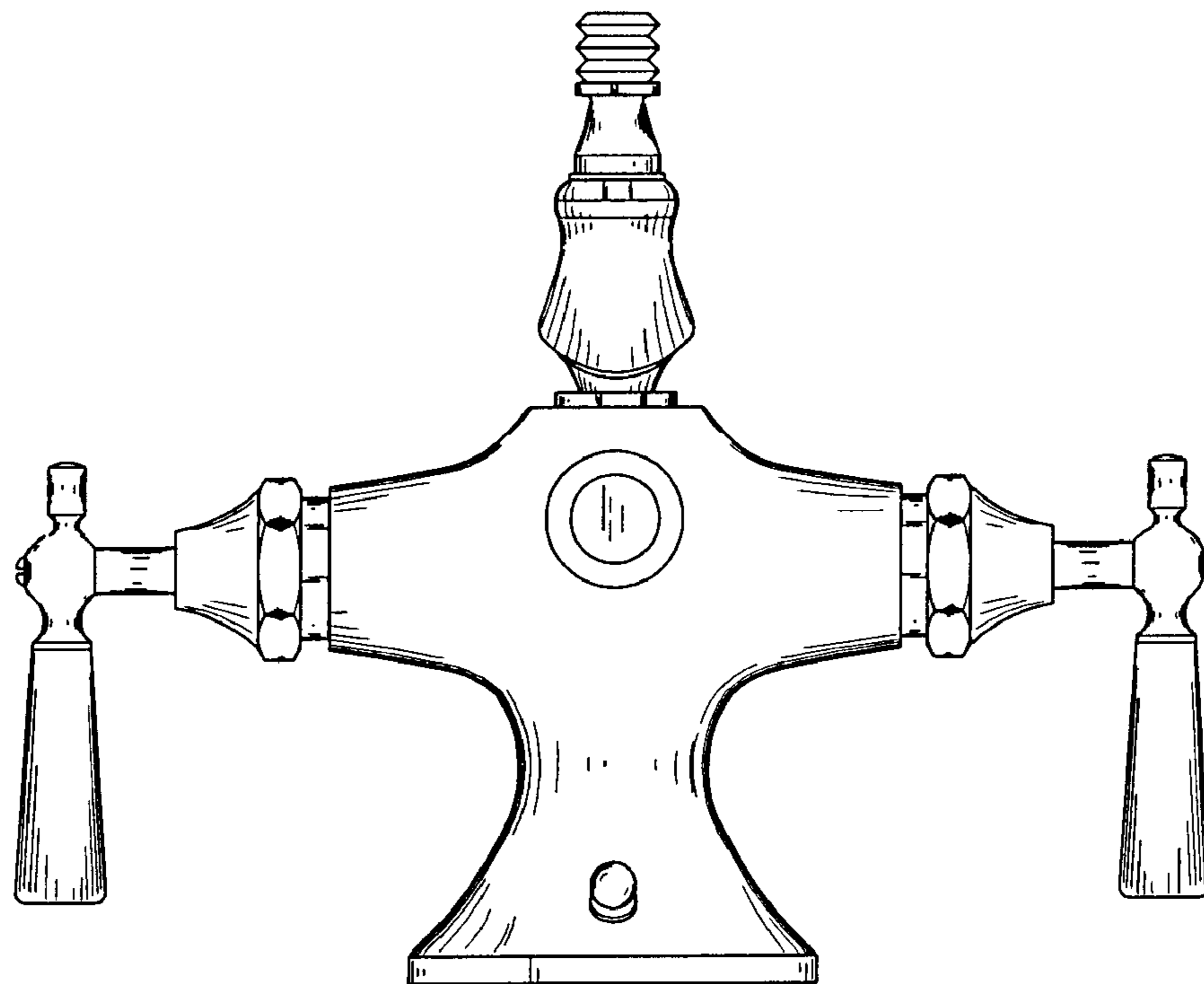


FIG. 2

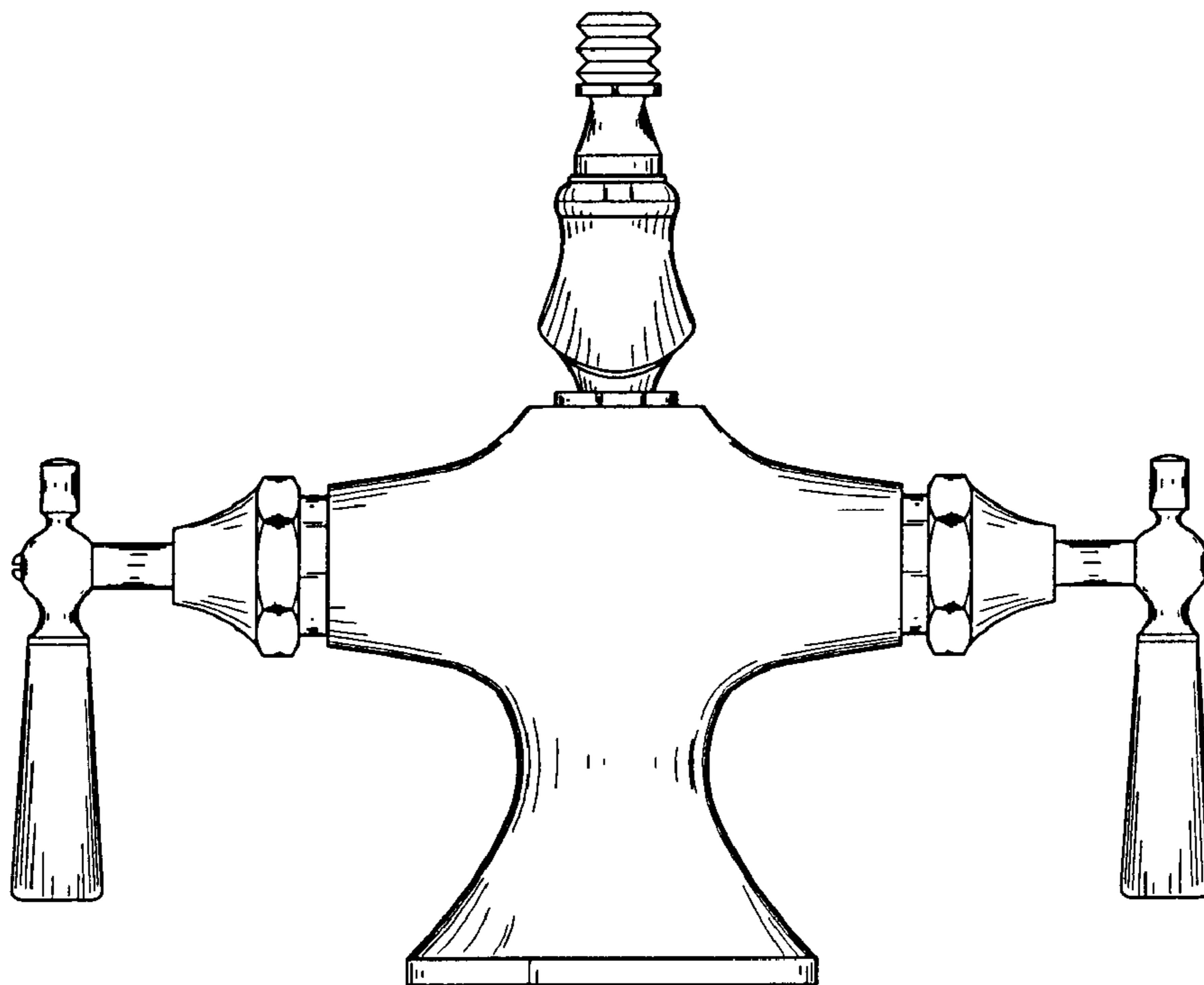


FIG. 3

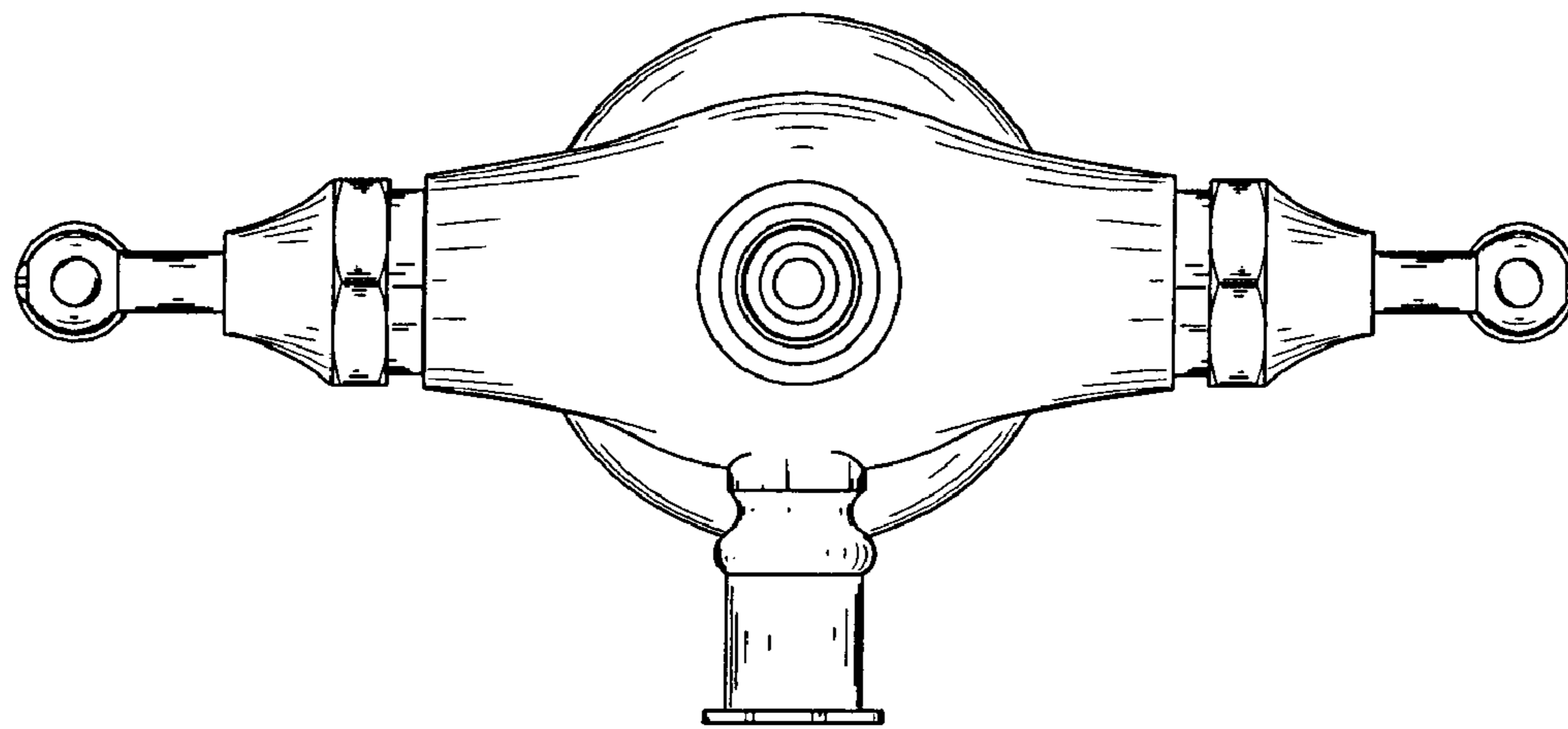


FIG. 4

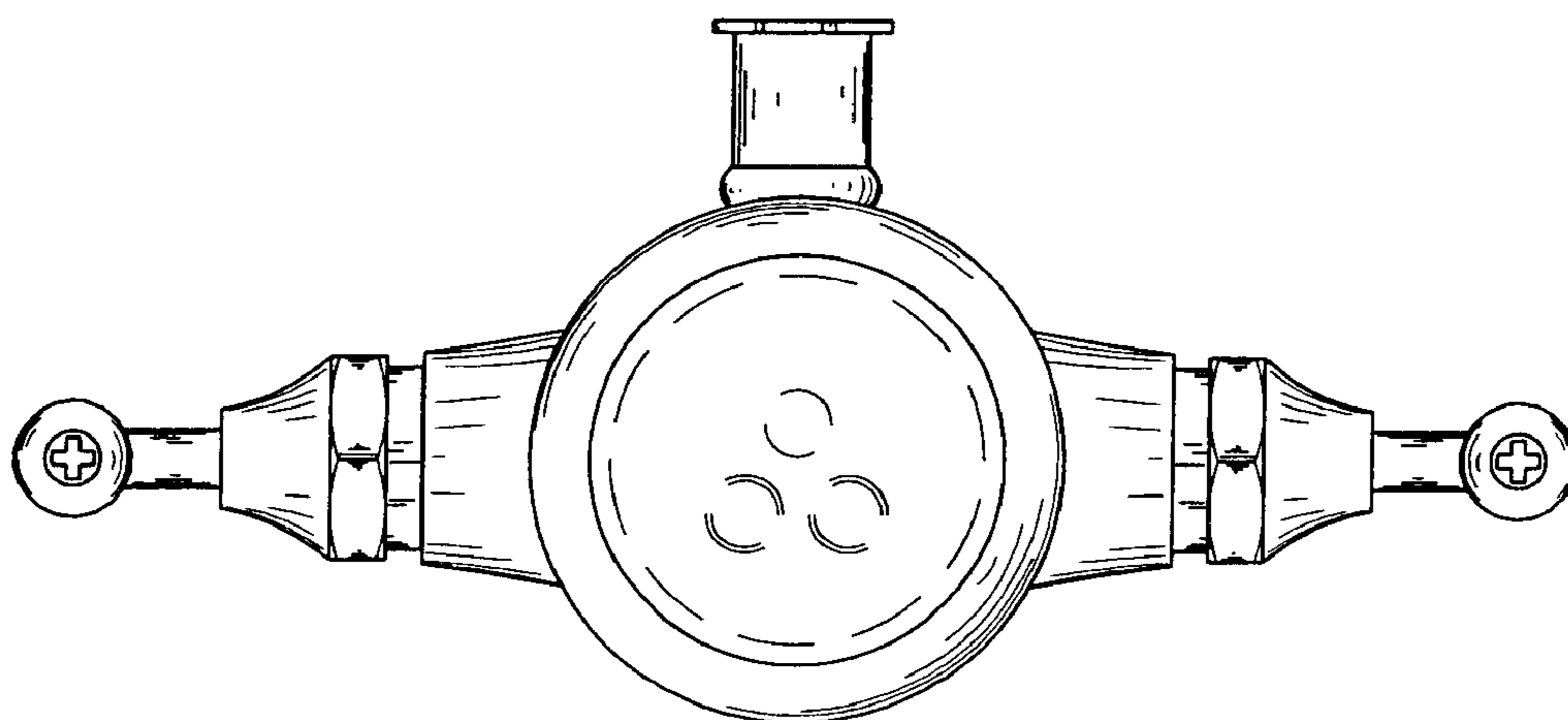


FIG. 5

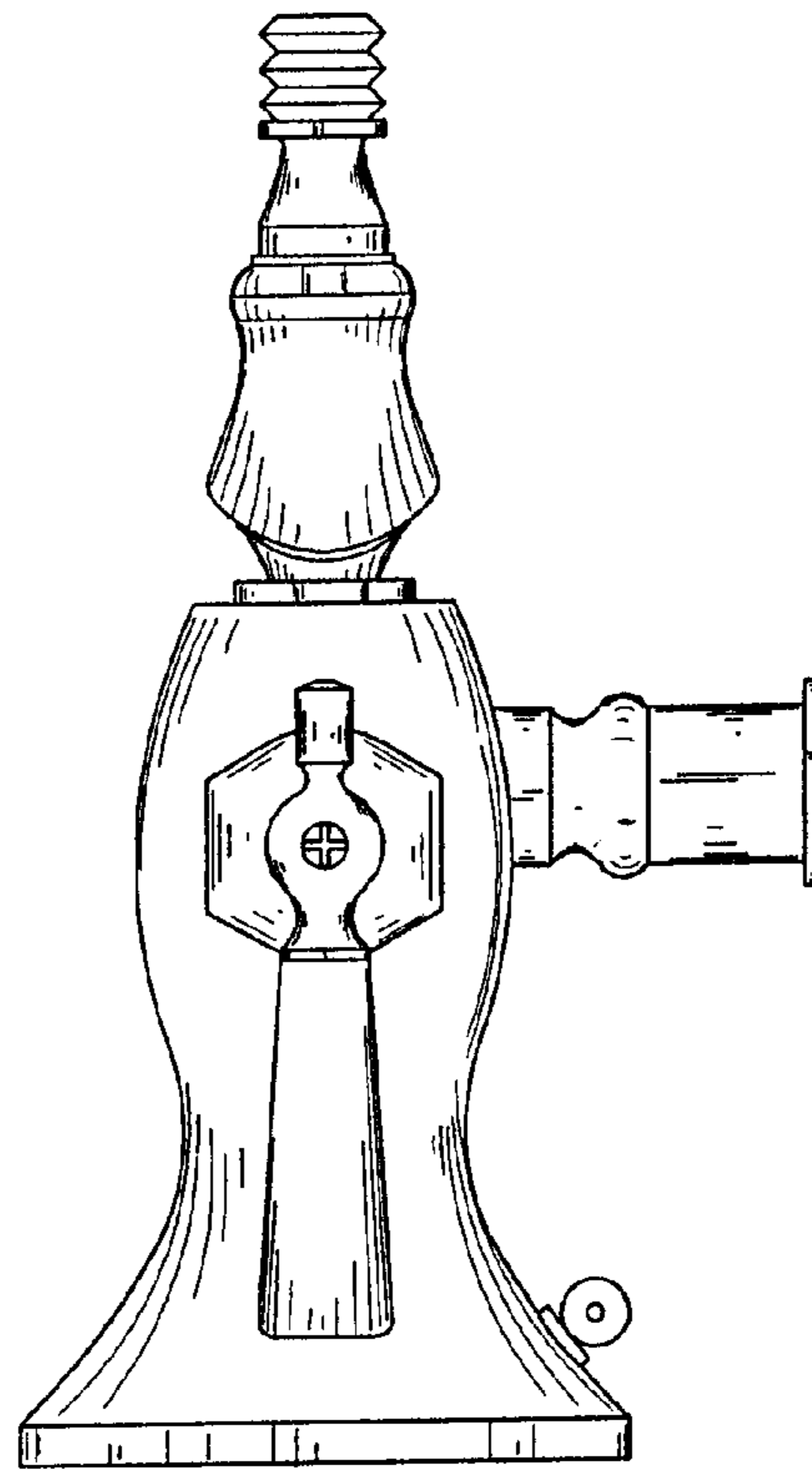


FIG. 6

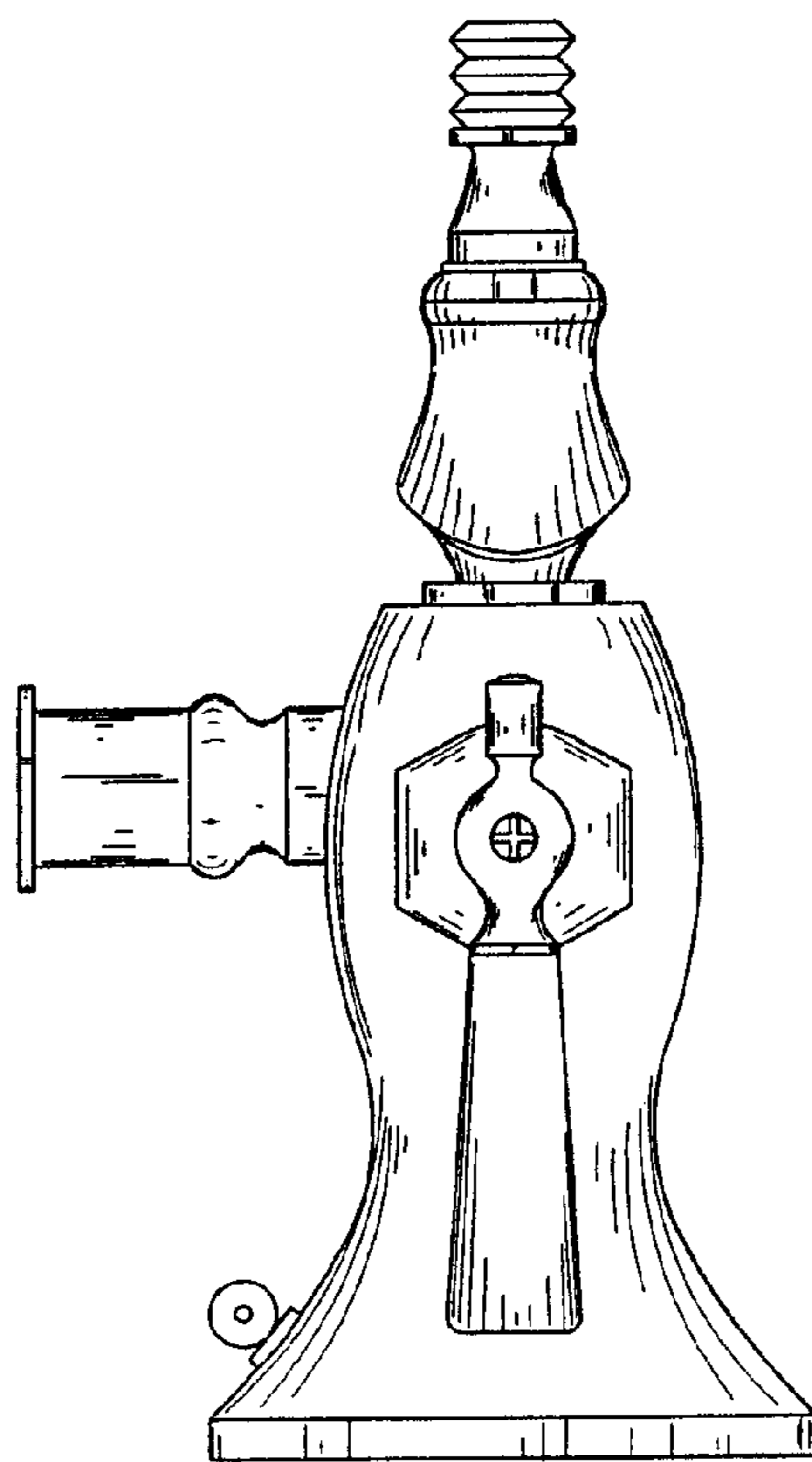


FIG. 7

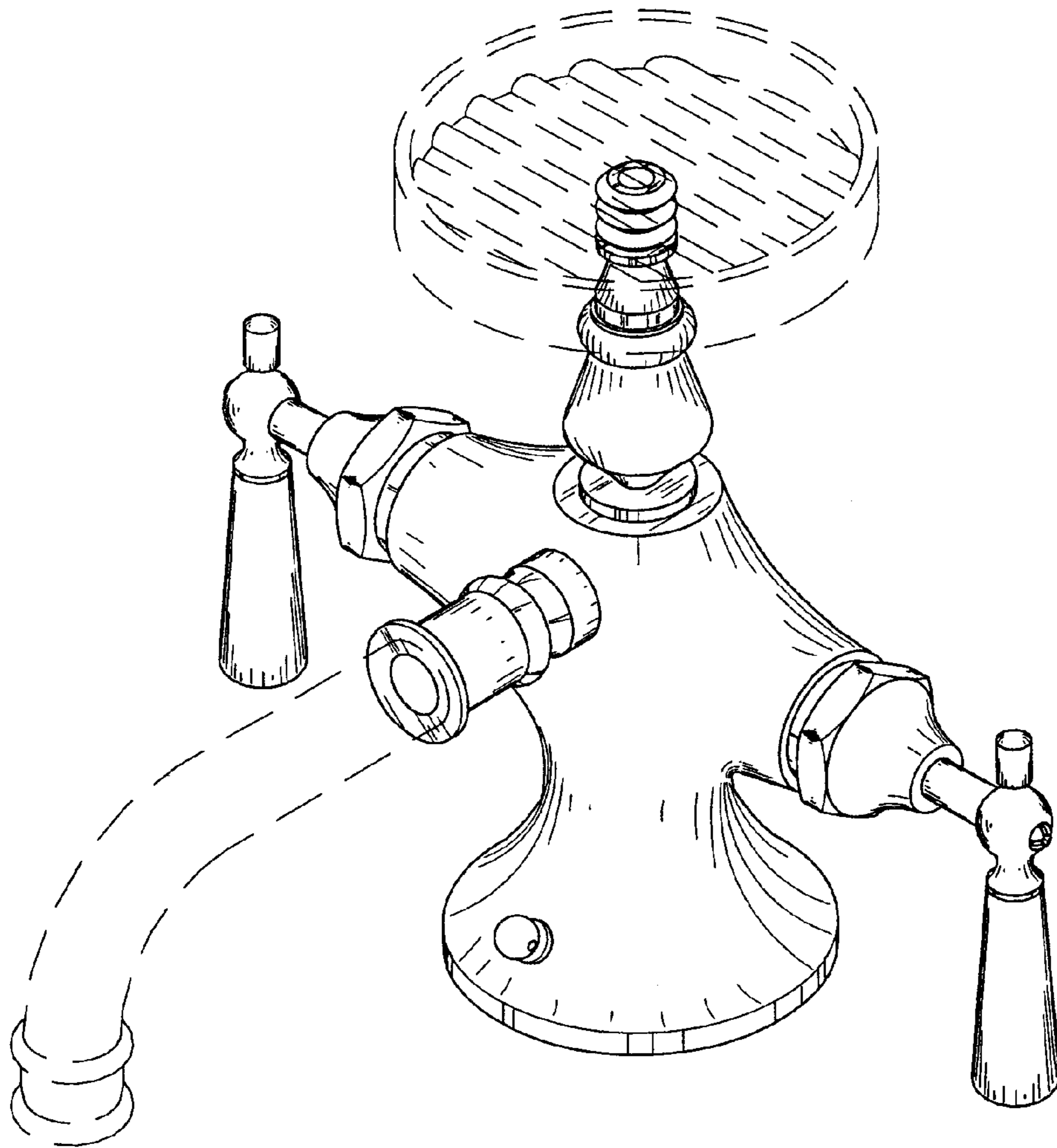


FIG.8

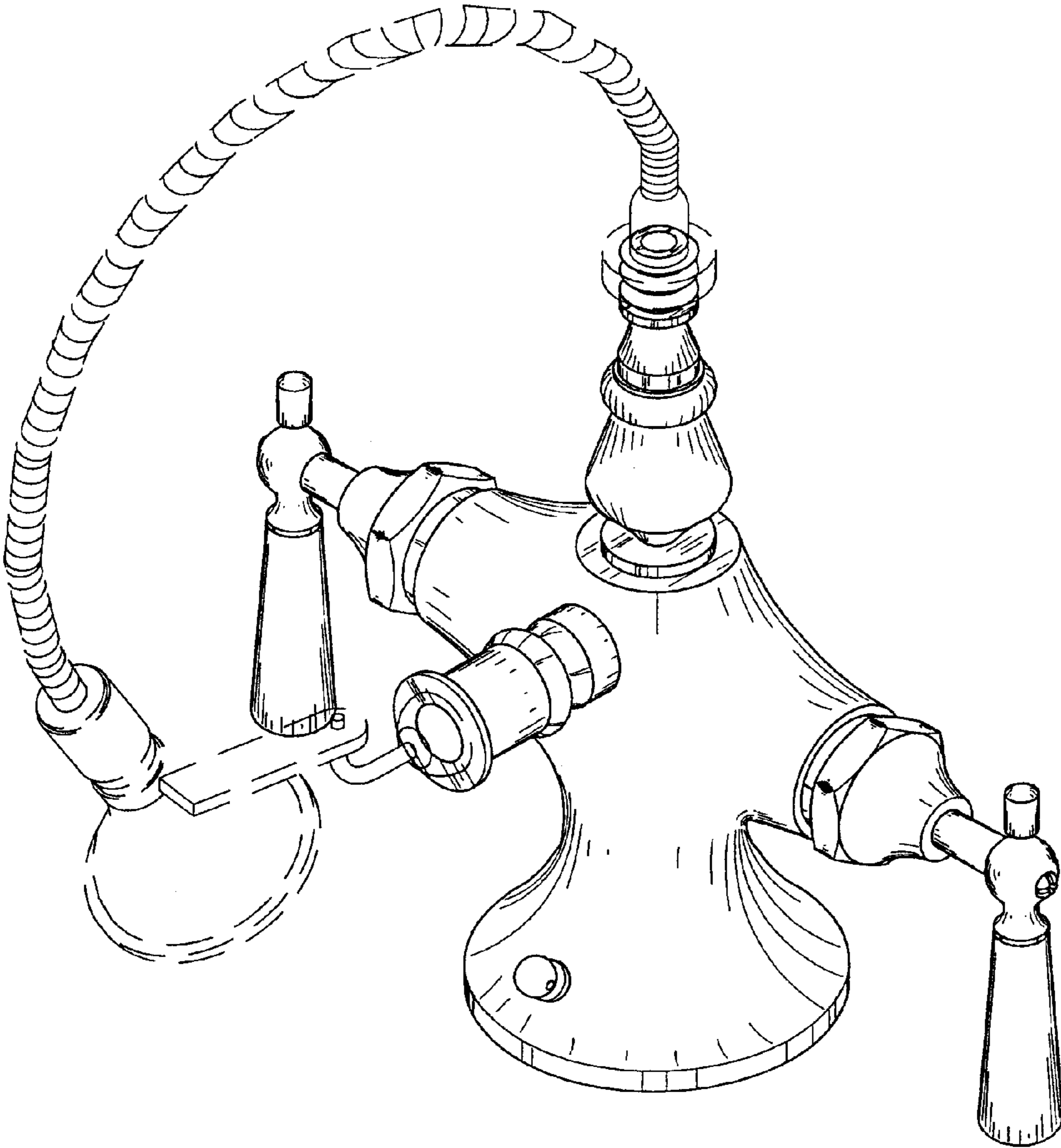


FIG. 9