



US00D517655S

(12) **United States Design Patent**  
**Ogata et al.**

(10) **Patent No.:** **US D517,655 S**  
(45) **Date of Patent:** **\*\* Mar. 21, 2006**

(54) **FAUCET AND HANDLE SET**

D503,217 S \* 3/2005 Aubry et al. .... D23/255

(75) Inventors: **Rina Ogata**, Kitakyushu (JP); **Atsushi Toyohara**, Kitakyushu (JP)

\* cited by examiner

(73) Assignee: **Toto Ltd.**, Kitakyushu (JP)

*Primary Examiner*—Louis S. Zarfes

(\*\*) Term: **14 Years**

*Assistant Examiner*—Gregory Andoll

(21) Appl. No.: **29/229,202**

(74) *Attorney, Agent, or Firm*—Birch, Stewart, Kolasch & Birch, LLP

(22) Filed: **May 5, 2005**

(57) **CLAIM**

The ornamental design for a faucet and handle set, as shown and described.

(51) **LOC (8) Cl.** ..... **23-01**

(52) **U.S. Cl.** ..... **D23/241; D23/242**

(58) **Field of Classification Search** ..... D23/238–257;  
4/675–678; 137/801

See application file for complete search history.

**DESCRIPTION**

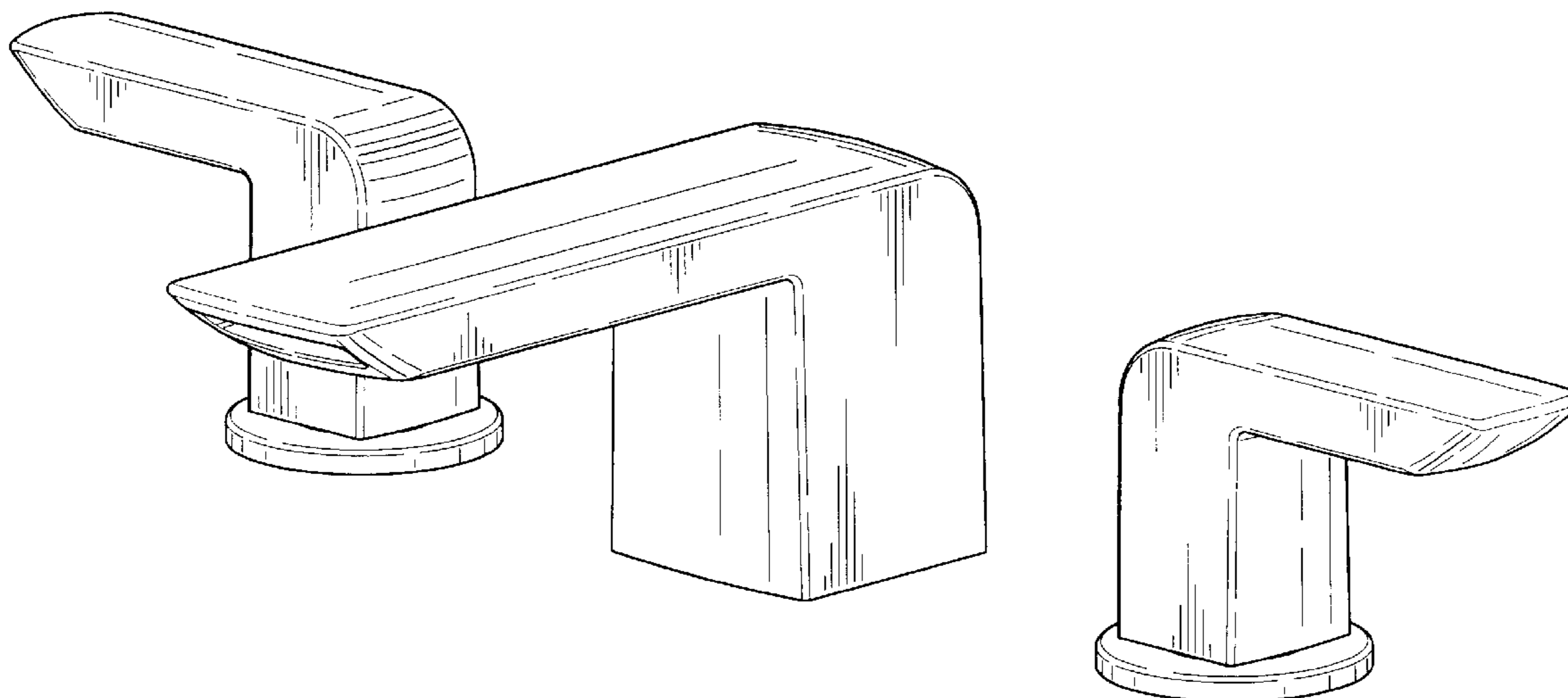
FIG. 1 is a perspective view of the top, front and right side of a faucet and handle set showing our new design;  
FIG. 2 is a front view thereof;  
FIG. 3 is a rear view thereof;  
FIG. 4 is a right side view thereof;  
FIG. 5 is a left side view thereof;  
FIG. 6 is a top plan view thereof; and,  
FIG. 7 is a bottom view thereof.

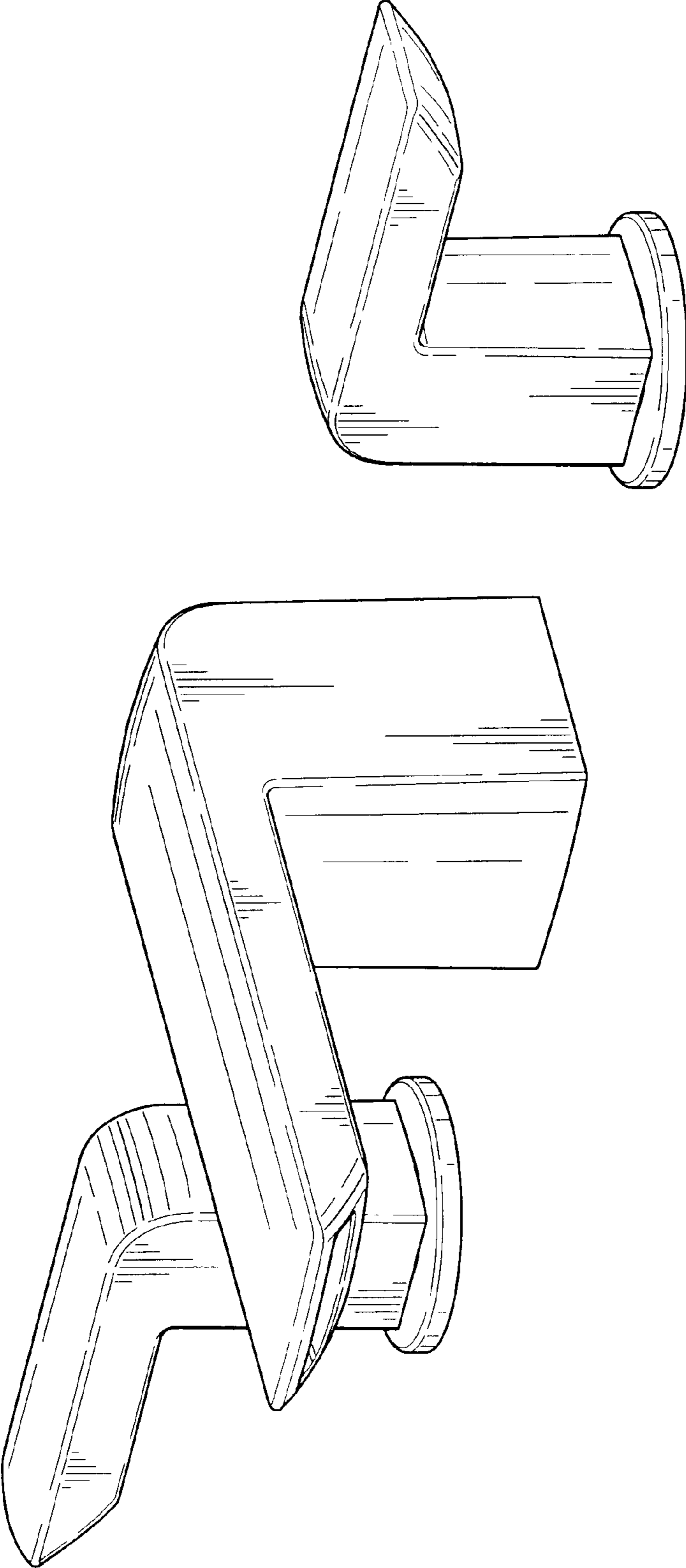
(56) **References Cited**

**U.S. PATENT DOCUMENTS**

- D271,514 S \* 11/1983 Paul ..... D23/242
- D313,065 S \* 12/1990 Strignano ..... D23/242
- D486,563 S \* 2/2004 Hsieh ..... D23/255

**1 Claim, 6 Drawing Sheets**





**FIG. 1**

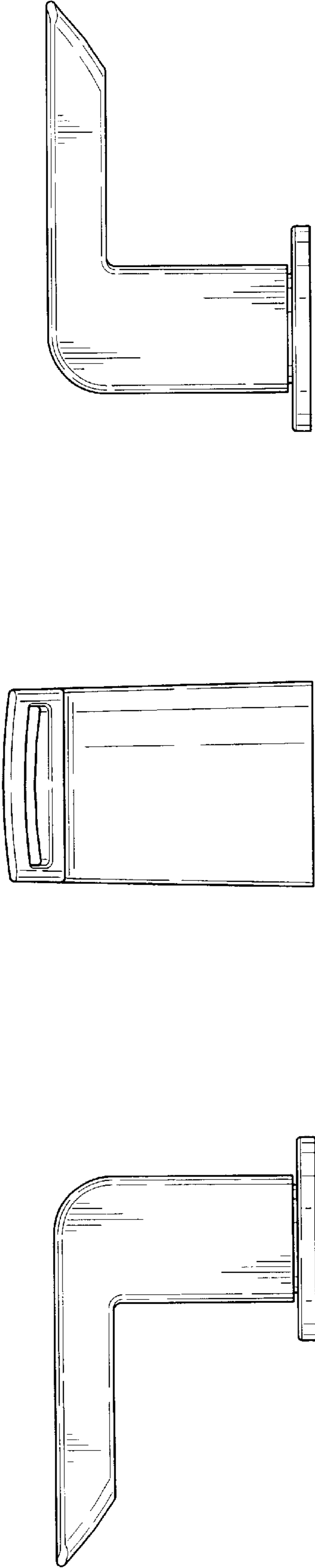


FIG. 2

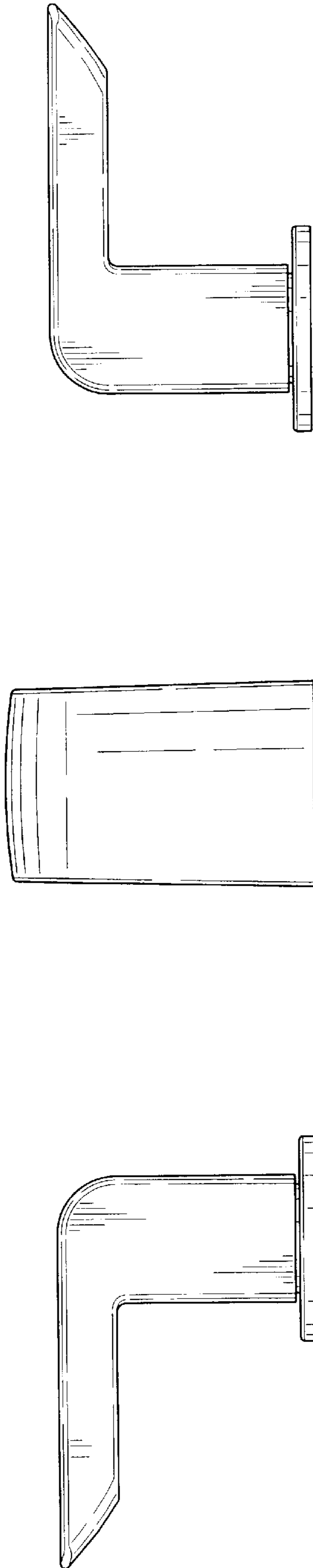
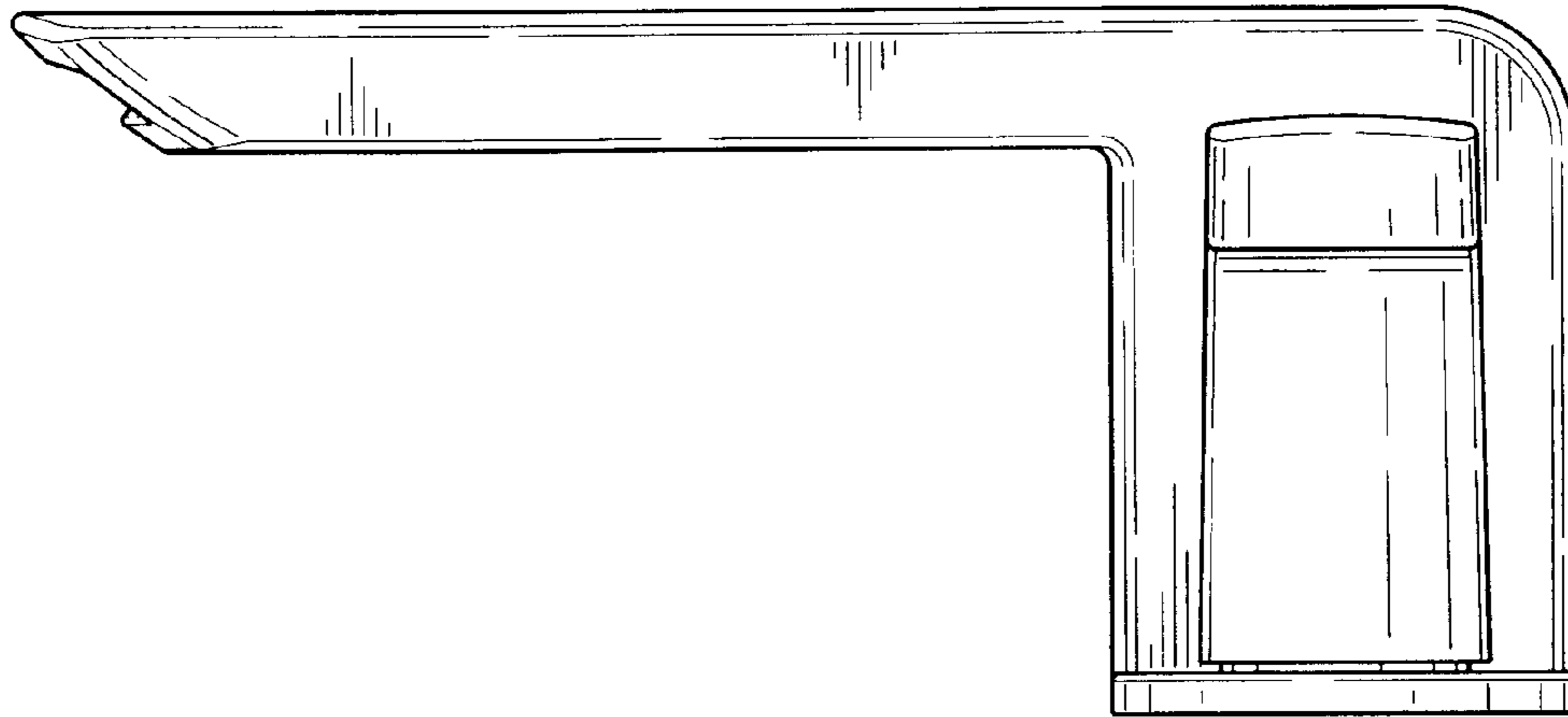
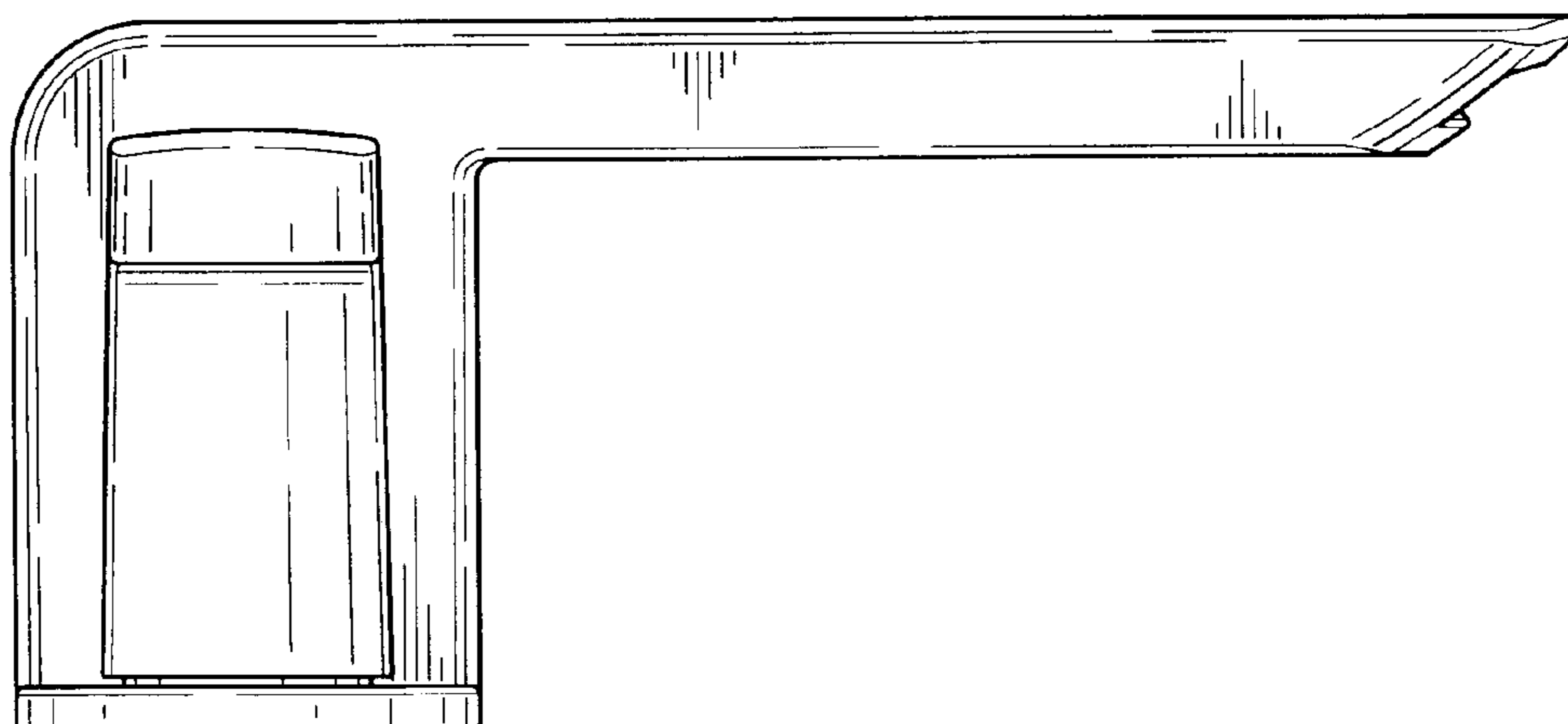


FIG. 3



*FIG. 4*



*FIG. 5*

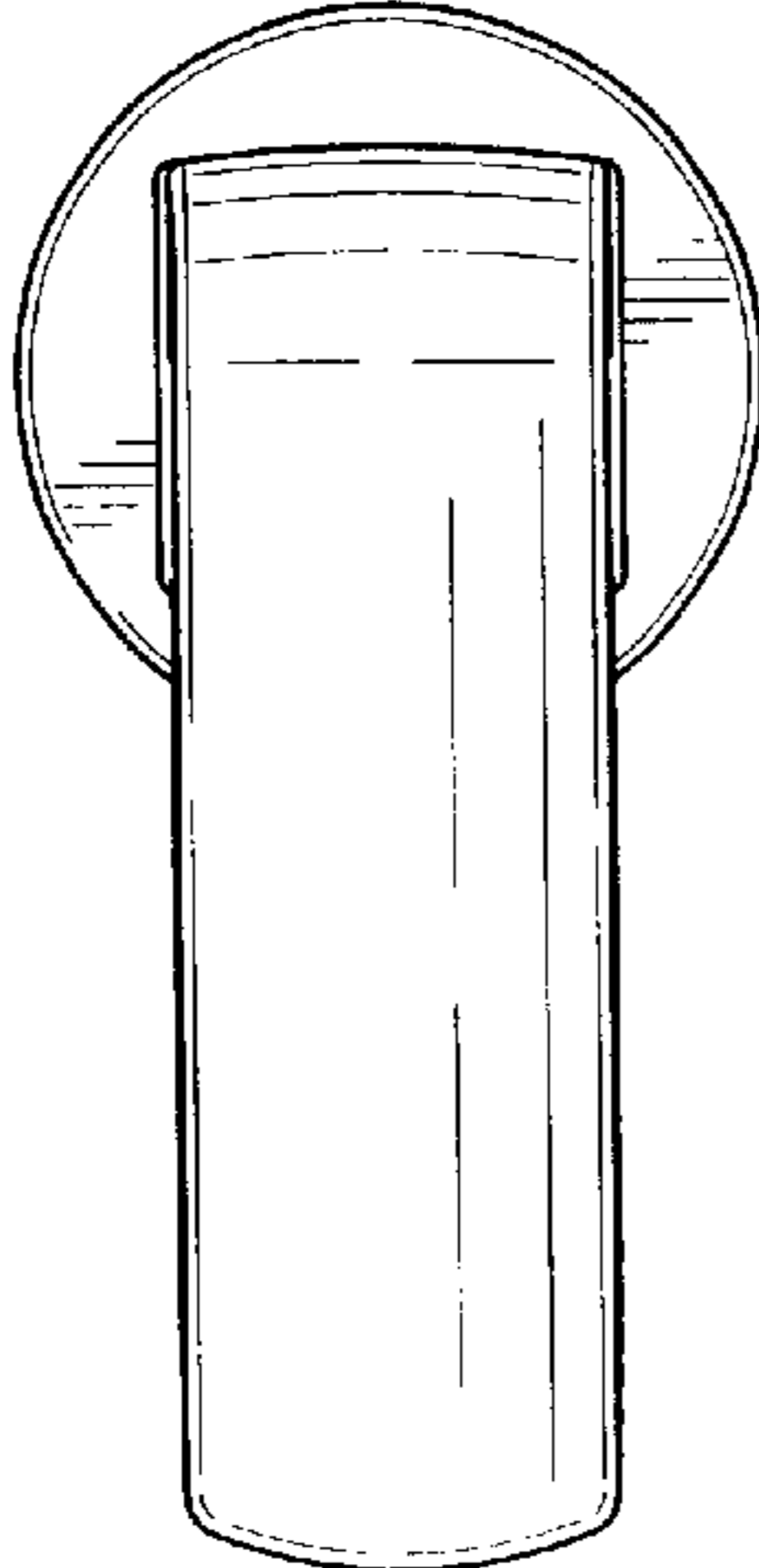
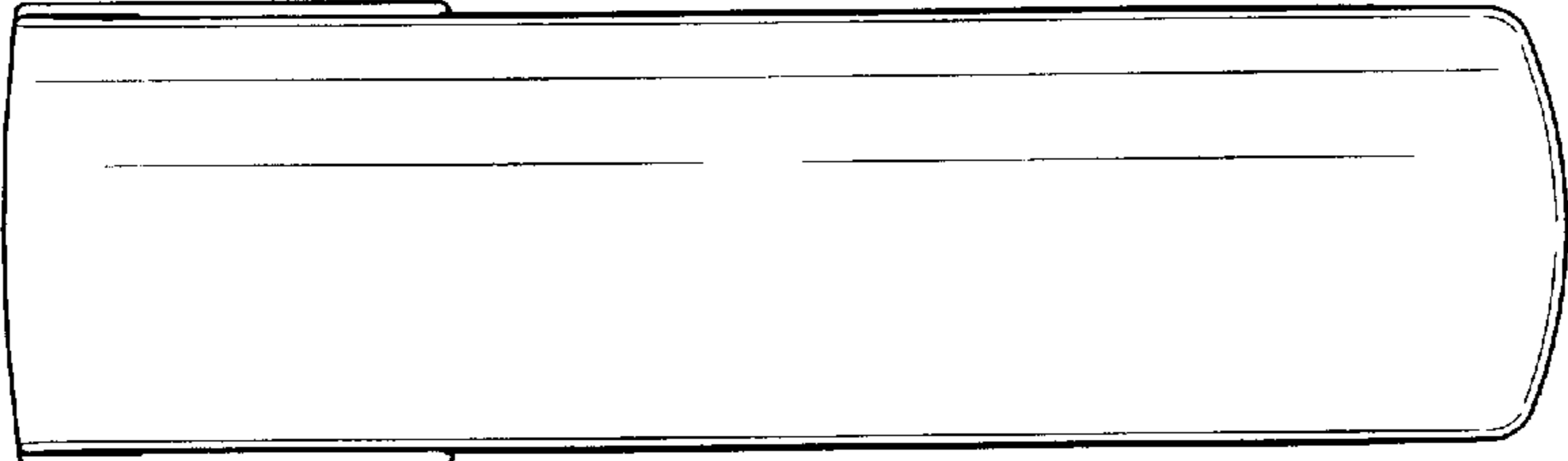
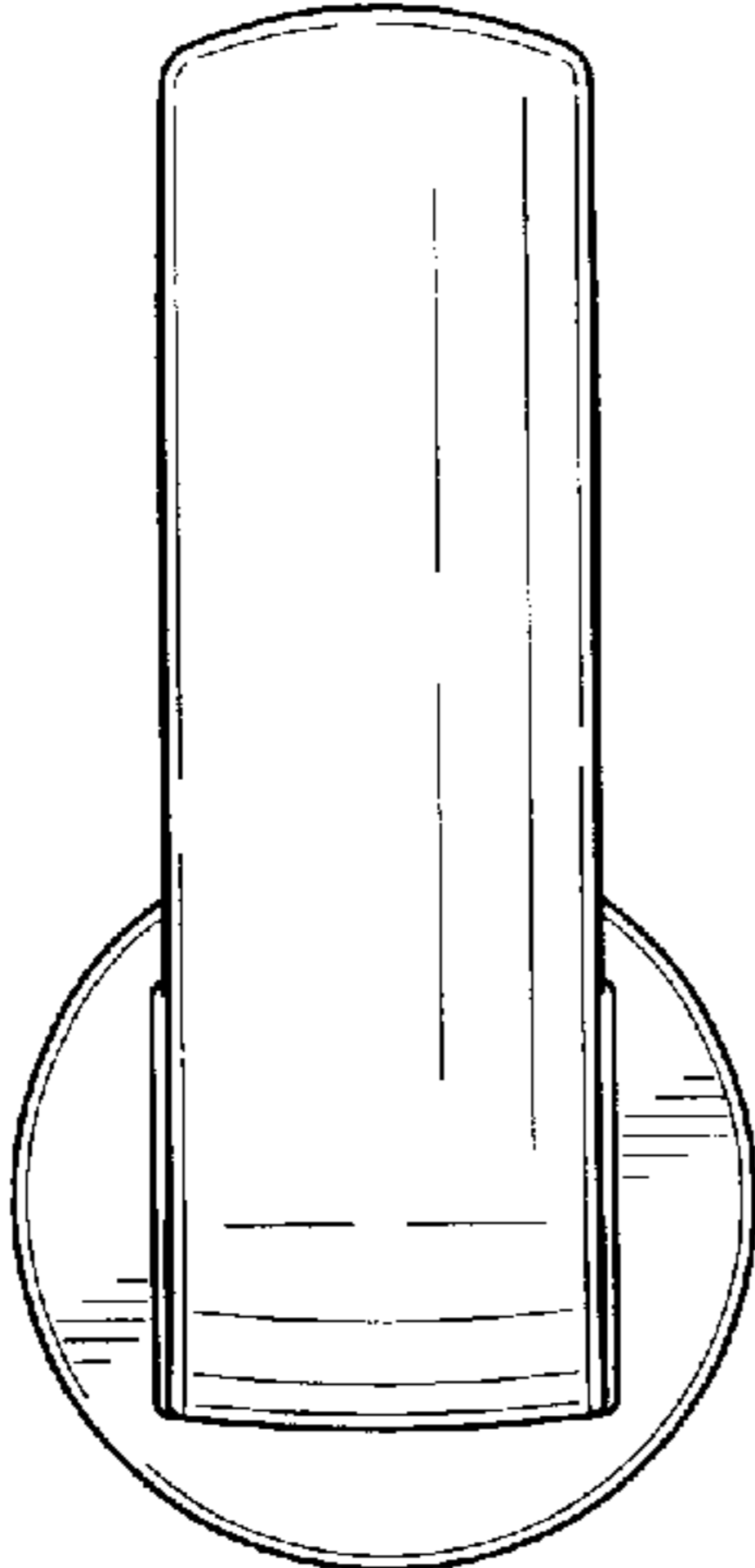


FIG. 6

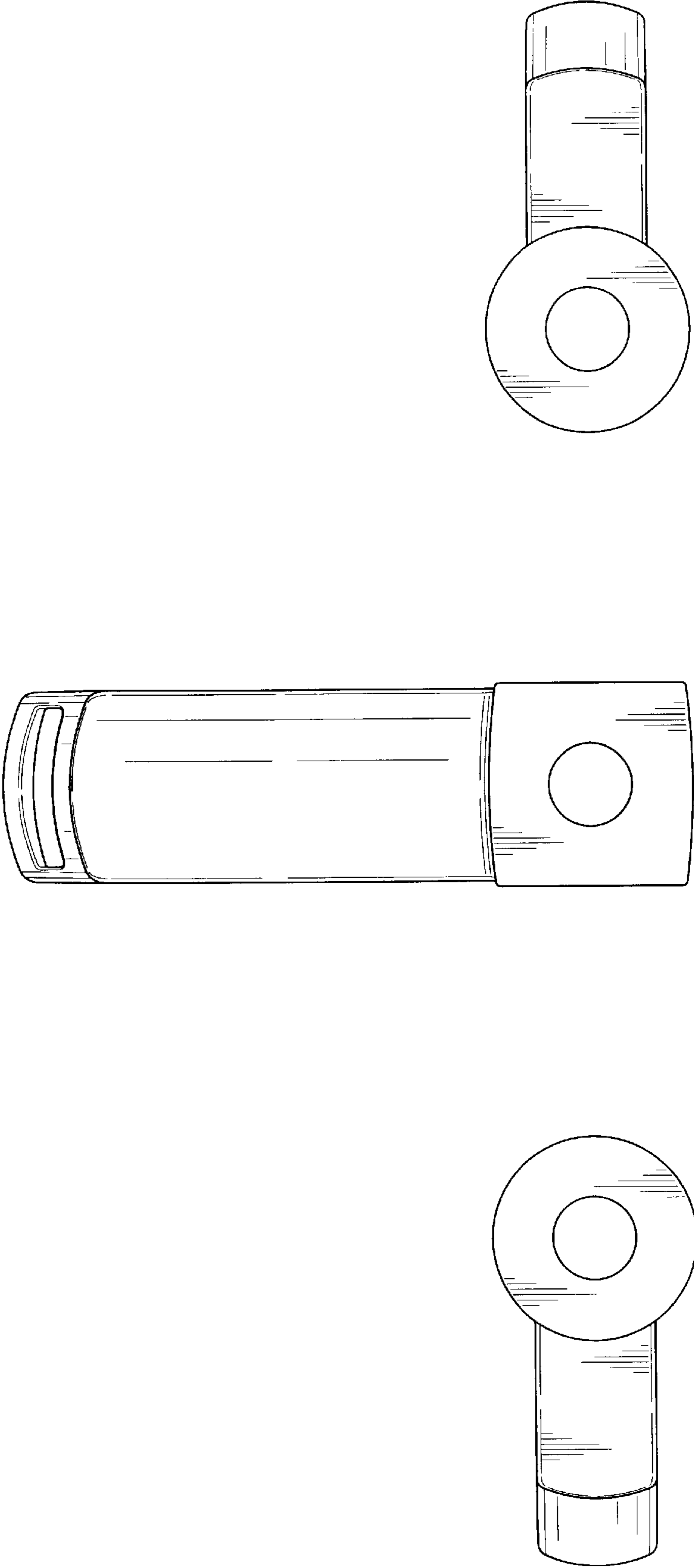


FIG. 7