



US00D517653S

(12) **United States Design Patent**  
**Ito**

(10) **Patent No.:** **US D517,653 S**  
(45) **Date of Patent:** **\*\* Mar. 21, 2006**

(54) **FAUCET**

(75) **Inventor:** **Tomoyuki Ito, Kitakyushu (JP)**

(73) **Assignee:** **Toto Ltd., Kitakyushu (JP)**

(\*\*) **Term:** **14 Years**

(21) **Appl. No.:** **29/229,206**

(22) **Filed:** **May 5, 2005**

(51) **LOC (8) Cl. .... 23-01**

(52) **U.S. Cl. .... D23/238**

(58) **Field of Classification Search ..... D23/238-257;**  
**4/675-678; 137/801**

See application file for complete search history.

(56) **References Cited**

**U.S. PATENT DOCUMENTS**

- D301,162 S \* 5/1989 Oberdorfer ..... D23/238
- D309,655 S \* 7/1990 Reinecke ..... D23/238
- D394,698 S \* 5/1998 Krause ..... D23/238
- D410,067 S \* 5/1999 Gottwald ..... D23/238

- D410,735 S \* 6/1999 Gottwald ..... D23/238
- D416,077 S \* 11/1999 Fleischmann ..... D23/238
- D441,429 S \* 5/2001 Mullenmeister ..... D23/238

\* cited by examiner

*Primary Examiner*—Louis S. Zarfes

*Assistant Examiner*—G. Andoll

(74) *Attorney, Agent, or Firm*—Birch, Stewart, Kolasch & Birch, LLP

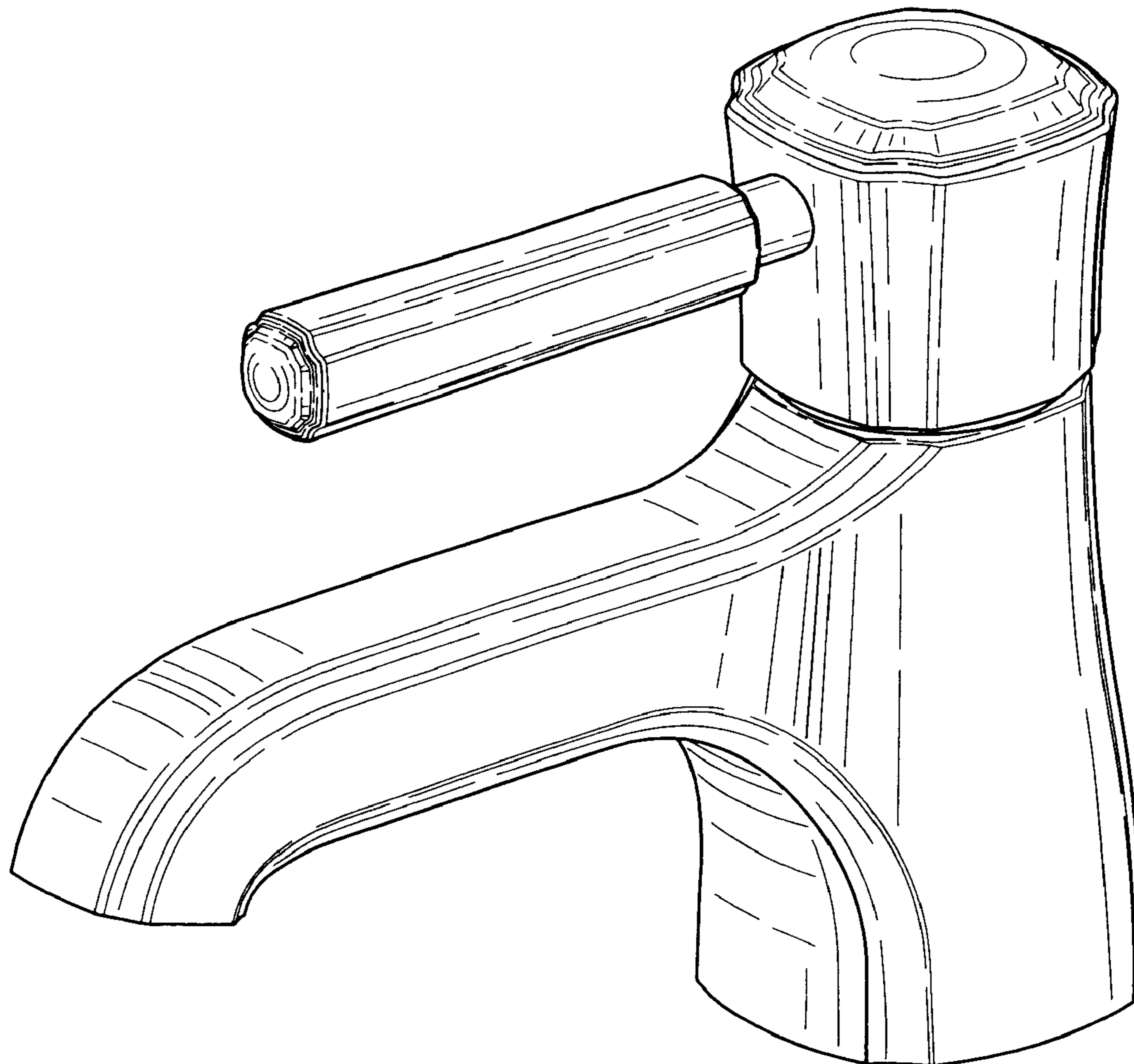
(57) **CLAIM**

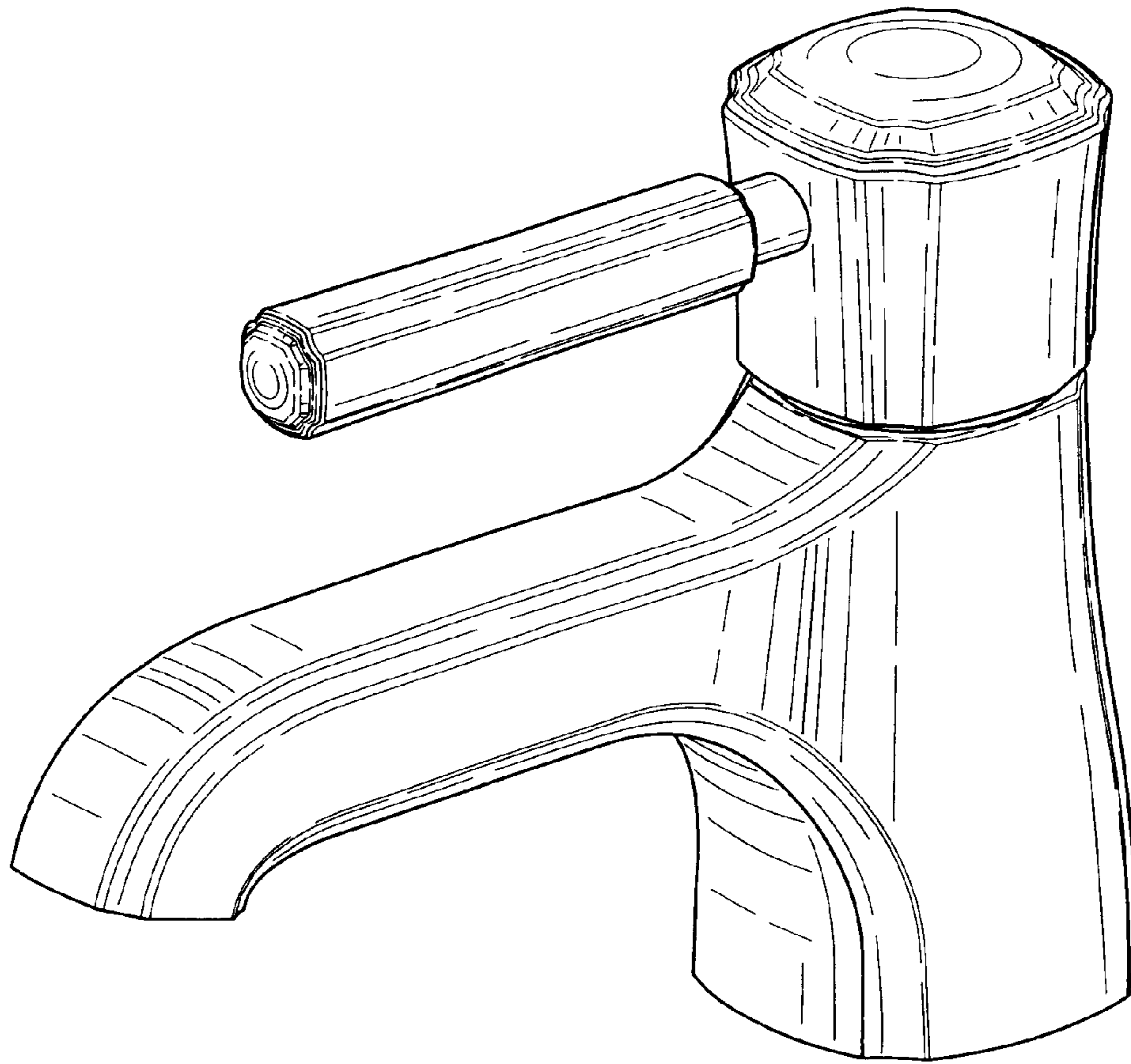
The ornamental design for a faucet, as shown and described.

**DESCRIPTION**

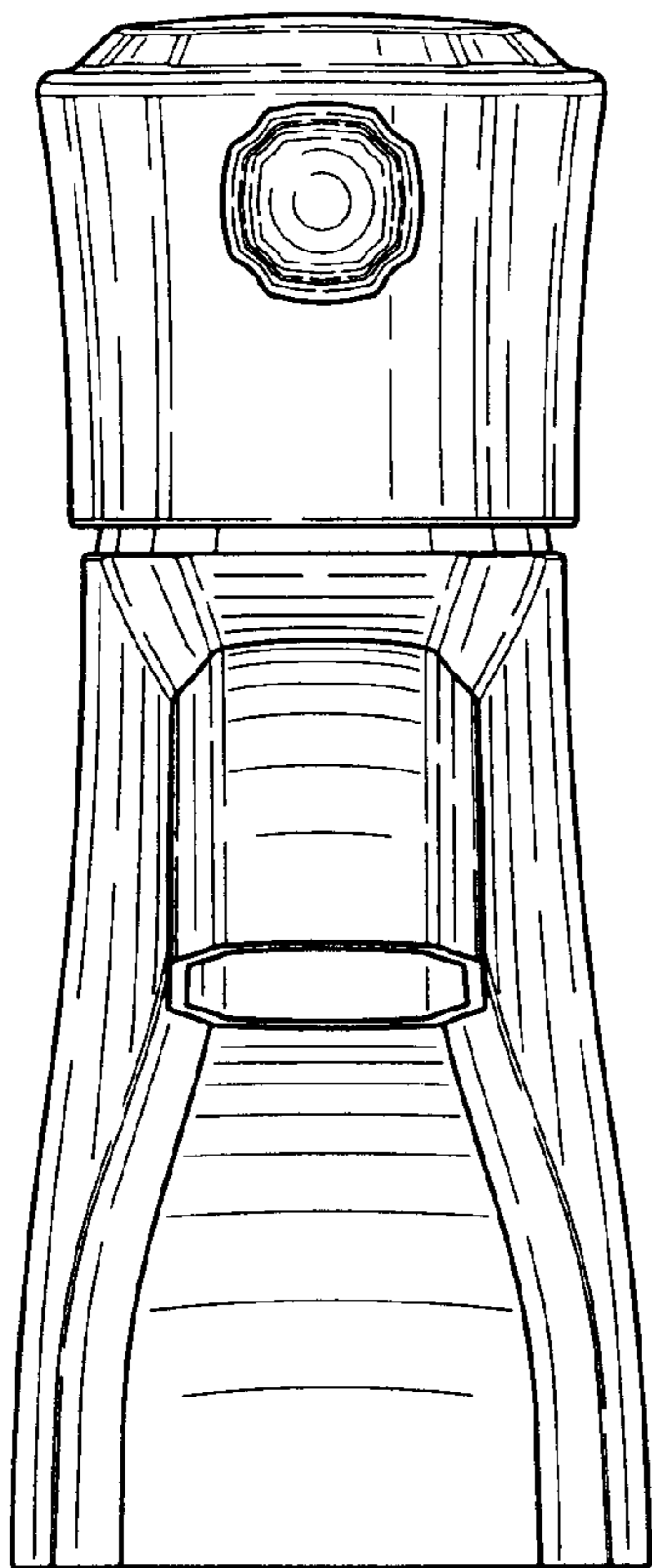
FIG. 1 is a perspective view of the top, front and right side of a faucet showing my new design; FIG. 2 is a front view thereof; FIG. 3 is a rear view thereof; FIG. 4 is a right side view thereof; FIG. 5 is a left side view thereof; FIG. 6 is a top plan view thereof; and, FIG. 7 is a bottom view thereof.

**1 Claim, 4 Drawing Sheets**

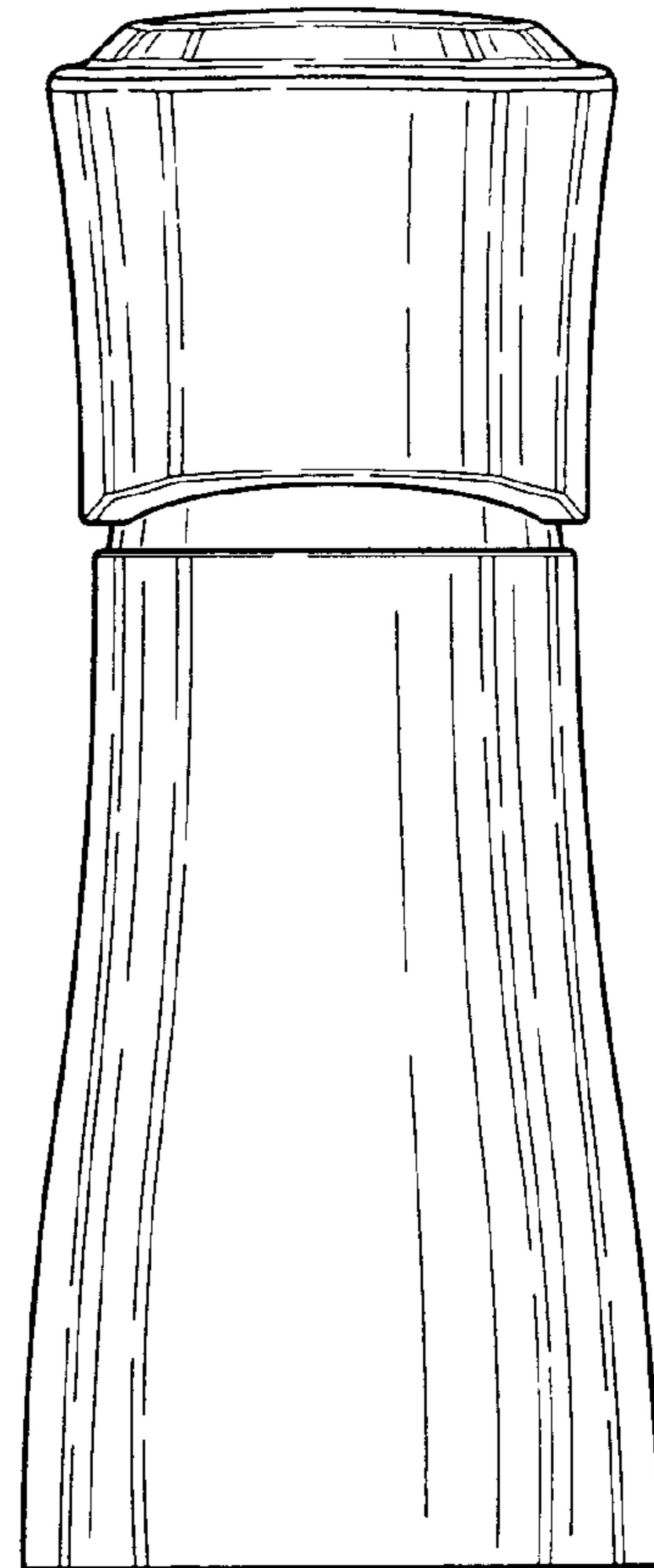




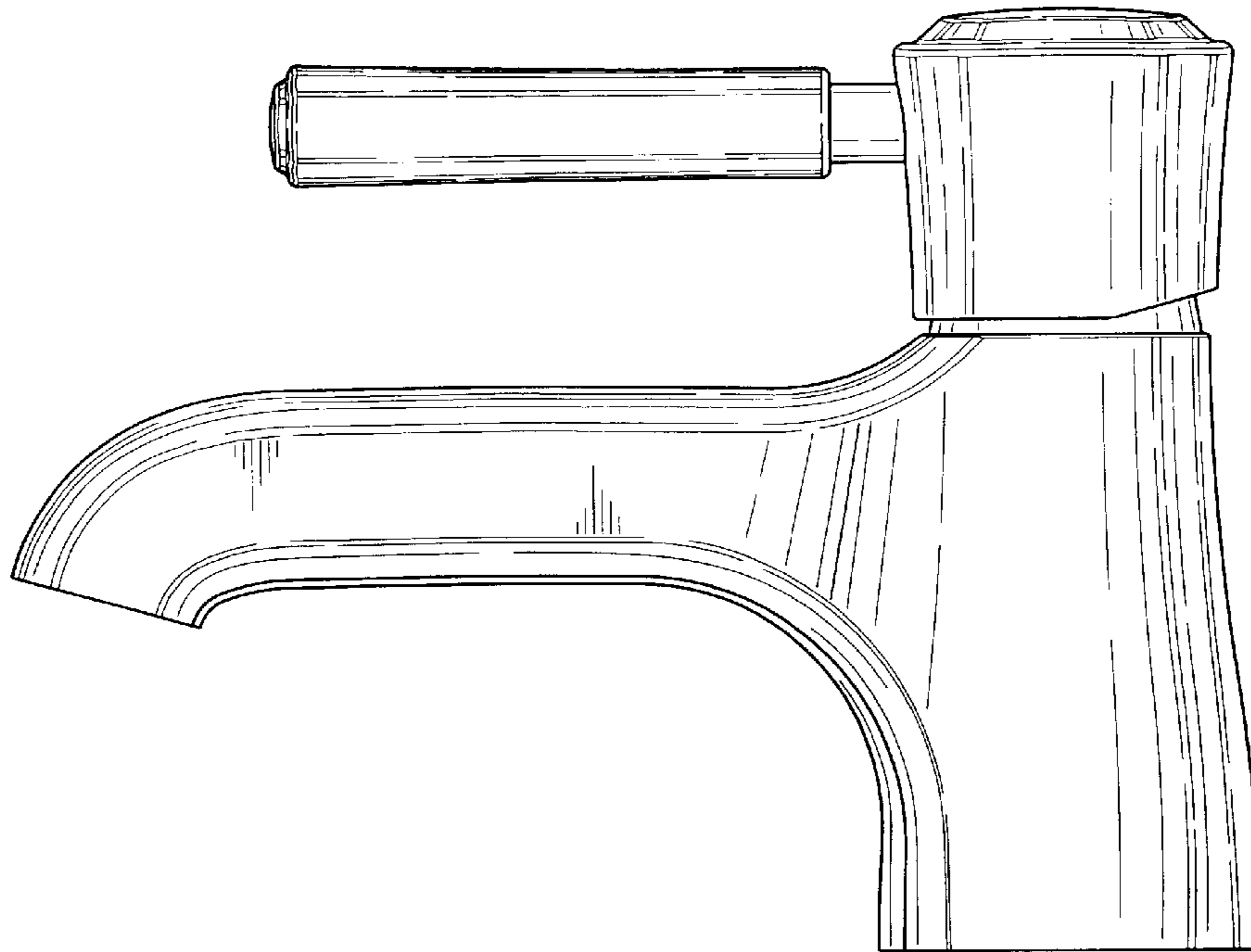
*FIG. 1*



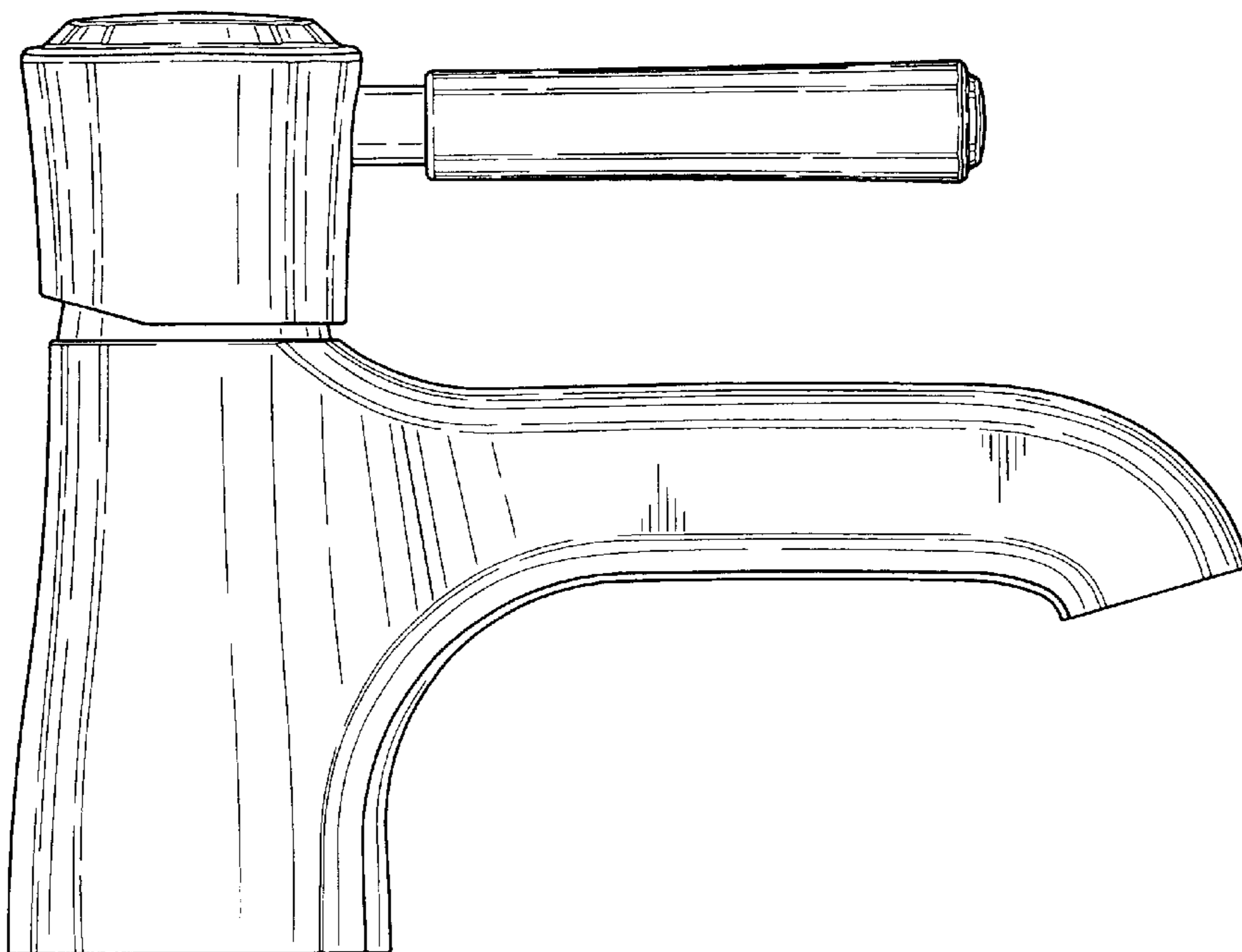
*FIG. 2*



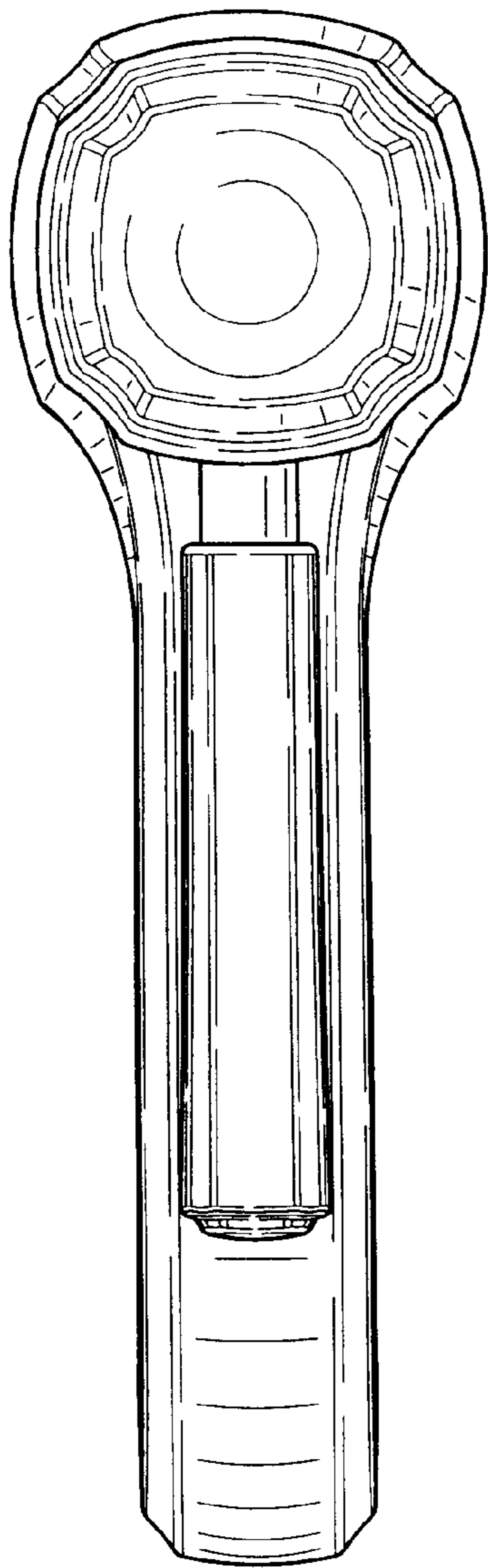
*FIG. 3*



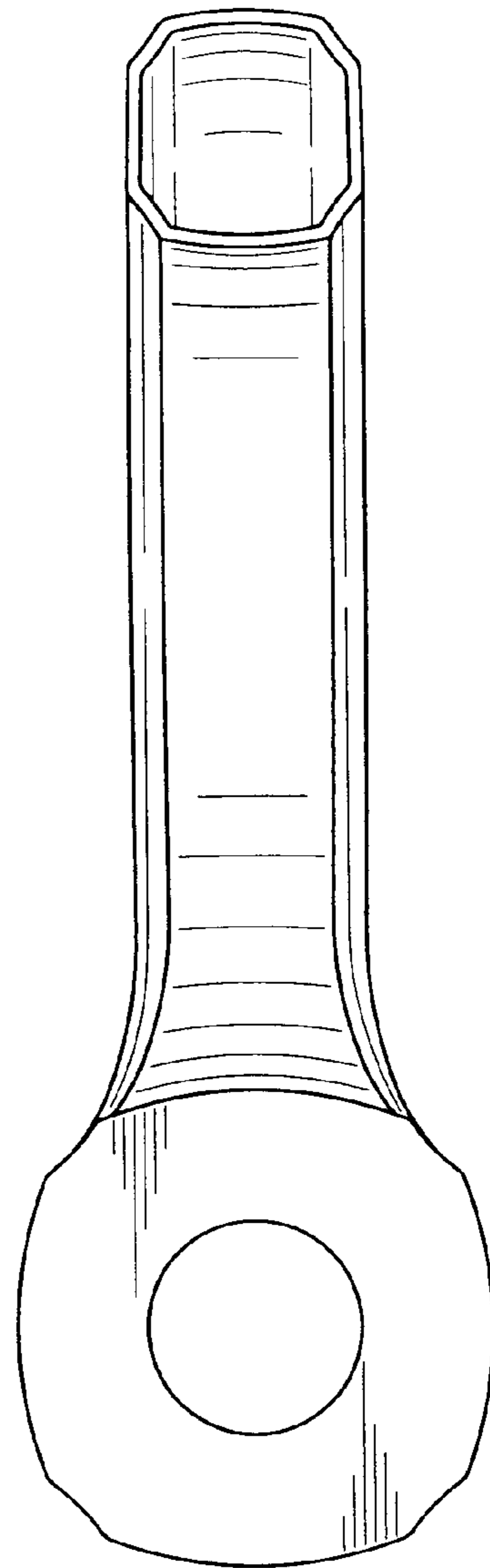
*FIG. 4*



*FIG. 5*



*FIG. 6*



*FIG. 7*