



US00D517652S

(12) **United States Design Patent**
Egli et al.

(10) **Patent No.:** **US D517,652 S**
(45) **Date of Patent:** **** Mar. 21, 2006**

(54) **WATER FAUCET**

(75) Inventors: **Werner Egli**, Hüntwangen (CH);
Winfried Noth, Schwäbisch Gmünd
(DE)

(73) Assignee: **arwa, AG**, Wallisellen (CH)

(**) Term: **14 Years**

(21) Appl. No.: **29/224,177**

(22) Filed: **Feb. 28, 2005**

(30) **Foreign Application Priority Data**

Aug. 31, 2004 (CH) 131145

(51) **LOC (8) Cl.** **23-01**

(52) **U.S. Cl.** **D23/238**

(58) **Field of Classification Search** D23/238-257;
4/675; 137/801

See application file for complete search history.

(56) **References Cited**

U.S. PATENT DOCUMENTS

D468,398 S	*	1/2003	Ziemann	D23/238
D472,961 S	*	4/2003	Ziemann	D23/238
D473,630 S	*	4/2003	Wettstein et al.	D23/238
D479,309 S	*	9/2003	Haug et al.	D23/238
D479,310 S	*	9/2003	Ziemann	D23/238

* cited by examiner

Primary Examiner—Louis S. Zarfes

Assistant Examiner—G. Andoll

(74) *Attorney, Agent, or Firm*—Sughrue Mion, PLLC

(57) **CLAIM**

The ornamental design for a water faucet, as shown.

DESCRIPTION

FIG. 1 is a perspective view of the top, front, and right side of a water faucet showing our new design;

FIG. 2 is a front elevational view thereof;

FIG. 3 is a rear elevational view thereof;

FIG. 4 is a right side elevational view thereof;

FIG. 5 is a left side elevational view thereof;

FIG. 6 is a top plan view thereof;

FIG. 7 is a bottom view thereof;

FIG. 8 is a perspective view of the top, front, and right side of a water faucet showing a variation of our new design.

FIG. 9 is a front elevational view thereof;

FIG. 10 is a rear elevational view thereof;

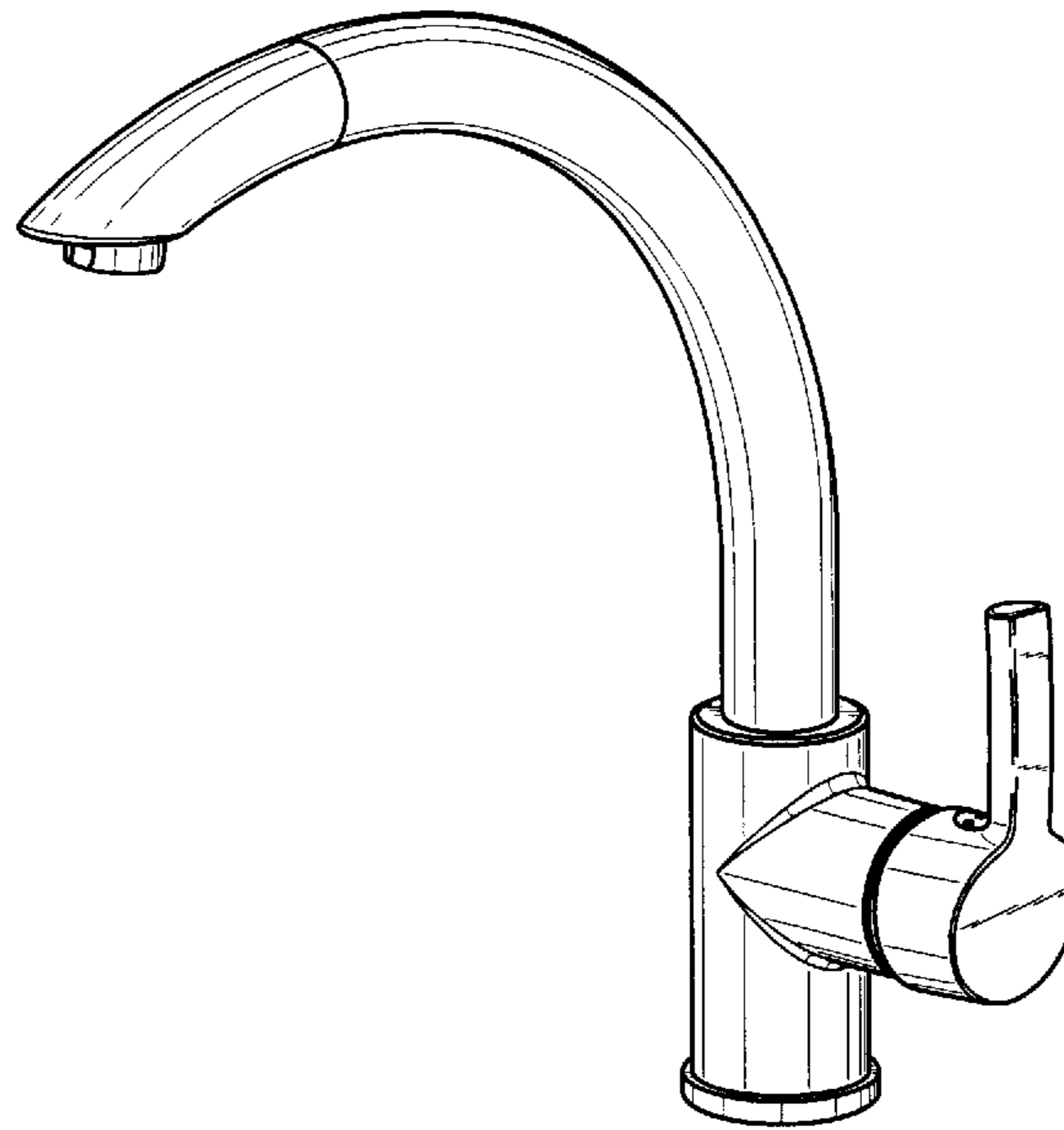
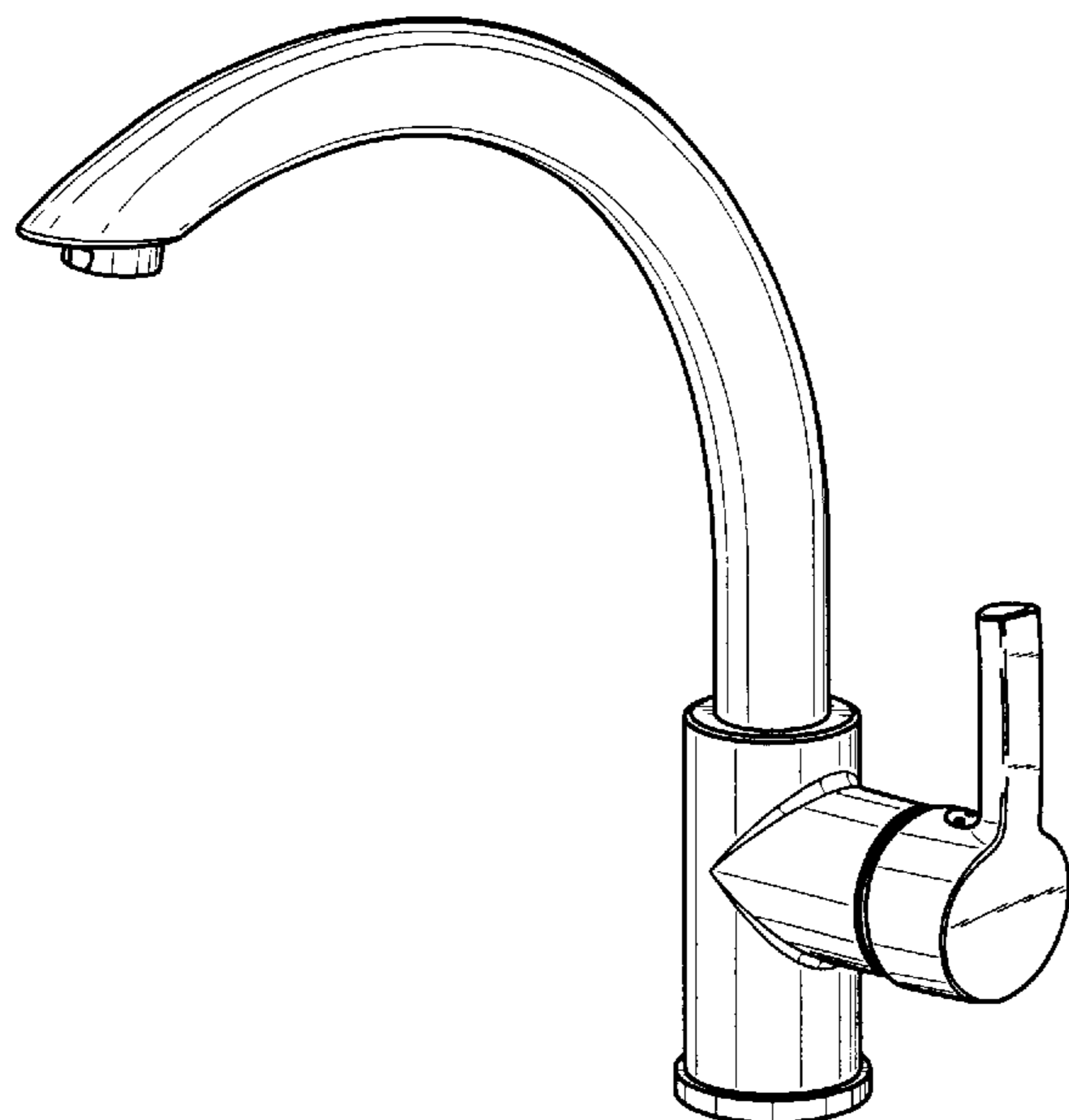
FIG. 11 is a right side elevational view thereof;

FIG. 12 is a left side elevational view thereof;

FIG. 13 is a top plan view thereof; and,

FIG. 14 is a bottom view thereof.

1 Claim, 8 Drawing Sheets



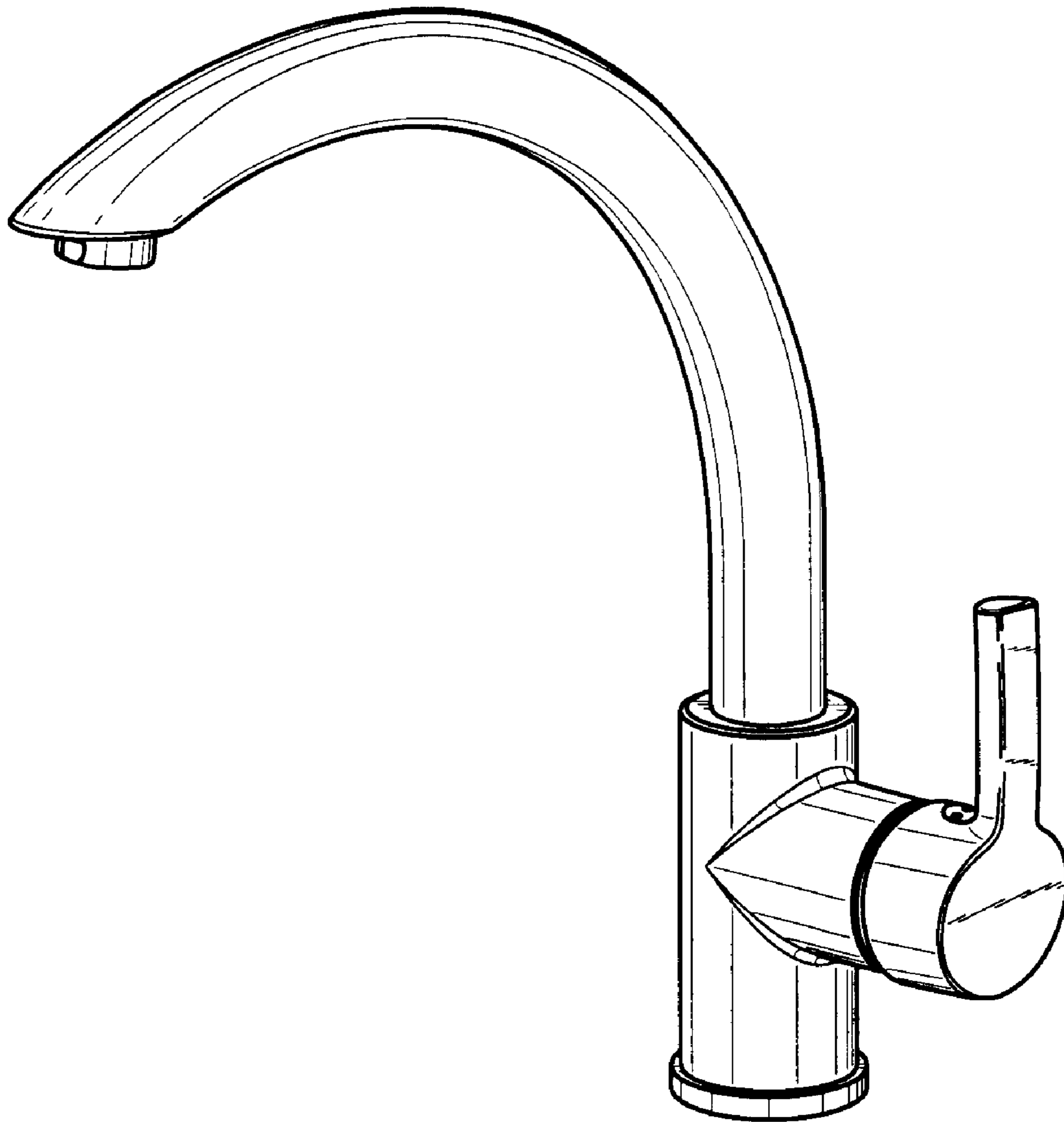


Fig. 1

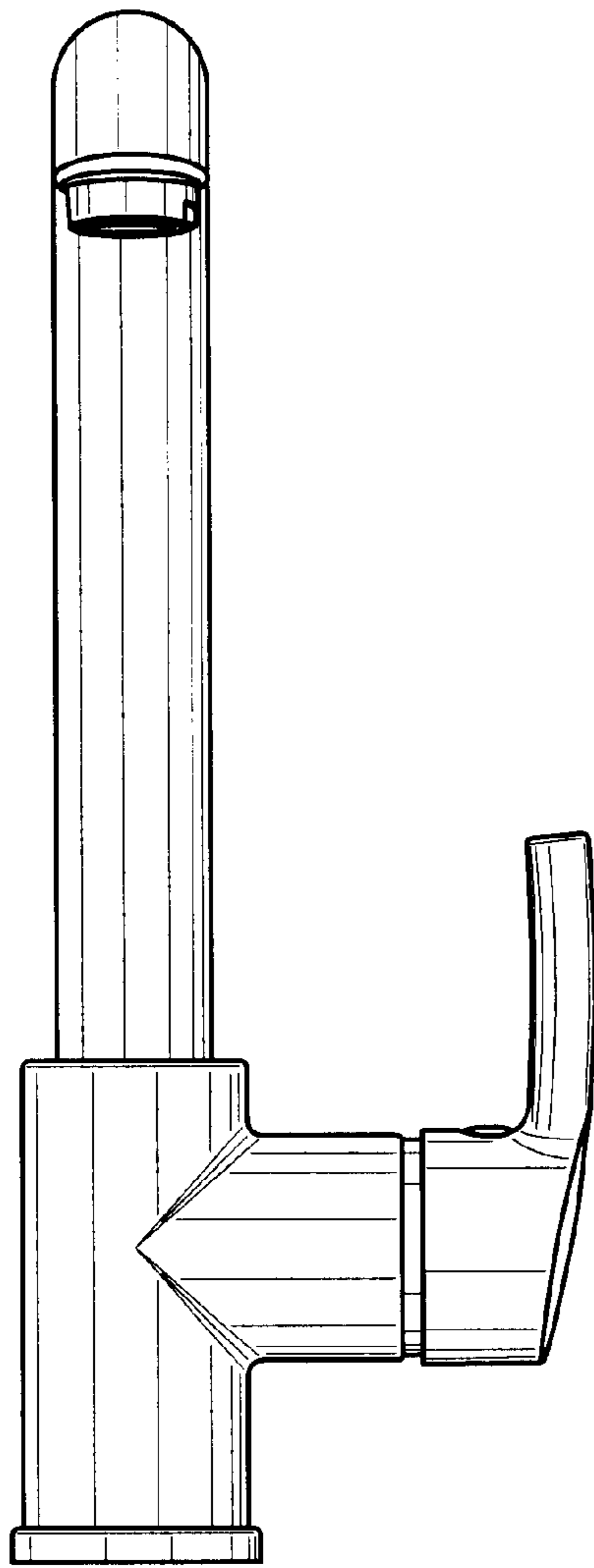


Fig. 2

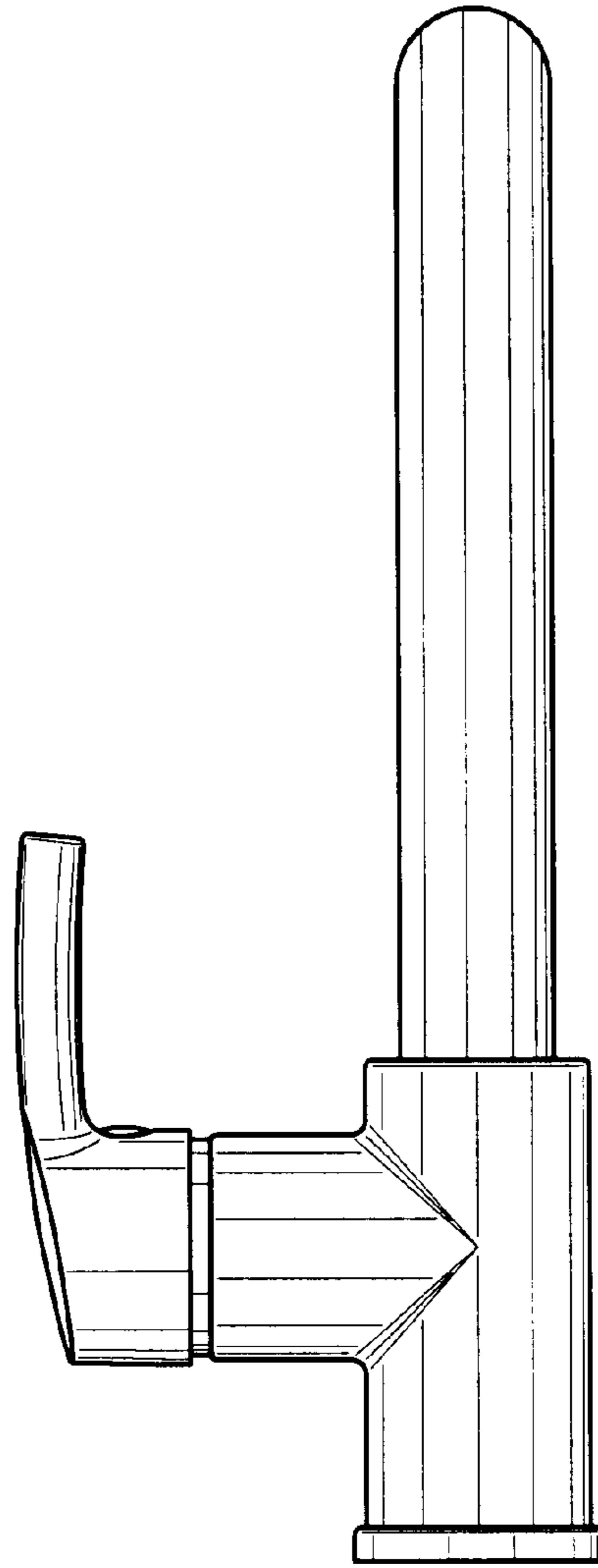


Fig. 3

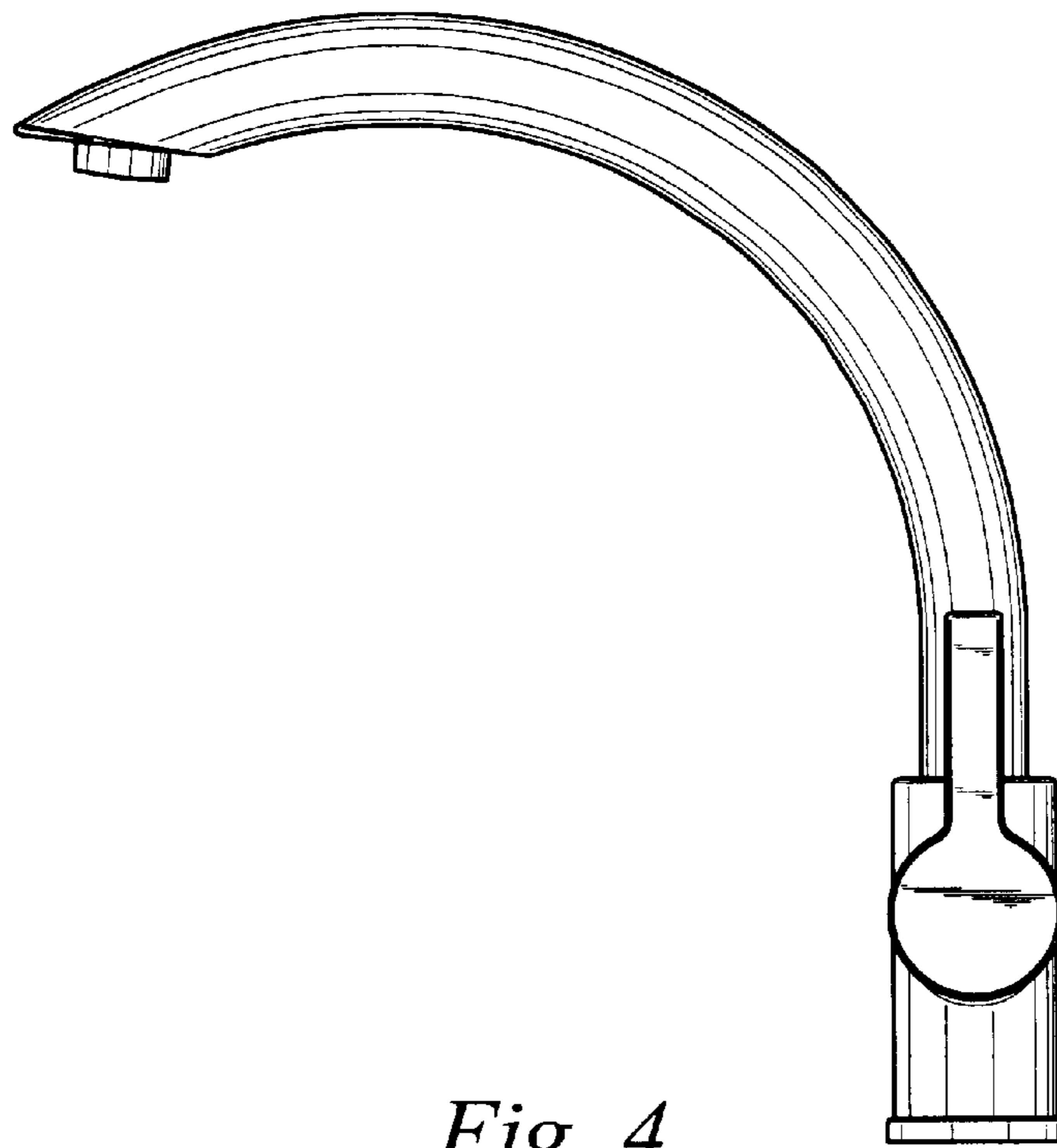


Fig. 4

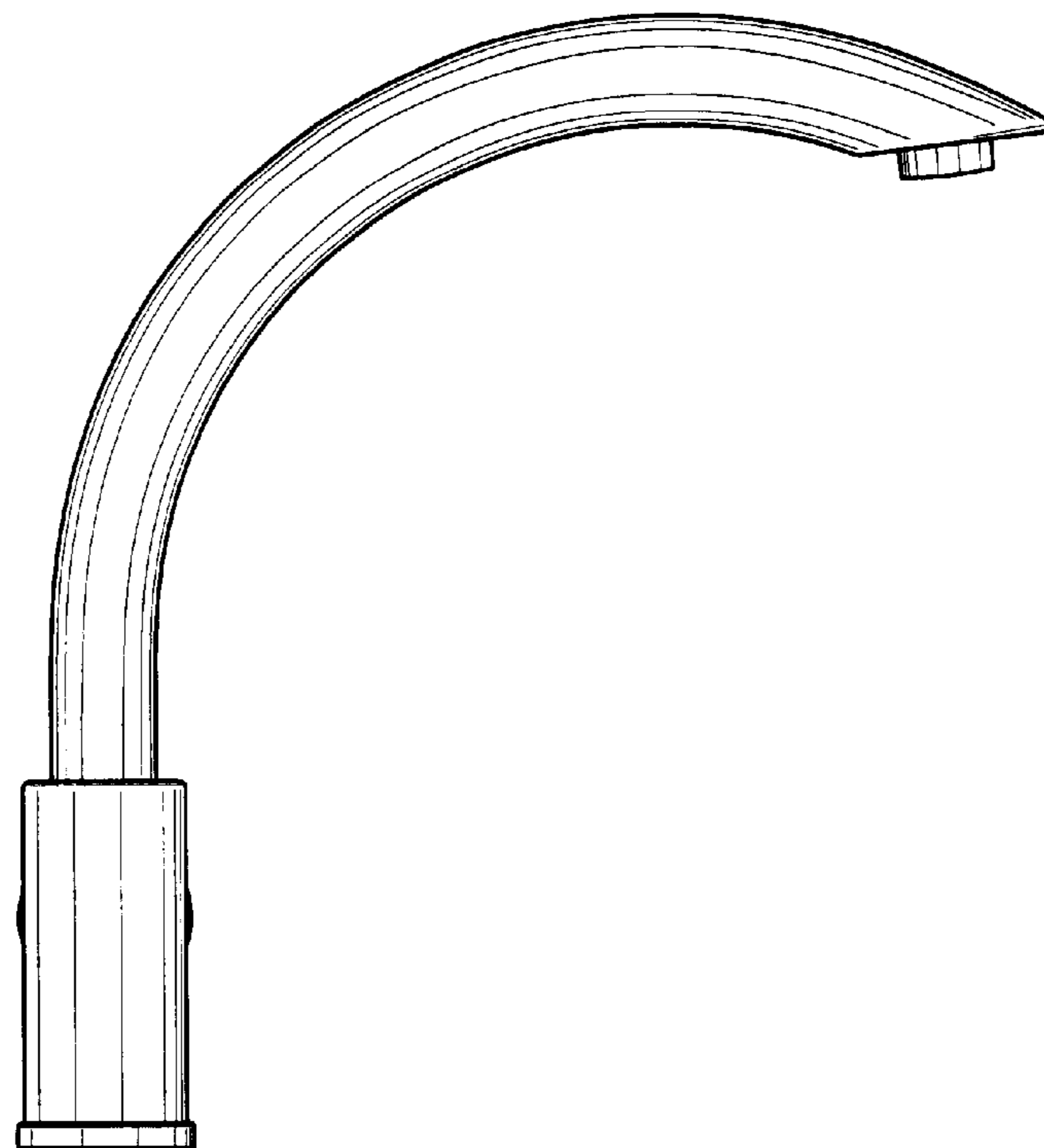


Fig. 5

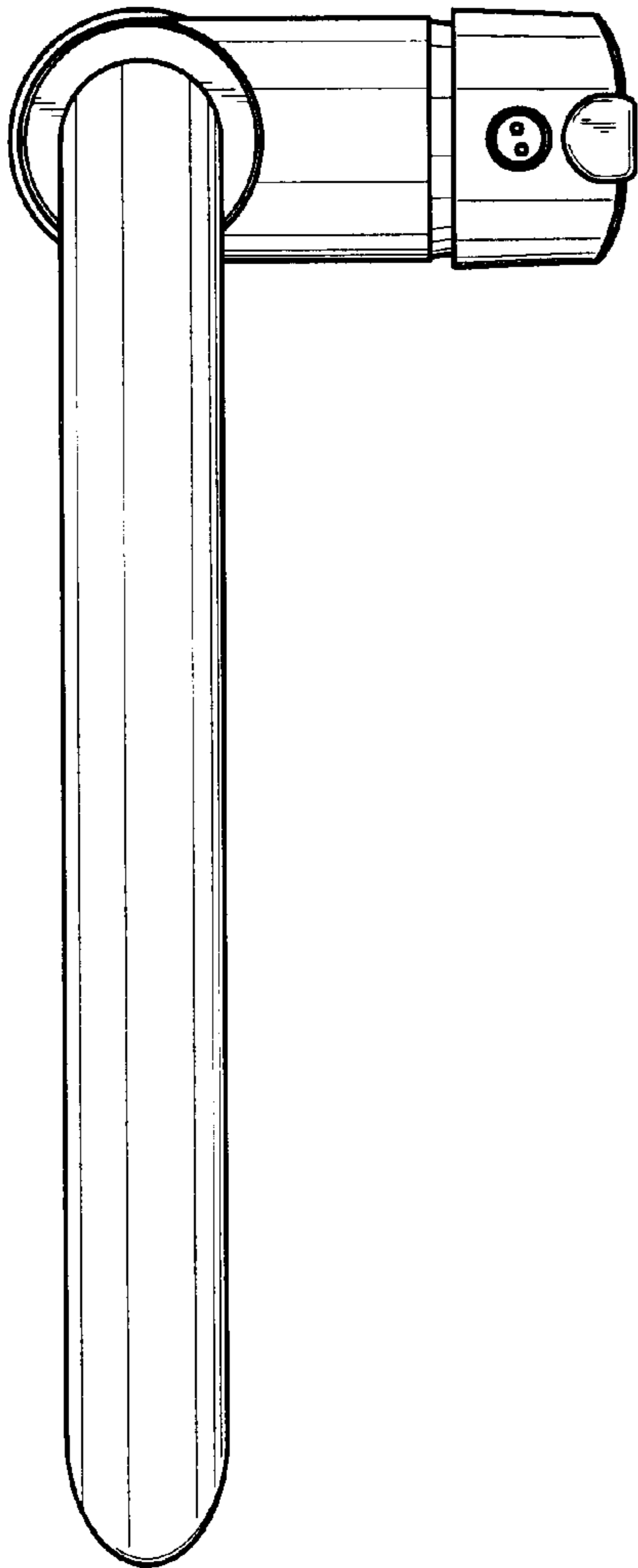


Fig. 6

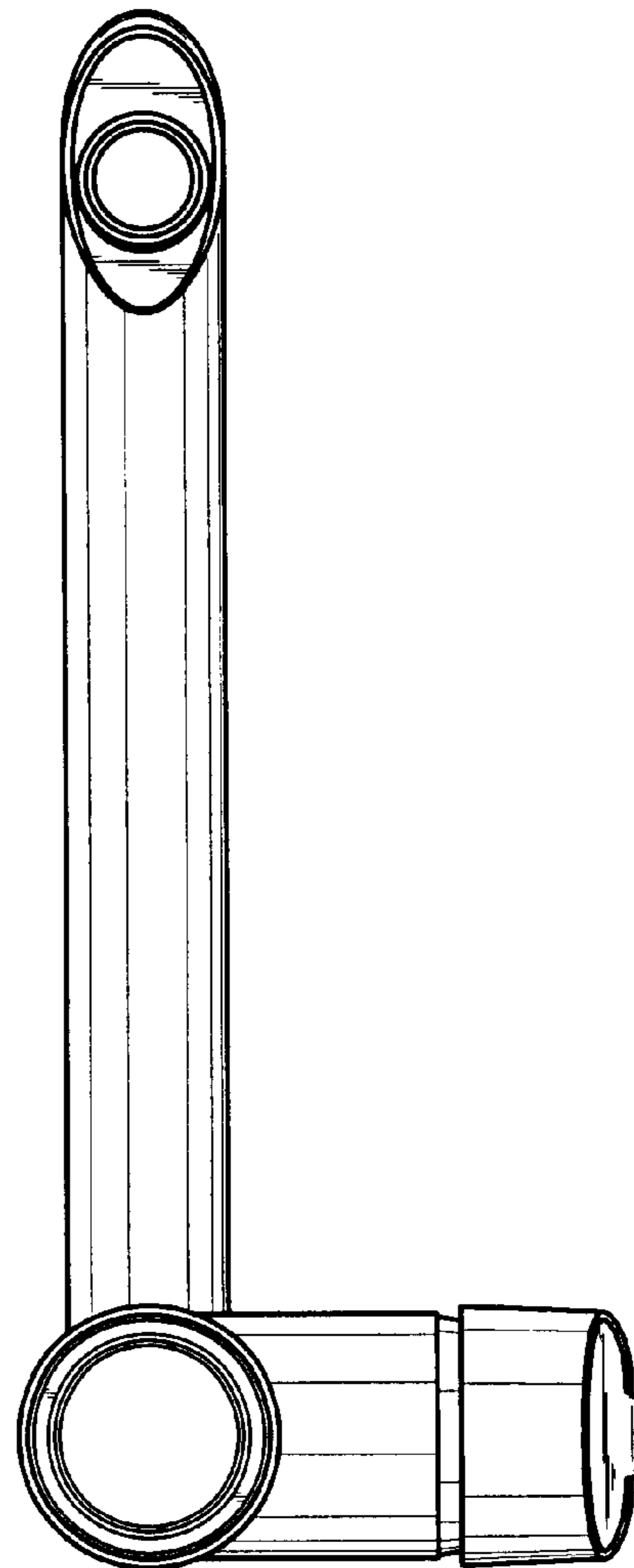


Fig. 7

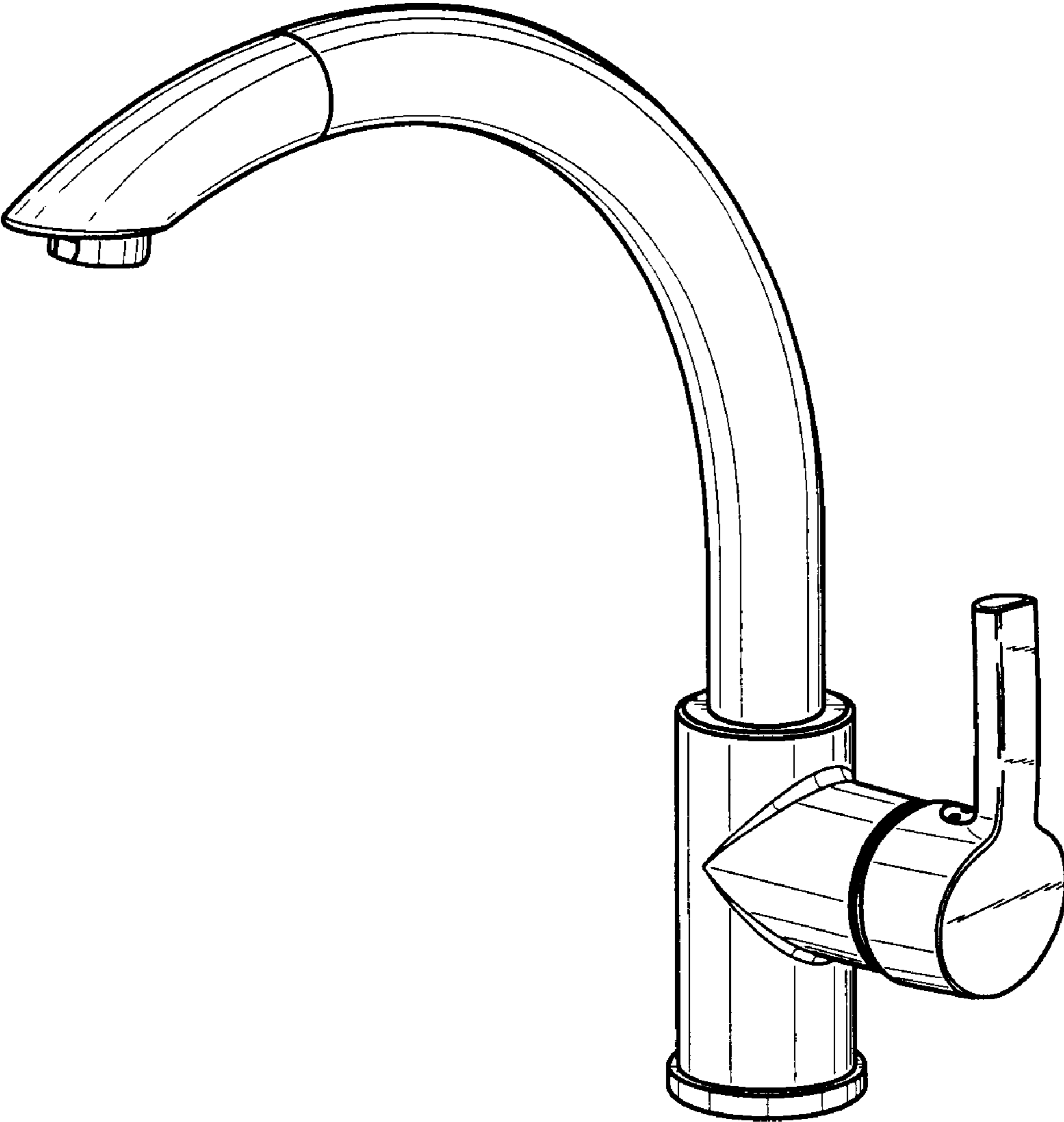


Fig. 8

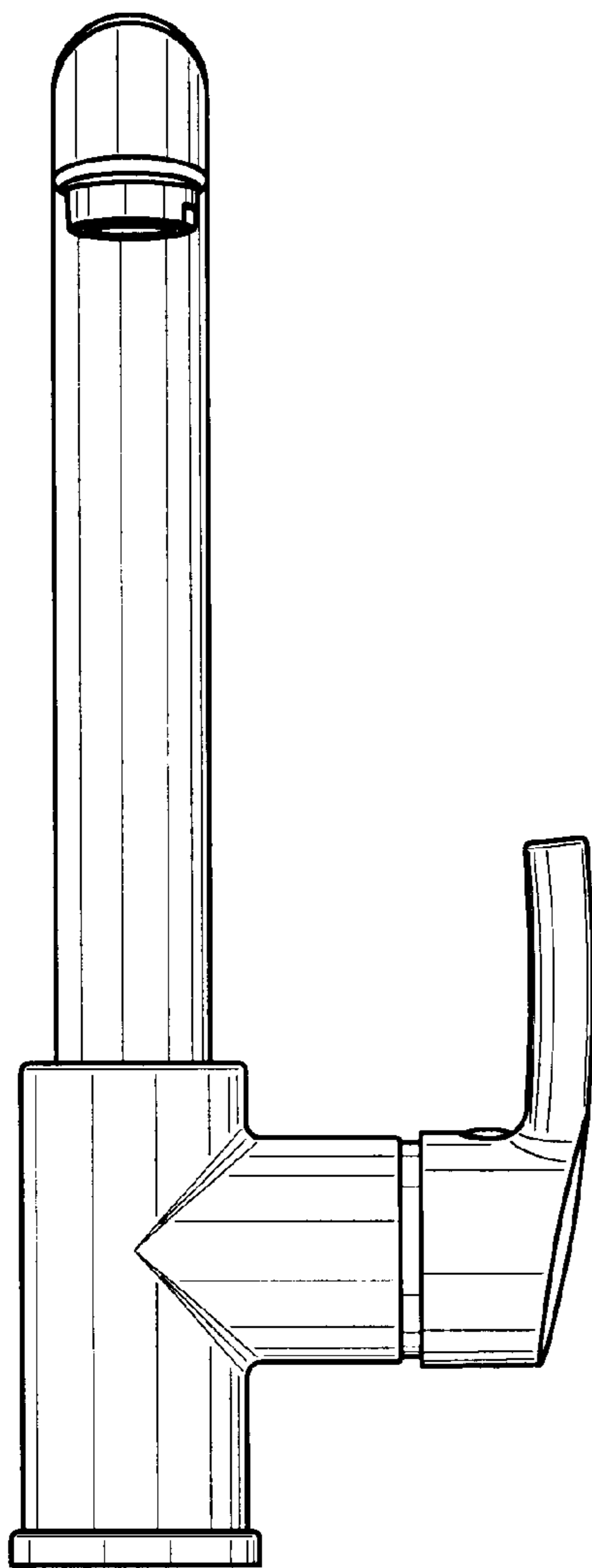


Fig. 9

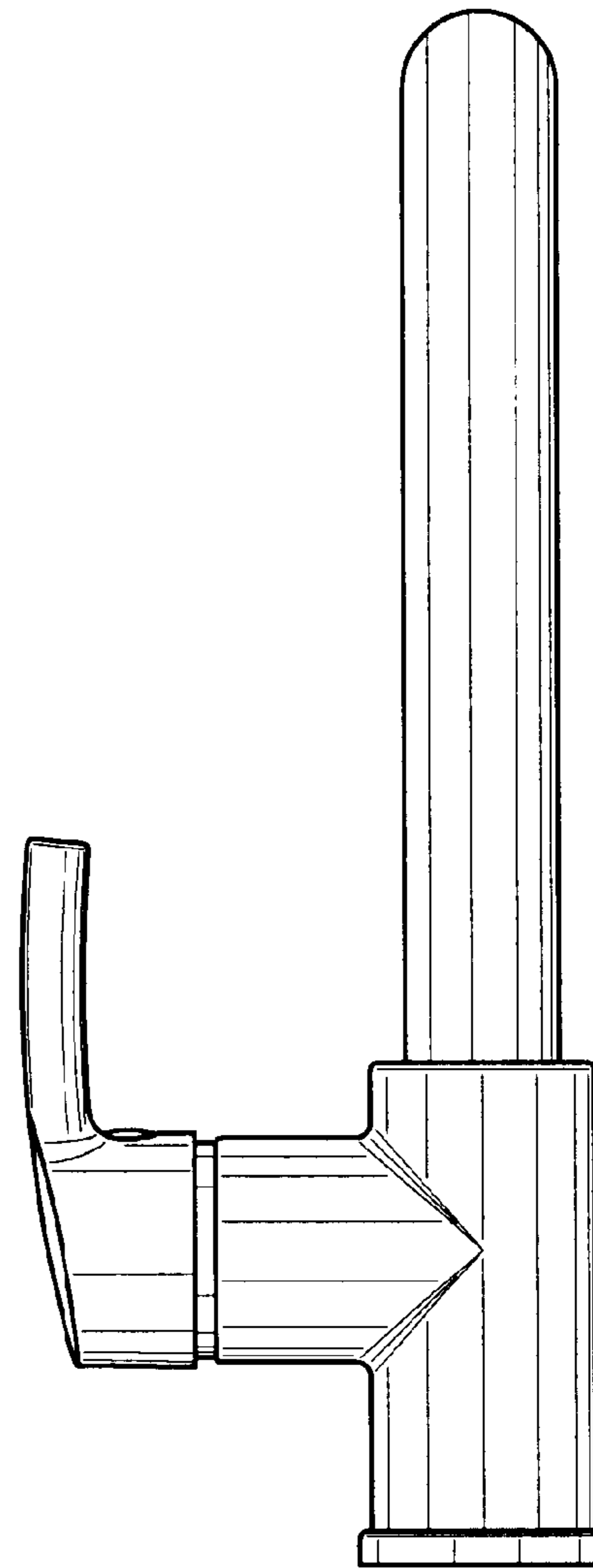


Fig. 10

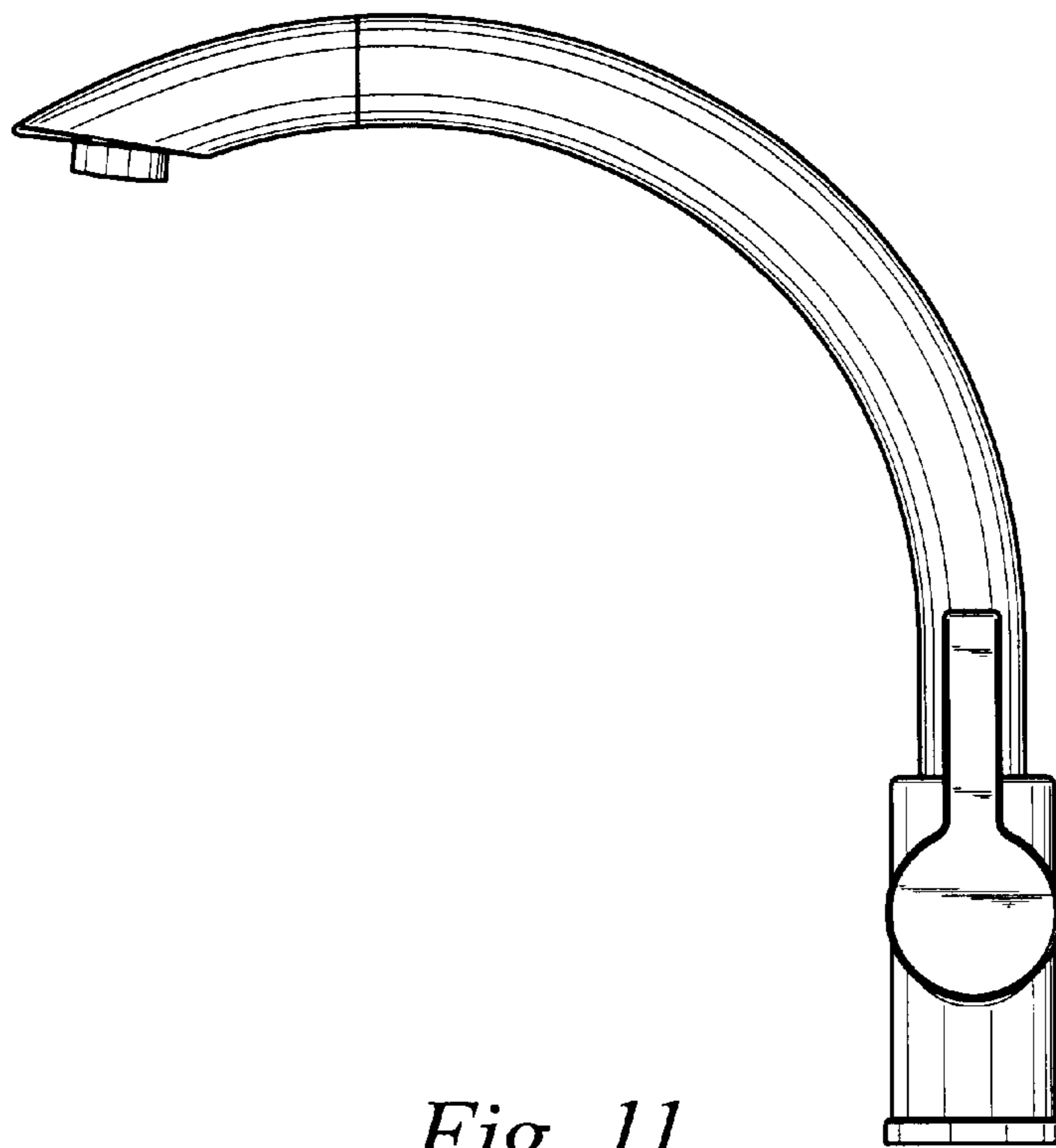


Fig. 11

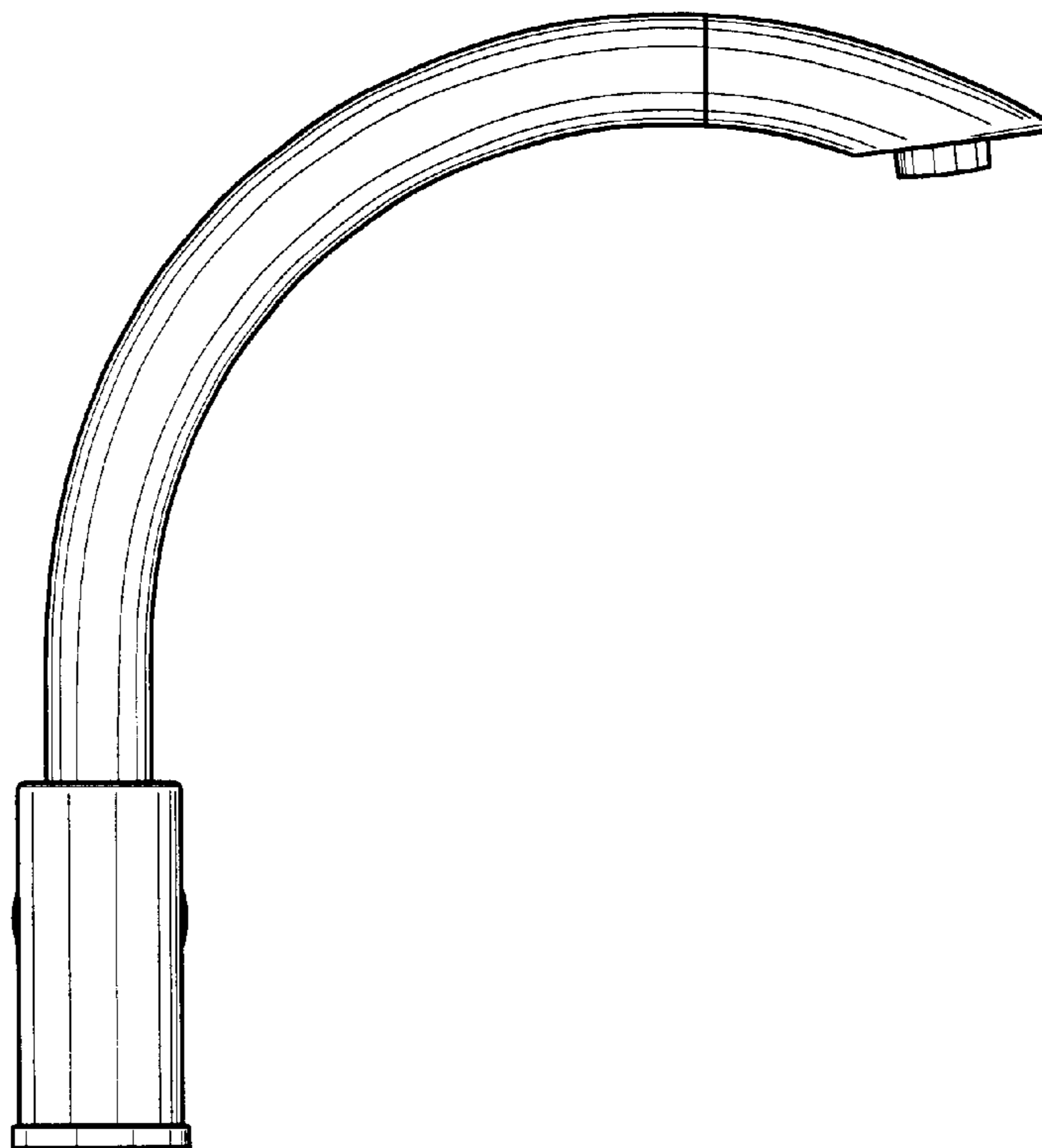


Fig. 12

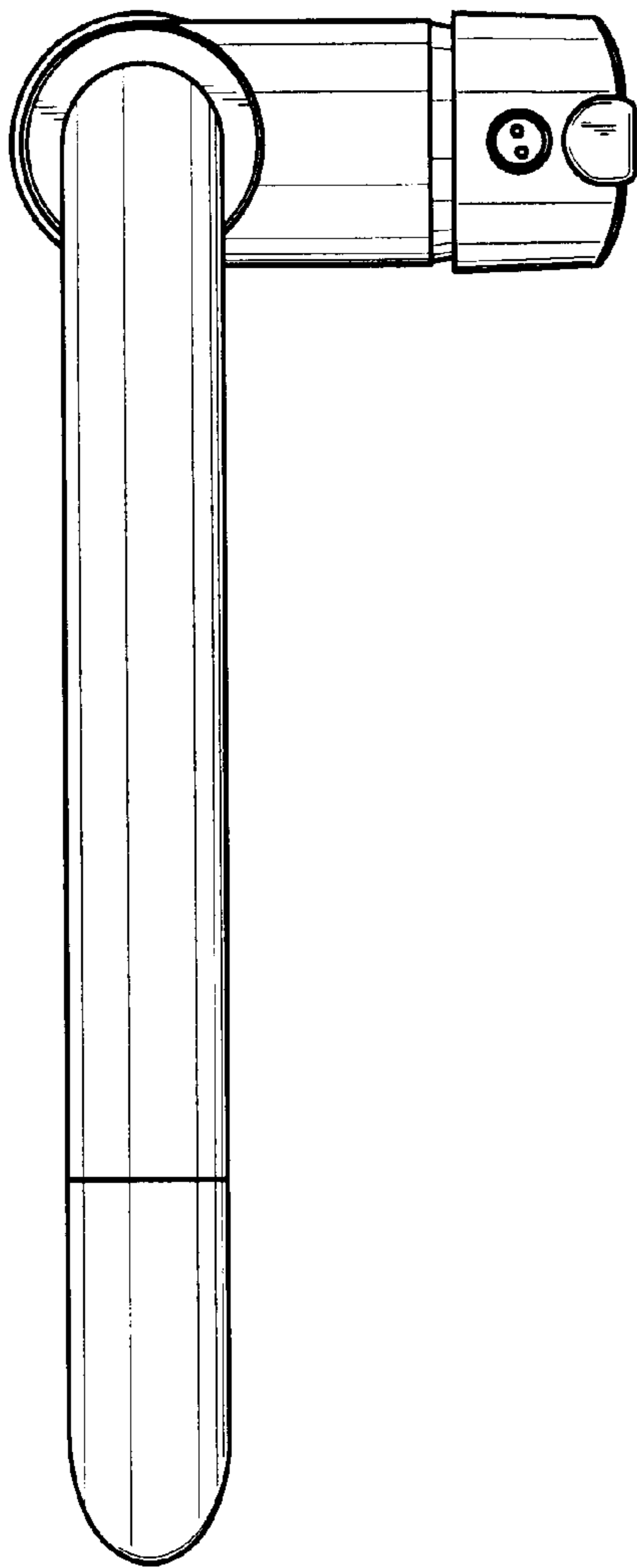


Fig. 13

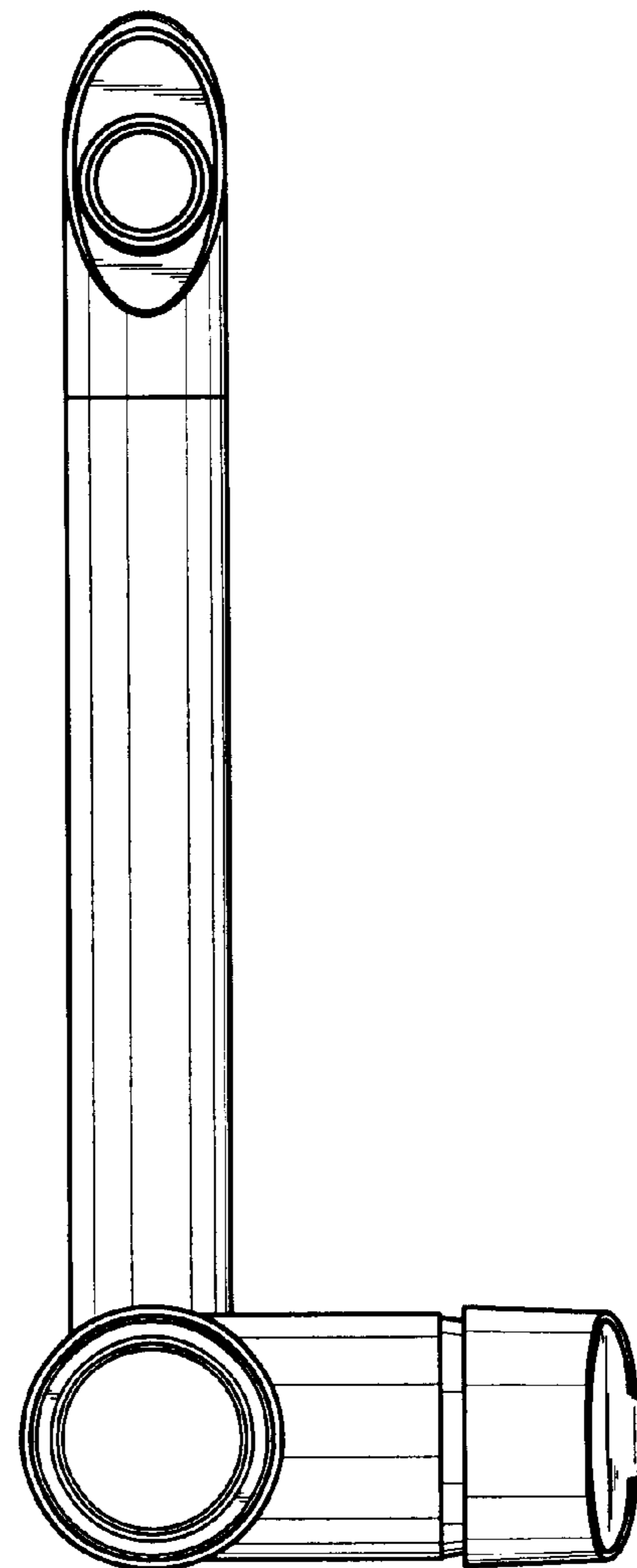


Fig. 14