

US00D517651S

(12) **United States Design Patent**
Theberge

(10) **Patent No.:** **US D517,651 S**
(45) **Date of Patent:** **** Mar. 21, 2006**

(54) **FAUCET LEVERED SPOUT**

(75) Inventor: **Remi Theberge**, Montreal (CA)

(73) Assignee: **Aquabrass Inc.**, Montréal (CA)

(**) Term: **14 Years**

(21) Appl. No.: **29/223,140**

(22) Filed: **Feb. 10, 2005**

(51) **LOC (8) Cl.** **23-01**

(52) **U.S. Cl.** **D23/238**

(58) **Field of Classification Search** D23/238-257;
4/675-678; 137/801

See application file for complete search history.

(56) **References Cited**

U.S. PATENT DOCUMENTS

D465,834 S	*	11/2002	Singtoroj	D23/255
D478,966 S	*	8/2003	Citterio	D23/238
D479,739 S	*	9/2003	Citterio	D23/238
D486,563 S	*	2/2004	Hsieh	D23/255
D488,539 S	*	4/2004	McKeone	D23/255
D503,217 S	*	3/2005	Aubry et al.	D23/255

* cited by examiner

Primary Examiner—Louis S. Zarfaz
Assistant Examiner—Gregory Andoll

(74) *Attorney, Agent, or Firm*—Protections Equinox Int'l;
Franz Bonsang

(57) **CLAIM**

The ornamental design for a faucet levered spout, as shown and described.

DESCRIPTION

FIG. 1 is a top perspective view of a faucet levered spout showing a first embodiment of my new design;

FIG. 2 is a left side elevational view thereof; the right side elevational view is a mirror image thereof;

FIG. 3 is a front elevational view thereof;

FIG. 4 is a bottom plan view thereof;

FIG. 5 is a rear elevational view thereof;

FIG. 6 is a top plan view thereof;

FIG. 7 is a top perspective view of a faucet levered spout showing a second embodiment of my new design;

FIG. 8 is a left side elevational view thereof; the right side elevational view is a mirror image thereof;

FIG. 9 is a front elevational view thereof;

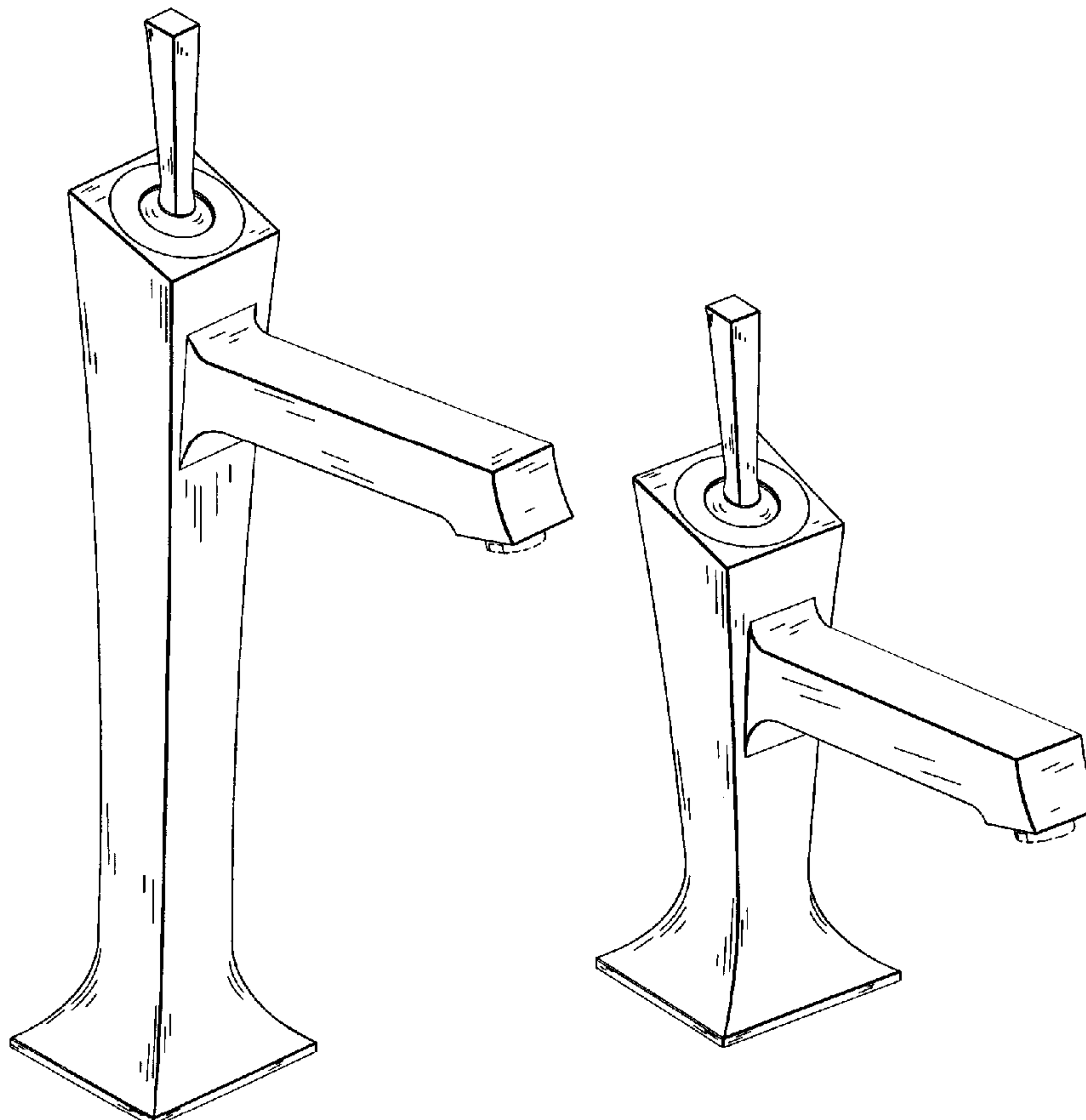
FIG. 10 is a bottom plan view thereof;

FIG. 11 is a rear elevational view thereof; and,

FIG. 12 is a top plan view thereof.

Broken lines showing internal and external components on FIGS. 1, 2, 3, 4, 7, 8, 9 and 10 are for illustrative purposes only and form no part of the claimed design.

1 Claim, 12 Drawing Sheets



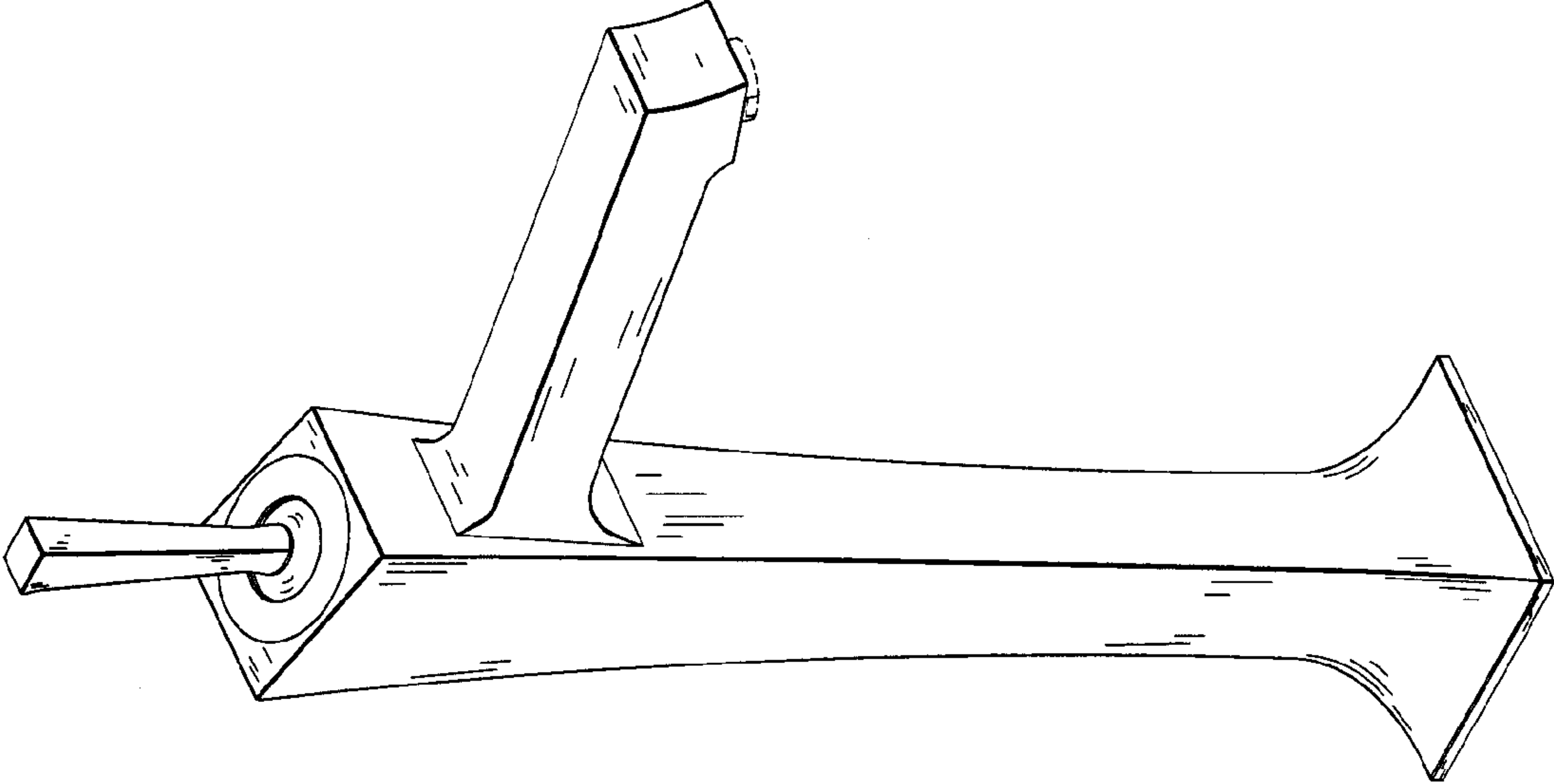


FIG. 1

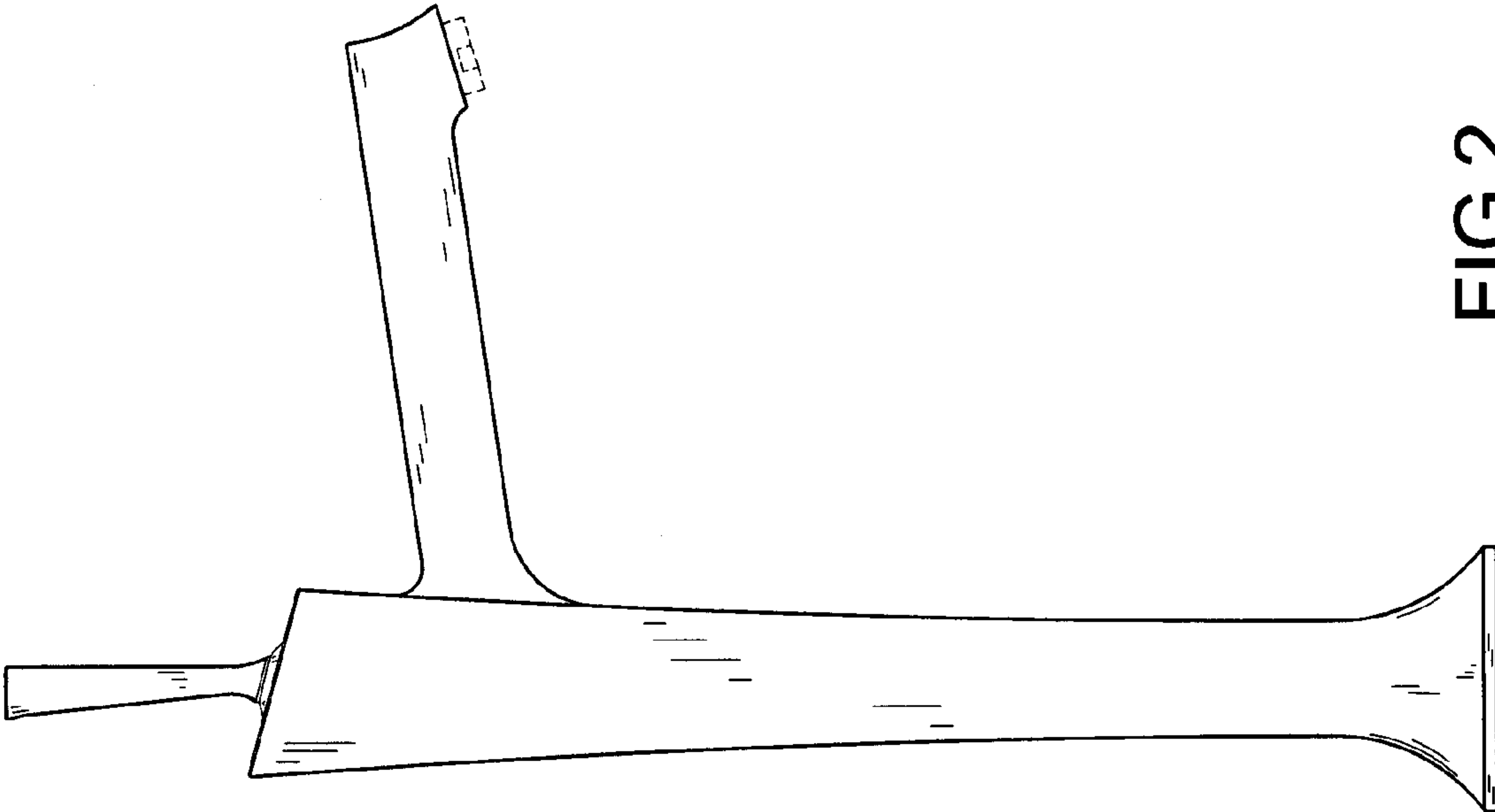


FIG.2

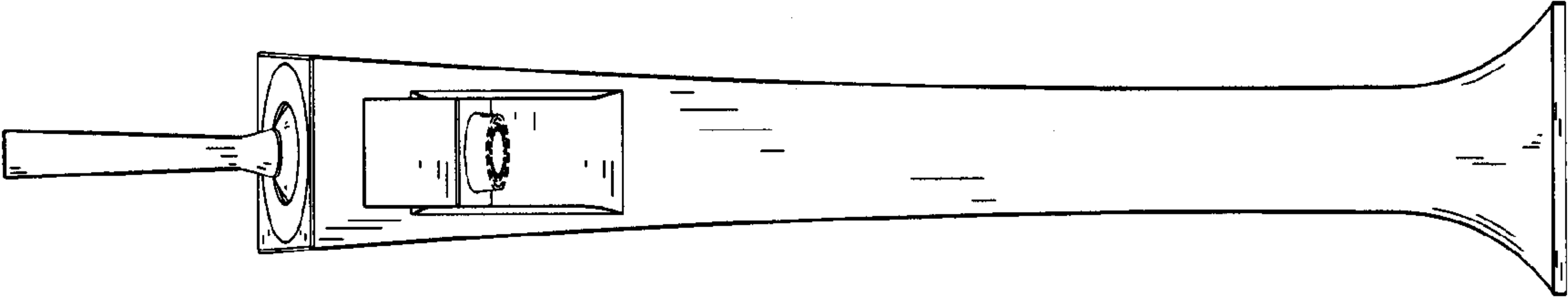


FIG.3

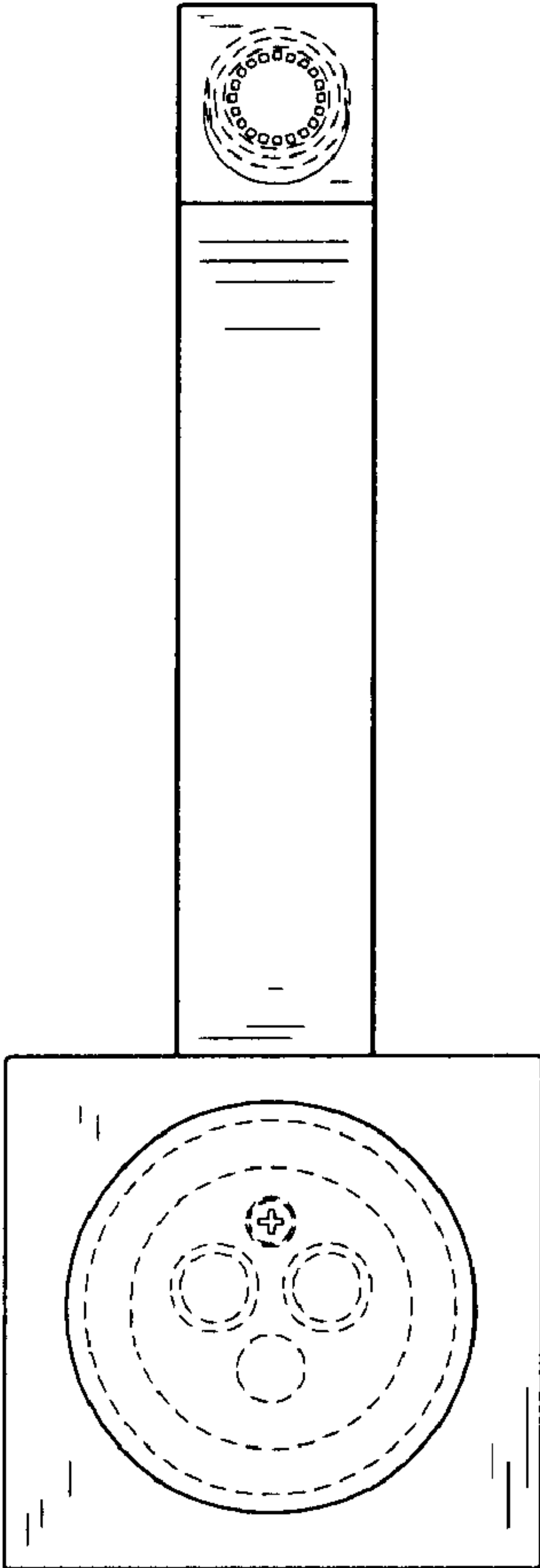


FIG.4

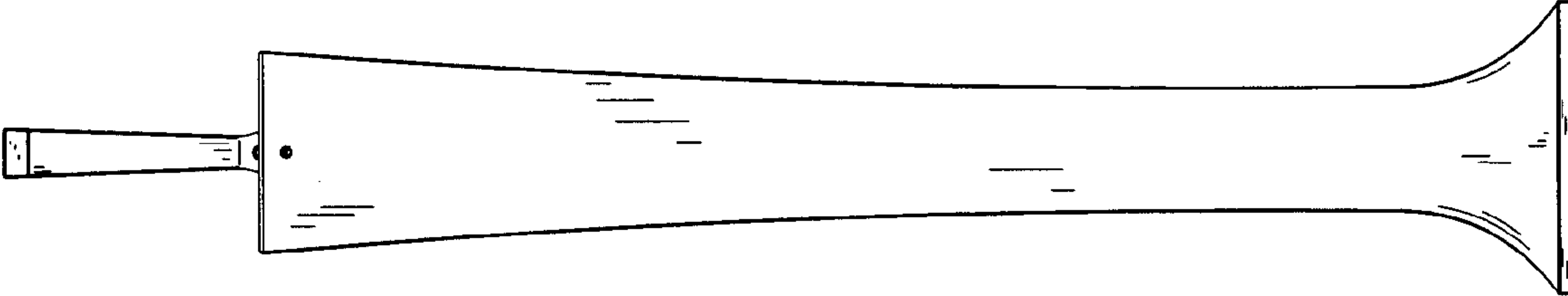


FIG.5



FIG. 6

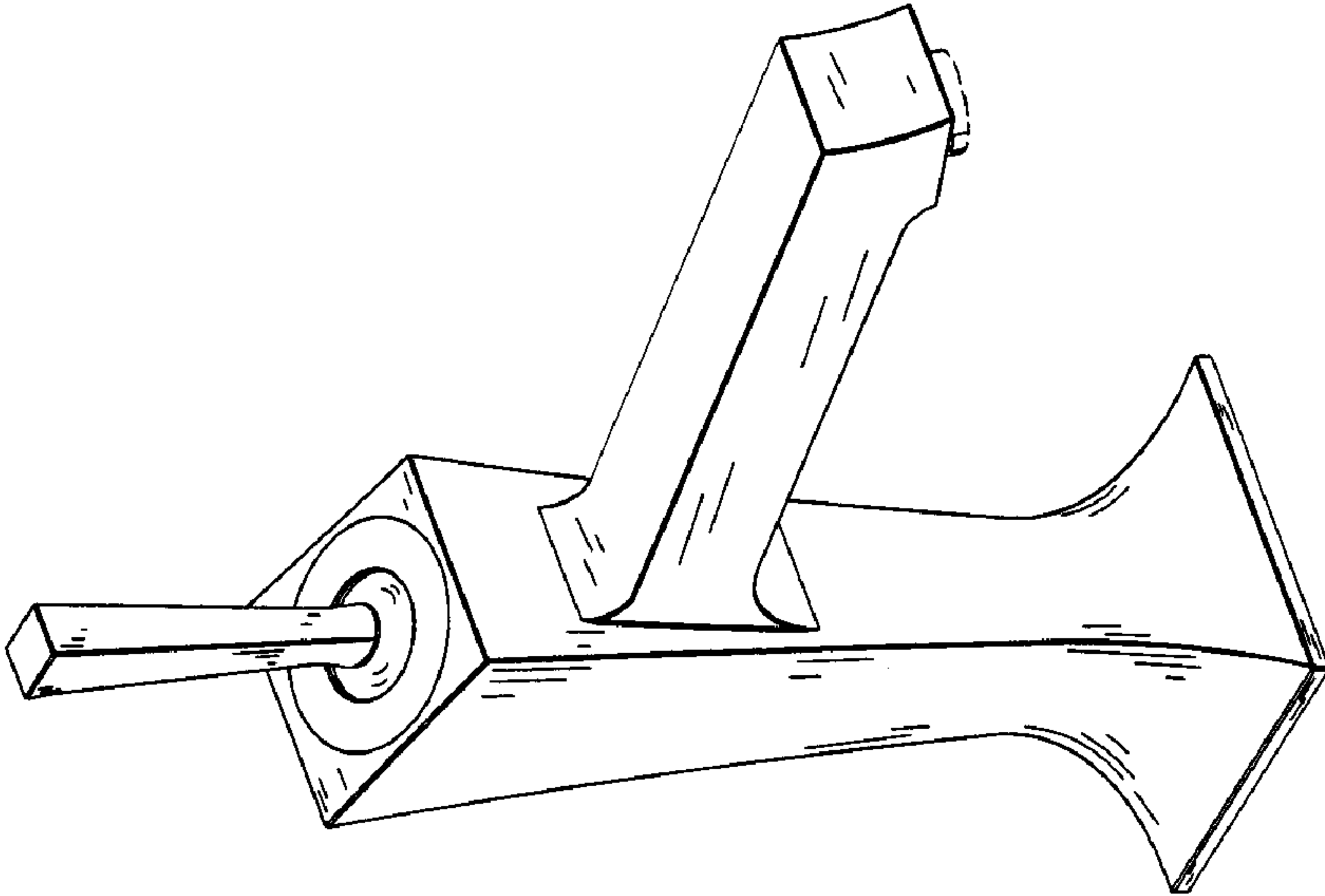


FIG.7

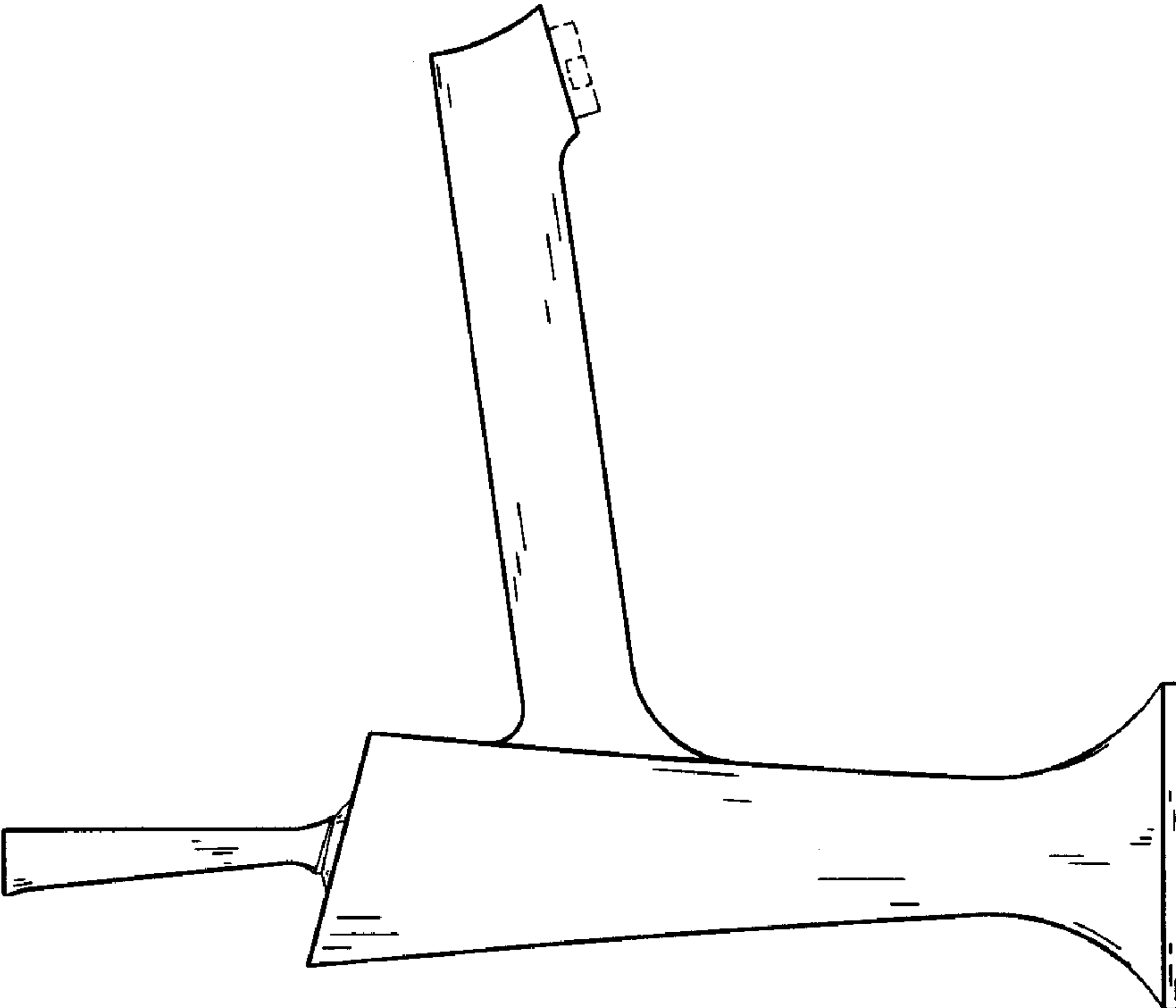


FIG.8

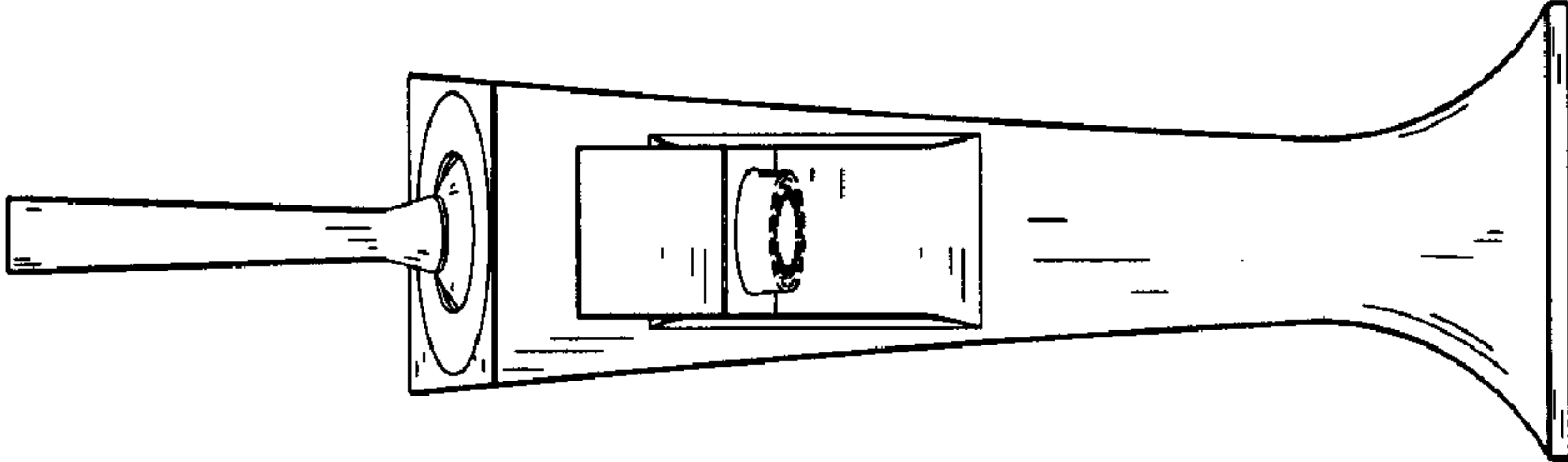


FIG.9

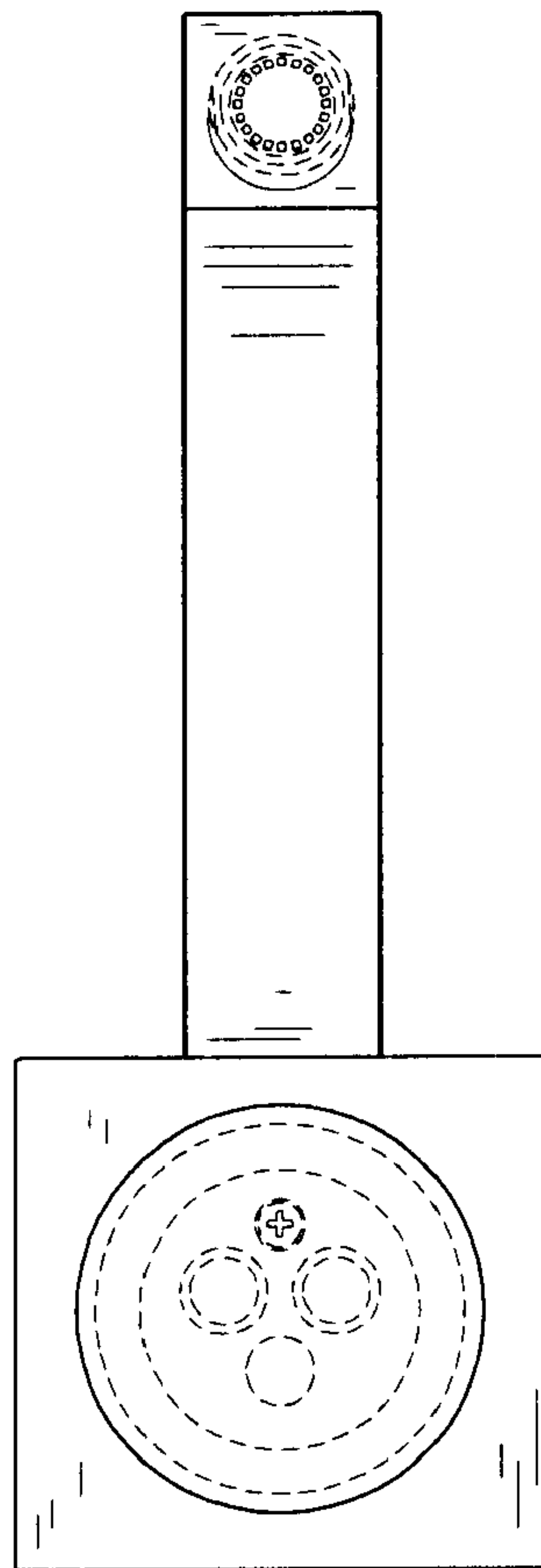


FIG.10

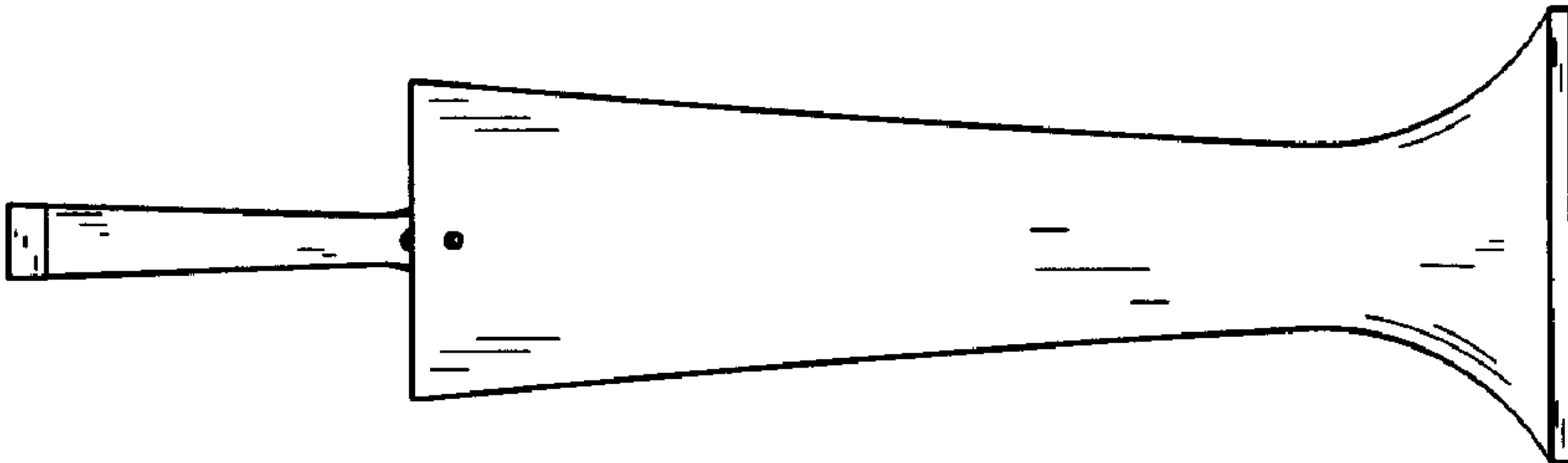


FIG.11

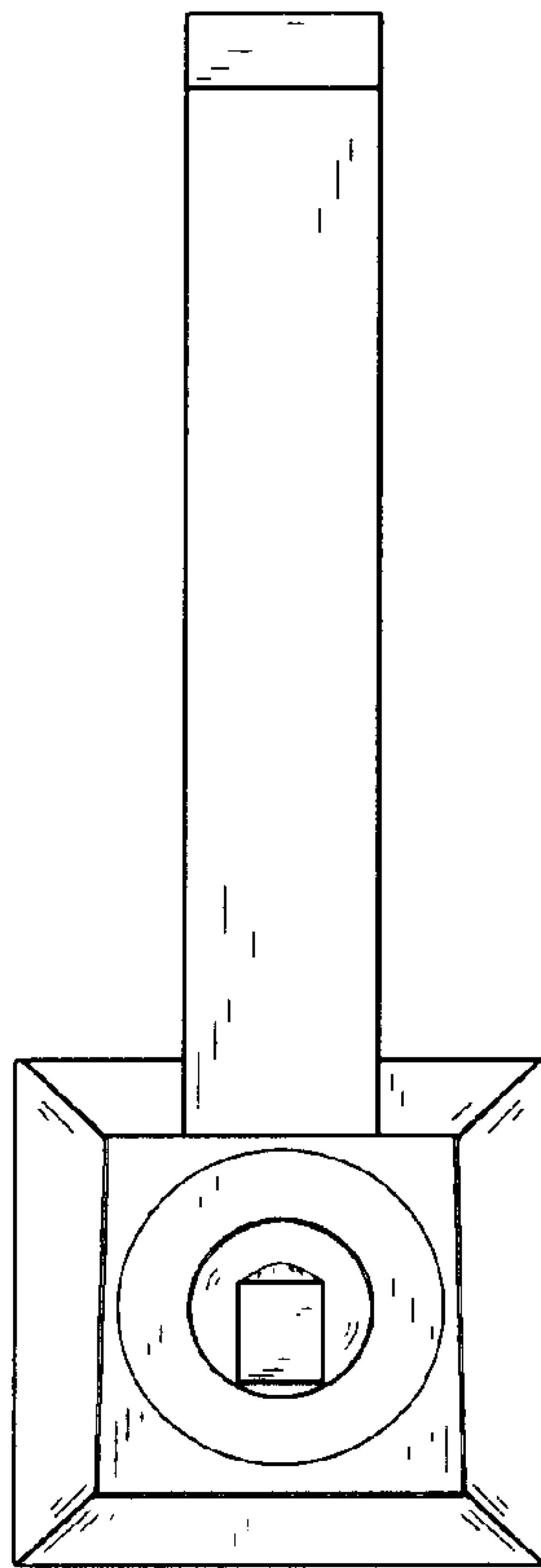


FIG.12