



US00D517650S

(12) **United States Design Patent**  
**Shieh**

(10) **Patent No.:** **US D517,650 S**  
(45) **Date of Patent:** **\*\* Mar. 21, 2006**

(54) **FAUCET DEVICE**

(76) Inventor: **Ming Chun Shieh**, P.O. Box 63-99,  
Taichung, 406 (TW)

(\*\*) Term: **14 Years**

(21) Appl. No.: **29/213,928**

(22) Filed: **Sep. 27, 2004**

(51) **LOC (8) Cl.** ..... **23-01**

(52) **U.S. Cl.** ..... **D23/238**

(58) **Field of Classification Search** ..... D23/238-257;  
4/675-678; 137/801

See application file for complete search history.

(56) **References Cited**

**U.S. PATENT DOCUMENTS**

D300,942 S	*	5/1989	Paul	.....	D23/242
D318,904 S	*	8/1991	Hartkopf	.....	D23/252
D326,505 S	*	5/1992	Kohler et al.	.....	D23/255
D440,637 S	*	4/2001	Lefroy-Brooks	.....	D23/255
D464,406 S	*	10/2002	Gottwald	.....	D23/255

\* cited by examiner

*Primary Examiner*—Louis S. Zarfes  
*Assistant Examiner*—Gregory Andoll

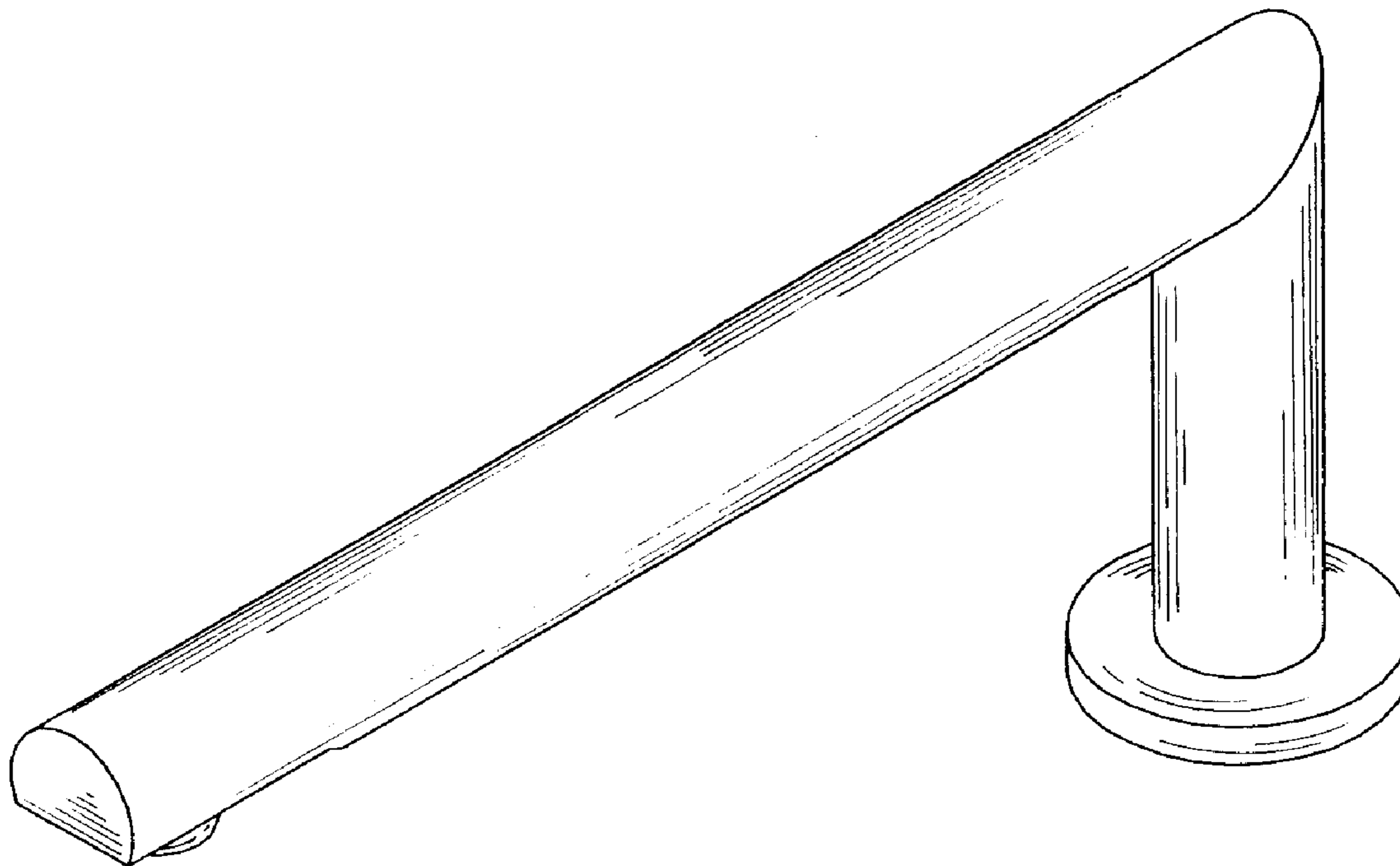
(57) **CLAIM**

The ornamental design for a faucet device, as shown and described.

**DESCRIPTION**

FIG. 1 is a perspective view of a faucet device showing my new design;  
FIG. 2 is a front elevational view thereof;  
FIG. 3 is a rear elevational view thereof;  
FIG. 4 is a top plan view thereof;  
FIG. 5 is a bottom plan view thereof;  
FIG. 6 is a left side elevational view thereof;  
FIG. 7 is a right side elevational view thereof; and,  
FIG. 8 is a perspective view thereof, the control devices depicted by means of broken lines being for illustrative purposes only and forming no part of the claimed design.

**1 Claim, 6 Drawing Sheets**



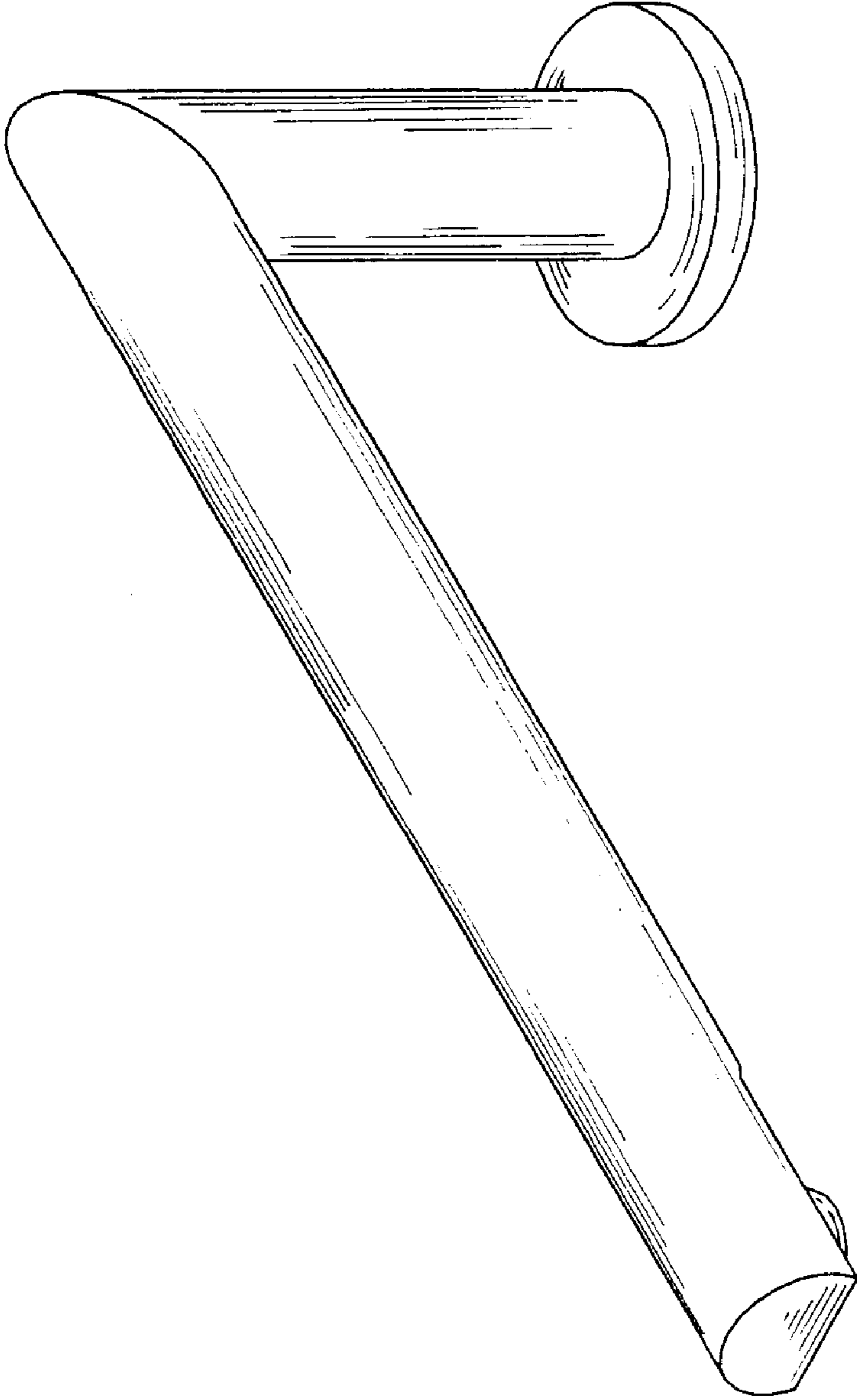


FIG. 1

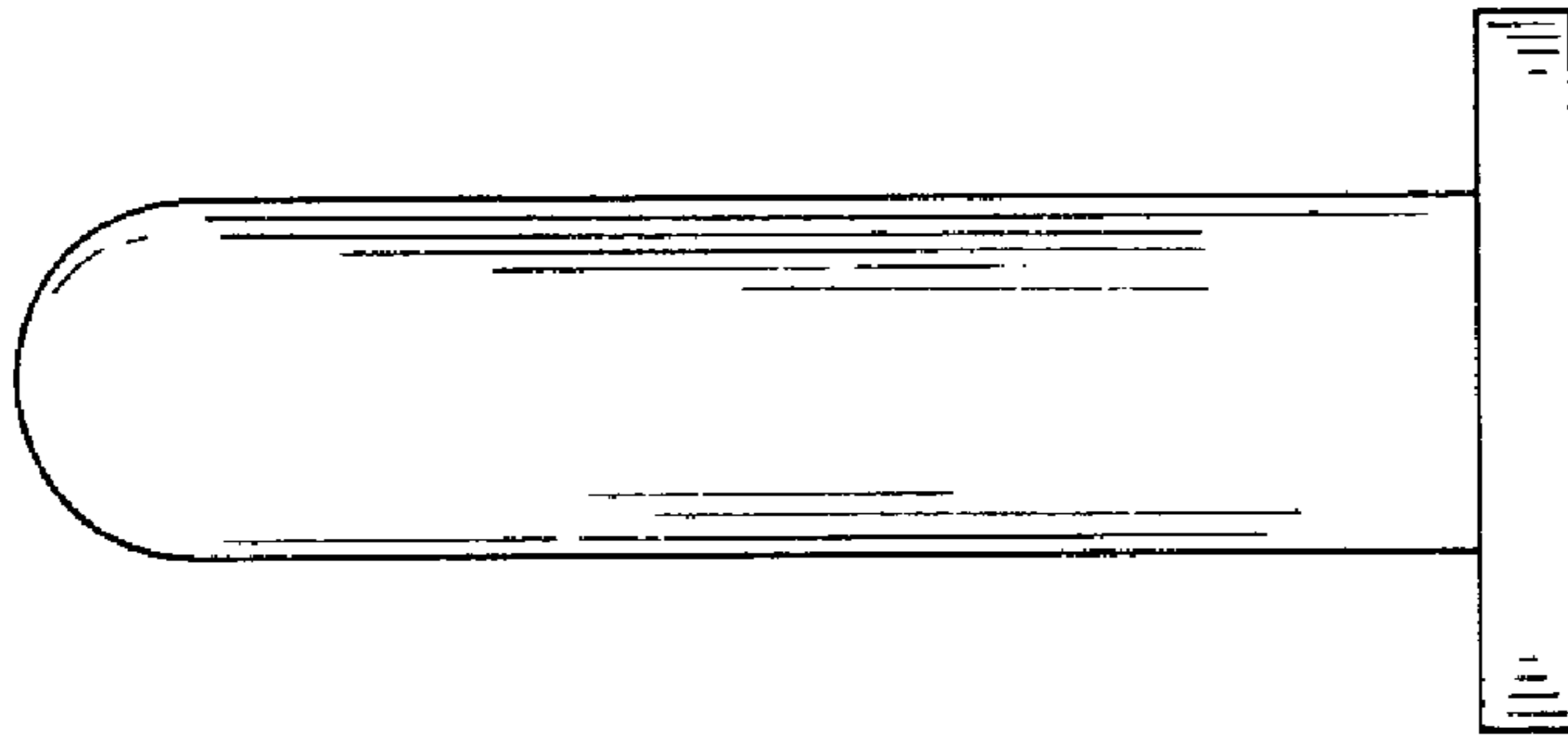


FIG. 3

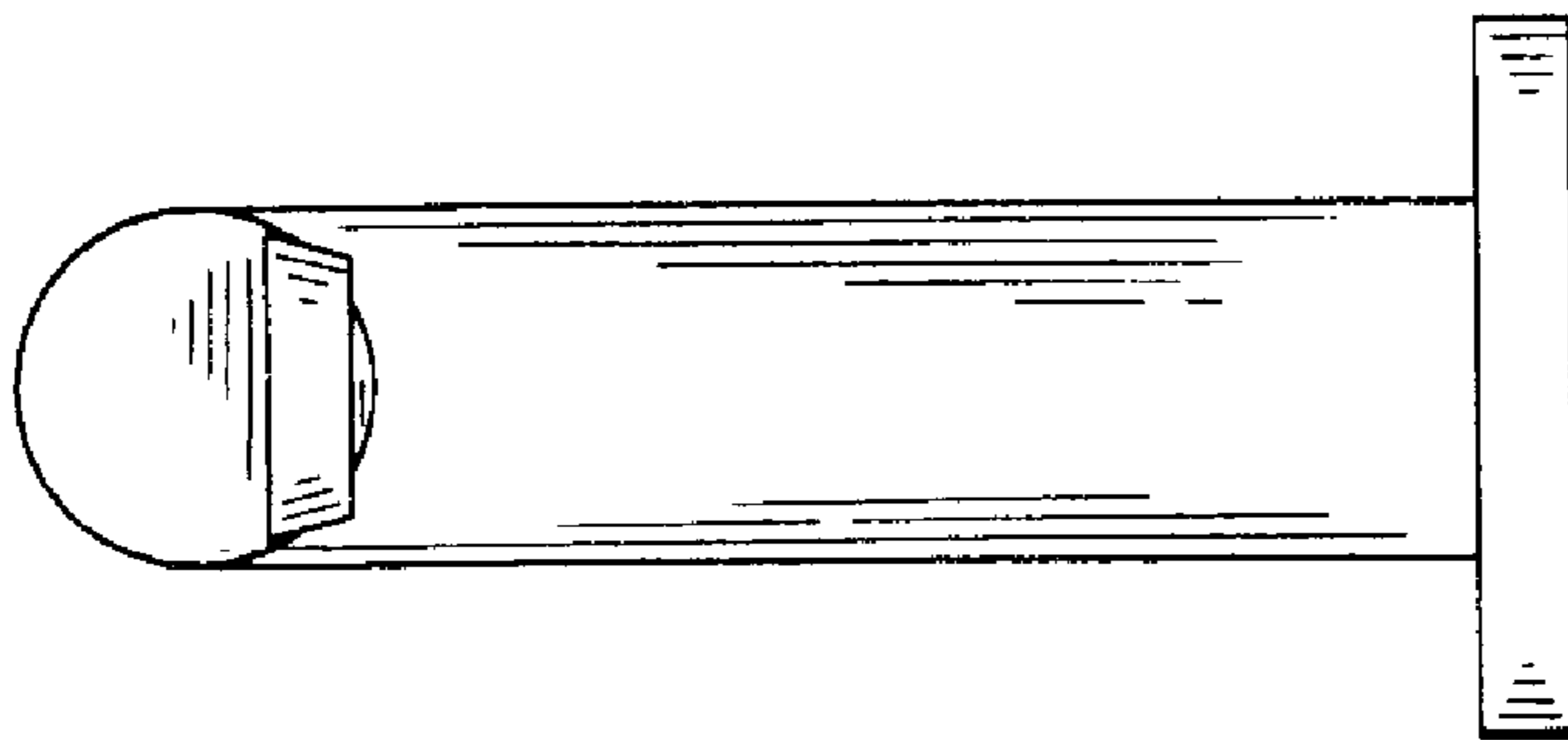


FIG. 2

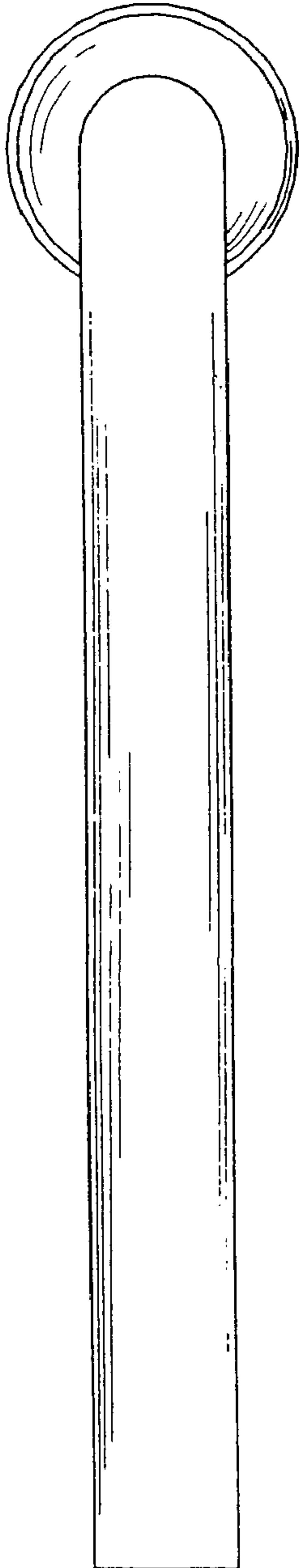


FIG. 4

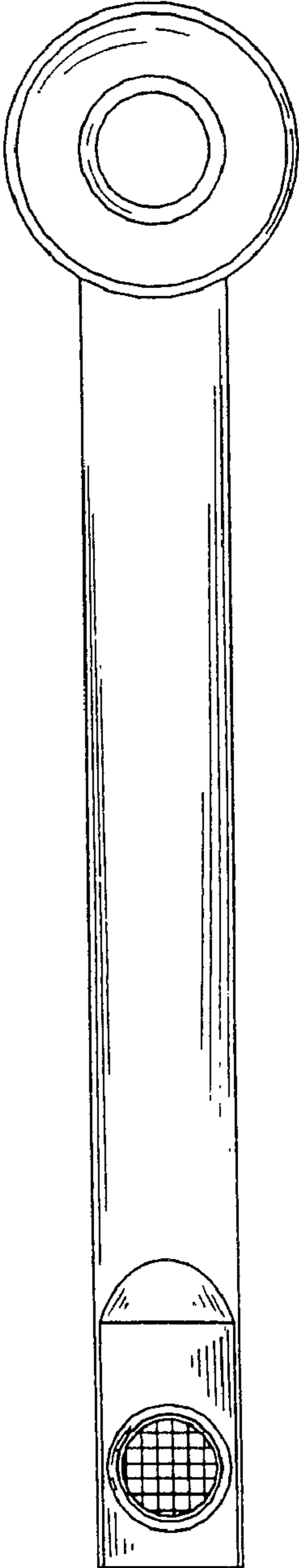


FIG. 5



FIG. 6

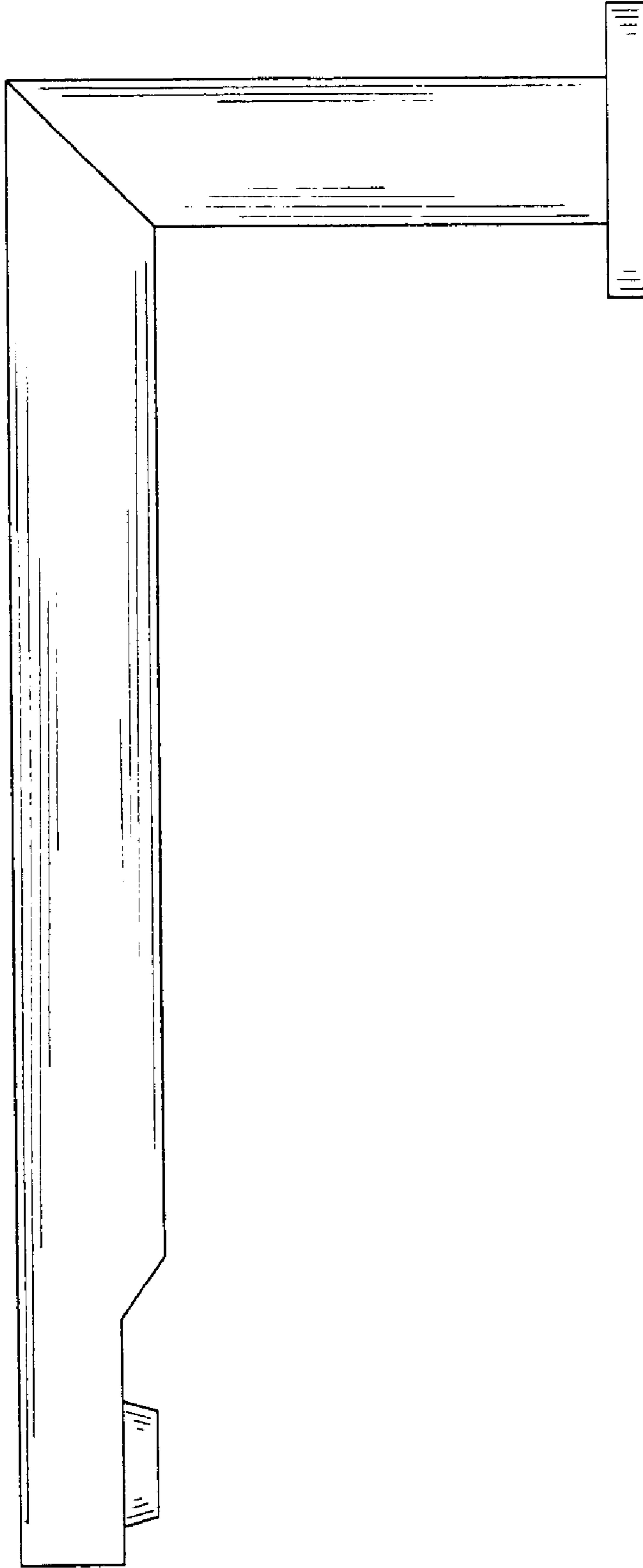


FIG. 7

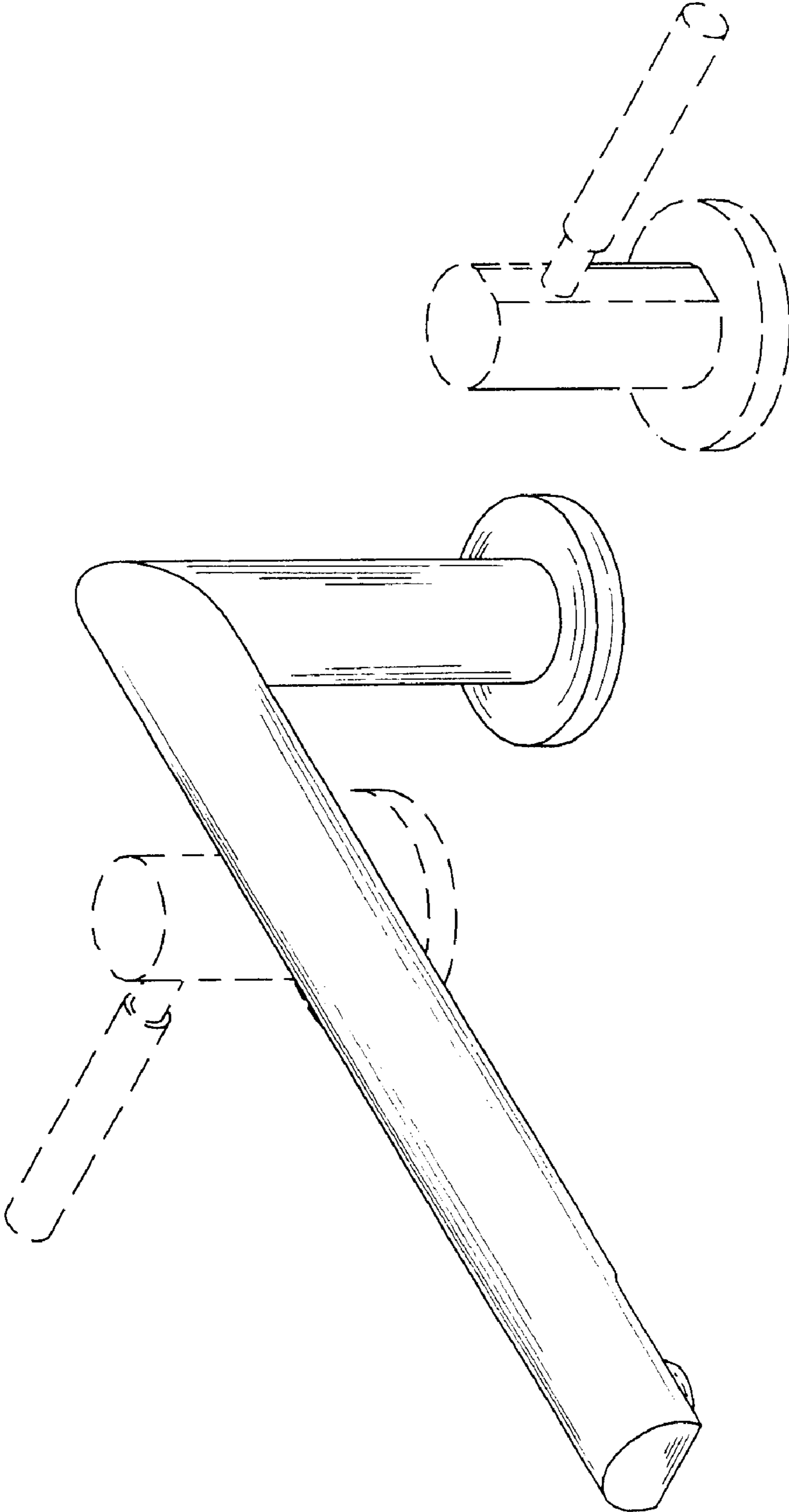


FIG. 8